

INDEVA® MODULO

Design, build and modify your own gripping tool



Scaglia
1838

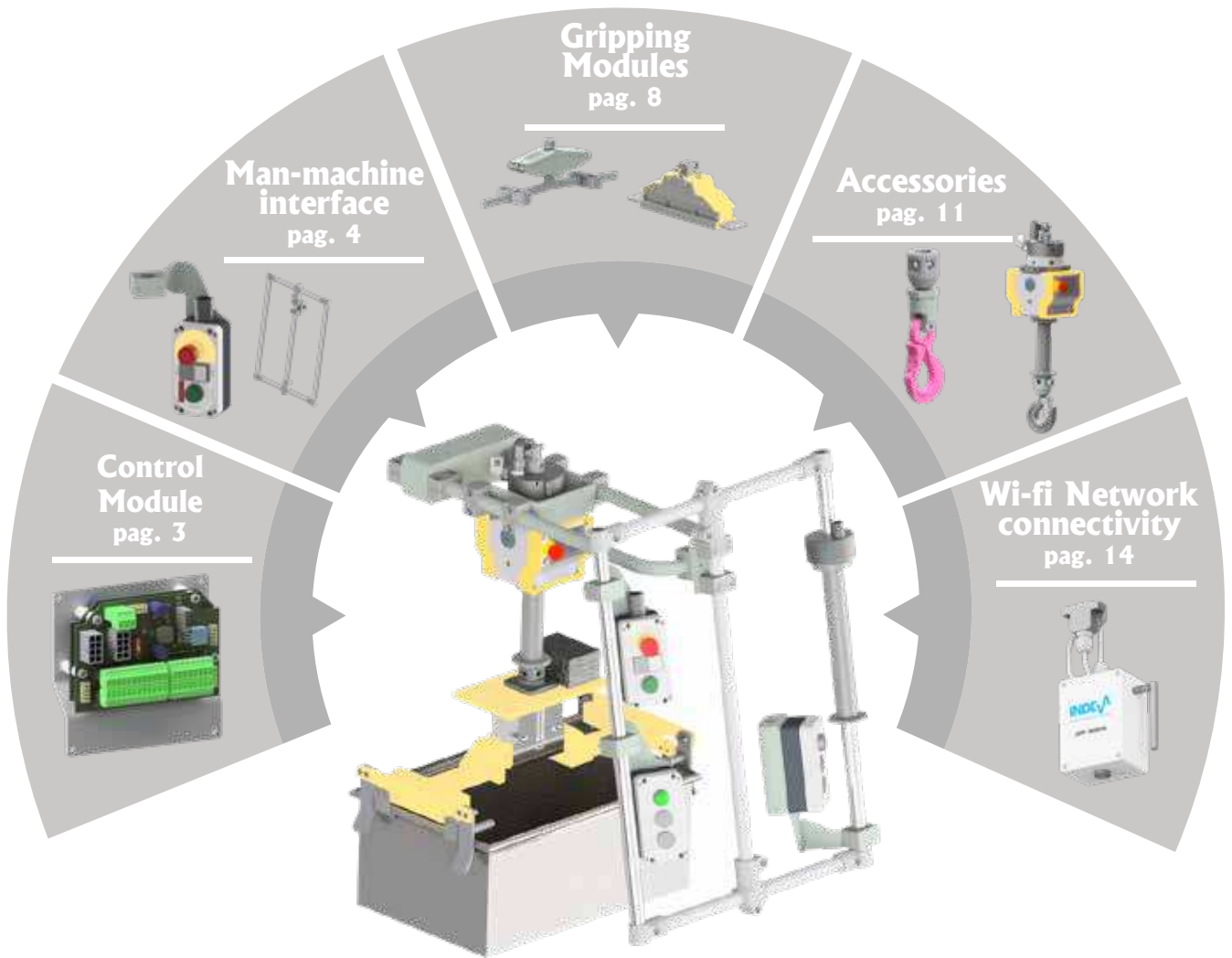
INDEVA®

INTELLIGENT DEVICES FOR HANDLING

INDEVA® Modulo

Complete set of components

INDEVA® Modulo is a range of standard components used to assemble gripping tools suitable for attaching to the Liftronic® Easy tool head. It is easy for customers to design the tool to best suit their needs and then purchase the necessary parts. These standard modules have been tested over many years and are a key part of our continuous improvement and development program.



Choose the Liftronic® Easy that best suits your requirements.



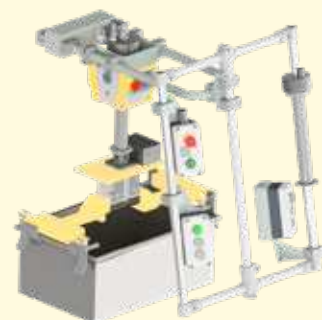
01

YOU design your gripping tool and choose the MODULO components accordingly.



02

YOU assemble the gripping tool.



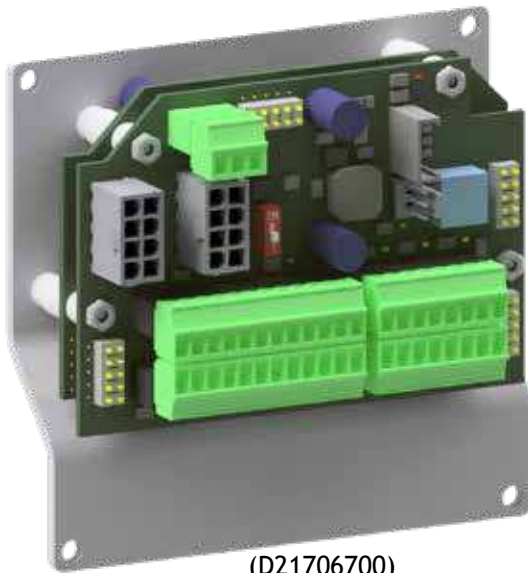
03



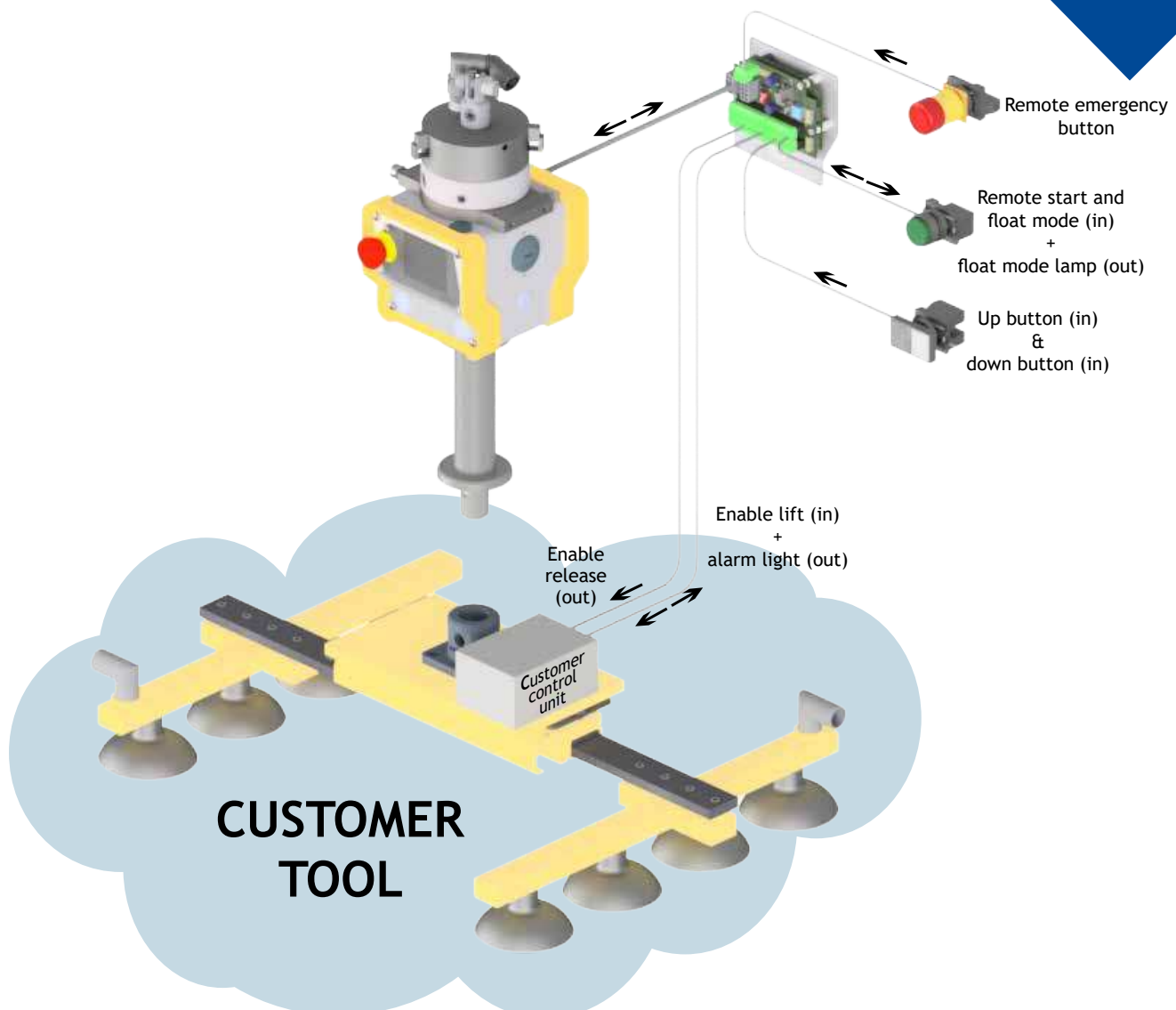
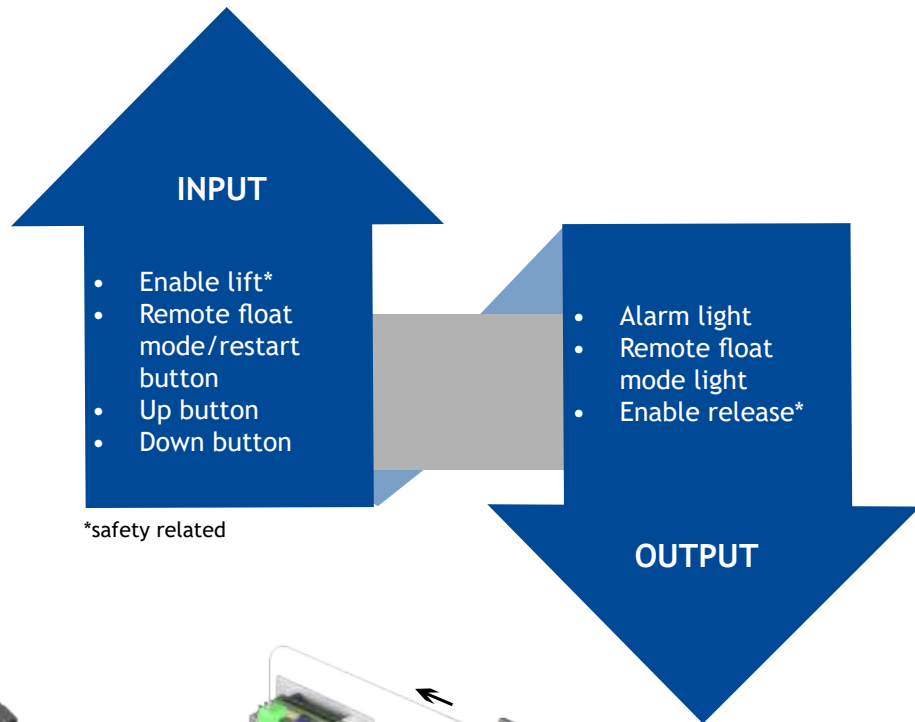
Control Module

Standard I.O. Interface module

The control module, I-CONNECT, allows communication between the lifting unit (Liftronic® Easy) and the gripping tool, by means of 4 INPUT and 3 OUTPUT signals. These signals allow the toolhead options to be controlled from the new gripping tool and also enable the safety functions.



(D21706700)



Man-machine interface

Handles, sub-assembly and components

Vertical sensitive handle
(2 meters connection kit included)



CODE	mm
D21707000	125
D21707001	250
D21707002	500
D21707003	750

*I-Connect kit (D21706700) is required but is not included.

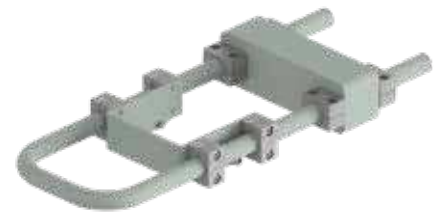
Supports



SOLID BAR CODE	mm	TUBE CODE (UP TO 160Kg)
D23017952000	125	D21706900
D23017952001	250	D21706901
D23017952002	500	D21706902



Interface to apply remote handles
(D21673500)



Frame for remote handle
920X500 mm
easy to resize to your specification
(D21673300)



Horizontal Sensitive Handle
(D21654100)

*I-Connect kit (D21706700) is required but is not included.



Horizontal Handle
(D21654101)



Curved Handle
(D21191782)



Additional buttons
(D21708100)



Tube for remote handle
950 mm
easy to resize to your specification
(D21673400)



Handles, sub-assembly and components

ELECTRICAL BOX			
TYPE	COMPONENT	DESCRIPTION	CODE
		Holding bracket right	D21674101
		Holding bracket left	D21674100
		3 button case	5EMCS044
		Emergency button	D21364306
		Light button	D21364317
		N.O. button	D21364315
		Up/down button	D21364322
		Cap	5EMTEZB2SZ3

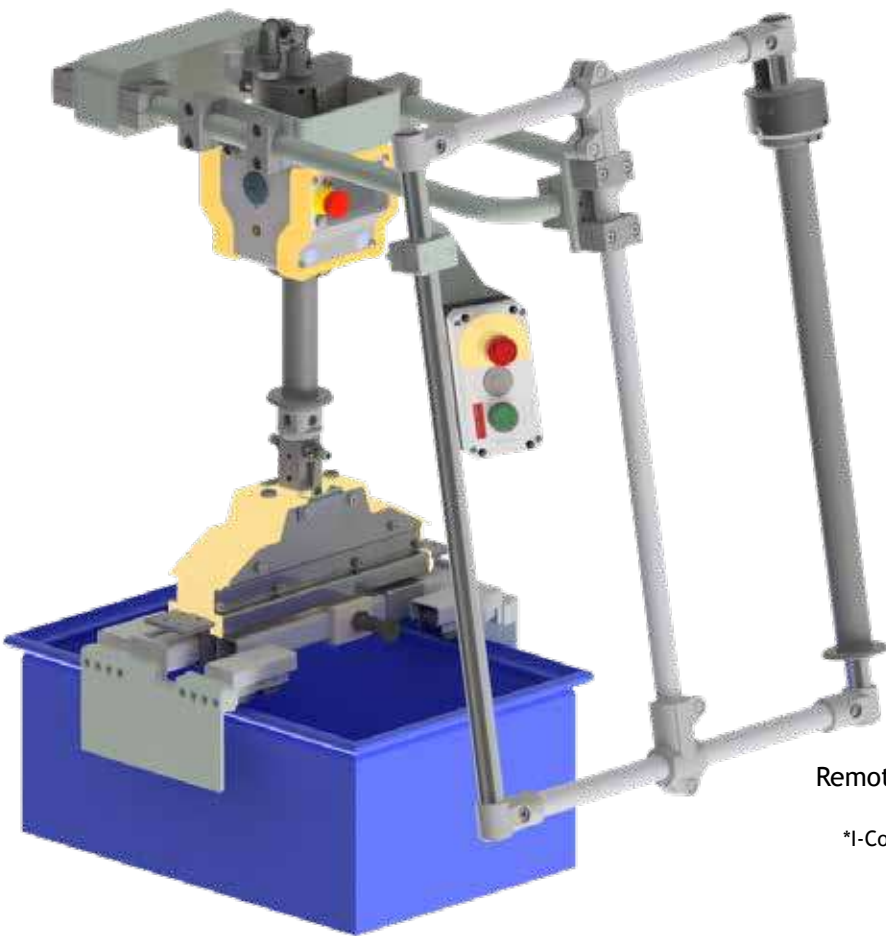
PNEUMATIC BOX			
TYPE	COMPONENT	DESCRIPTION	CODE
		Holding bracket right	D21674201
		Holding bracket left	D21674200
		3 button case	D23012392000
		Emergency button	D21364336
		Pneumatic light	5ARVS001
		Pneumatic button	D21364320
		Up/down pneumatic button	D21364344
		Cap	5EMTEZB2SZ3

Man-machine interface

Remote controls - complete unit

This module is composed of a pre-wired push button box with STOP and up/down push buttons and lighted float mode button. This is complete with cable and control head connector. This module is used on remote handles or on custom made gripping tools.

Stop and float mode remote push buttons
(D21654203)



Remote up-down, stop and float mode push buttons
(D21706800)

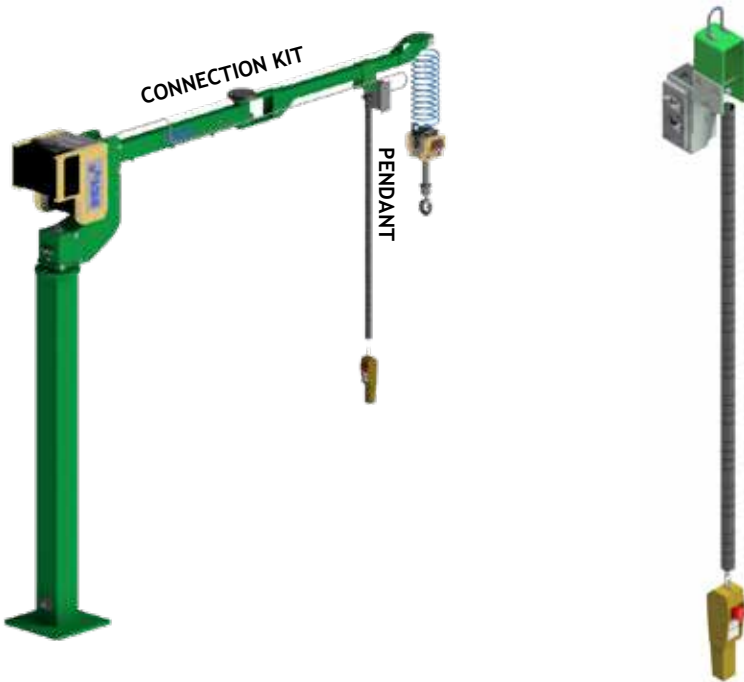
*I-Connect kit (D21706700) is required but is not included.



Pendant - complete unit

The pendant control provides up/down and STOP functions and is ideal for those applications where the main vertical sensitive handle is not easily accessible. Pendant cable, 4.5 m long, included.

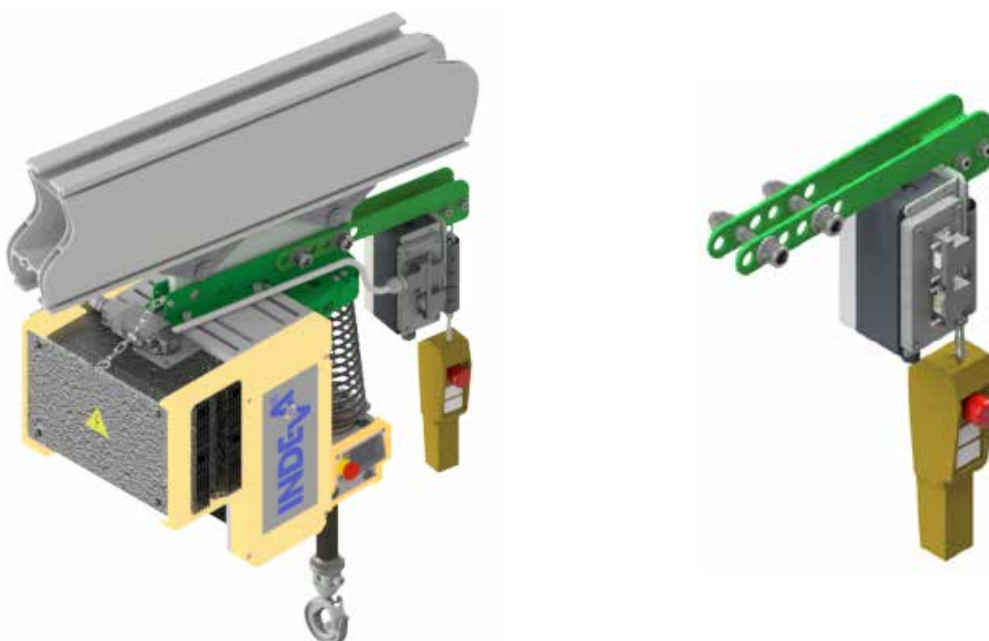
Manipulator with arm



COLUMN PENDANT KIT	
LIGHT / HEAVY	EXTRA
D21675905	D21675906

CONNECTION KIT (ONLY FOR COLUMN VERSION)	
ARM LENGTH (m)	CODE
2.5	D21255221P
3	D21255226P
3.5	D21255231P
4	D21255236P
4.5	D21255241P

Rail mounted

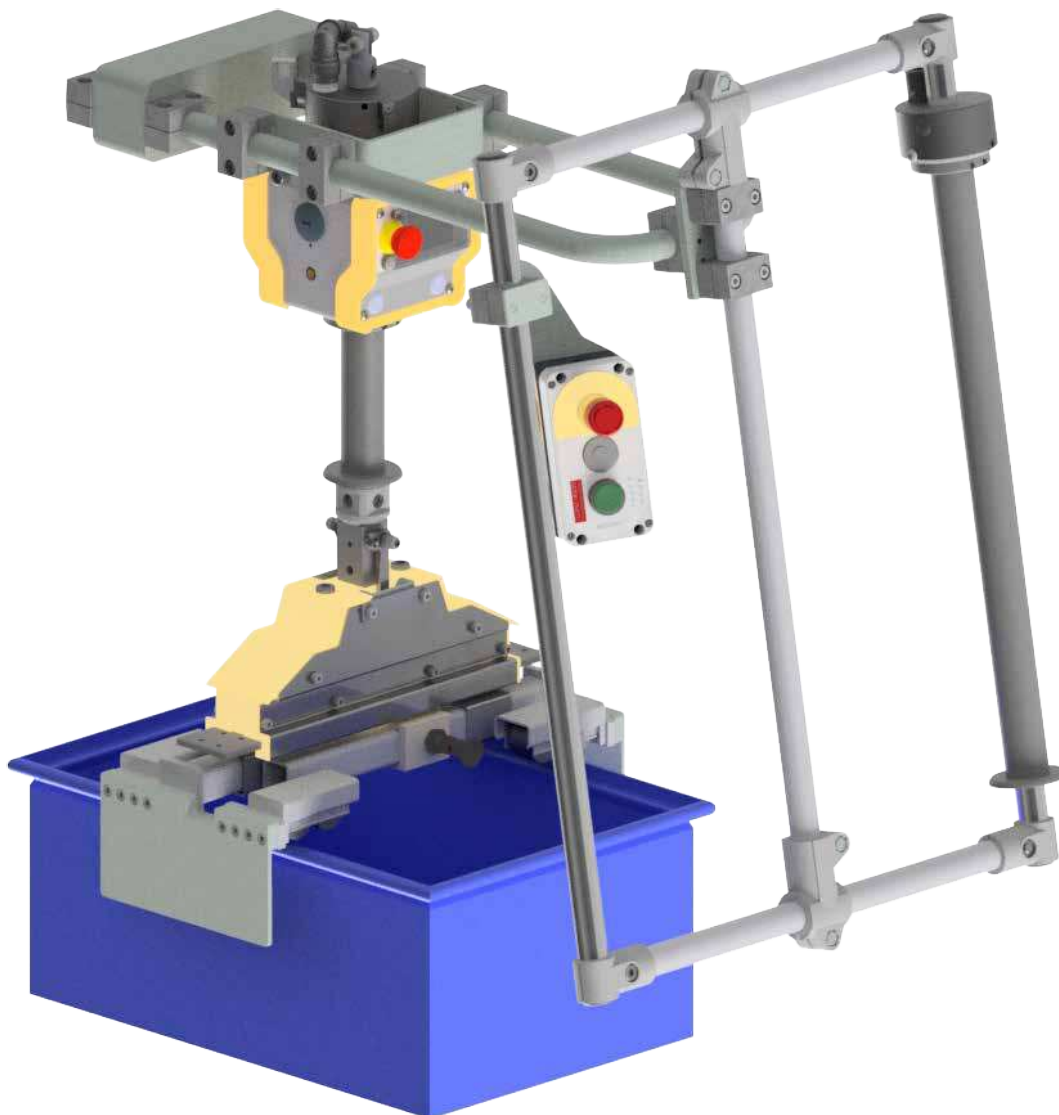



Rail mounted pendant complete with connection kit (D21675904)

Gripping modules

Linear pantograph

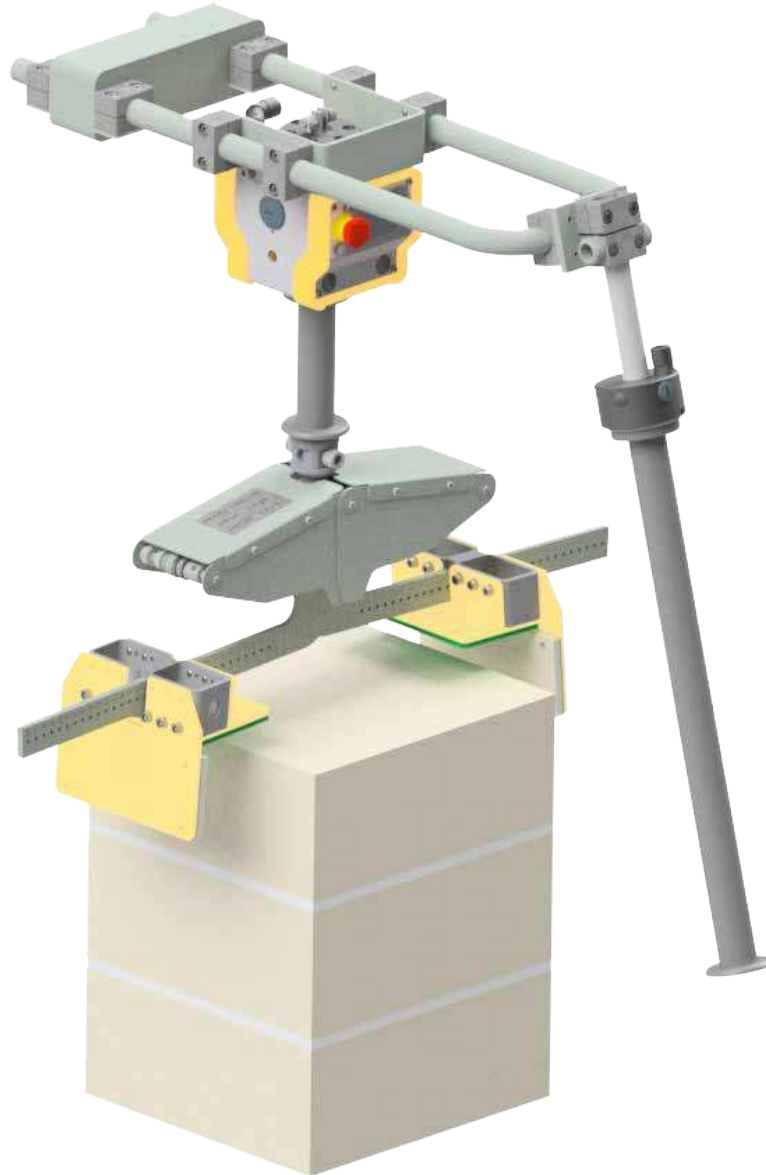
By using an INDEVA® linear pantograph you can handle loads of different sizes by simply and quickly adjusting the jaw stroke. Jaws are not included.





	PLASTIC	STEEL	STEEL EXTRA STROKE
MODELS			
Code	D21707200	D21707201	D21707202
Capacity max (Kg)	100	150	150
Total stroke (mm)	50	54	91
Minimum stroke (mm)	25	27	61

Scissor pantograph

The INDEVA® Scissor Pantograph Chuck allows easy adjustment to a wide range of load sizes. It is complete with a safety cover for the prevention of injury and two adjustable jaw sliders. Jaws are not included.

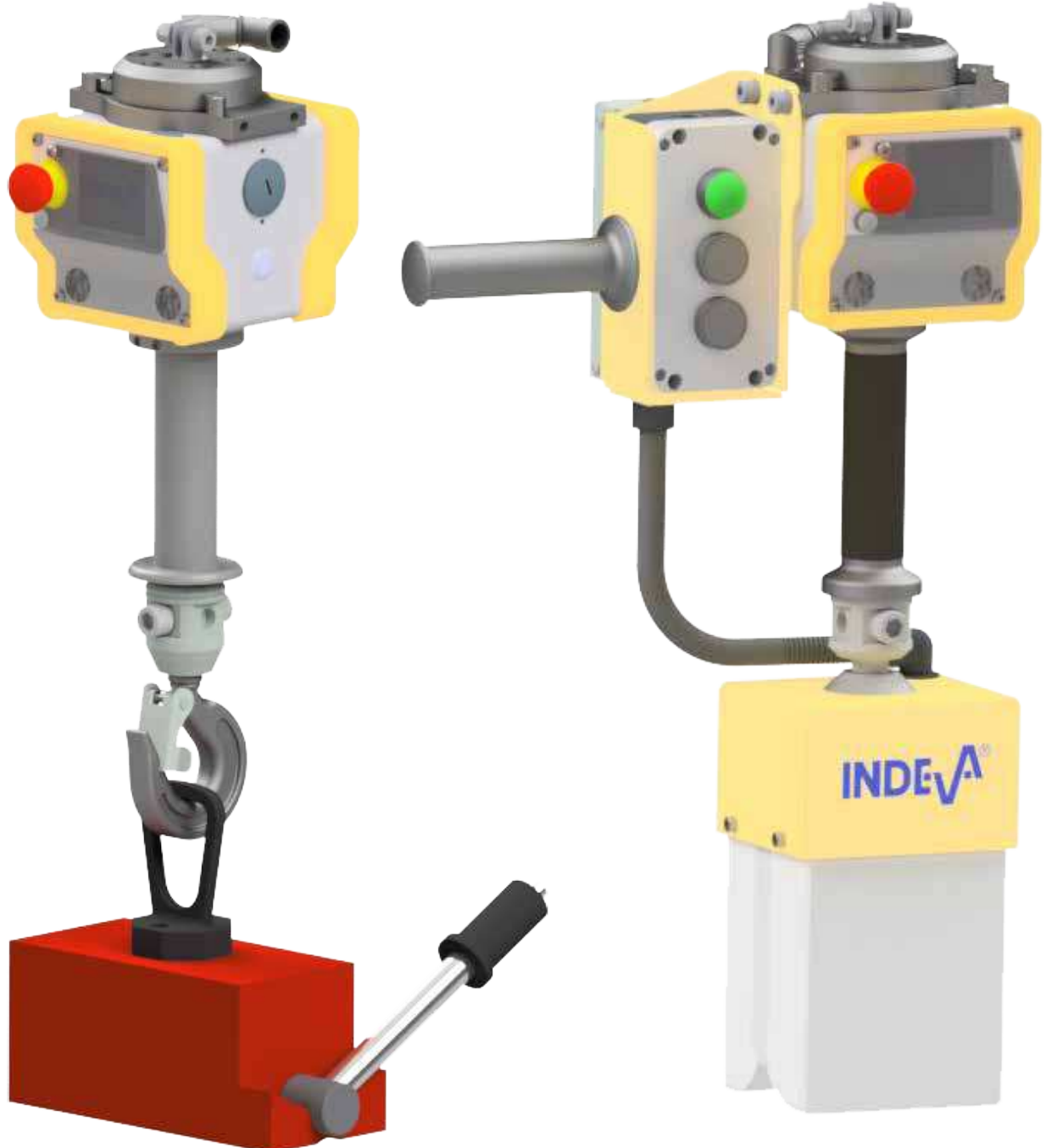


	LIGHT	HEAVY
MODELS		
Code	D21707300	D21707301
Capacity max (Kg)	125	210
Total stroke (mm)	700	800
Minimum stroke (mm)**	150	45

Gripping modules

Magnet Gripping tools

Two different types of magnets are available for handling metal parts up to 250 Kg.



Manually operated magnet
Available in 2 sizes:
- capacity 125 Kg (5EMEM1C17)
- capacity 250 Kg (5EMEM1C18)

Pneumatically driven magnet
capacity 125 Kg
(D21706200)

Accessories

Connection Elements



A variety of connection elements are available for coupling your gripping tool to the Liftronic® Easy tool head.



Quick coupling
For quick interchange of gripping tools.
(D21470702)



Threaded connection
To be screwed to gripping tool
Max 160 Kg
(D23000304036)



Stainless steel hook
Max 160 Kg
(2ACGA00188)



Standard hook
Max 320 Kg
(2ACGA00189)



Welded connection
To be welded to gripping tool
Max 320 Kg
(D23000304040)



Endless rotating hook
Max 320 Kg
(2ACGA10108)



Endless rotation joint
Available with endless or limited rotation.
Max 320 Kg
(2ACAT00178)

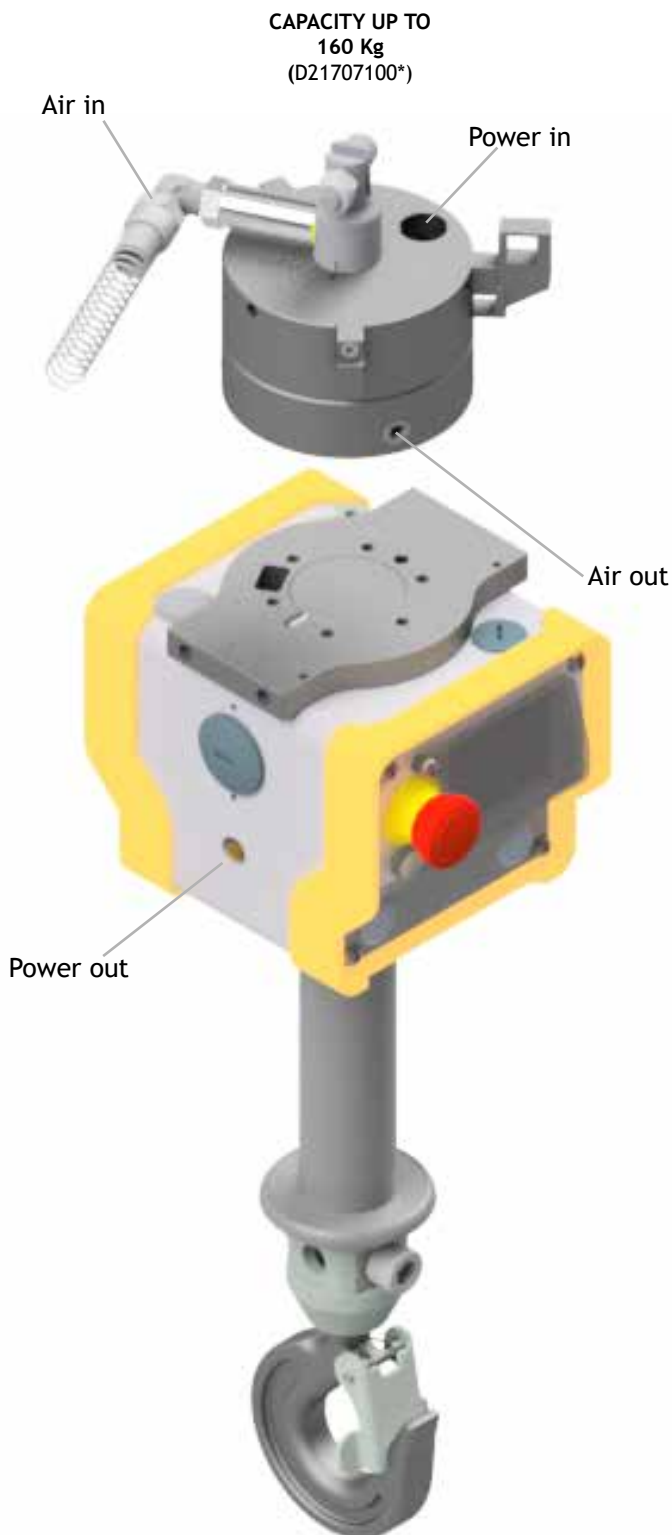


Threaded connection attached by bolts to gripping tool.
Max 320 Kg
(D23000304039)

Accessories

Continuous swivel joint

Air and electrical connections via a continuous swivel joint at the toolhead prevent cables from tangling.



*Included air kit connection

Air kit

The air kit provides a compressed air supply to the tool head via a spiral hose and is complete with filter and pressure gauge.

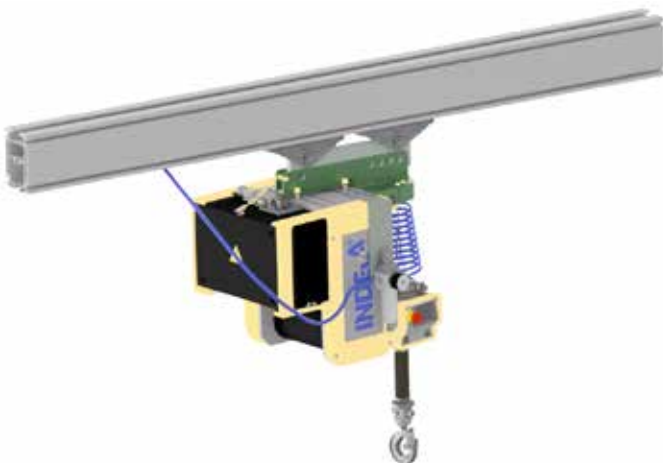
Manipulator with arm



COLUMN MOUNTED AIR KIT		
CAPACITY	WITH SWIVEL JOINT	WITHOUT SWIVEL JOINT
Up to 80 Kg	D216751XXX*	D216750XXX*
Between 81-320 Kg	D216753XXX*	D216752XXX*

*XXX	ARM LENGTH (MT)
250	2
300	2.5
350	3
400	3.5
450	4
500	4.5

Rail mounted



RAIL MOUNTED AIR KIT		
CAPACITY	WITH SWIVEL JOINT	WITHOUT SWIVEL JOINT
Up to 80 Kg	D21674700	D21674600
Between 81-320 Kg	D21674900	D21674800

WI-FI Network Connectivity

App-Indeva

The App-INDEVA is designed in house and is suitable for Android smartphone and tablet. Connected to the manipulator via Wi-Fi, it features Real Time Data Collection which can be analysed with the results being delivered to the operator, maintenance technician or a remote Indeva service centre.

App-Indeva: (D21675700)

N.B. should you wish to purchase both devices (App-Indeva and INDEVA® Gateway) please use article code D21675702

- Virtual Indeva service engineer always available
- Reduced time spent on diagnosis and trouble shooting by your staff
- Reduced time communicating with your Indeva service centre
- Reduced time for repairs by Indeva staff



App-Indeva

Box App-Indeva
fixed to Liftronic® Easy

INTERNET

INDEVA
INTELLIGENT DEVICES FOR HANDLING
SERVICE



INDEVA® GATEWAY

INDEVA® Gateway, allows real time data exchange with the Customer IT System through the Company Wi-Fi network and allows visualisation of production data by means of interface software.

INDEVA® Gateway:(D21675701)

N.B. should you wish to purchase both devices (App-Indeva and INDEVA® Gateway) please use article code D21675702



Box INDEVA® Gateway fixed to Liftronic® Easy

- Data exchange with Customer's IT System
- Consistent availability of data on customer network in accordance with industry 4.0
- Increased production flexibility: it is possible to produce more product types in less time at lower cost
- Enhanced Planning and optimised decision making thanks to production data availability in real time
- Enhanced Productivity and more efficient use of human resources

CUSTOMER
WI-FI

Other customer
machines

Server



PRODUCTION
PLANNING





Scaglia INDEVA
Italy

Scaglia INDEVA SpA
Headquarters and Production Unit
Via Marconi, 42
24012 Val Brembilla (BG)
Tel. +39 0345 59 411
Fax +39 0345 59 500
info@it.indevagroup.com
www.indevagroup.it



Scaglia INDEVA
Germany

Scaglia INDEVA GmbH
Esslinger Str. 26
D-73249 Wernau
Tel.+49 (0) 7153 55049-0
Fax +49 (0) 7153 55049-69
info@de.indevagroup.com
www.indevagroup.de



Scaglia INDEVA
France

Scaglia INDEVA SARL
215 Rue Henry Barbusse
95100 Argenteuil
Tel.: +33 (0) 1 39 19 30 30
Fax: +33 (0) 1 39 19 63 24
info@fr.indevagroup.com
www.indevagroup.fr



Scaglia INDEVA
United Kingdom

Scaglia INDEVA Ltd
Coney Green Business Centre, Clay Cross
Chesterfield, Derbyshire S45 9JW
Tel. +44 (0) 1246 25 23 33
Fax +44 (0) 1246 25 23 34
info@uk.indevagroup.com
www.indevagroup.co.uk



Scaglia INDEVA
Sweden

SCAGLIA INDEVA Nordic AB
Torbornavägen 24
253 68 Helsingborg
Tel. +46 (0) 424002460
info@se.indevagroup.com
www.indevagroup.se



SIT INDEVA
United States

S.I.T. INDEVA Inc.
3630 Green Park Circle
Charlotte, NC 28217
Tel. +1 704 357 8811
Fax +1 704 357 8866
info@sit-indeva.com
www.indevagroup.com



SIT INDEVA
P. R. of China

SIT INDEVA (Shanghai) Ltd
Shanghai Nanhui Industrial Park
#2 Building, No 269 YuanZhong Rd. 201300
Tel. +86 (21) 5108 2206 - 107
Fax +86(21) 6486 3511
info@cn.indevagroup.com
www.indevagroup.cn