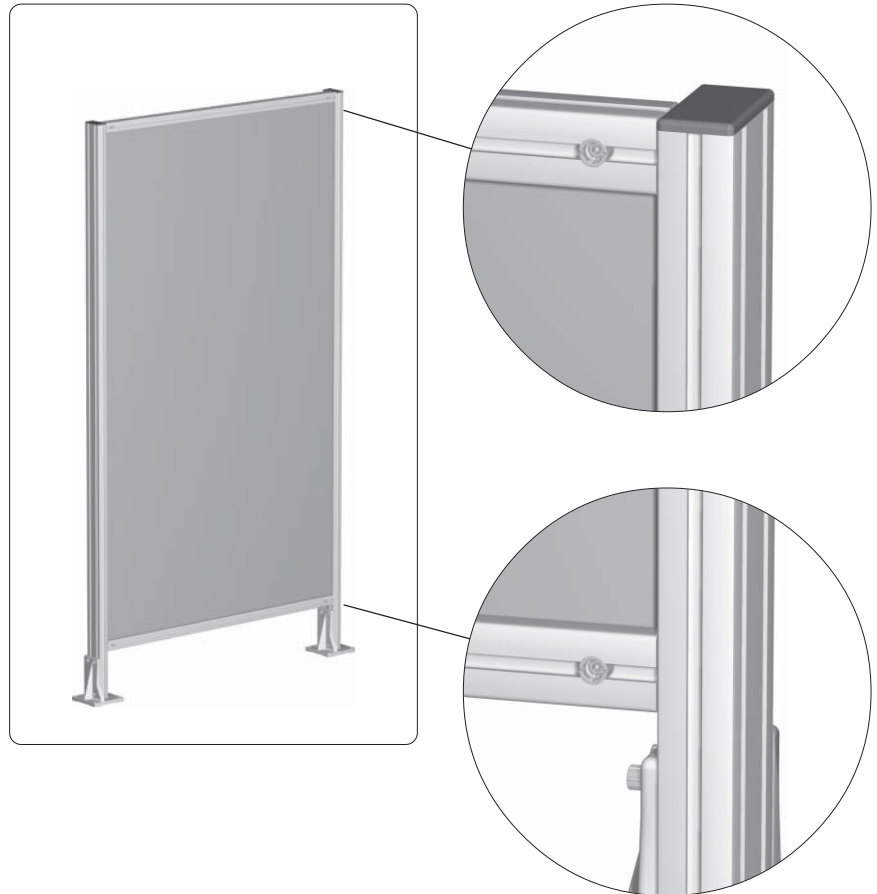




## Protective Barriers

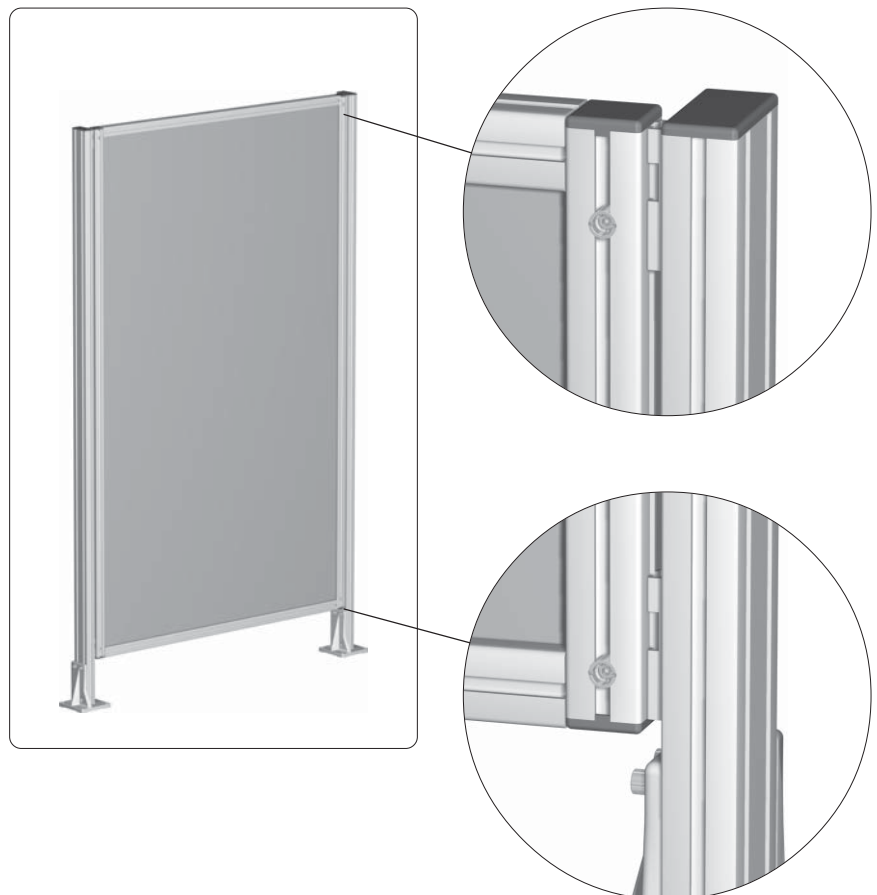
**Protective Barrier Element,  
Complete  
Variation 11111**

Without frame  
Panel element mounted in slot



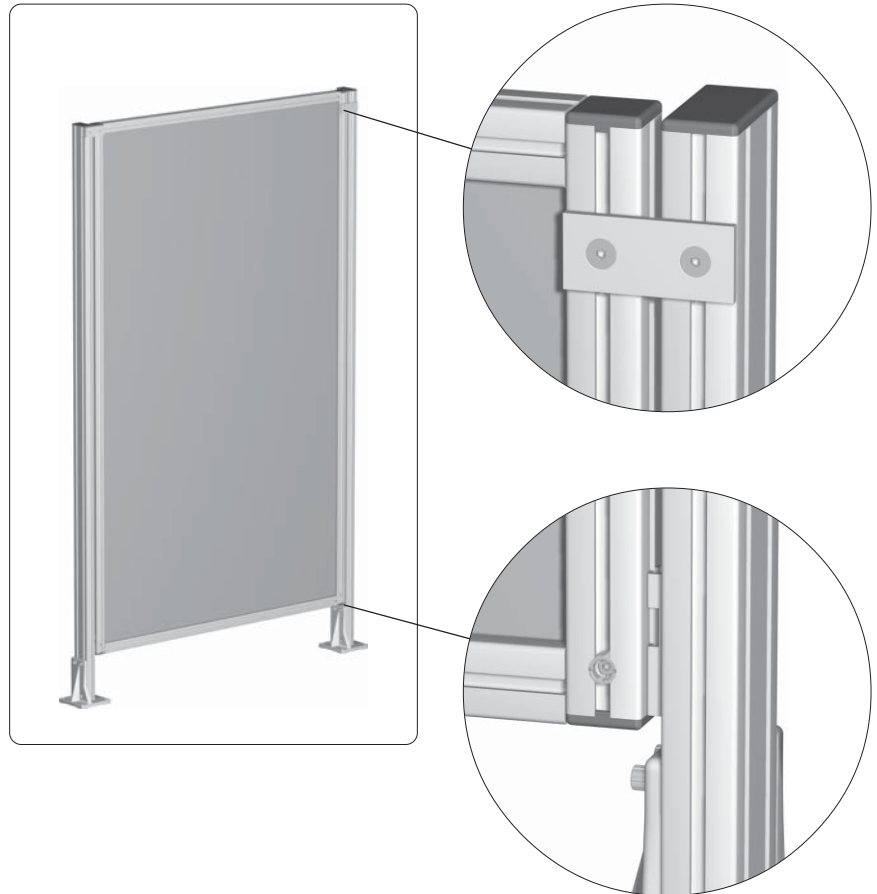
**Protective Barrier Element,  
Complete  
Variation 21111**

With removable frame  
Panel element mounted in slot



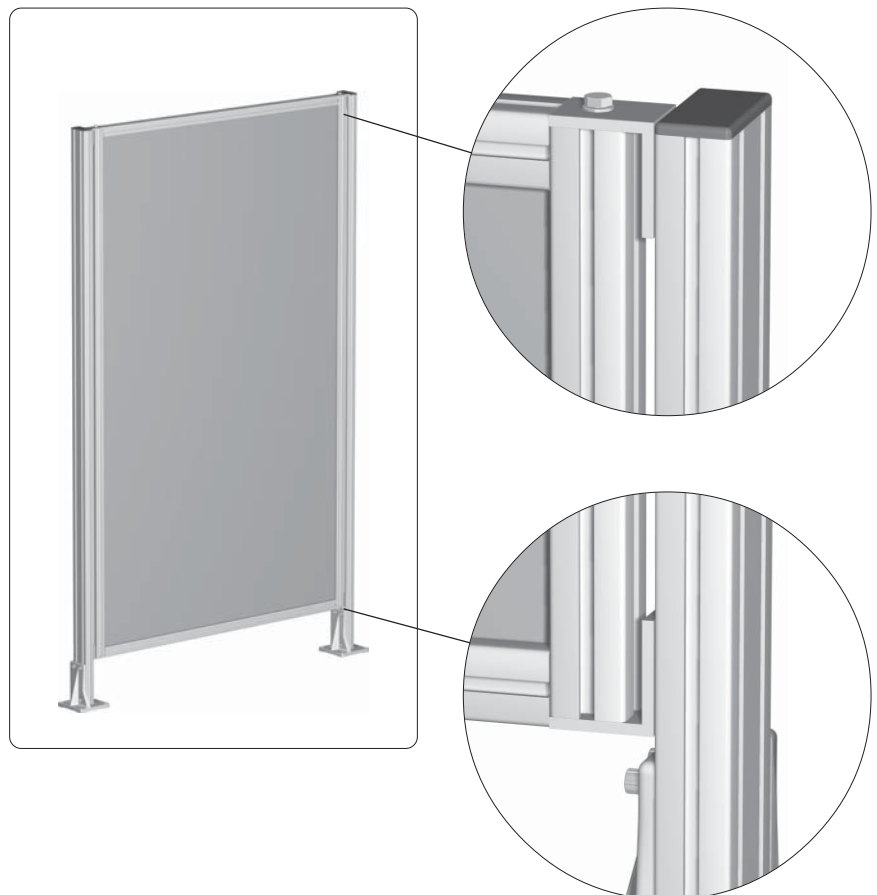
**Protective Barrier Element,  
Complete  
Variation 31111**

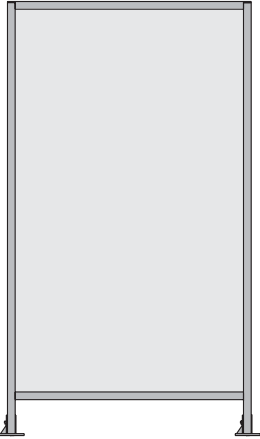
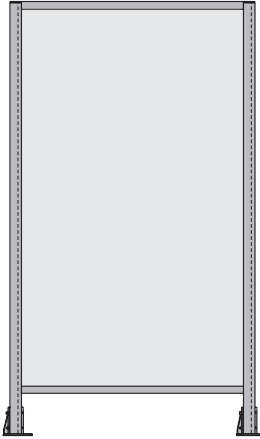
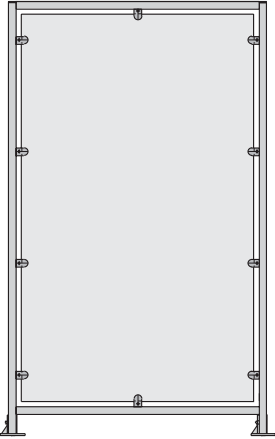
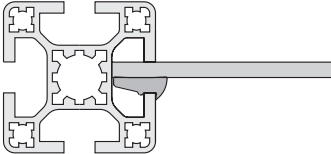
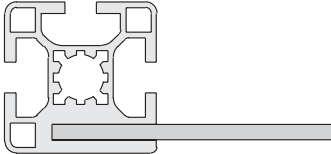
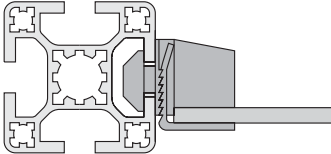
With tilt frame - removable  
Panel element mounted in slot

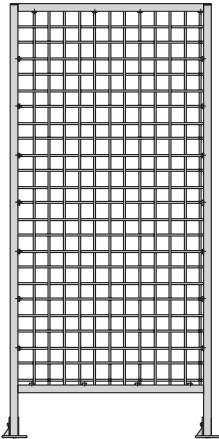
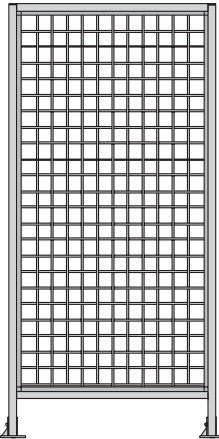
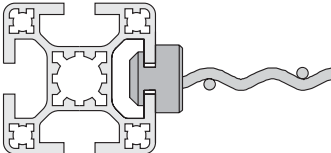
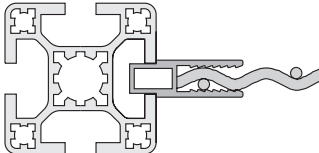


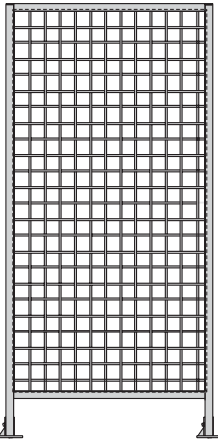
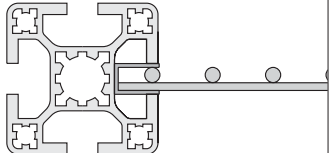
**Protective Barrier Element,  
Complete  
Variation 41111**


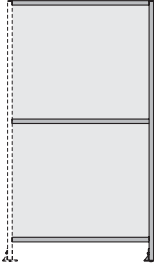
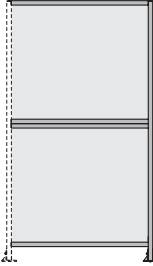
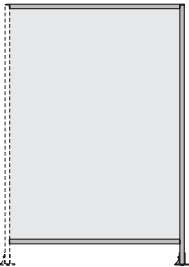
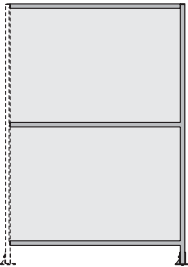
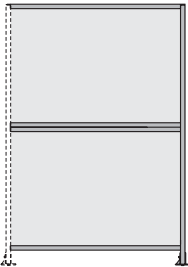
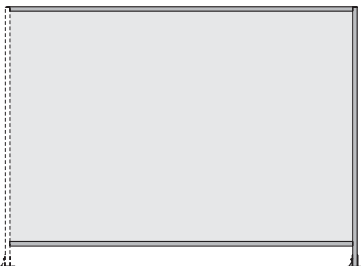
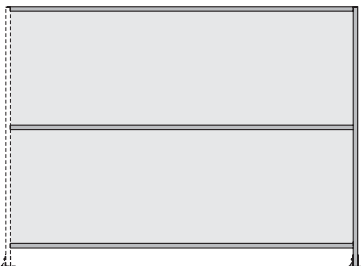
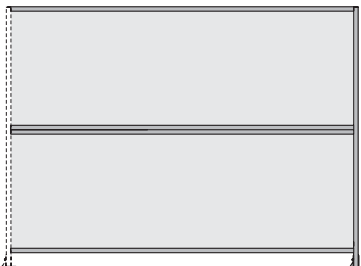
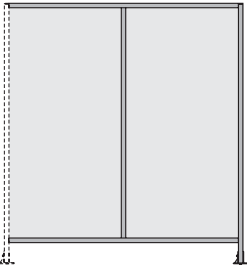
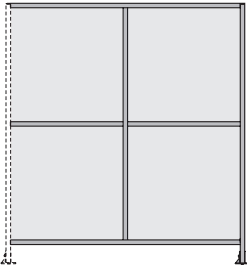
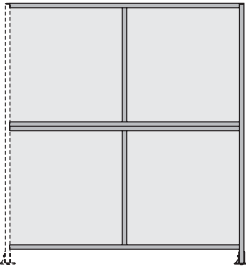
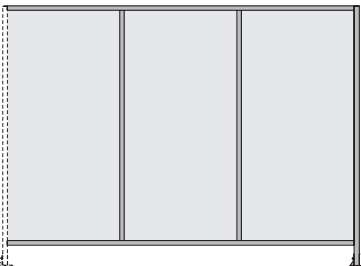
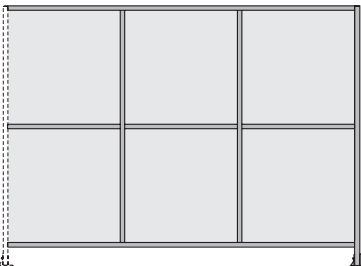
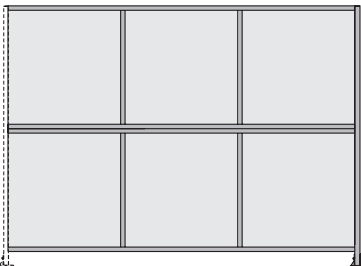
With removable frame - bracket mount  
Panel element mounted in slot



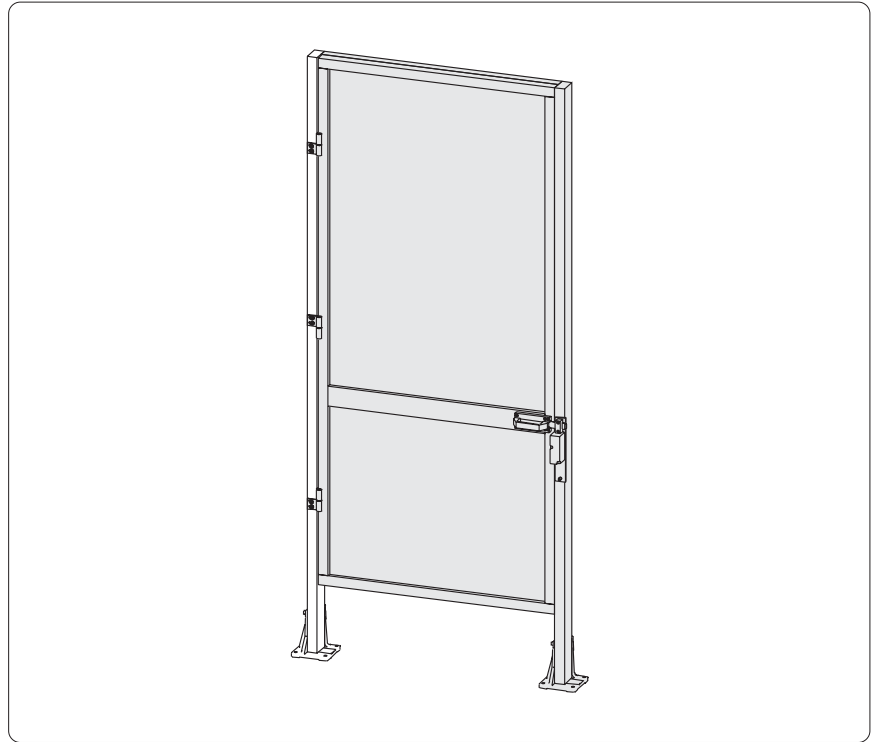
| Panel elements   |   |  |
|--|---|--|
|   |    |   |
|  |  |  |
| <b>in slot</b>   | <b>with panel profile</b>   | <b>with mounting blocks</b>  |

| Wire woven mesh   |   |
|---|---|
|  |  |
|  |  |
| <b>with mounting sockets</b>  | <b>with wire net mounting profile</b>   |

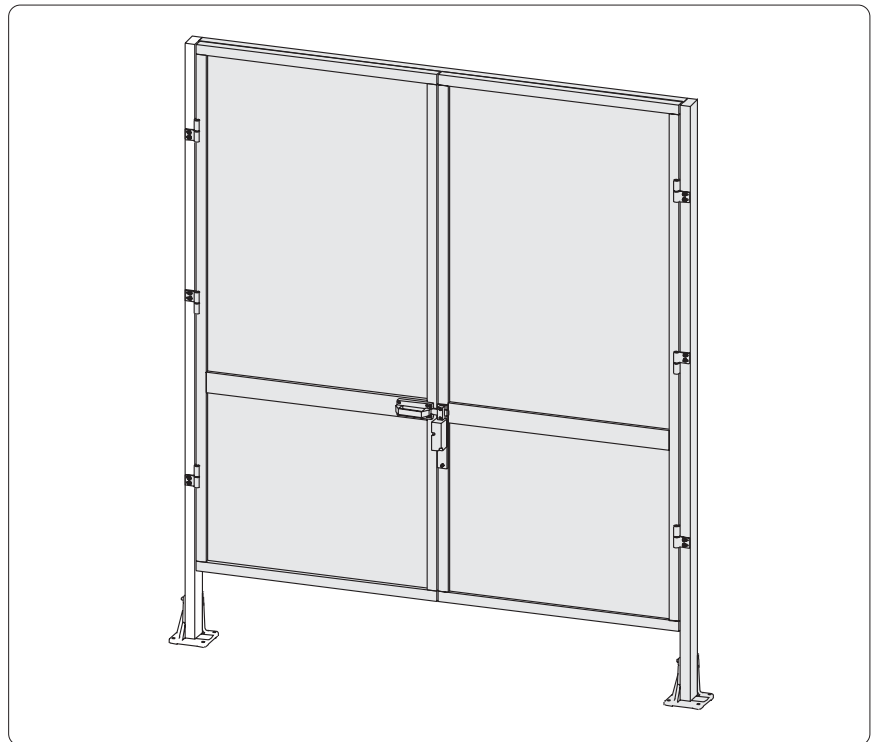
| Steel welded mesh   |
|---|
|  |
|  |
| <b>with combination profile</b>   |

| without cross strut   | with cross strut  | divided   |
|---|---|---|
|    |    |    |
|    |    |    |
|  |  |  |
|  |  |  |
|  |  |  |

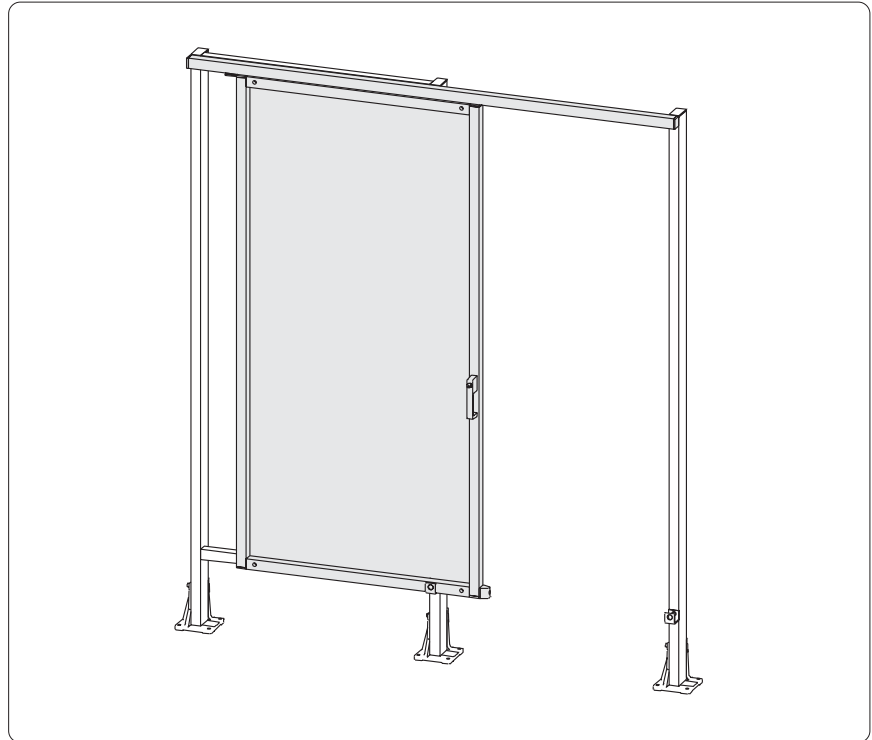
**Single hinged door**  
Panel element mounted in slot



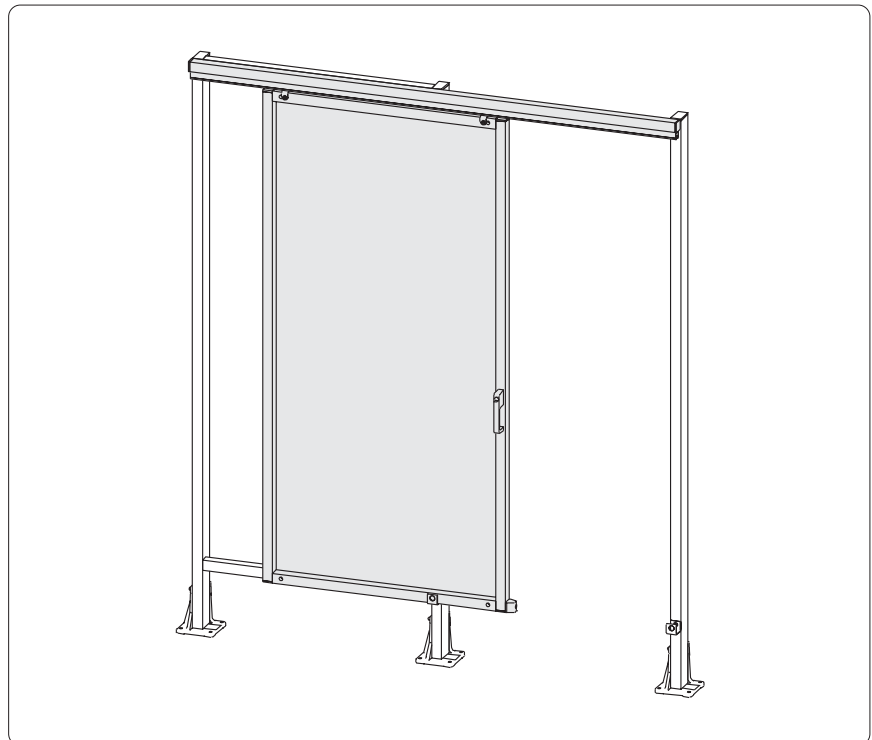
**Double hinged door**  
Panel element mounted in slot

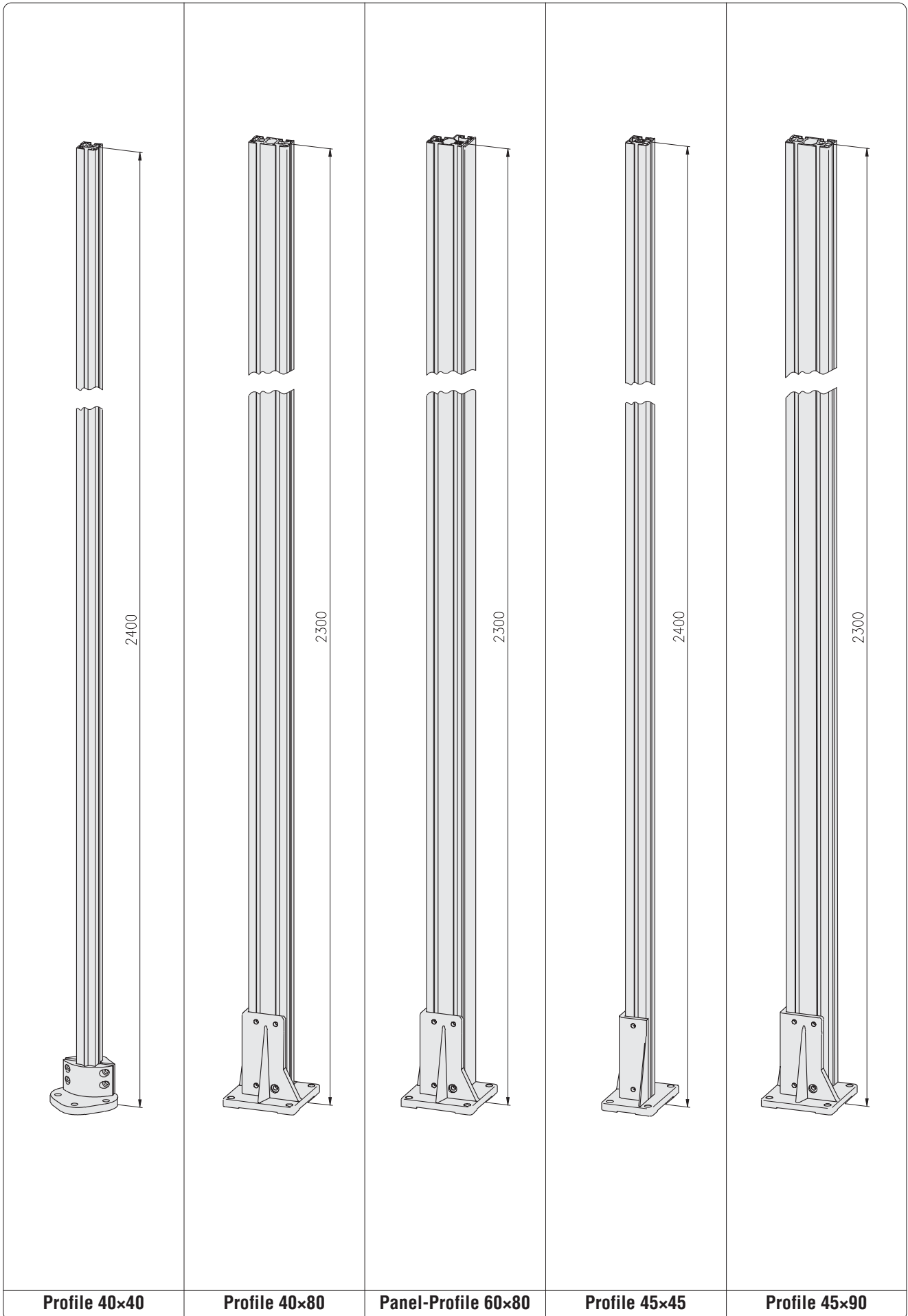


**Sliding door  
With sliding blocks**



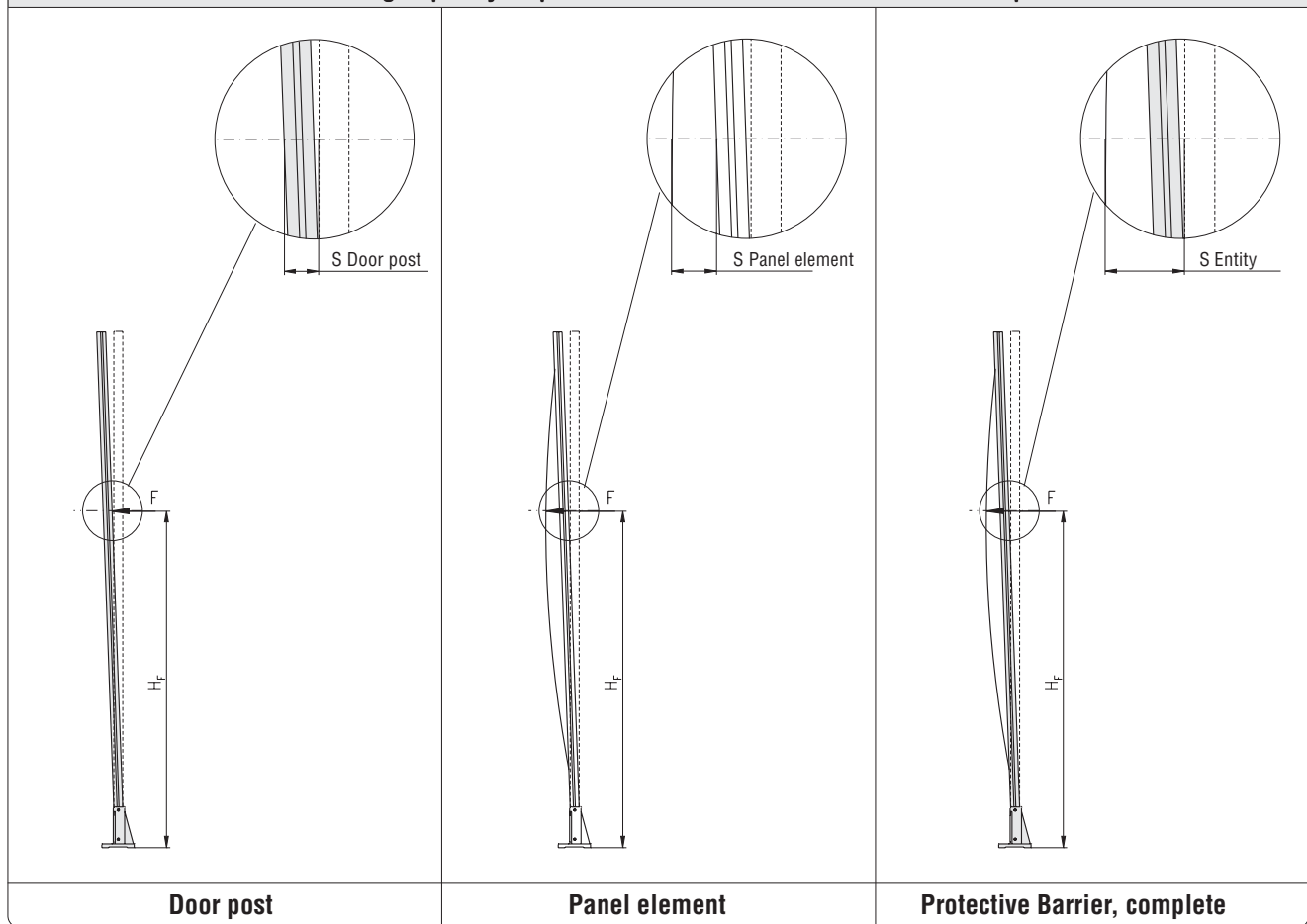
**Sliding door  
With runner**





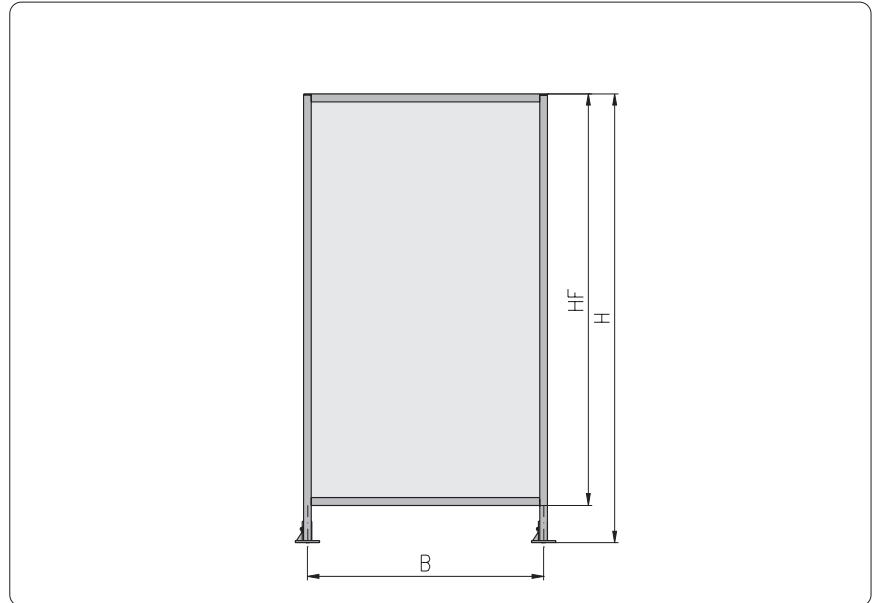


### Loading capacity of protective barriers with 4 mm Makrolon panels



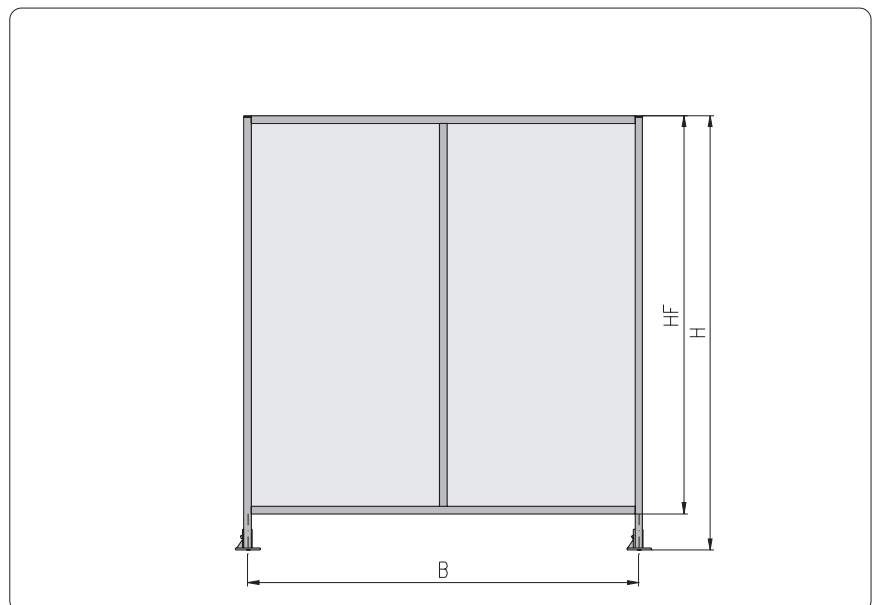
|                                     |  | F in N        |         |       |       |       |       |       |        |        |
|-------------------------------------|--|---------------|---------|-------|-------|-------|-------|-------|--------|--------|
|                                     |  | 100           | 150     | 300   | 450   | 600   | 1,000 | 1,500 | 2,000  |        |
| <b>Door post</b>                    |  | $H_f$         | S in mm |       |       |       |       |       |        |        |
| Door post:                          | Profile 40×80, 6E, LP<br>Length: 2,300 mm              | 1,000         | 1.00    | 1.50  | 3.10  | 4.80  | 6.40  | 9.90  | 15.30  |        |
| Foot:                               | 1.44.84040080R, without M14×30                         | 1,500         | 3.00    | 4.60  | 9.90  | 14.80 | 19.90 |       |        |        |
| Door post:                          | Profile 60×80, 5E, angle, P, LP<br>Length: 2,300 mm    | 1,000         | 0.70    | 1.15  | 2.50  | 3.90  | 5.25  | 9.00  | 13.30  |        |
| Foot:                               | 1.44.84040080R, without M14×30                         | 1,500         | 2.45    | 4.00  | 8.35  | 12.45 | 16.90 |       |        |        |
| <b>Protective Barrier, complete</b> |  | $H_f = 1,500$ | S in mm |       |       |       |       |       |        |        |
| Variation:                          | Fixed frame, Profile 40×40, 4E, LP                     | Panel element | 30.00   | 37.40 | 48.80 | 58.60 | 64.80 | 82.20 | 98.30  | 115.10 |
| Door post:                          | Profile 40×80, 6E, LP, without support                 | Door post     | 1.10    | 2.00  | 4.50  | 7.00  | 9.20  | 15.80 | 23.90  | 33.60  |
| Foot:                               | 1.44.84040080R, without M14×30                         | Entity        | 31.10   | 39.40 | 53.30 | 65.60 | 74.00 | 98.00 | 122.20 | 148.70 |
| Panel element:                      | Makrolon 4 mm, 1,230×2,050 mm                          |               |         |       |       |       |       |       |        |        |
| Mounting:                           | Spline profile   |               |         |       |       |       |       |       |        |        |
| Variation:                          | Fixed frame, Panel pr. 40×40, 3E, LP                   | Panel element | 34.80   | 39.20 | 48.40 | 54.35 | 60.00 | 73.10 | 84.10  | 93.70  |
| Door post:                          | Panel profile 60×80, 5E, angle, P, LP, without support | Door post     | 1.50    | 2.90  | 4.80  | 6.75  | 8.50  | 16.10 | 24.30  | 29.00  |
| Foot:                               | 1.44.84040080R, without M14×30                         | Entity        | 36.30   | 42.10 | 53.20 | 61.10 | 68.50 | 89.20 | 108.40 | 122.70 |
| Panel element:                      | Makrolon 4 mm, 1,230×2,050 mm                          |               |         |       |       |       |       |       |        |        |
| Mounting:                           | Panel slot, slot depth 27.5 mm                         |               |         |       |       |       |       |       |        |        |

## Single panel element

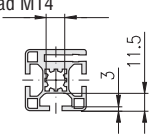
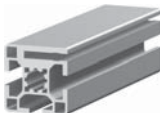
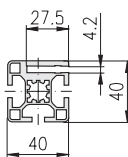
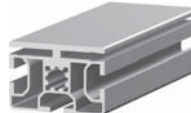
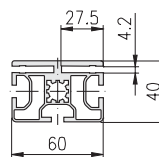
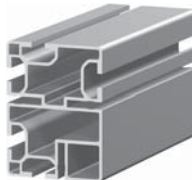
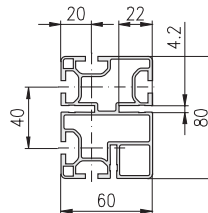
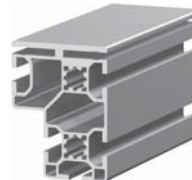
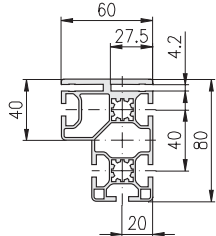


| H     | HF    |           | B   |     |       |       |       |
|-------|-------|-----------|-----|-----|-------|-------|-------|
|       | 40x40 | Panel pr. | 500 | 750 | 1,000 | 1,250 | 1,500 |
| 1,800 | 1,600 | 1,600     | 500 | 750 | 1,000 | 1,250 | 1,500 |
| 2,300 | 2,110 | 1,995     | 500 | 750 | 1,000 | 1,250 | 1,500 |
| 2,400 | 2,110 | 1,995     | 500 | 750 | 1,000 | 1,250 | 1,500 |

## Double panel element



| H     | HF    |           | B     |       |       |       |       |
|-------|-------|-----------|-------|-------|-------|-------|-------|
|       | 40x40 | Panel pr. | 1,500 | 1,750 | 2,000 | 2,500 | 3,000 |
| 1,800 | 1,600 | 1,600     | 1,500 | 1,750 | 2,000 | 2,500 | 3,000 |
| 2,300 | 2,110 | 1,995     | 1,500 | 1,750 | 2,000 | 2,500 | 3,000 |
| 2,400 | 2,110 | 1,995     | 1,500 | 1,750 | 2,000 | 2,500 | 3,000 |

| light   |  |  | Bar length 4.800 mm !  | Bar length 4.800 mm !  |
|---|--|--|--|--|
| <p>core hole Ø12.0<br/>for thread M14</p>  | <br> | <br> | <br> | <br> |
| Description   | 40×40, 3E, panel, LP   | 40×60, 3E, panel, LP   | 60×80, 5E, panel, LP   | 60×80, 5E, angle, P., LP   |
| bar, 6 m  | 1.15.040040.33LP.60  | 1.15.040060.34LP.60  | 1.15.060080.54LP.48  | 1.15.060080.57LP.48  |
| packing unit (number)   | 1.15.040040.33LP.61 (8)  | 1.15.040060.34LP.61 (5)  | 1.15.060080.54LP.41 (4)  | 1.15.060080.57LP.41 (4)  |
| moment of inertia cm <sup>4</sup>   | $I_x = 9.1$ $I_y = 10,7$   | $I_x = 26.2$ $I_y = 14.9$  | $I_x = 45.6$ $I_y = 74.4$  | $I_x = 85.4$ $I_y = 33.9$  |
| moment of resistance cm <sup>3</sup>  | $W_x = 4.6$ $W_y = 5,4$  | $W_x = 8.7$ $W_y = 7.6$  | $W_x = 15.2$ $W_y = 16.6$  | $W_x = 21.4$ $W_y = 11.3$  |
| weight kg/m   | G = 1.7  | G = 2.4  | G = 3.1  | G = 3.4  |

machining data  Profile machining 1.1A (Catalogue "The Profile System")

**Imprint**

Subject to technical modification.

All rights reserved.

Copying - also in parts - only allowed by written consent.

© MayTec Aluminium Systemtechnik GmbH,  
D - 85221 Dachau, 2003

The key ...

to success



30% - 600% more flexible design

20% - 50% more economical machining

60% - 340% quicker assembly

100% - 260% stronger connection

more than 60 service locations

### **Australia**

**MayTec Australia P/L**  
Unit 1, 8 Prosperity Parade  
Warriewood, NSW 2102

country code: +61  
phone (0) 2 / 9999 0890  
fax (0) 2 / 9979 8703  
e-mail: [info@maytec.com.au](mailto:info@maytec.com.au)  
<http://www.maytec.com.au>

### **Germany**

**MayTec Aluminium**  
Systemtechnik GmbH  
Kopernikusstraße 20  
D - 85221 Dachau

country code: +49  
phone (0) 8131 / 33 36 - 0  
fax (0) 8131 / 33 36 - 119  
e-mail: [mail@maytec.de](mailto:mail@maytec.de)  
<http://www.maytec.de>

### **USA**

**MayTec Inc.**  
1625 Dundee Ave., Unit E-F  
Elgin, IL 60120

country code: +1  
phone 847 - 429 - 0321  
fax 847 - 429 - 0460  
e-mail: [mail@maytecinc.com](mailto:mail@maytecinc.com)  
<http://www.maytecinc.com>