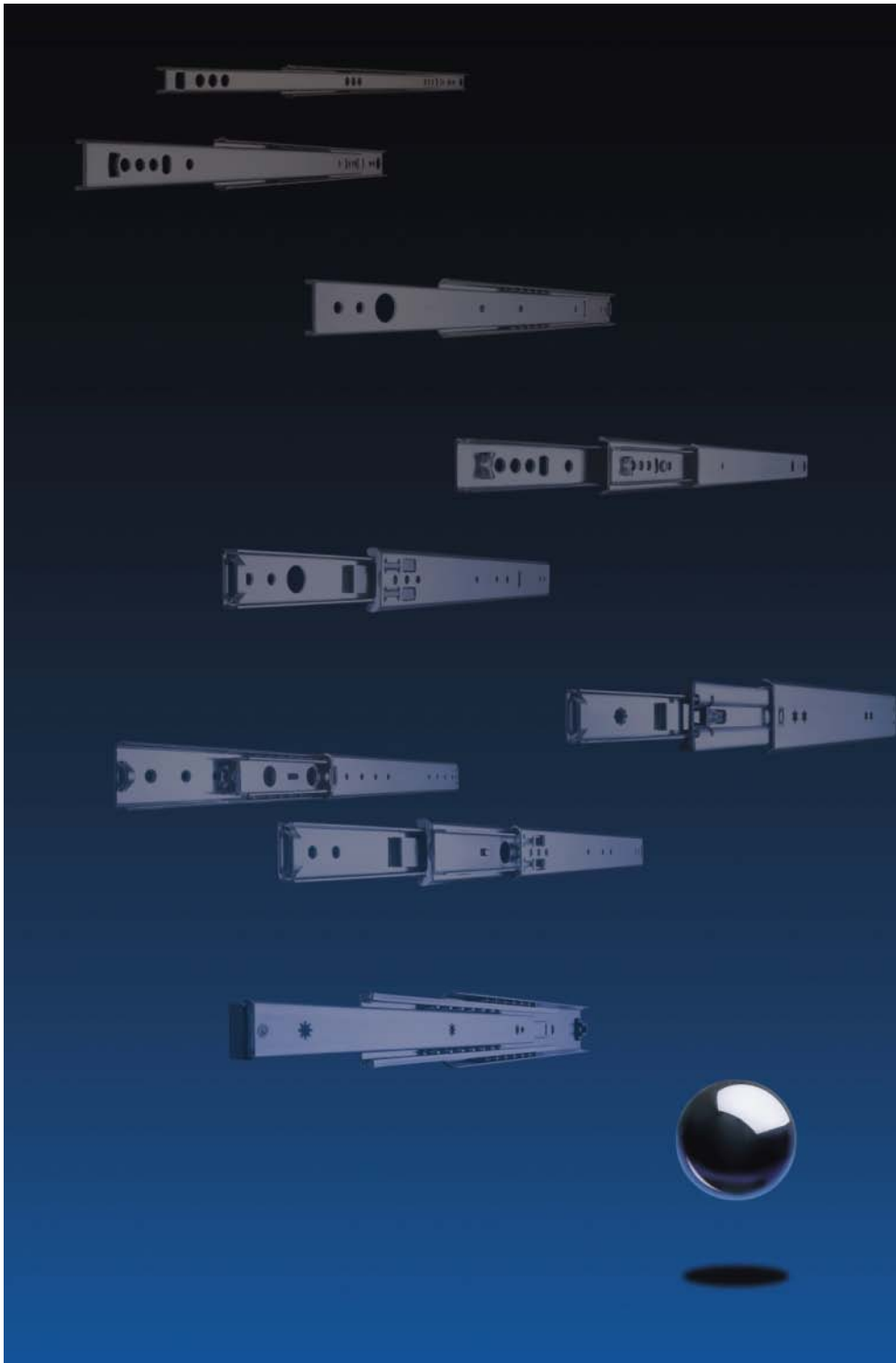


Standard Programme.

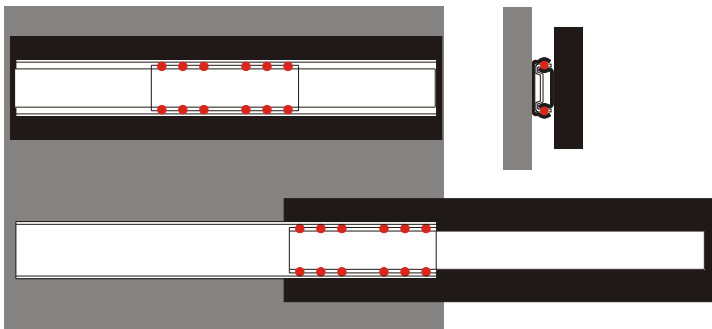


SCHOCK
M E T A L L

Precision ball bearing slides for furniture and industrial applications.

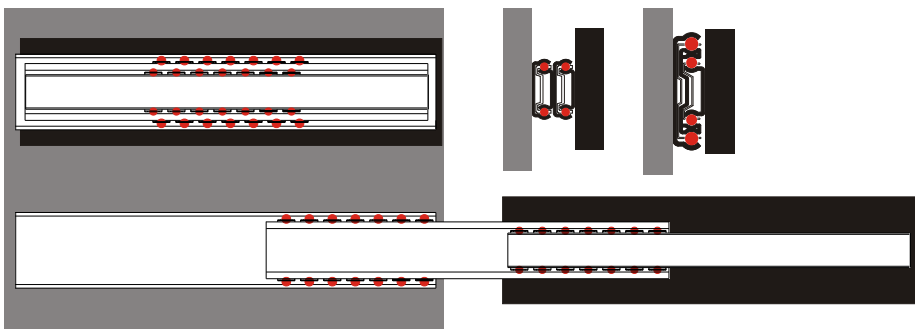
Partial extension slides (page 3)

Extension approx. 70-80%
of slide length



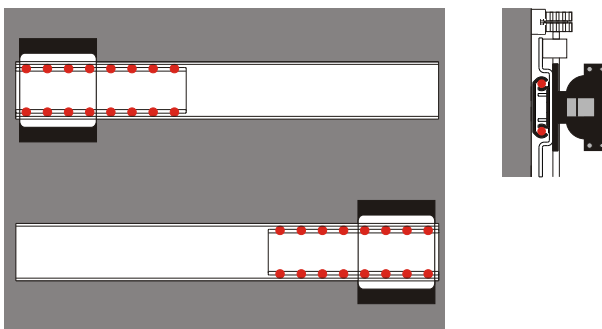
Full extension slides (page 15)

Extension \geq 100%
of slide length

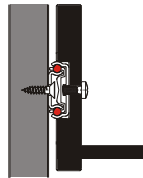


Special slide systems (page 31)

TV-Swivel
Pantry unit
Flap door system
Wide drawer full extension

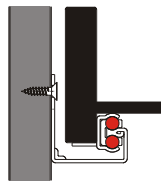


Partial extension slides



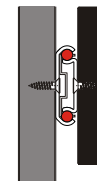
Groove mounted

Series	017	010	061	012
Load capacity / pair [kg]	10	15	35	35
Height x width [mm]	17 x 10	27,2 x 10	17,4 x 14	37,5 x 13
Page	4	6	10	12



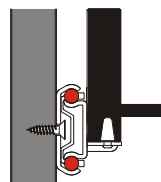
Concealed slide

Series	017	060
Load capacity / pair [kg]	10	25 - 30
Height x width [mm]	21,5 x 10	22,2 x 14
Page	5	8 - 9



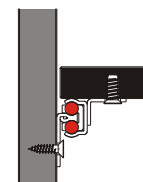
Side mounted
(19"-technology)

Series	ITS 016
Load capacity / pair [kg]	40 - 56
Height x width [mm]	35,2 x 9,5
Page	14



Support brackets

Series	010	012
Load capacity / pair [kg]	15	35
Height x width [mm]	27,2 x 10	37,5 x 13
Page	7	13



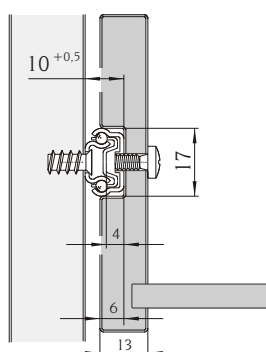
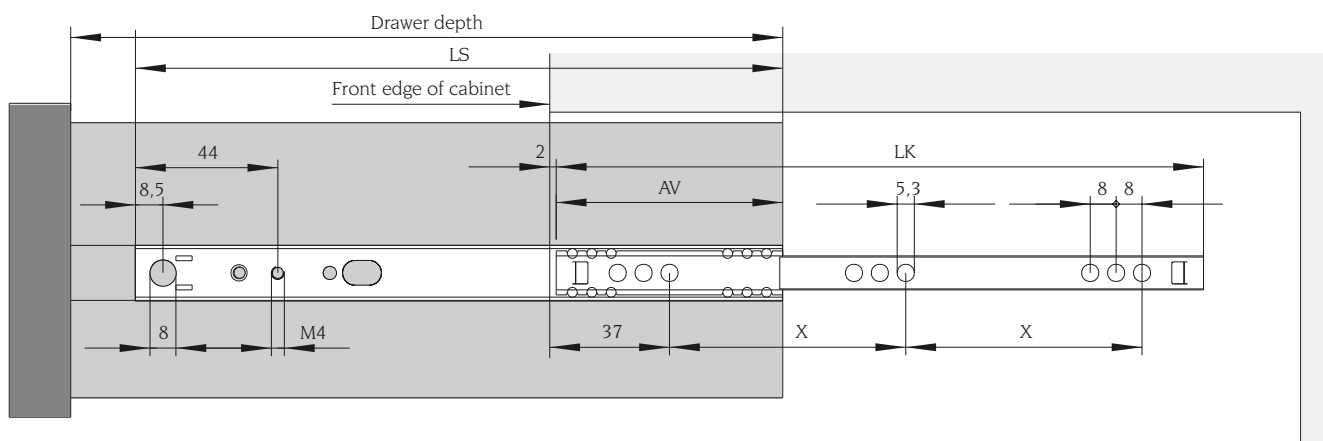
Keyboard slide

Series	061
Load capacity / pair [kg]	35
Height x width [mm]	17,4 x 14
Page	11

Partial extension - Series 017

- Load capacity 10 kg
- for 17 mm groove

- Material of slide rails: zinc plated steel
- Material of ball cages: plastic
- Material of balls: hardened precision steel



Drawer depth from - to [mm]	Length of drawer rail LS [mm]	Length of cabinet rail LK [mm]	Loss of extension AV [mm]	X [mm]	Article No.
184 - 286	182	182	58	64	017.16585
216 - 342	214	214	76	80	017.16909
248 - 396	246	246	76	96	017.16586
312 - 506	310	310	94	128	017.16587
376 - 615	374	374	112	160	017.16710

other lengths on request

Cabinet fixing

- Spax-Screws
- Euro-Screws
- Dowels

-
-
- X

Drawer fixing

- Screws M4 x 9 mm
- Snap-on clips
- Height adjustment device

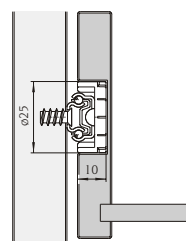
-
- X
- X

Functional features

- Detent in opened position
- Roll-out prevention
- Self-closing device

- - X
 -
- = standard
X = on request
- = special development

Plastic snap-on clip for installation and removal of the drawer without tools (instead of M4 screws).



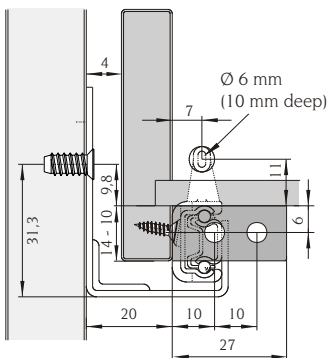
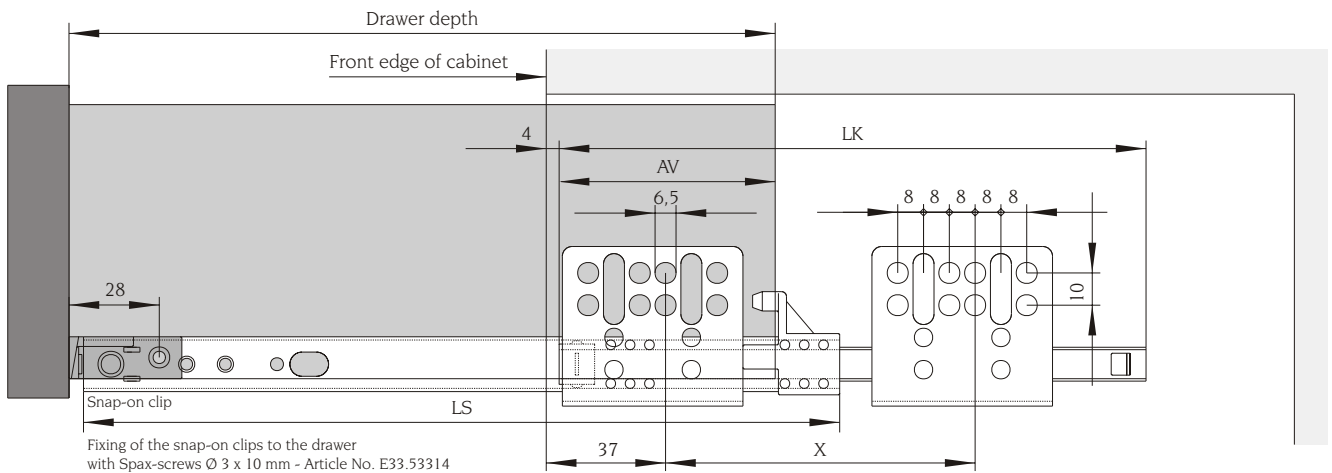
Snap-on clip white
Article No. 090.16790



Partial extension - Series 017

- **Load capacity 10 kg**
- **Snap-on clips for concealed mounting**

- Material of slide rails: zinc plated steel
- Material of ball cages: plastic
- Material of balls: hardened precision steel



Drawer depth [mm]	Cabinet depth min. [mm]	LS [mm]	LK [mm]	Loss of extension AV [mm]	X [mm]	Article No.
250	275	265	182	67	96	017.05650
350	375	365	246	85	160	017.05652

other lengths on request

Cabinet fixing

- Spax-Screws
- Euro-Screws
- Dowels

Drawer fixing

- Snap-on clips
- Keyboard adapters
- Height adjustment device

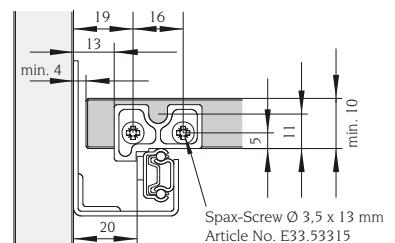
Functional features

- Detent in opened position
- Roll-out prevention
- Self-closing device

-
•
X
•
X
-
-
•
X
-

• = standard
X = on request
- = special development

Adapter for keyboards and pull-out shelves:
Article No. 090.05368T

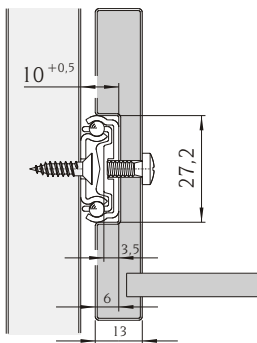
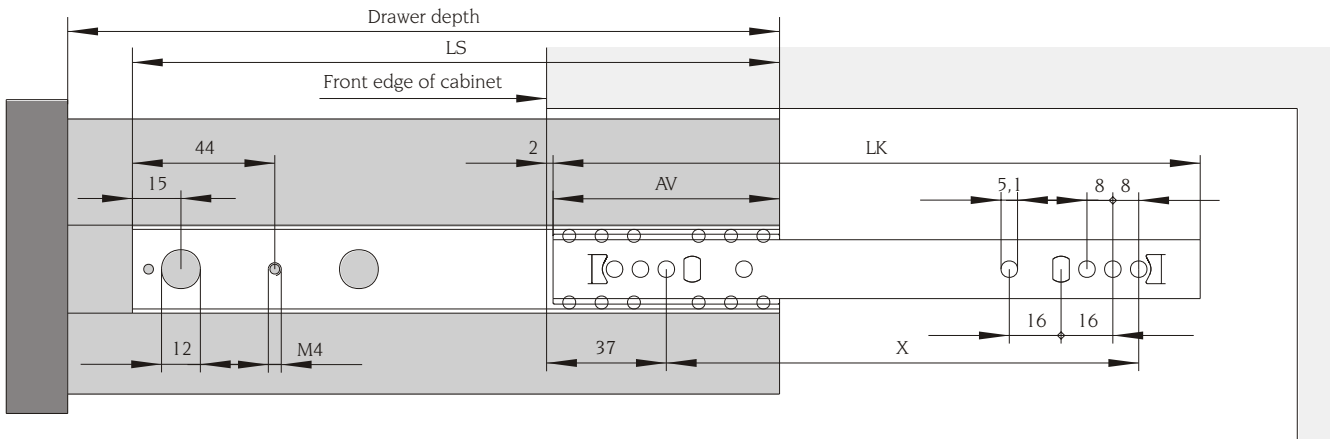


Partial extension slides

Partial extension - Series 010

- Load capacity 15 kg
- for 27 mm groove

- Material of slide rails: zinc plated steel
- Material of ball cages: plastic
- Material of balls: hardened precision steel



Drawer depth from - to [mm]	Length of drawer rail LS [mm]	Length of cabinet rail LK [mm]	Loss of extension AV [mm]	X [mm]	Article No.
214 - 348	214	214	70	160	010.17361
310 - 520	310	310	90	256	010.17364
406 - 672	406	406	130	352	010.17367
470 - 780	470	470	150	416	010.17369

other lengths on request

Cabinet fixing

- Spax-Screws
- Euro-Screws
- Dowels

-
-
- X

Drawer fixing

- Screws M4 x 9 mm
- Snap-on clips
- Height adjustment device

-
- X
-

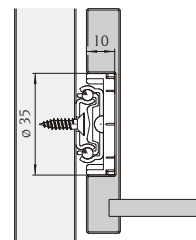
Functional features

- Detent in opened position
- Roll-out prevention
- Self-closing device

- X
- X
- X

- = standard
- X = on request
- = special development

Plastic snap-on clip for installation and removal of the drawer without tools (replaces M4 screws).



Snap-on clip white
Article No. 090.16530



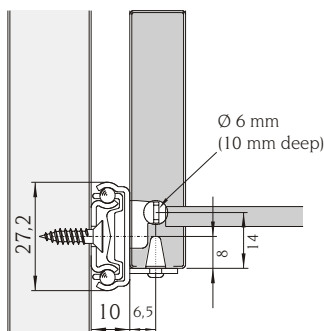
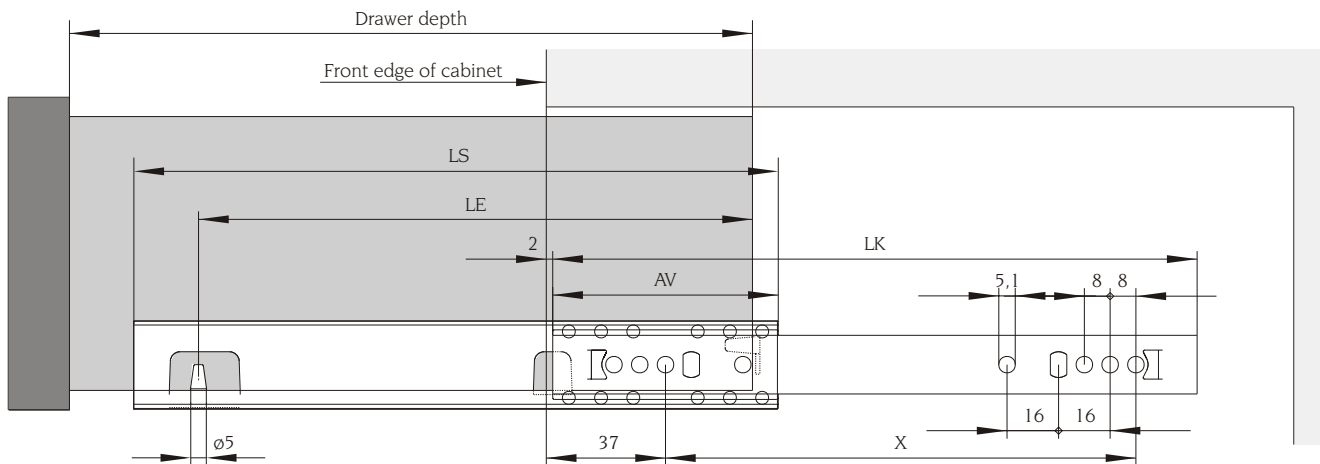
Integrated self-closing device available on request. Travel: 25 mm.



Partial extension - Series 010

- Load capacity 15 kg
- Retaining pins for wooden drawers
- Easy mounting and removal without tools

- Material of slide rails: zinc plated steel
- Material of ball cages: plastic
- Material of balls: hardened precision steel



Drawer depth from - to [mm]	Length of drawer rail LS [mm]	Length of cabinet rail LK [mm]	Loss of extension AV [mm]	LE [mm]	X [mm]	Article No.
312 - 449	317	278	90	289	224	010.17143
376 - 557	381	342	110	353	288	010.17145

other lengths on request

Cabinet fixing

- Spax-Screws
- Euro-Screws
- Dowels

-
-
- X

Drawer fixing

- Retaining pins
- Snap-on clips
- Height adjustment device

-
-
-

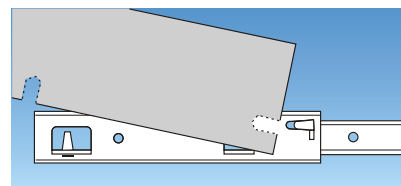
Functional features

- Detent in opened position
- Roll-out prevention
- Self-closing device

- X
- X
- X

• = standard
X = on request
- = special development

Precision ball bearing slide with retaining pins for quick installation and removal of the drawer without tools.



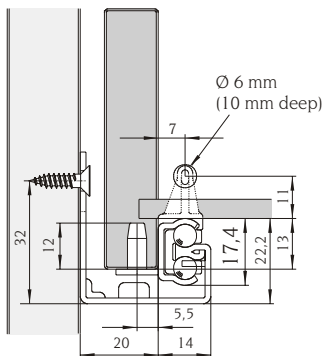
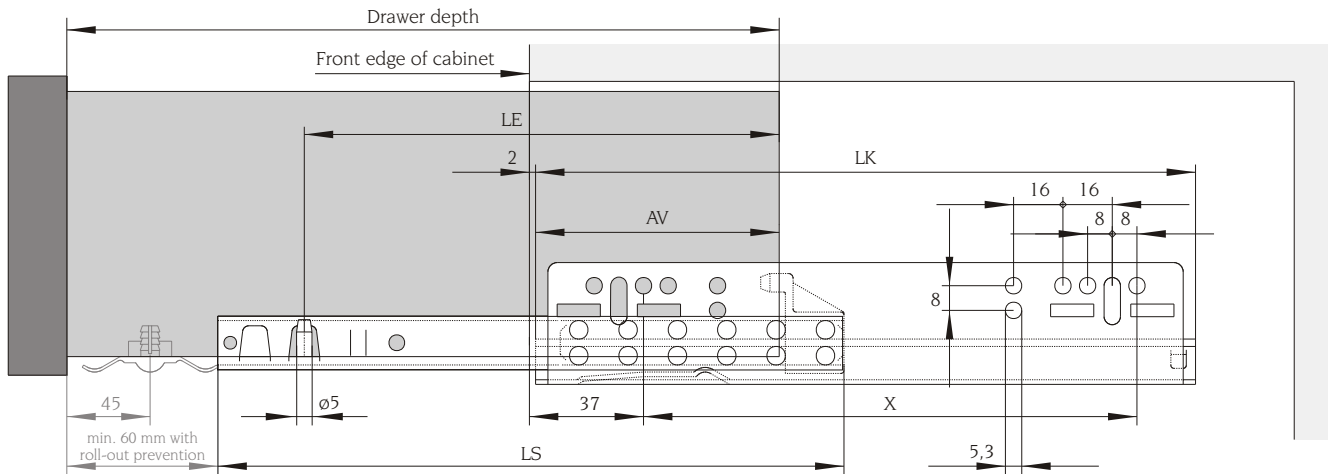
Integrated self-closing device available on request. Travel: 25 mm.



Partial extension - Series 060

- **Load capacity 25 kg**
- **Retaining pins for concealed mounting**
- **Smooth movement and high lateral stability**

- Material of slide rails: zinc plated steel
- Material of ball cages: plastic
- Material of balls: hardened precision steel



Drawer depth from - to [mm]	Length of drawer rail LS [mm]	Length of cabinet rail LK [mm]	Loss of extension AV [mm]	LE [mm]	X [mm]	Article No.
226 - 284	246	214	80	198	160	060.17350
258 - 348	278	246	80	230	192	060.17351
322 - 460	342	310	96	294	256	060.17353
386 - 572	406	374	112	358	320	060.17355
418 - 620	438	406	128	390	352	060.17356

other lengths on request

Cabinet fixing

- Spax-Screws
- Euro-Screws
- Dowels

-
-
- X

Drawer fixing

- Retaining pins
- Snap-on clips
- Height adjustment device

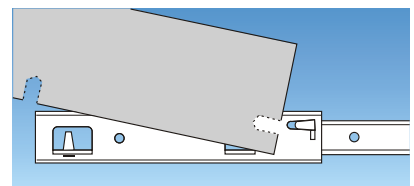
-
-
- X

Functional features

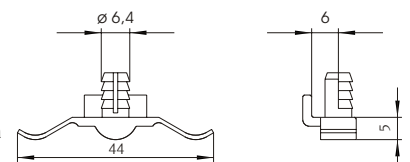
- Detent in opened position
- Roll-out prevention
- Self-closing device

- - X
 -
- = standard
X = on request
- = special development

Precision ball bearing slide with retaining pins for quick installation and removal of the drawer without tools.



Roll-out prevention (colour: ivory)
Article No. 090.15510

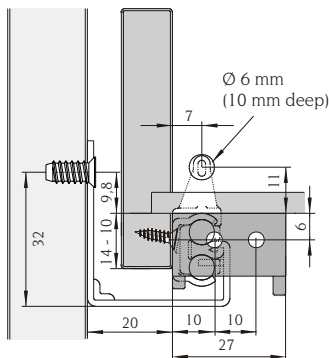
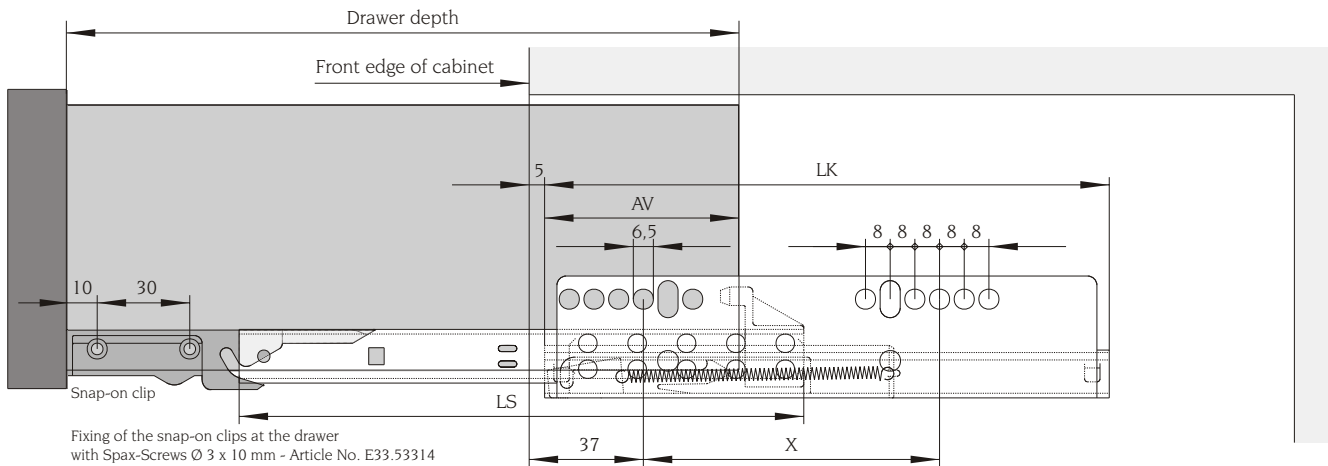


Plastic roll-out prevention to fix the drawer in closed position.

Partial extension - Series 060

- Load capacity 30 kg
- Snap-on clips for concealed mounting
- Automatic closing function
- Smooth movement and high lateral stability

- Material of slide rails: zinc plated steel
- Material of ball cages: plastic
- Material of balls: hardened precision steel



Drawer depth [mm]	Cabinet depth min. [mm]	LS [mm]	LK [mm]	Loss of extension AV [mm]	X [mm]	Article No.
250	275	214	183	64	96	060.05350
400	425	364	266	80	160	060.05353
480	505	444	322	112	224	060.05355

other lengths on request

Cabinet fixing

- Spax-Screws
- Euro-Screws
- Dowels

Drawer fixing

- Snap-on clips
- Keyboard adapters
- Height adjustment device

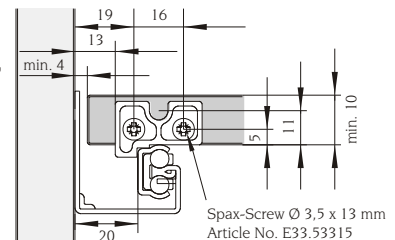
Functional features

- Detent in opened position
- Roll-out prevention
- Self-closing device (left)

-
-
- X
-
- X
-
-
-
-
-

- = standard
- X = on request
- = special development

Adapter for keyboards and pull-out shelves:
Article No. 090.05368T



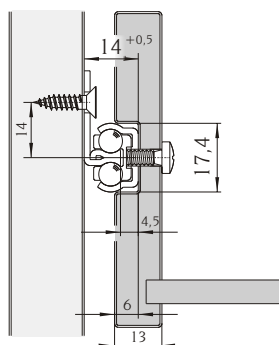
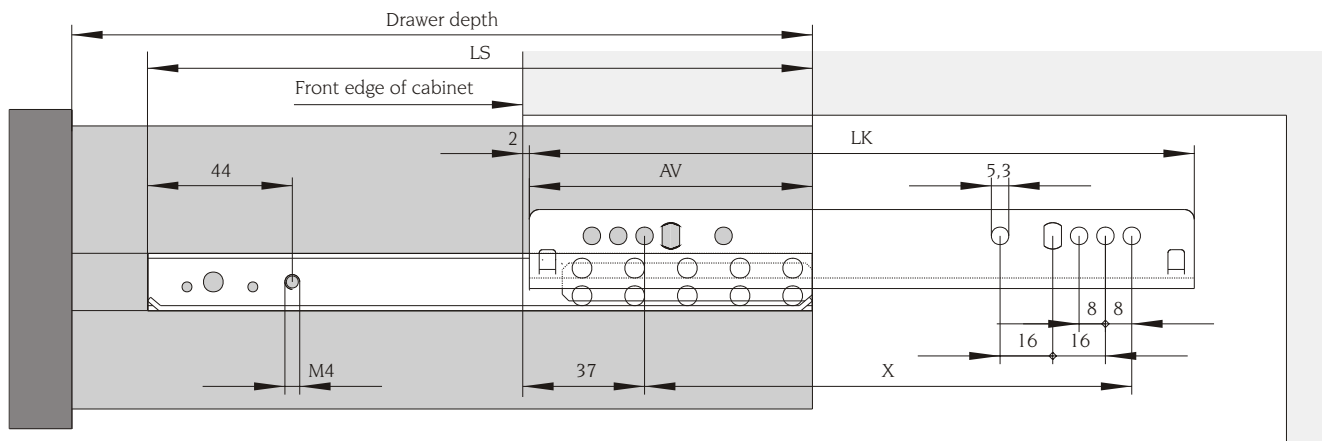
Additional self-closing device (right) available on request.
Travel: 25 mm
Article No. 090.05367H



Partial extension - Serie 061

- **Load capacity 35 kg**
- **for 17 mm groove**
- **Smooth movement and high lateral stability**

- Material of slide rails: zinc plated steel
- Material of ball cages: plastic
- Material of balls: hardened precision steel



Drawer depth from - to [mm]	Length of drawer rail LS [mm]	Length of cabinet rail LK [mm]	Loss of extension AV [mm]	X [mm]	Article No.
246 - 320	246	214	84	160	061.17720
310 - 432	310	278	100	224	061.17722
406 - 608	406	374	116	320	061.17725

other lengths on request

Cabinet fixing

- Spax-Screws
- Euro-Screws
- Dowels

-
-
- X

Drawer fixing

- Screws M4 x 9 mm
- Quick-release clips
- Height adjustment device

-
- X
-

Functional features

- Detent in opened position
- Roll-out prevention
- Self-closing device

- X
- X
-

• = standard
X = on request
- = special development

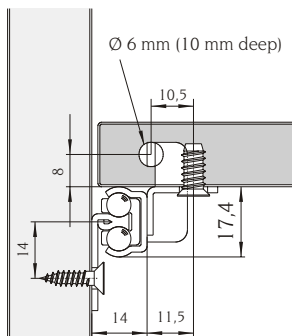
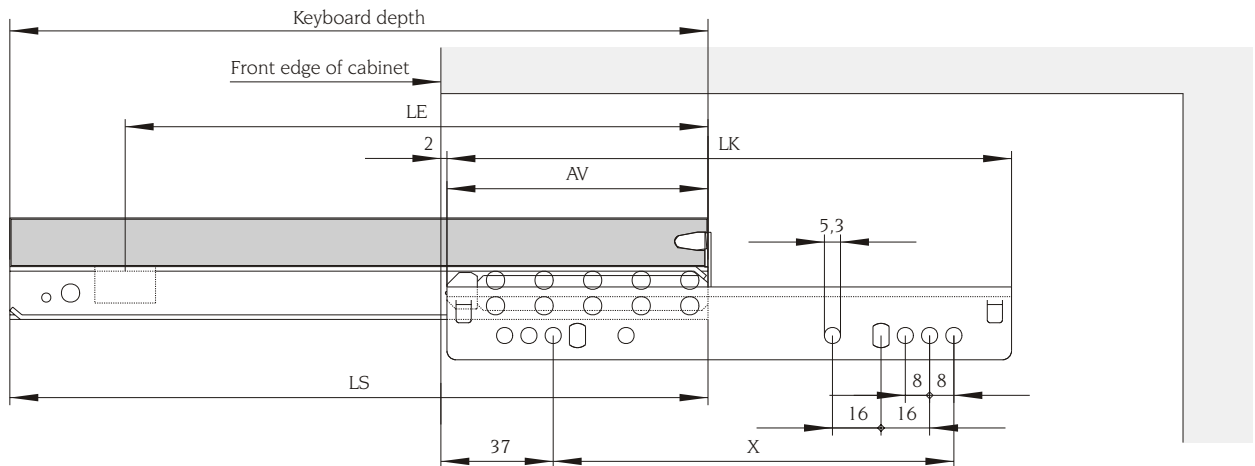
Plastic quick-release clips for easy removal and installation of the drawer without tools (instead of M4 screws).



Partial extension - Serie 061

- Load capacity 35 kg
- Support brackets
- for keyboards and pull-out shelves

- Material of slide rails: zinc plated steel
- Material of ball cages: plastic
- Material of balls: hardened precision steel



Keyboard depth [mm]	Length of keyboard rail LS [mm]	Length of cabinet rail LK [mm]	Loss of extension AV [mm]	LE [mm]	X [mm]	Article No.
380	380	278	86	341	224	061.18628

other lengths on request

Cabinet fixing

- Spax-Screws
- Euro-Screws
- Dowels

-
-
- X

Keyboard fixing

- Support brackets
- Euro-Screws
- Snap-on clips

-
-
-

Functional features

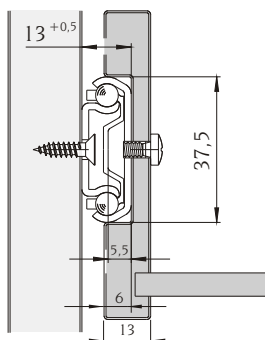
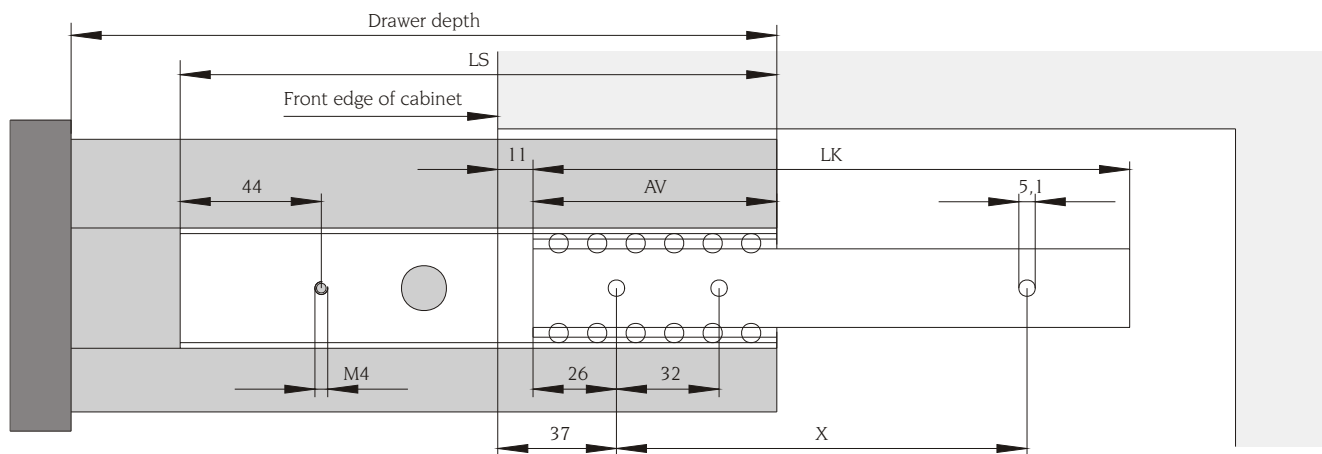
- Detent in opened position
- Roll-out prevention
- Self-closing device

- -
 -
- = standard
X = on request
- = special development

Partial extension - Series 012

- Load capacity 35 kg
- for 37 mm groove

- Material of slide rails: zinc plated steel
- Material of ball cages: plastic
- Material of balls: hardened precision steel



Drawer depth from - to [mm]	Length of drawer rail LS [mm]	Length of cabinet rail LK [mm]	Loss of extension AV [mm]	X [mm]	Article No.
242 - 380	242	242	88	192	012.10367
317 - 530	317	317	88	256	012.10370
398 - 680	398	398	100	352	012.10373
473 - 780	473	473	100	416	012.10375

other lengths on request

Cabinet fixing

- Spax-Screws
- Euro-Screws
- Bayonets

-
-
- X

Drawer fixing

- Screws M4 x 9 mm
- Snap-on clips
- Bayonets

-
-
- X

Functional features

- Detent in opened position
- Roll-out prevention
- Self-closing device

- X
 - X
 - X
- = standard
X = on request
- = special development

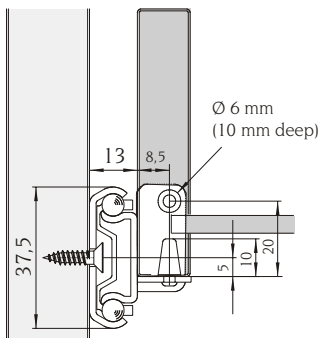
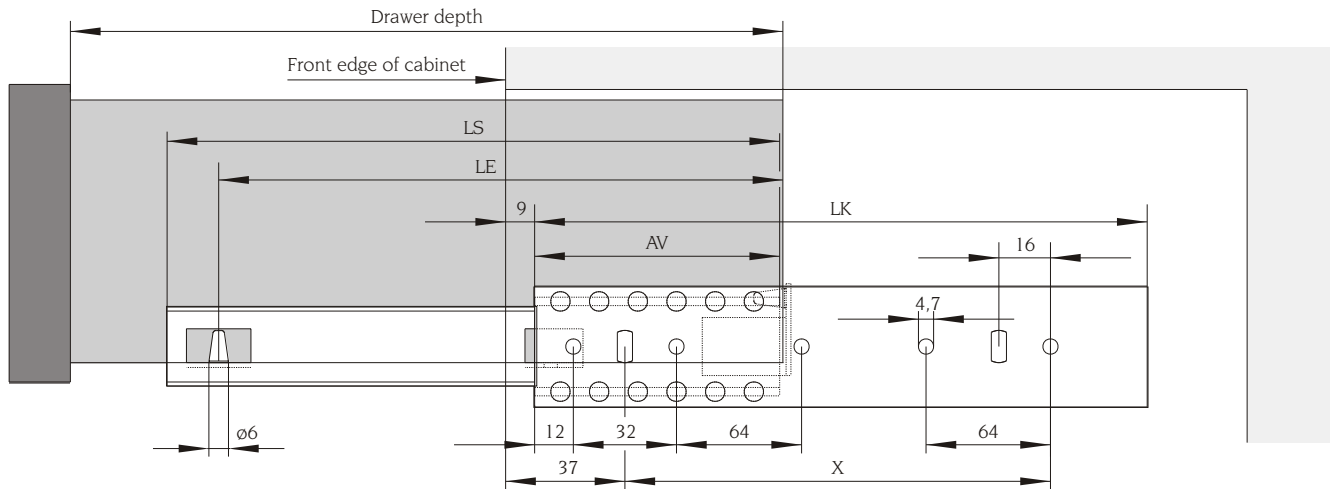
Integrated self-closing device available on request. Travel: 25 mm.



Partial extension - Series 012

- **Load capacity 35 kg**
- **Retaining pins for wooden drawers**
- **Easy mounting and removal without tools**

- Material of slide rails: zinc plated steel
- Material of ball cages: plastic
- Material of balls: hardened precision steel



Drawer depth from - to [mm]	Length of drawer rail LS [mm]	Length of cabinet rail LK [mm]	Loss of extension AV [mm]	LE [mm]	X [mm]	Article No.
292 - 476	292	292	88	277	192	012.06254
342 - 576	342	342	88	327	256	012.06256
423 - 726	423	423	100	408	320	012.06259

other lengths on request

Partial extension slides

Cabinet fixing

- Spax-Screws
- Euro-Screws
- Dowels

-
-
- X

Drawer fixing

- Retaining pins
- Snap-on clips
- Height adjustment device

-
-
-

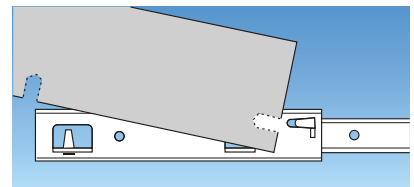
Functional features

- Detent in opened position
- Roll-out prevention
- Self-closing device

- X
- X
- X

- = standard
- X = on request
- = special development

Precision ball bearing slide with retaining pins for quick installation and removal of the drawer without tools.



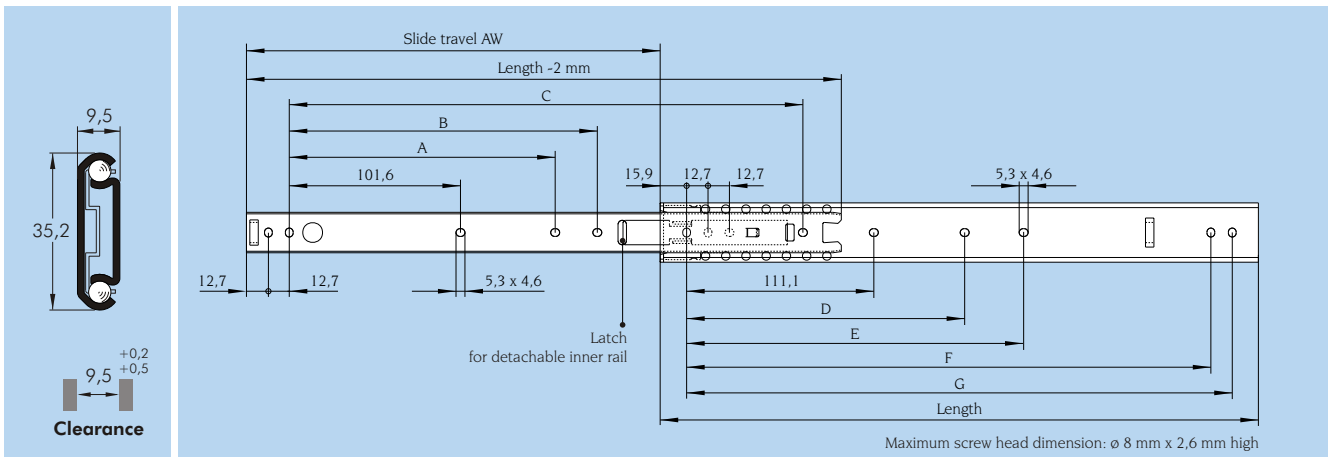
Integrated self-closing device available on request. Travel: 25 mm.



Partial extension ITS 016

- Load capacity 400 - 560 N
- Detachable inner rail
- Specially designed for the 19"-technology

- Material of slide rails: zinc electroplated and blue passivated precision steel
- Material of ball cages: pre-zincated steel
- Material of balls: hardened precision steel



Length mm/inches	Load capacity per pair (N)	AW ± 3 mm	A mm	B mm	C mm	D mm	E mm	F mm	G mm	Article No.
305/12	540	196	–	215,9	254,0	–	149,2	260,3	273,0	016.06330Z
330/13	500	221	–	241,3	279,4	–	174,6	285,7	298,4	016.06331Z
356/14	460	247	–	266,7	304,8	–	200,0	311,1	323,8	016.06332Z
406/16	400	297	–	317,5	355,6	–	250,8	361,9	374,6	016.06333Z
457/18	490	323	203,2	342,9	406,4	212,7	301,6	412,7	425,4	016.06334Z
508/20	440	374	228,6	393,7	457,2	238,1	352,4	463,6	476,3	016.06335Z
533/21	410	400	241,3	419,1	482,6	250,8	377,8	488,9	501,6	016.06336Z
559/22	480	400	254,0	419,1	508,0	263,5	403,2	514,3	527,0	016.06337Z
610/24	560	425	279,4	444,5	558,8	288,9	454,0	565,1	577,8	016.06338Z
660/26	500	476	304,8	495,3	609,6	314,3	504,8	615,9	628,6	016.06339Z

other lengths on request

Functional features

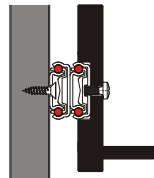
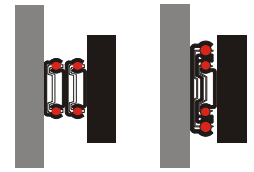
- Stop in opened position
- Hold-out detent
- Positive locking
- Stop in closed position
- Hold-in detent
- Detachable inner rail
- Self-closing device

•	• = standard
•	X = on request
X	- = special development
•	
-	
•	
-	

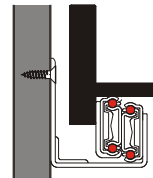
Conversion to positive locking function is possible by exchanging the latch at the inner slide rail.



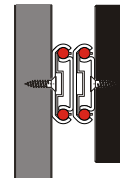
Full extension slides



Groove mounted



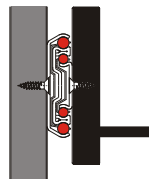
Concealed slide



Side mounted
(19"-technology)

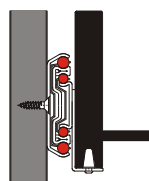
Series	042	040	040
Load capacity / pair [kg]	10	20	30
Height x width [mm]	17 x 20	27,2 x 20	32,6 x 20
Page	16	17	18

ITS 044
45 - 52
35,2 x 19
20

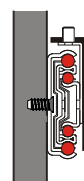


Side mounted

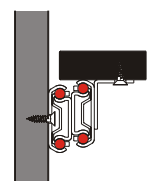
Series	072	036	037	038	039
Load capacity / pair [kg]	40	50 - 65	40 - 100	70 - 100	70 - 100
Height x width [mm]	45,5 x 12,7	52,6 x 13	57,5 x 16	57,4 x 17,5	57,4 x 19
Page	21	22	24 - 25	26	30



Support brackets



Brackets with pin



Keyboard slide

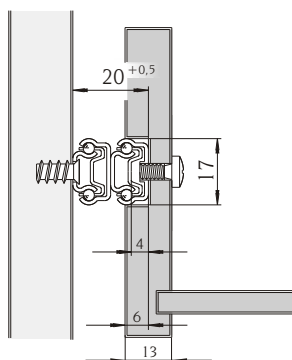
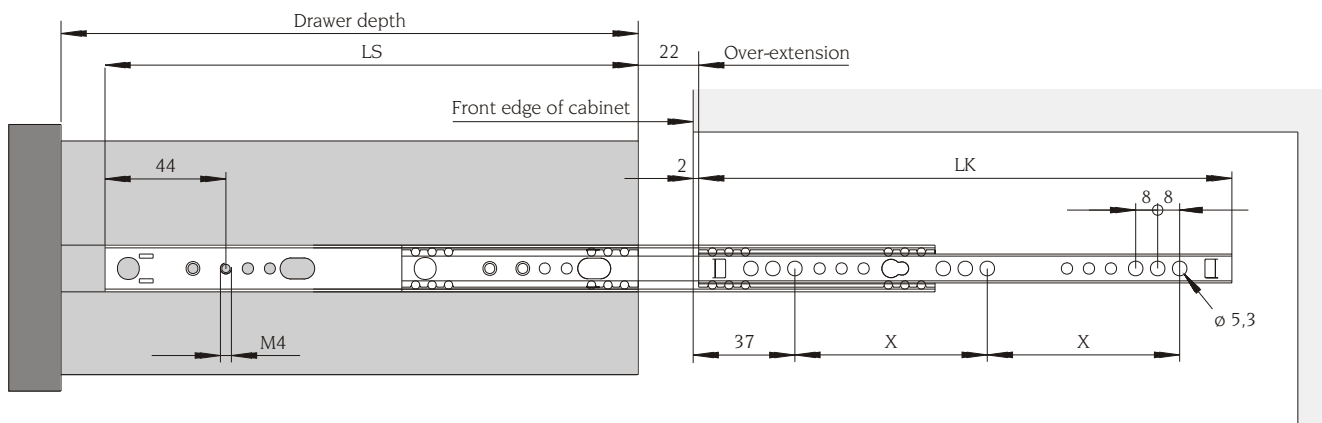
Series	036	038	038
Load capacity / pair [kg]	50	70 - 75	75
Height x width [mm]	52,6 x 14,5	57,4 x 19	57,4 x 19
Page	23	27 - 28	29

043
60
40,5 x 26
19

Full extension - Series 042

- Load capacity 10 kg
- for 17 mm groove

- Material of slide rails: zinc plated steel
- Material of ball cages: plastic
- Material of balls: hardened precision steel



Drawer depth from - to [mm]	Length of drawer rail LS [mm]	Length of cabinet rail LK [mm]	Over-extension [mm]	X [mm]	Article No.
246 - 517	246	246	22	96	042.05025

other lengths on request

Cabinet fixing

- Spax-Screws
- Euro-Screws
- Dowels

-
-
- X

Drawer fixing

- Screws M4 x 9 mm
- Snap-on clips
- Height adjustment device

-
- X
- X

Functional features

- Detent in opened position
- Roll-out prevention
- Self-closing device

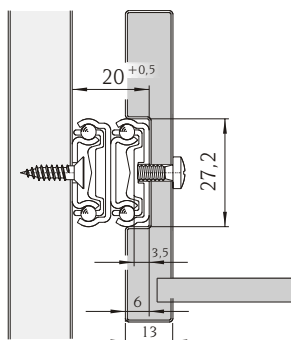
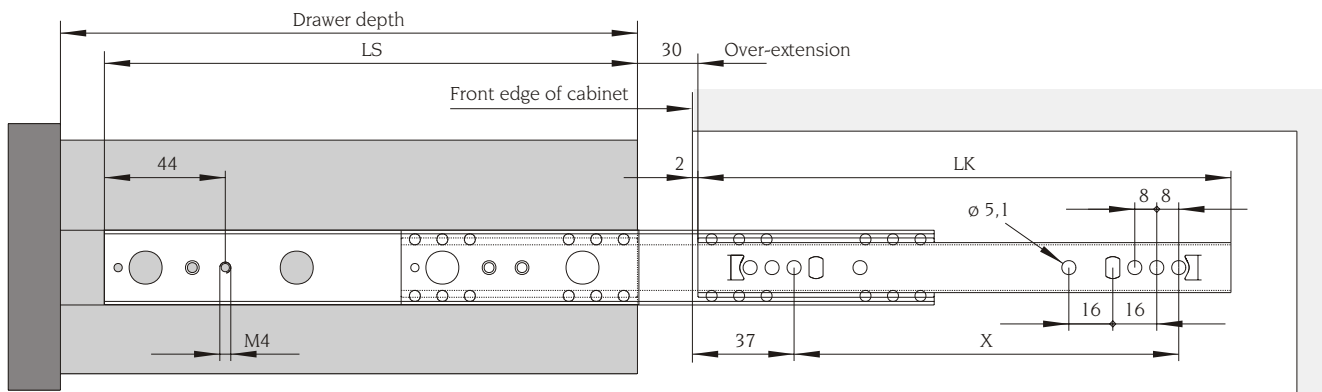
-
- X
-

• = standard
 X = on request
 - = special development

Full extension - Series 040

- Load capacity 20 kg
- for 27 mm groove

- Material of slide rails: zinc plated steel
- Material of ball cages: plastic
- Material of balls: hardened precision steel



Drawer depth from - to [mm]	Length of drawer rail LS [mm]	Length of cabinet rail LK [mm]	Over-extension [mm]	X [mm]	Article No.
310 - 640	310	310	30	256	040.17474

other lengths on request

Full extension slides

Cabinet fixing

- Spax-Screws
- Euro-Screws
- Dowels

-
-
- X

Drawer fixing

- Screws M4 x 9 mm
- Snap-on clips
- Height adjustment device

-
- X
-

Functional features

- Detent in opened position
- Roll-out prevention
- Self-closing device

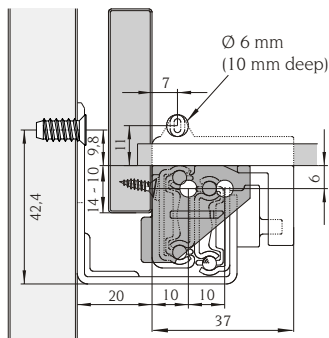
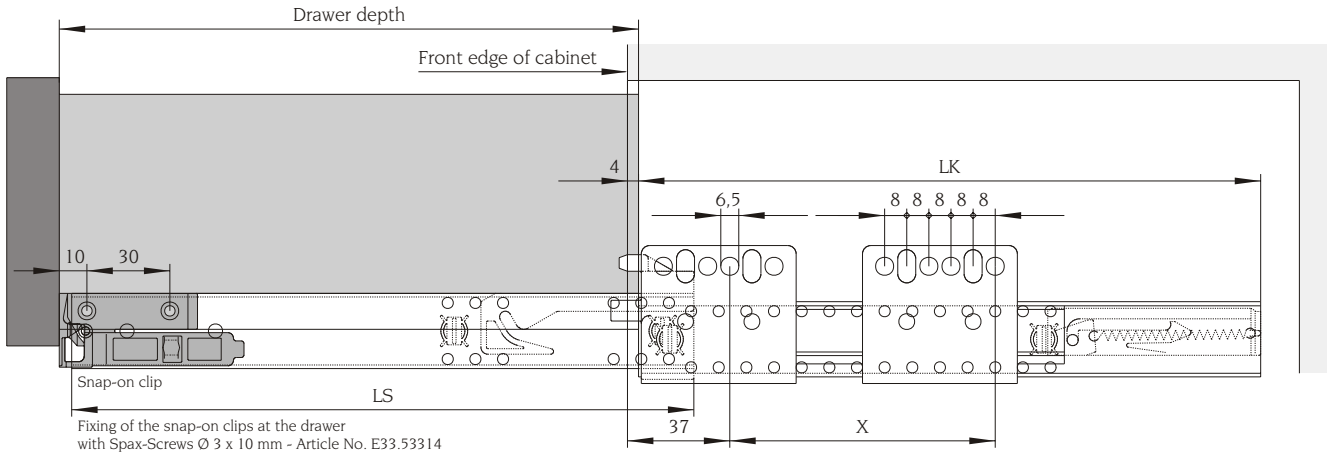
- X
- X

- = standard
- X = on request
- = special development

Full extension - Series 040

- Load capacity 30 kg
- Snap-on clips for concealed mounting
- Automatic closing function

- Material of slide rails: zinc plated steel
- Material of ball cages: plastic
- Material of balls: hardened precision steel



Drawer depth [mm]	Cabinet depth min. [mm]	LS [mm]	LK [mm]	Slide travel [mm]	X [mm]	Article No.
250	275	265	265	246	96	040.05360
400	425	415	415	396	160	040.05363
480	505	495	495	476	224	040.05365

other lengths on request

Cabinet fixing

- Spax-Screws -
- Euro-Screws •
- Dowels X

Drawer fixing

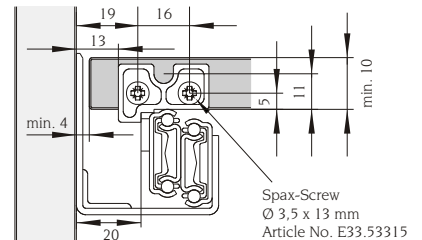
- Snap-on clips •
- Keyboard adapters X
- Height adjustment device -

Functional features

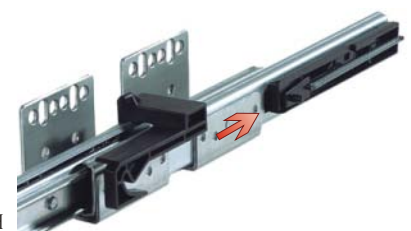
- Detent in opened position -
- Roll-out prevention •
- Self-closing device (left) •

• = standard
X = on request
- = special development

Adapter for keyboards and pull-out shelves:
Article No. 090.05368T



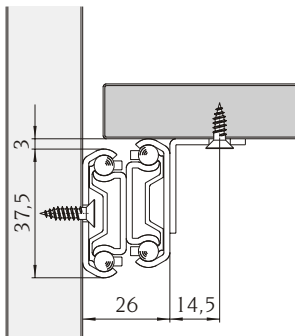
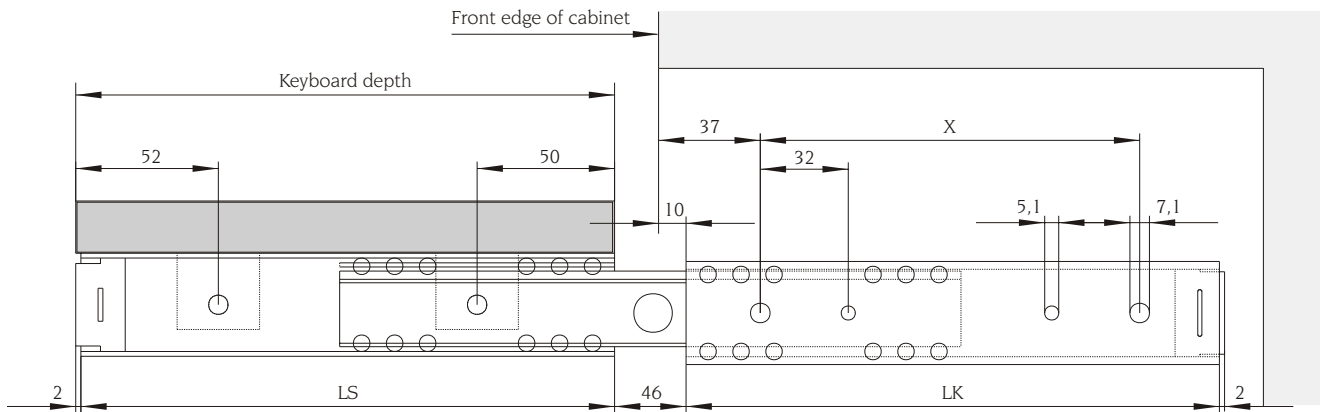
Additional self-closing device (right) available on request.
Travel: 25 mm
Article No. 090.05367H



Full extension - Series 043

- Load capacity 60 kg
- Support brackets
- for keyboards and pull-out shelves

- Material of slide rails: zinc plated steel
- Material of ball cages: plastic
- Material of balls: hardened precision steel



Keyboard depth [mm]	Length of keyboard rail LS [mm]	Length of cabinet rail LK [mm]	Over-extension [mm]	X [mm]	Article No.
max. 380	378	378	46	288	043.14720

other lengths on request

Cabinet fixing

- Spax-Screws
- Euro-Screws
- Dowels

-
-
- X

Keyboard fixing

- Support brackets
- Spax-Screws
- Snap-on clips

-
-
-

Functional features

- Detent in opened position
- Roll-out prevention
- Self-closing device

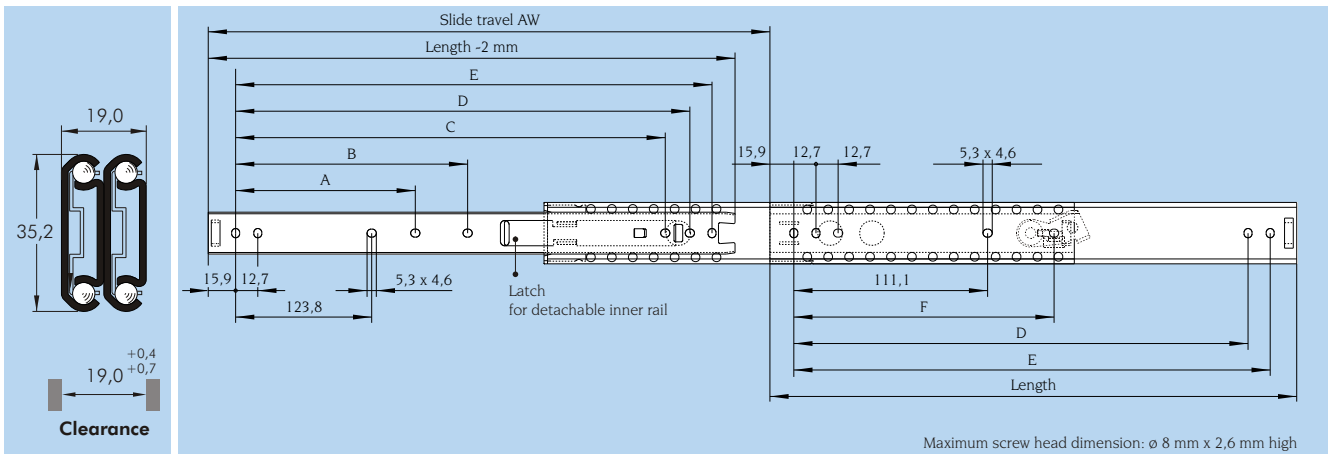
- X
- X

- = standard
- X = on request
- = special development

Full extension ITS 044

- **Load capacity 450 - 520 N**
- **Detachable inner rail**
- **Specially designed for the 19"-technology**

- Material of slide rails: zinc electroplated and blue passivated precision steel
- Material of ball cages: pre-zincated steel
- Material of balls: hardened precision steel



Length mm/inches	Load capacity per pair (N)	AW ± 3 mm	A mm	B mm	C mm	D mm	E mm	F mm	Article No.
305/12	450	316	–	–	–	260,3	273,0	–	044.10390Z
330/13	450	353	–	–	273,0	285,7	298,4	–	044.10391Z
356/14	455	381	–	–	298,4	311,1	323,8	–	044.10392Z
406/16	490	433	–	–	349,2	361,9	374,6	250,8	044.10393Z
457/18	495	484	212,7	–	400,0	412,7	425,4	301,6	044.10394Z
508/20	510	531	238,1	365,1	450,9	463,6	476,3	352,4	044.10395Z
533/21	510	554	250,8	390,5	476,2	488,9	501,6	377,8	044.10396Z
559/22	510	585	263,5	415,9	501,6	514,3	527,0	403,2	044.10397Z
610/24	515	636	288,9	466,7	552,4	565,1	577,8	454,0	044.10398Z
660/26	520	687	314,3	517,5	603,2	615,9	628,6	504,8	044.10399Z

other lengths on request

Functional features

- Stop in opened position
- Hold-out detent
- Positive locking
- Stop in closed position
- Hold-in detent
- Detachable inner rail
- Self-closing device

•	• = standard
•	X = on request
X	- = special development
X	
•	
-	
-	

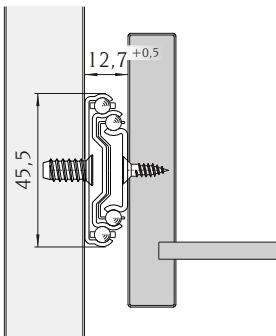
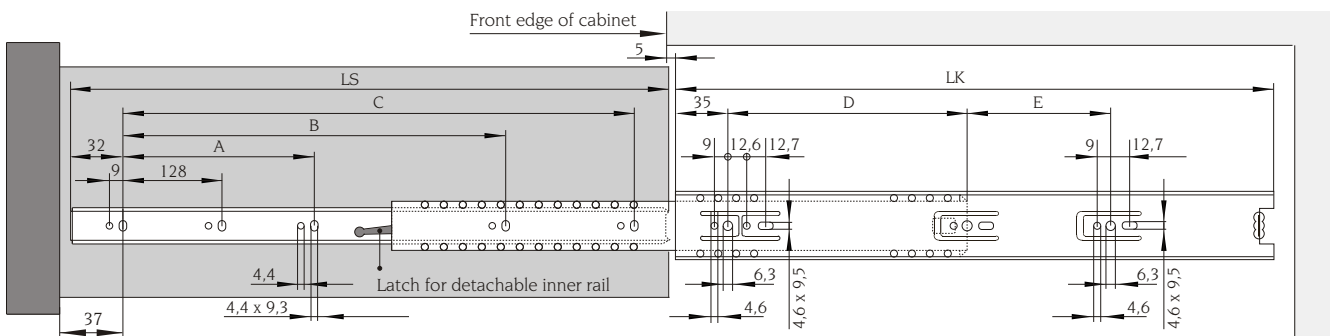
Conversion to positive locking function is possible by exchanging the latch at the inner slide rail.



Full extension - Series 072

- Load capacity 40 kg
- Detachable inner rail

- Material of slide rails: bright chromated steel
- Material of ball cages: steel and plastic
- Material of balls: hardened precision steel



Drawer depth [mm]	LS [mm]	LK [mm]	A [mm]	B [mm]	C [mm]	D [mm]	E [mm]	Slide travel [mm]	Article No.
300	300	300	—	—	242	192	—	305	072.08690Z
400	400	400	—	256	342	160	96	406	072.08692Z
450	450	450	—	256	392	160	160	457	072.08693Z
500	500	500	—	352	442	224	128	508	072.08694Z
550	550	550	224	416	492	224	192	559	072.08695Z
600	600	600	224	416	542	224	224	610	072.08696Z

other lengths on request

Cabinet fixing

- Spax-Screws -
- Euro-Screws •
- Bayonets X

Drawer fixing

- Spax-Screws •
- Euro-Screws -
- Bayonets X

Functional features

- Detent in opened position -
- Roll-out prevention •
- Self-closing device X

• = standard
X = on request
- = special development

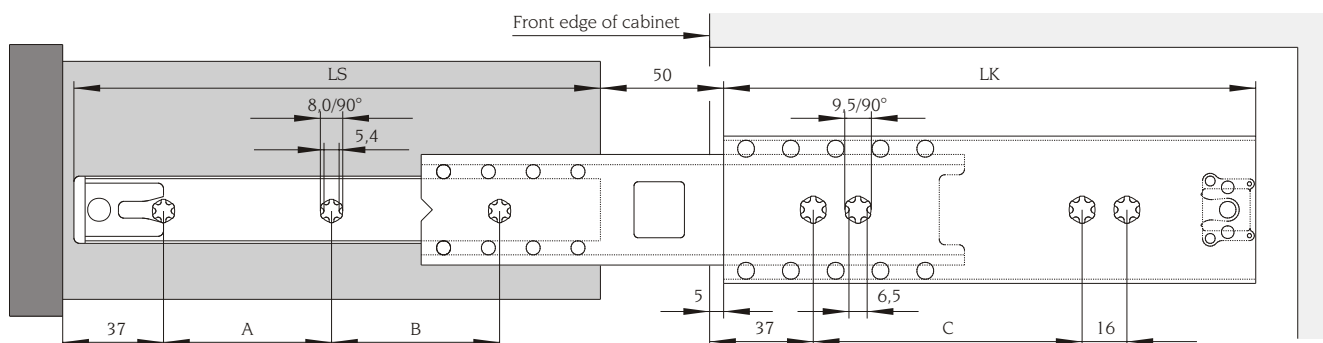
Integrated self-closing device available on request. Travel: 25 mm



Full extension - Series 036

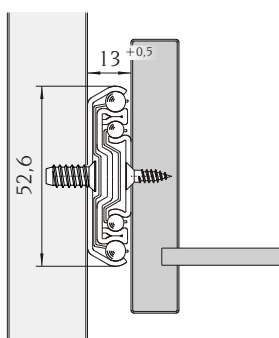
- Load capacity 50 - 65 kg
- Screw-on version

- Material of slide rails: zinc plated steel
- Material of ball cages: pre-zincated steel
- Material of balls: hardened precision steel



Drawer depth [mm]	LS [mm]	LK [mm]	A [mm]	B [mm]	C [mm]	Over-extension [mm]	Article No.
300	300	300	128	104	160	50	036.17110
350	350	350	128	152	256	50	036.17111
400	400	400	160	168	256	50	036.17112
450	450	450	160	224	256	50	036.17113
500	500	500	224	208	384	50	036.17114
550	550	550	224	256	384	50	036.17115
600	600	600	288	240	384	50	036.17116
650	650	650	288	288	384	50	036.17117
700	700	700	320	312	384	50	036.17118
750	750	750	320	360	384	50	036.17119

other lengths on request



Cabinet fixing

- Spax-Screws
- Euro-Screws
- Bayonets

-
-
- X

Drawer fixing

- Spax-Screws
- Euro-Screws
- Bayonets

-
-
- X

Functional features

- Detent in opened position
- Roll-out prevention
- Self-closing device

- X
-
- X

- = standard
- X = on request
- = special development

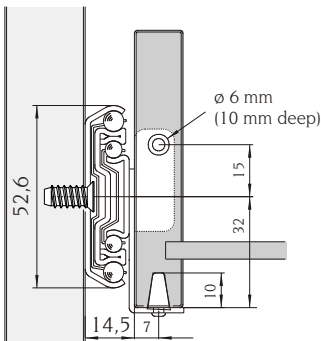
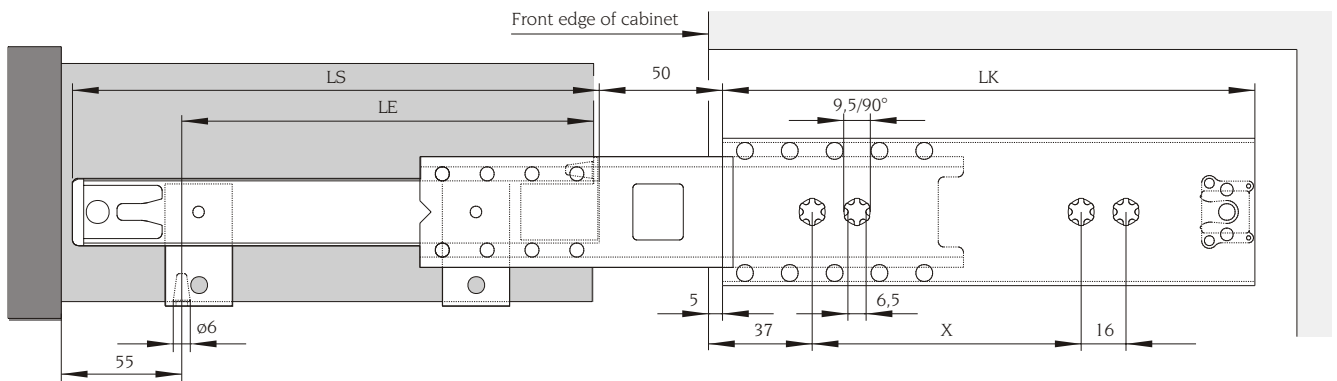
Integrated self-closing device available on request (optionally with damping feature).



Full extension - Series 036

- Load capacity 50 kg
- Retaining pins for wooden drawers
- Easy mounting and removal without tools

- Material of slide rails: zinc plated steel
- Material of ball cages: pre-zincated steel
- Material of balls: hardened precision steel



Drawer depth [mm]	LS [mm]	LK [mm]	LE [mm]	X [mm]	Over-extension [mm]	Article No.
300	300	300	248	160	50	036.17100
350	350	350	298	256	50	036.17101
400	400	400	348	256	50	036.17102
450	450	450	398	256	50	036.17103
500	500	500	448	384	50	036.17104
550	550	550	498	384	50	036.17105

other lengths on request

Cabinet fixing

- Spax-Screws
- Euro-Screws
- Dowels

Drawer fixing

- Retaining pins
- Snap-on clips
- Height adjustment device

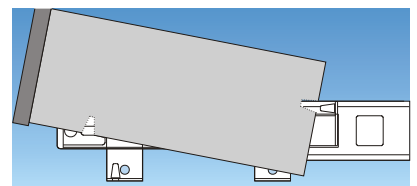
Functional features

- Detent in opened position
- Roll-out prevention
- Self-closing device

-
-
- X
-
-
-
- X
-
- X

- = standard
- X = on request
- = special development

Precision ball bearing slide with retaining pins for quick installation and removal of the drawer without tools.



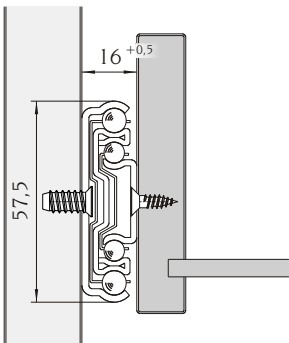
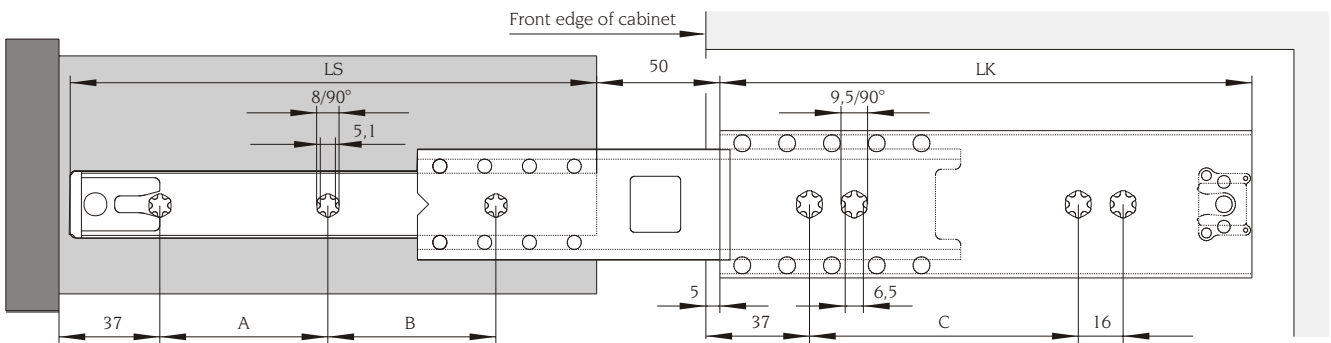
Integrated self-closing device available on request (optionally with damping feature).



Full extension - Series 037

- Load capacity 70 - 100 kg
- Screw-on version

- Material of slide rails: zinc plated steel
- Material of ball cages: pre-zincated steel
- Material of balls: hardened precision steel



Drawer depth [mm]	LS [mm]	LK [mm]	A [mm]	B [mm]	C [mm]	Over-extension [mm]	Article No.
300	300	300	128	104	160	50	037.06745
350	350	350	128	152	256	50	037.17710
400	400	400	160	168	256	50	037.17711
450	450	450	160	224	256	50	037.17712
500	500	500	224	208	384	50	037.17713
550	550	550	224	256	384	50	037.17714
600	600	600	288	240	384	50	037.17715
650	650	650	288	288	384	50	037.17716
700	700	700	320	312	384	50	037.17717
750	750	750	320	360	384	50	037.09889

other lengths on request

Cabinet fixing

- Spax-Screws -
- Euro-Screws •
- Bayonets X

Drawer fixing

- Spax-Screws •
- Euro-Screws -
- Bayonets X

Functional features

- Detent in opened position X
- Roll-out prevention •
- Self-closing device X

• = standard
X = on request
- = special development

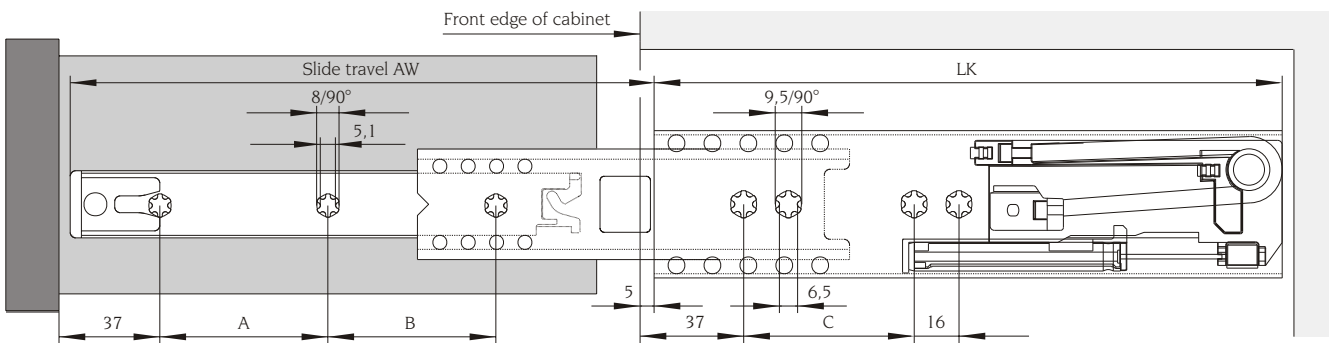
Integrated self-closing device available on request (optionally with damping feature).



Full extension - Series 037 "Soft Control"

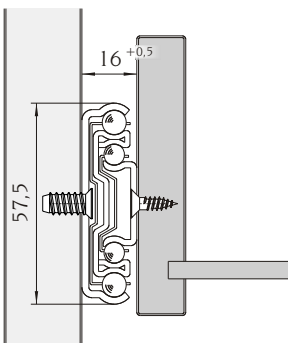
- Load capacity 40 - 70 kg
- Screw-on version
- Automatic closing with damping function

- Material of slide rails: zinc plated steel
- Material of ball cages: pre-zincated steel
- Material of balls: hardened precision steel



Drawer depth [mm]	AW [mm]	LK [mm]	A [mm]	B [mm]	C [mm]	Over-extension [mm]	Article No.
400	434	400	128	128	224	34	037.10471
450	484	450	160	160	256	34	037.10322
500	534	500	160	192	320	34	037.10323
550	584	550	192	192	320	34	037.10474

other lengths on request



Cabinet fixing

- Spax-Screws -
- Euro-Screws •
- Bayonets X

Drawer fixing

- Spax-Screws •
- Euro-Screws -
- Bayonets X

Functional features

- Detent in opened position X
- Roll-out prevention X
- Self-closing "Soft Control" •

- = standard
- X = on request
- = special development



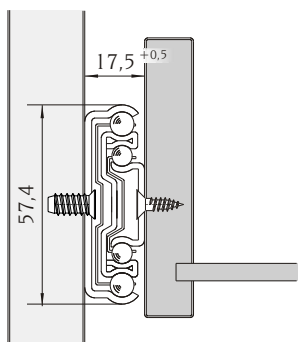
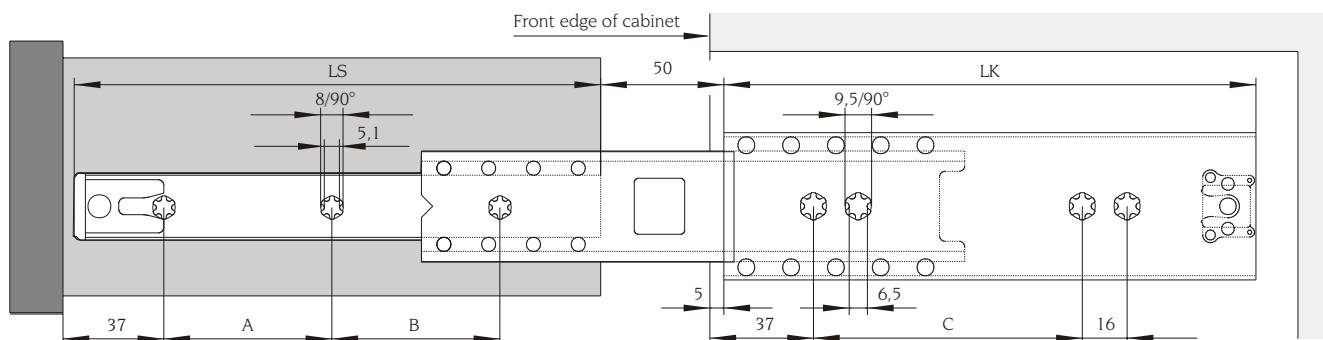
Both slides have an integrated self-closing device "Soft Control" with integrated damper. Travel: 50 mm



Full extension - Series 038

- Load capacity 70 - 100 kg
- Screw-on version

- Material of slide rails: zinc plated steel
- Material of ball cages: pre-zincated steel
- Material of balls: hardened precision steel



Drawer depth [mm]	LS [mm]	LK [mm]	A [mm]	B [mm]	C [mm]	Over-extension [mm]	Article No.
300	300	300	128	104	160	50	038.17870
350	350	350	128	152	256	50	038.17871
400	400	400	160	168	256	50	038.17872
450	450	450	160	224	256	50	038.17873
500	500	500	224	208	384	50	038.17874
550	550	550	224	256	384	50	038.17875
600	600	600	288	240	384	50	038.17876
650	650	650	288	288	384	50	038.17877
700	700	700	320	312	384	50	038.17878
750	750	750	320	360	384	50	038.17879

other lengths on request

Cabinet fixing

- Spax-Screws
- Euro-Screws
- Bayonets

-
-
- X

Drawer fixing

- Spax-Screws
- Euro-Screws
- Bayonets

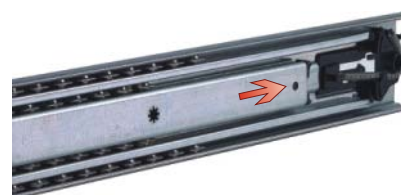
-
-
- X

Functional features

- Detent in opened position
- Roll-out prevention
- Self-closing device

- X
 -
 - X
- = standard
X = on request
- = special development

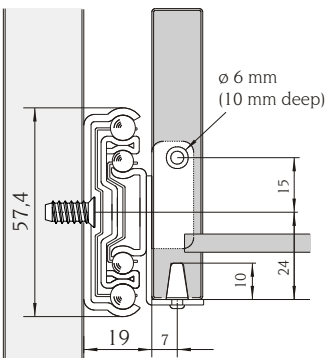
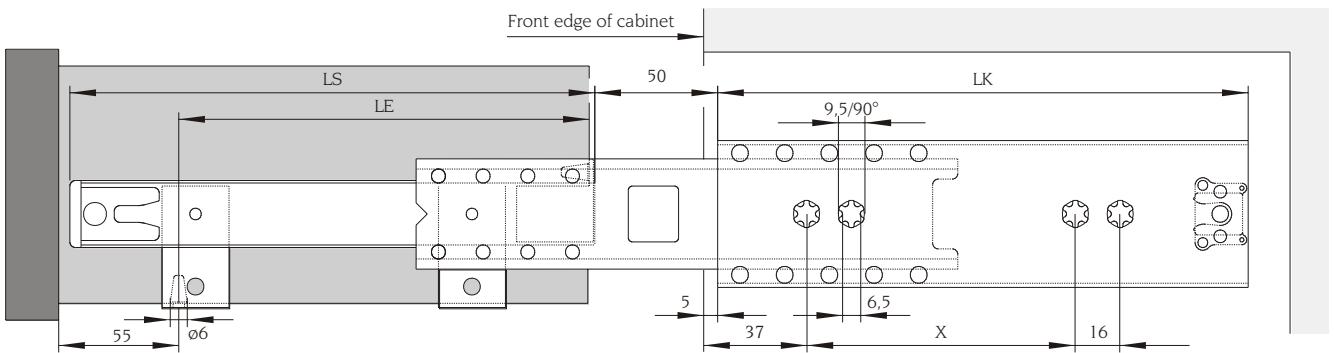
Integrated self-closing device available on request (optionally with damping feature).



Full extension - Series 038

- **Load capacity 70 kg**
- **Retaining pins for wooden drawers**
- **Easy mounting and removal without tools**

- Material of slide rails: zinc plated steel
- Material of ball cages: pre-zincated steel
- Material of balls: hardened precision steel



Drawer depth [mm]	LS [mm]	LK [mm]	LE [mm]	X [mm]	Over-extension [mm]	Article No.
300	300	300	248	160	50	038.17700
350	350	350	298	256	50	038.17701
400	400	400	348	256	50	038.17702
450	450	450	398	256	50	038.17703
500	500	500	448	384	50	038.17704
550	550	550	498	384	50	038.17705
600	600	600	548	384	50	038.17706
650	650	650	598	384	50	038.17707
700	700	700	648	384	50	038.17708
750	750	750	698	384	50	038.17709

other lengths on request

Cabinet fixing

- Spax-Screws
- Euro-Screws
- Dowels

Drawer fixing

- Retaining pins
- Snap-on clips
- Height adjustment device

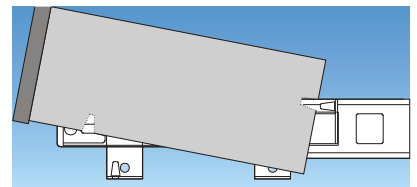
Functional features

- Detent in opened position
- Roll-out prevention
- Self-closing device

-
-
-
-
-
-
- X
-
- X

• = standard
X = on request
- = special development

Precision ball bearing slide with retaining pins for quick installation and removal of the drawer without tools.



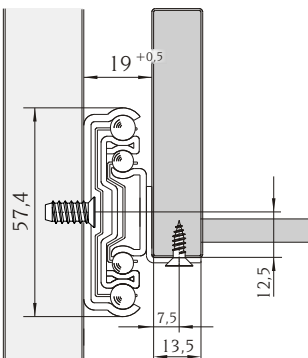
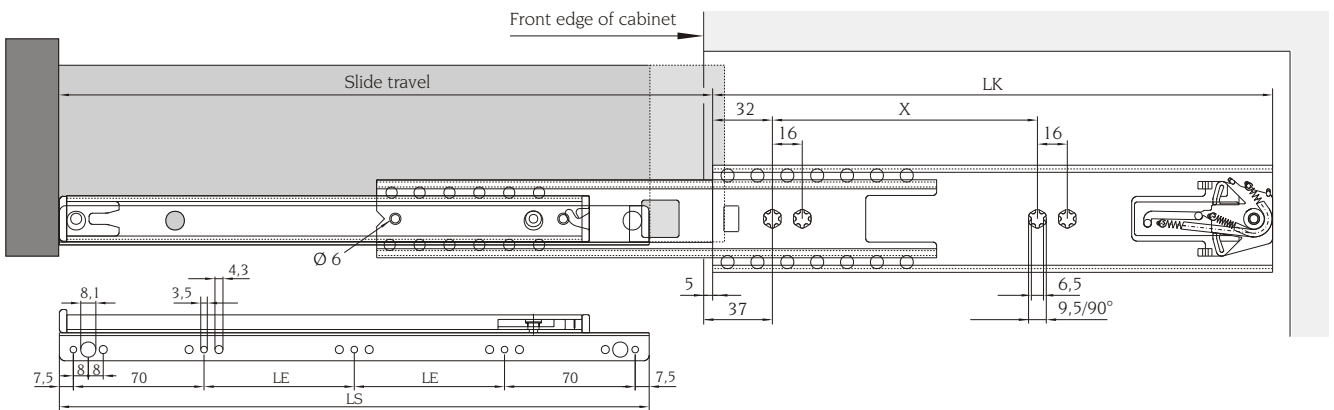
Integrated self-closing device available on request (optionally with damping feature).



Full extension - Series 038

- Load capacity 75 kg
- Support brackets
- Automatic closing function

- Material of slide rails: zinc plated steel
- Material of ball cages: pre-zincated steel
- Material of balls: hardened precision steel



Drawer depth [mm]	LS [mm]	LK [mm]	LE [mm]	X [mm]	Slide travel [mm]	Article No.
350 - 400	350	350	97,5	192	384	038.08821
450 - 500	450	450	147,5	256	484	038.08822
550 - 600	550	550	197,5	352	584	038.08823
700 - 750	700	700	272,5	384	734	038.08824

other lengths on request

Cabinet fixing

- Spax-Screws
- Euro-Screws
- Bayonets

Drawer fixing

- Support brackets
- Spax-Screws
- Wooden dowels Ø 8 mm

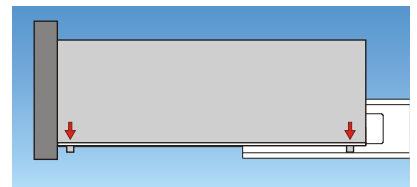
Functional features

- Detent in opened position
- Roll-out prevention
- Self-closing device (left+right)

-
-
- X
-
-
-
- X
- X
-

- = standard
- X = on request
- = special development

Full extension slide with support brackets e. g. for installation of drawers close to the bottom with wooden dowels Ø 8 mm.



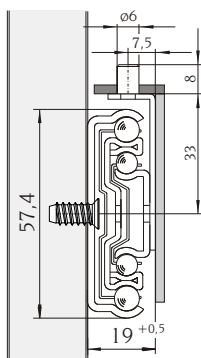
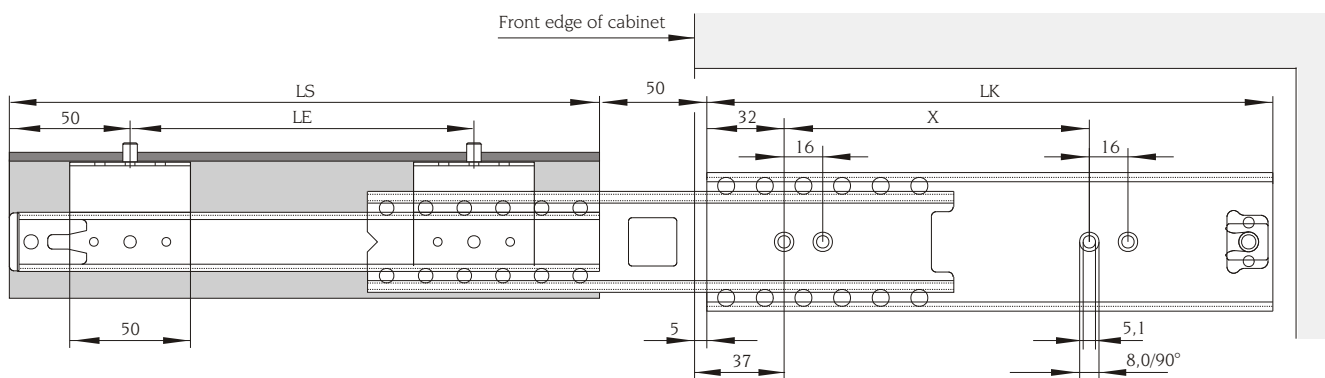
Both slides have an integrated self-closing device with adjustable spring. Travel: 25 mm



Full extension - Series 038

- Load capacity 75 kg
- Brackets with pin for metal platforms
- Easy mounting and removal without tools

- Material of slide rails: zinc plated steel
- Material of ball cages: pre-zincd steel
- Material of balls: hardened precision steel



Drawer depth [mm]	LS [mm]	LK [mm]	LE [mm]	X [mm]	Over-extension [mm]	Article No.
300	300	300	198	192	50	038.18286
350	350	350	248	192	50	038.18232
400	400	400	298	288	50	038.07731
450	450	450	348	288	50	038.18287
500	500	500	398	384	50	038.18288
550	550	550	448	384	50	038.18289

other lengths on request

Cabinet fixing

- Spax-Screws
- Euro-Screws
- Bayonets

-
-
- X

Drawer fixing

- Brackets with pin
- Screws
- Bayonets

-
-
-

Functional features

- Detent in opened position
- Roll-out prevention
- Self-closing device

- X
-
- X

- = standard
- X = on request
- = special development

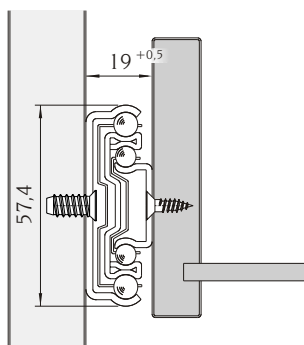
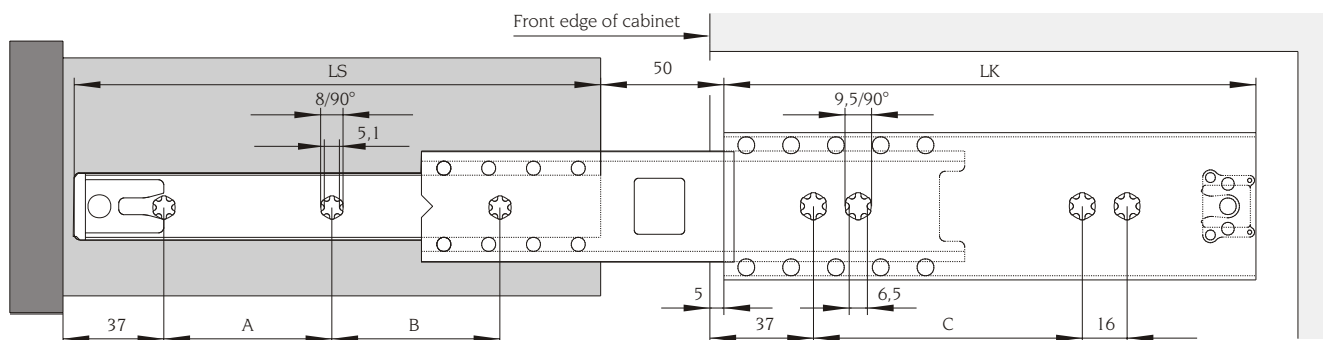
Grace to the brackets with pin, metal platforms can be easily installed and removed without tools.



Full extension - Series 039

- Load capacity 70 - 100 kg
- Screw-on version

- Material of slide rails: zinc plated steel
- Material of ball cages: pre-zincated steel
- Material of balls: hardened precision steel



Drawer depth [mm]	LS [mm]	LK [mm]	A [mm]	B [mm]	C [mm]	Over-extension [mm]	Article No.
300	300	300	128	104	160	50	039.07610
350	350	350	128	152	256	50	039.07611
400	400	400	160	168	256	50	039.07612
450	450	450	160	224	256	50	039.07613
500	500	500	224	208	384	50	039.07614
550	550	550	224	256	384	50	039.07615
600	600	600	288	240	384	50	039.07616
650	650	650	288	288	384	50	039.07617
700	700	700	320	312	384	50	039.07618
750	750	750	320	360	384	50	039.07619

other lengths on request

Cabinet fixing

- Spax-Screws -
- Euro-Screws •
- Bayonets X

Drawer fixing

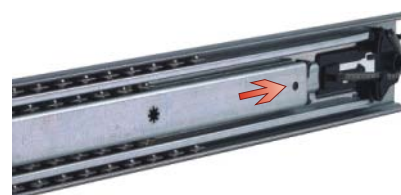
- Spax-Screws •
- Euro-Screws -
- Bayonets X

Functional features

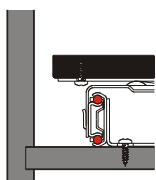
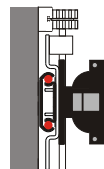
- Detent in opened position X
- Roll-out prevention •
- Self-closing device X

• = standard
X = on request
- = special development

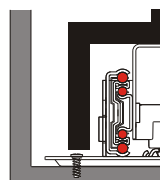
Integrated self-closing device available on request (optionally with damping feature).



Special slide systems

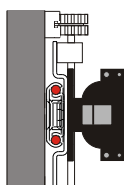


TV-Swivel

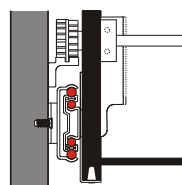


Pantry unit

Series	054	059
Load capacity [kg]	50 - 90	120
Height x width [mm]	var. x 320	80 x 160
Page	32	33



*Flap door system
with parallel guidance*



*Wide drawer full extension slide
with parallel guidance*

Series	016	038
Load capacity [kg]	25	90
Height x width [mm]	80 x 11,5	57,4 x 25,5
Page	34 - 35	36 - 37

TV-Swivel - Series 054

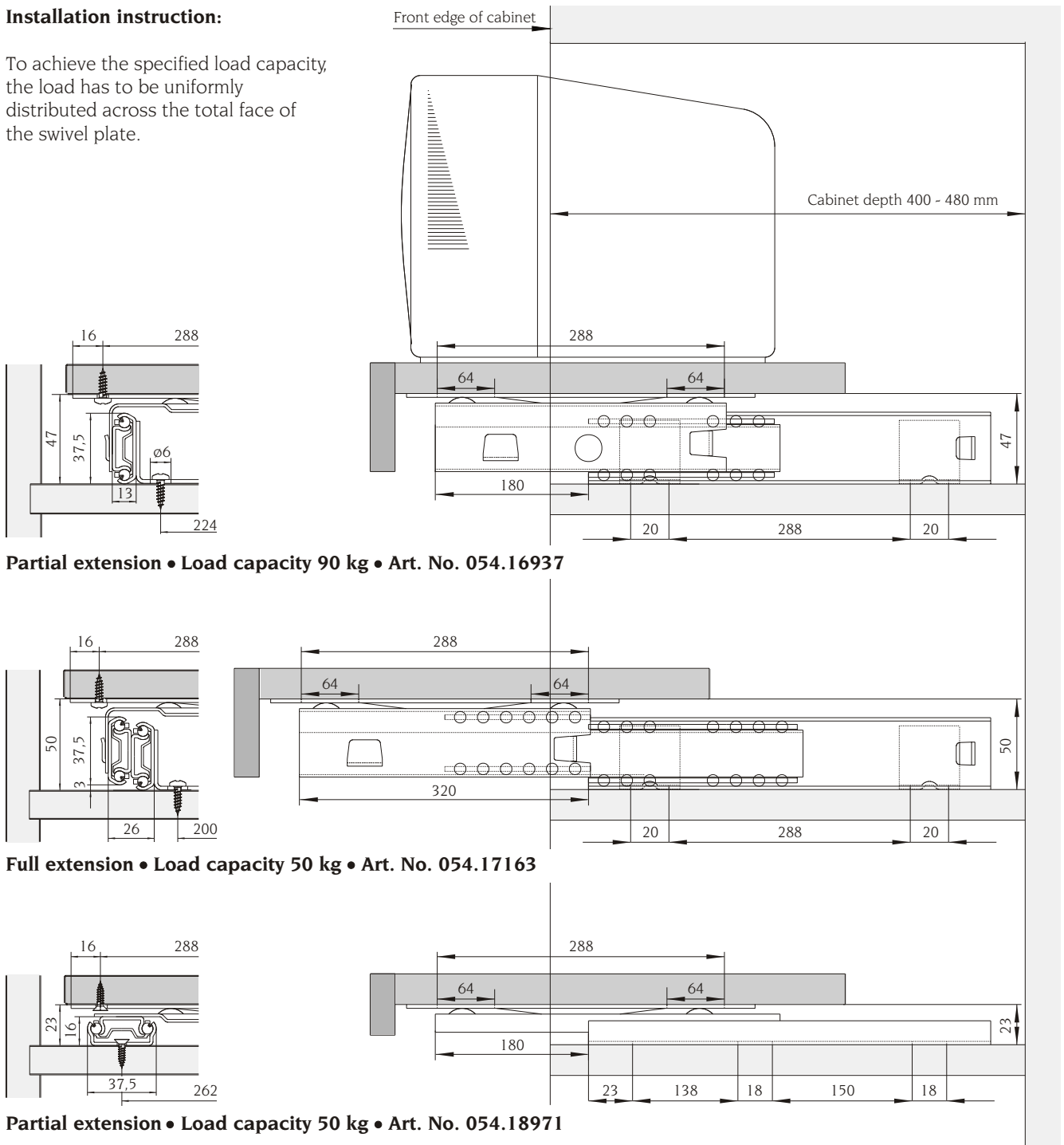
- Load capacity 50 - 90 kg
- Swiveling through 180°
- Smooth movement, high lateral stability

- Material of slide rails: zinc plated steel
- Material of ball cages: plastic
- Material of balls: hardened precision steel
- Finish of swivel plate: brown powder-coated



Installation instruction:

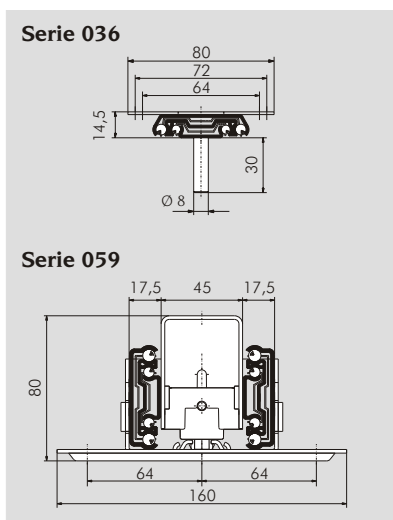
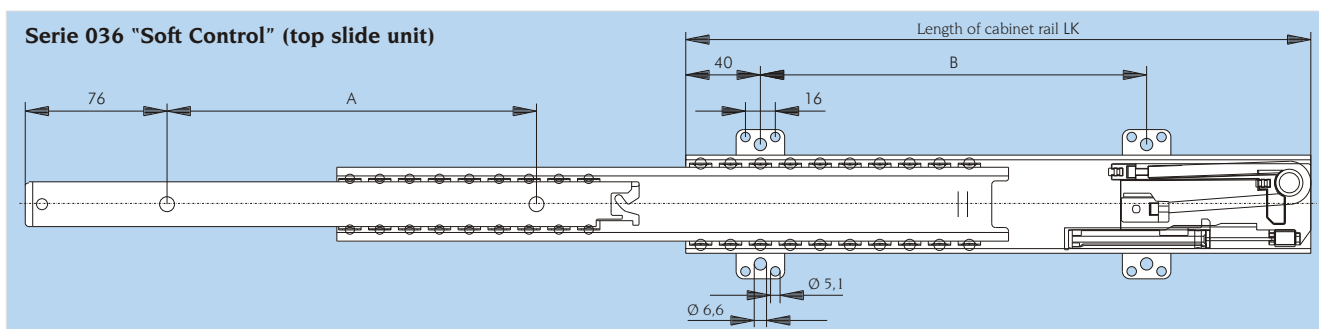
To achieve the specified load capacity, the load has to be uniformly distributed across the total face of the swivel plate.



High column pantry unit - Serie 059

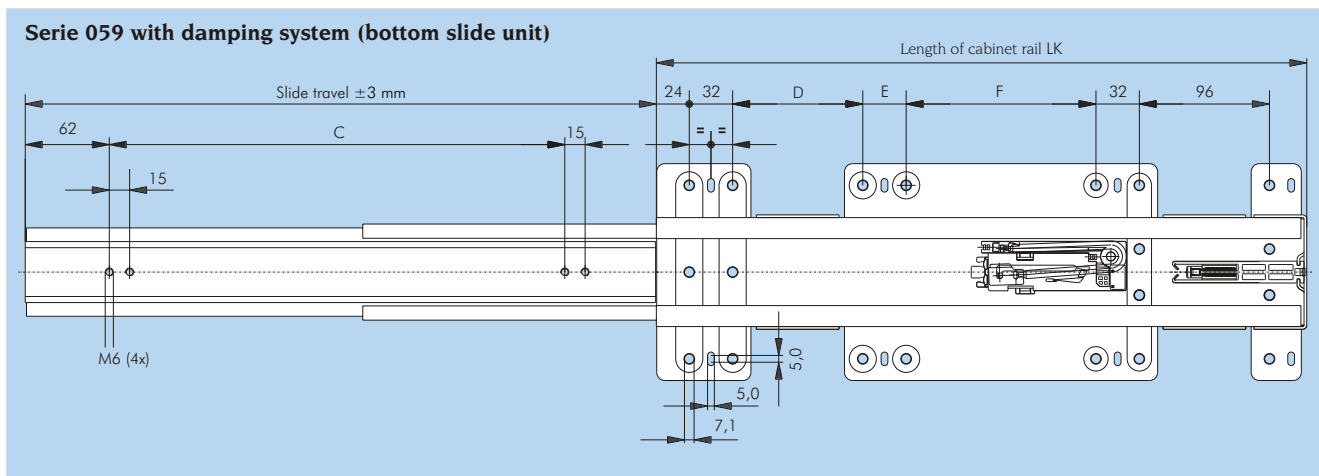
- Load capacity up to 120 kg
- 50 mm self-closing device with damper in both top and bottom slide unit
- Packed per set - ready to install

- Material of slide rails: zinc plated steel
- Material of ball retainers: pre-zincd steel
- Material of balls: hardened precision steel



Interior depth [mm]	LK [mm]	Slide travel [mm]	Top slide unit		Bottom slide unit				Set No.
			A [mm]	B [mm]	C [mm]	D [mm]	E [mm]	F [mm]	
485	480	465	320	352	336	96	32	140	059.10350

other lengths and hole patterns on request



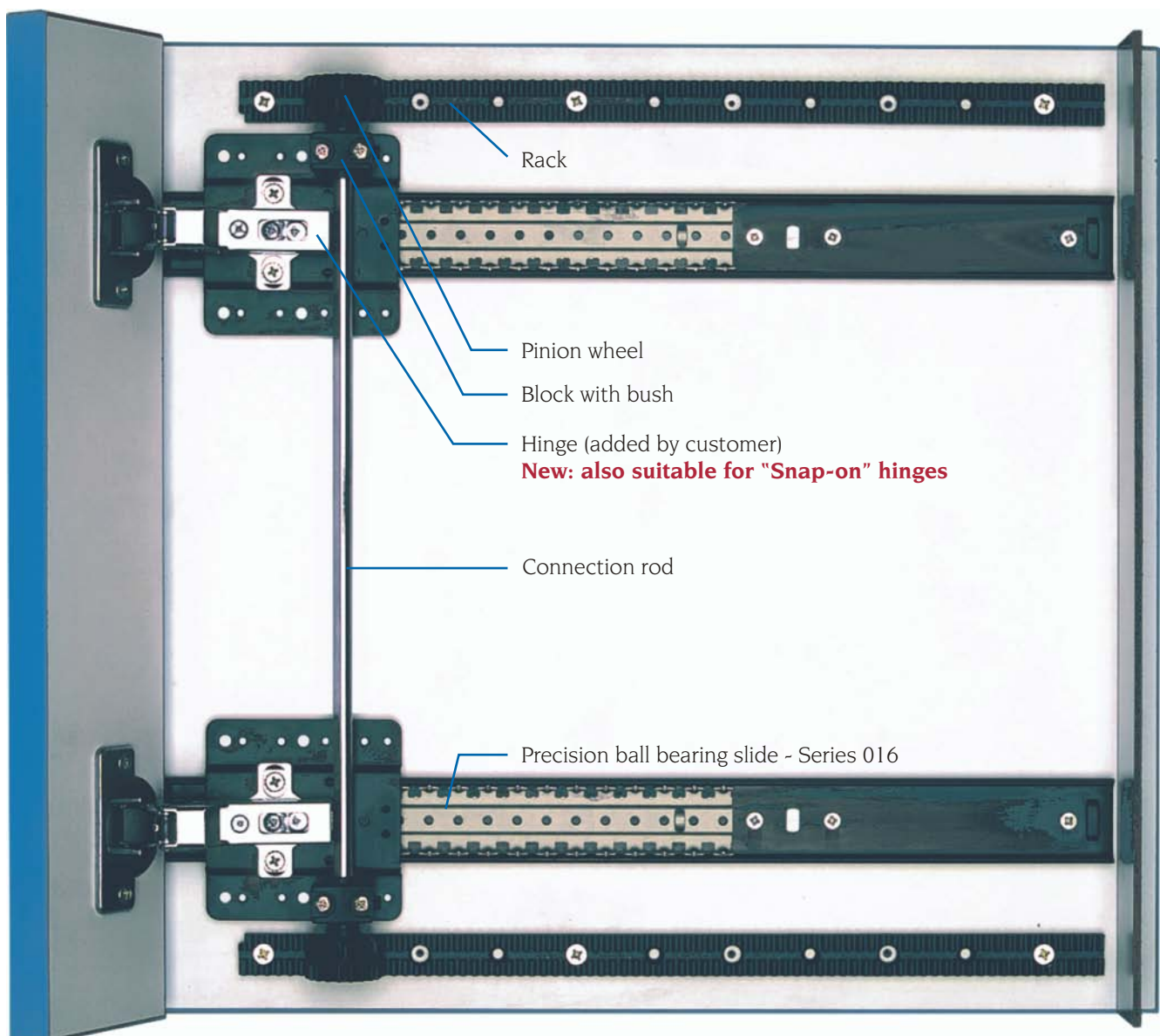
Flap door system - Series 016

- **Horizontal and vertical installation**
- **Door height 90 - 230 cm**
- **Rack+pinion parallel guidance (option)**

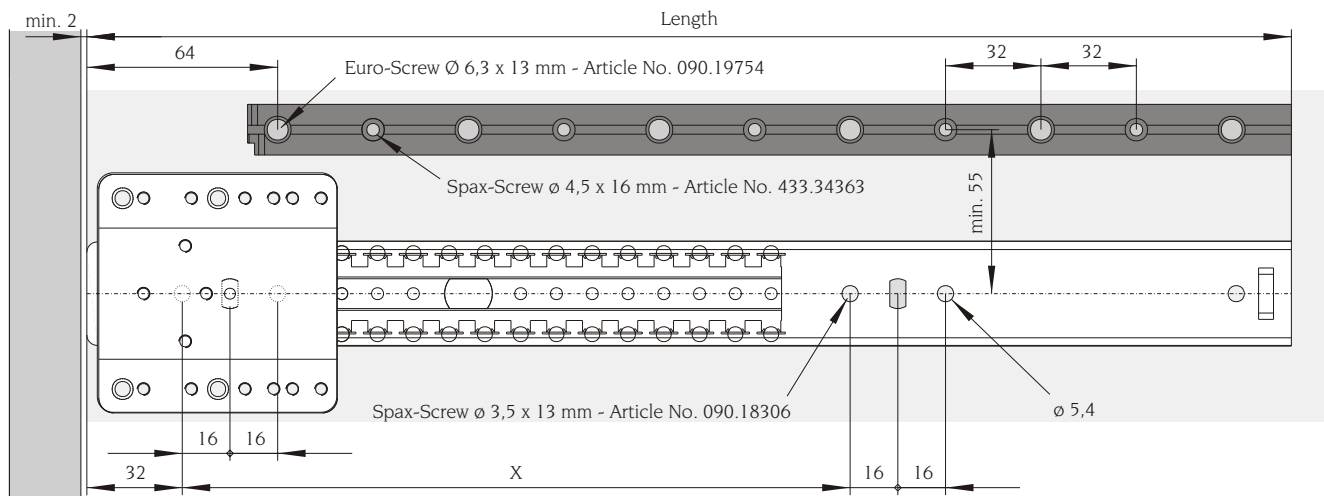
- Material of slide rails: zinc-iron-coated and black chromated precision steel
- Material of ball cages: pre-zincated steel
- Material of balls: hardened precision steel

Application:

Smooth and controlled movement of pocket doors and flaps. The parallel guidance synchronizes the movement of the individual ball bearing slides. Examples of use: HiFi-systems, TV-cabinets, filing cabinets, home bar, caravan equipment, office furniture.



Technical data - Order data



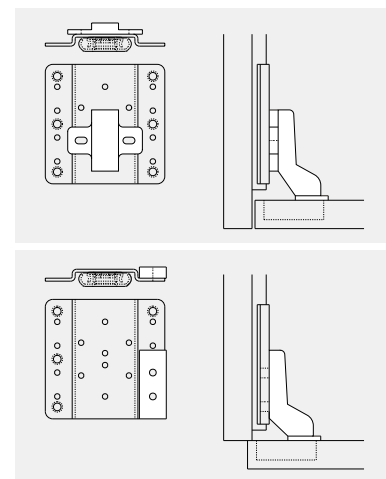
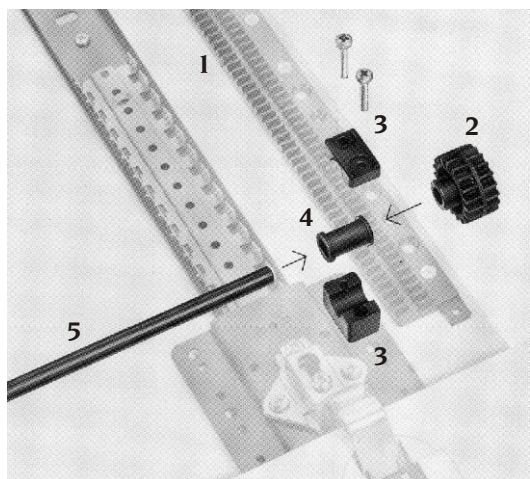
Precision ball bearing slide - Series 016

Length [mm]	Travel [mm]	X [mm]	Article No.
354	270	224	016.10380
404	320	224	016.10010
454	370	288	016.10011
504	420	288	016.10029

other lengths on request

Rack+pinion parallel guidance (option)

No.	Article	Length [mm]	Order example with 3 ball bearing slides	Article No.
1	Rack	532	2 pieces shorten to cabinet depth	090.18305
2	Pinion wheel		2 pieces 1 each per rack	090.17428
3	Block with screws M4 x 25 mm		3 pieces 1 each per ball bearing slide	090.17429
4	Bush		3 pieces 1 each per ball bearing slide	090.17430
5	Connection rod	2000	1 piece shorten to cabinet height or width	090.17991



The Schöck flap door system can be used for inlaid or overlaid doors, depending on the hinge type.

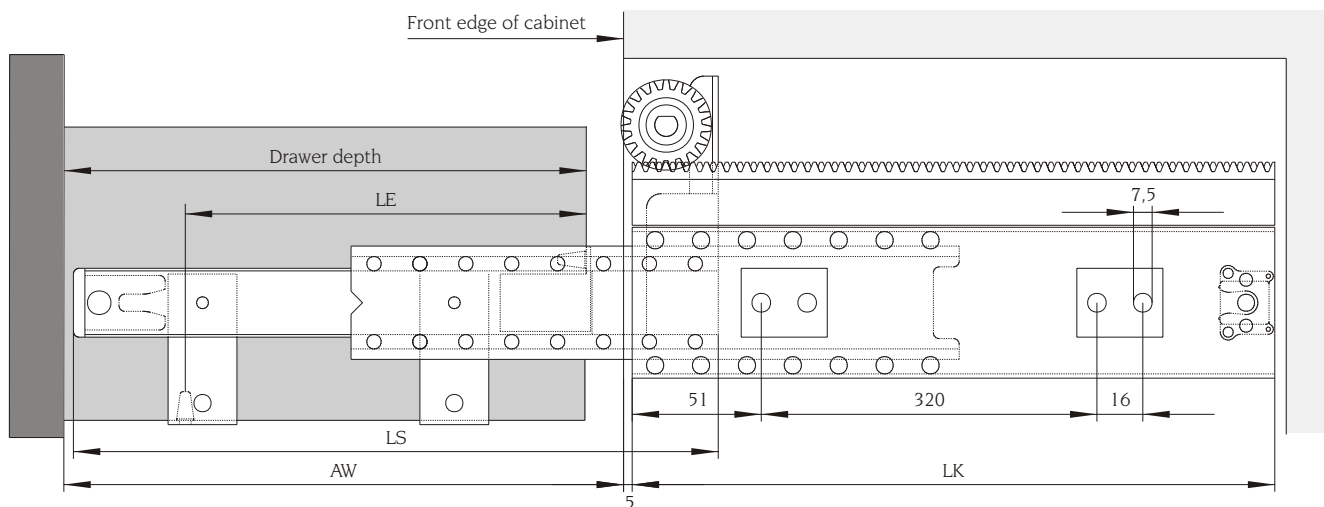
Wide drawer full extension - Series 038

- **Load capacity 90 kg**
- **Retaining pins for wooden drawers**
- **Rack+pinion parallel guidance**
- **Smooth and synchronized movement**

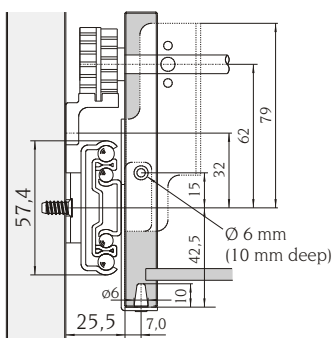
- Material of slide rails: zinc plated steel
- Material of ball cages: pre-zincated steel
- Material of balls: hardened precision steel



Technical data - Order data



Full extension slide - Series 038

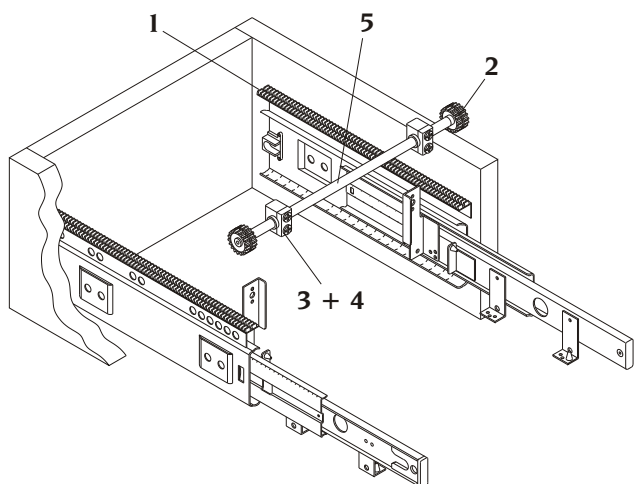


Drawer depth [mm]	Length of drawer rail LS [mm]	Length of cabinet rail LK [mm]	Slide travel AW [mm]	LE [mm]	Article No.
400	450	450	420	348	038.05588
450	500	500	470	398	038.05589
500	550	550	520	448	038.05590

other lengths on request

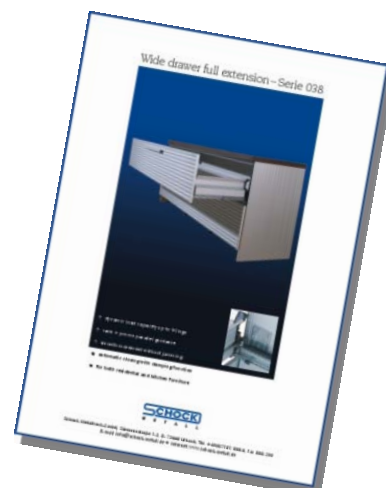
Rack+pinion parallel guidance

No.	Article	Length [mm]	Demand per unit	Installation instructions	Article No.
1	Rack	551	1 pair	shorten to length of cabinet rail	090.05094H
2	Pinion wheel		2 pieces		090.17428
3	Block with screws M4 x 25 mm		2 pieces		090.17429
4	Bush		2 pieces		090.17430
5	Connection rod	2000	1 piece	shorten to interior cabinet width - 20 mm	090.17991



Optional:

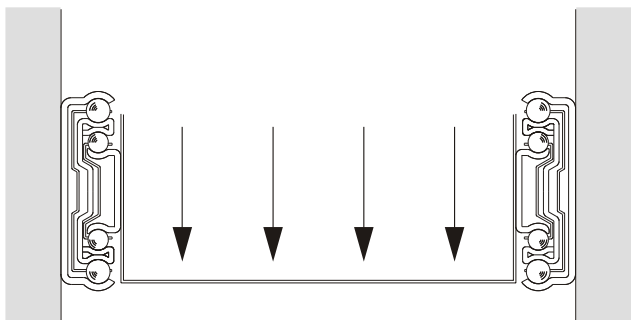
Wide drawer full extension slide with damped self-closing device. Please ask for special literature!



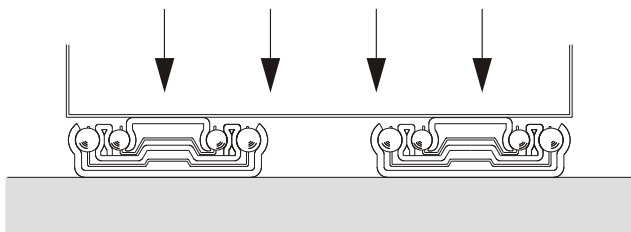
Technical explanations

Load capacity

The indicated load ratings are estimated values for a pair of vertically mounted slides with uniformly distributed load and optimal drawer and cabinet fixing, based on 100.000 cycles (opening and closing movements). With fewer cycles, a higher load rating is possible. Unfavourable conditions of use may lead to a reduction of load capacity. A horizontal installation of slides is possible but will reduce the load capacity by approx. 50-60%.



1 pair of slides, installed vertically



1 pair of slides, installed horizontally

Material and surface finish

The basic material for most of the slides from the standard programme is pre-zinc, cold-rolled precision coil steel. Its cathodic edge protection provides the optimum balance between quality and cost-effectiveness.

To obtain a special corrosion resistance, all slides can be made with alternative surface finish, e. g. with epoxy powder coating. The coating process developed by Schöck preserves the ball tracks, ensuring good running properties.

If you need a special solution, please do not hesitate to contact us. The datasheet shown on the opposite page will give you an overview of the required project information.

Functional features

Hold-out detent

The slide will engage when pulled out completely. This avoids an accidental push-in of the moving element. A hold-out detent will be released by a defined push-in force. A positive locking will be released by pressing simultaneously the latch of the left and the right slide.

Roll-out prevention (Hold-in detent)

The slide will engage when pushed in completely. This avoids an accidental run-out of the moving element. The detent will be released by exceeding a defined force when pulling-out.

Self-closing device (Automatic closing function)

When pushed in, the slide will automatically move the final 25 mm or 50 mm (depending on type) to its end position by use of a spring mechanism. Systems with damping function are available on request.

Detachable inner rail

This slide type allows the detachment of the inner rail from the slide by pressing a latch. When pushing-in the inner rail, the slide will be attached again.

Quality

The physical properties with self-cleaning ball tracks guarantee for a long durable, maintenance-free life. All slides from the standard programme are certified by the LGA. Regular customer audits and certificates show the consistently high efficiency of the Schöck quality management.

Environment

Schöck Metall is certificated according to ISO 14001 and belongs to the first industrial manufacturers in the region Stuttgart/Southern Germany who have implemented an environmental management system. Therefore, an economical and ecological lasting utilization of limited resources is ensured. Please ask for detailed information about our environmental goals and activities.

Project datasheet

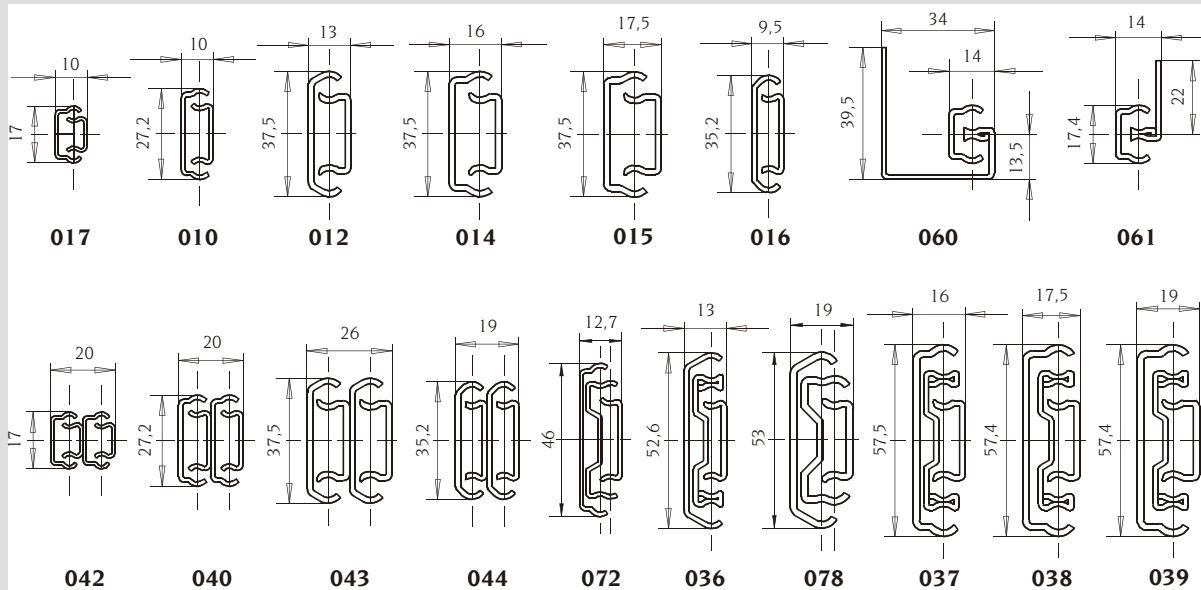
If you need a customized slide, please be kind enough to let us know some details of your project. We are looking forward to work out an optimum solution for your particular application.

Company, address: _____

Name, Function: _____

Tel., Fax, E-Mail: _____

Slide variant:



Branch / Application:

Interior cabinet dim.: Width: _____ mm Depth: _____ mm Height: _____ mm

Interior drawer dim.: Width: _____ mm Depth: _____ mm Height: _____ mm

Material: Cabinet: _____ Drawer: _____

Material thickness: Cabinet: _____ mm Drawer: _____ mm

Fixing: Cabinet: _____ Drawer: _____

Installation details: _____

Slide length: _____ mm Slide travel: _____ mm

Dynamic load capacity: _____ kg Cycles: _____

Surface finish: Drawer rail: _____

Cabinet rail: _____

Middle rail: _____

Ball cage: _____

Functional features: Stop () opened position () closed position

Detent () opened position () closed position

Self-closing () single-sided () double-sided

other features _____

Annual demand: _____ () pieces () pairs **Life time:** _____ years

Date for: Offer _____ Sample _____ Pre-serie _____ Serie _____

We offer our help.



Give us a call or write to us. Together you and your Schock specialist can work out the optimum solution for you.

SCHOCK
M E T A L L

Schock Metallwerk GmbH · Siemensstr. 1-3 · D-73660 Urbach · Tel. +49 7181 808-0 · Fax +49 7181 808-299
E-mail: info@schock-metall.de · Internet: www.schock-metall.de