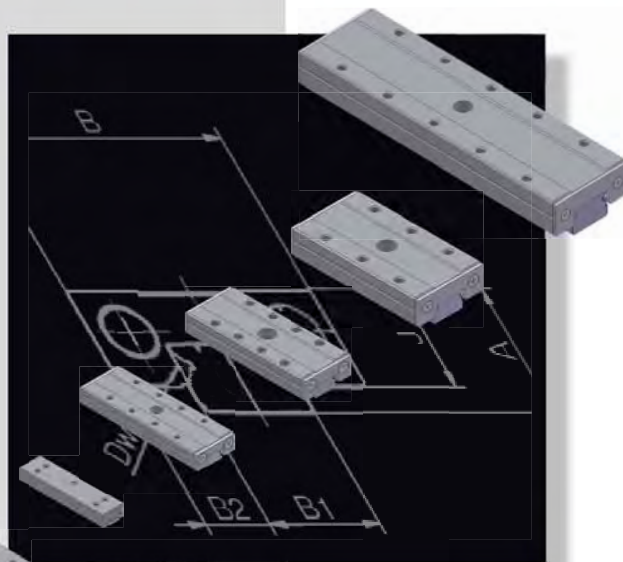


SCHNEEBERGER
LINEAR TECHNOLOGY



MINISLIDE

precise and robust
within the smallest envelope



g2

f2

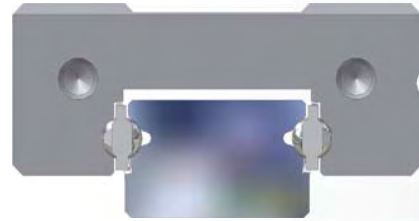
f1

L5

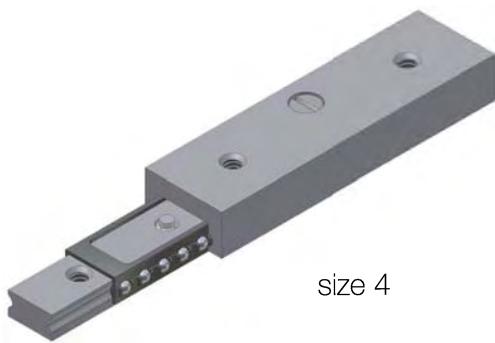
L4

MINISLIDE - At a Glance

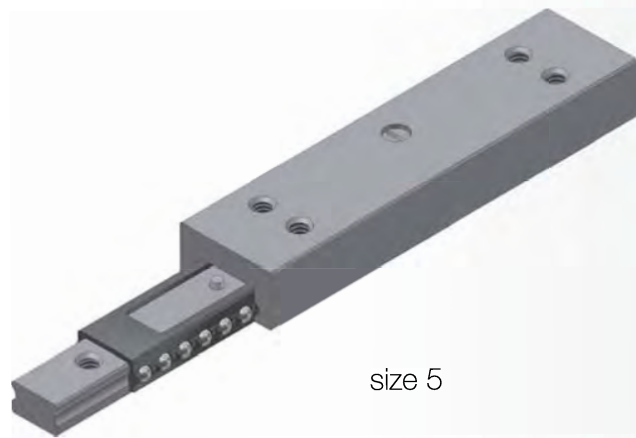
- » miniature guideway with gothic arch profiled ball track
- » 6 sizes: 4, 5, 7, 9, 12, 15 mm
- » lengths from 10 up to 130 mm
- » strokes from 6 up to 103 mm



- » cage centring mechanism for sizes 4 and 5:

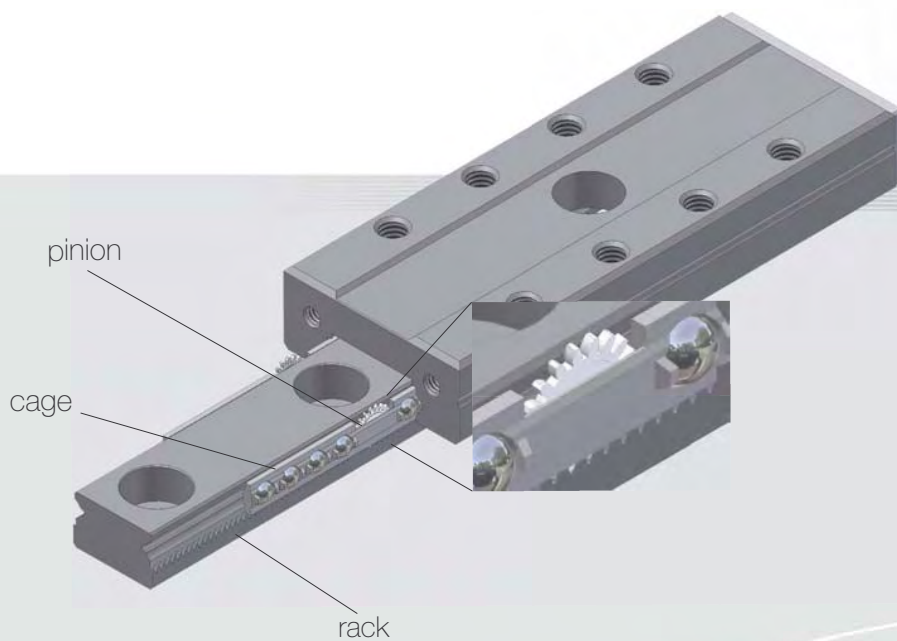


size 4



size 5

- » anti cage creep solution for sizes 7, 9, 12 and 15:



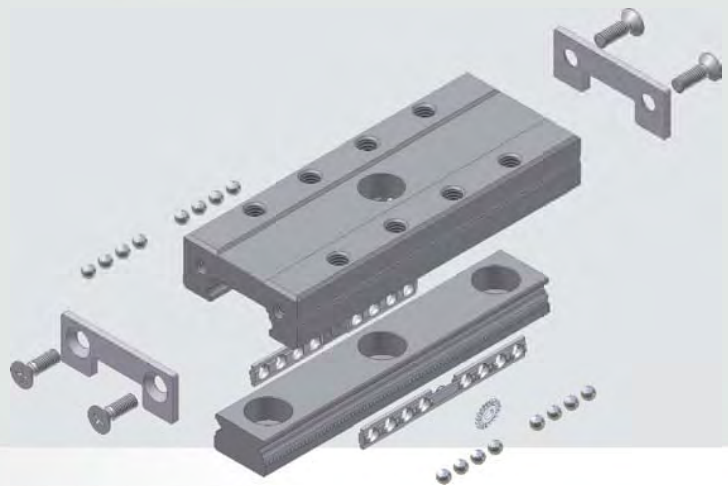
pinion

cage

rack

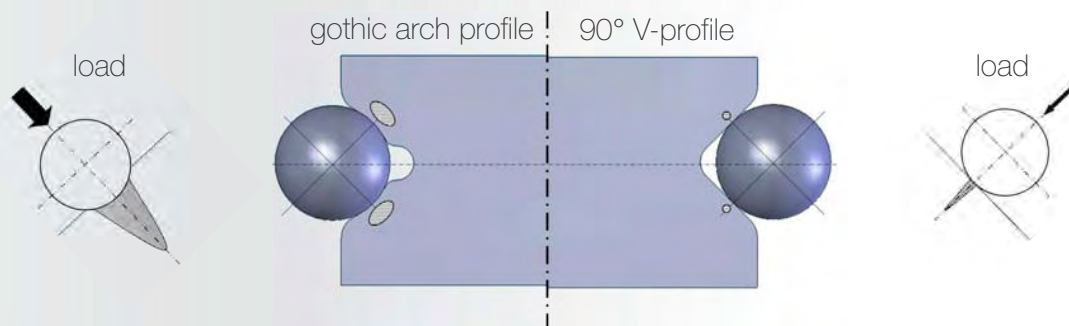
MINISLIDE - Benefits

- >> precise and robust
- >> for high speed and acceleration
- >> high travel accuracy
- >> high stiffness
- >> corrosion resistant materials
- >> no pulsation
- >> small sensibility towards shocks
- >> cage material: PEEK
(Polyetheretherketones)



MINISLIDE - Advantages of Gothic Arch Profile vs. 90° V-Profile

- >> less sensitive to shocks
- >> higher load capacity
- >> higher rigidity
- >> better process control in manufacturing
- >> better damping behaviour against vibrations

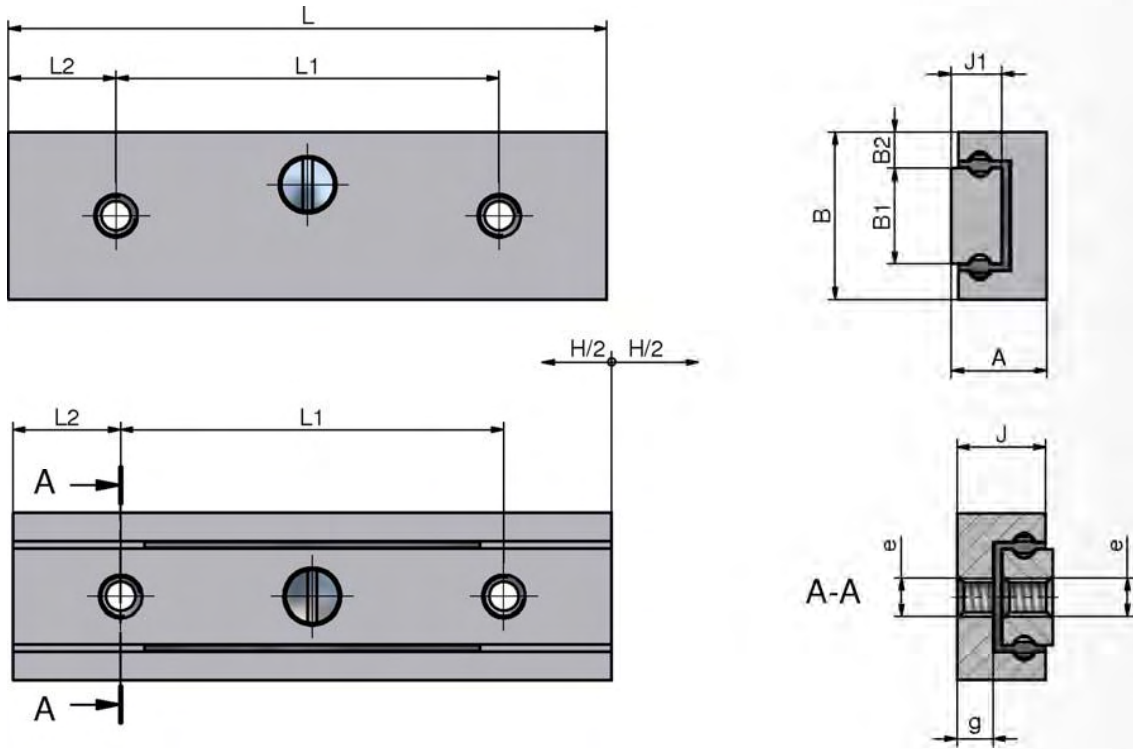


MINISLIDE - Application Fields

- >> medical equipment
- >> life science laboratory equipment
- >> semiconductor equipment
- >> optical industry
- >> metrology
- >> micro mechanics

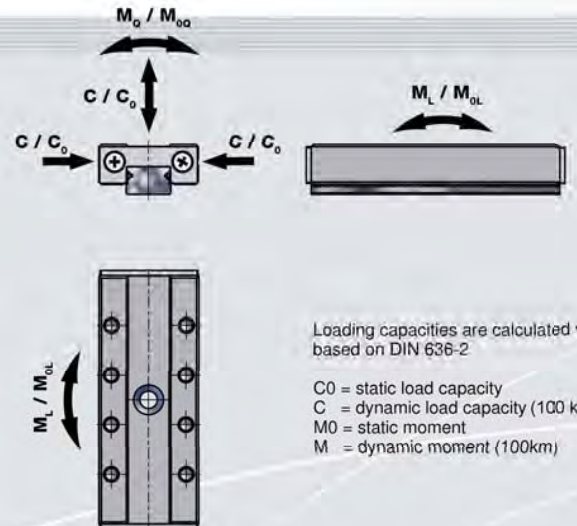


MINISLIDE - Dimensions MS Size 4

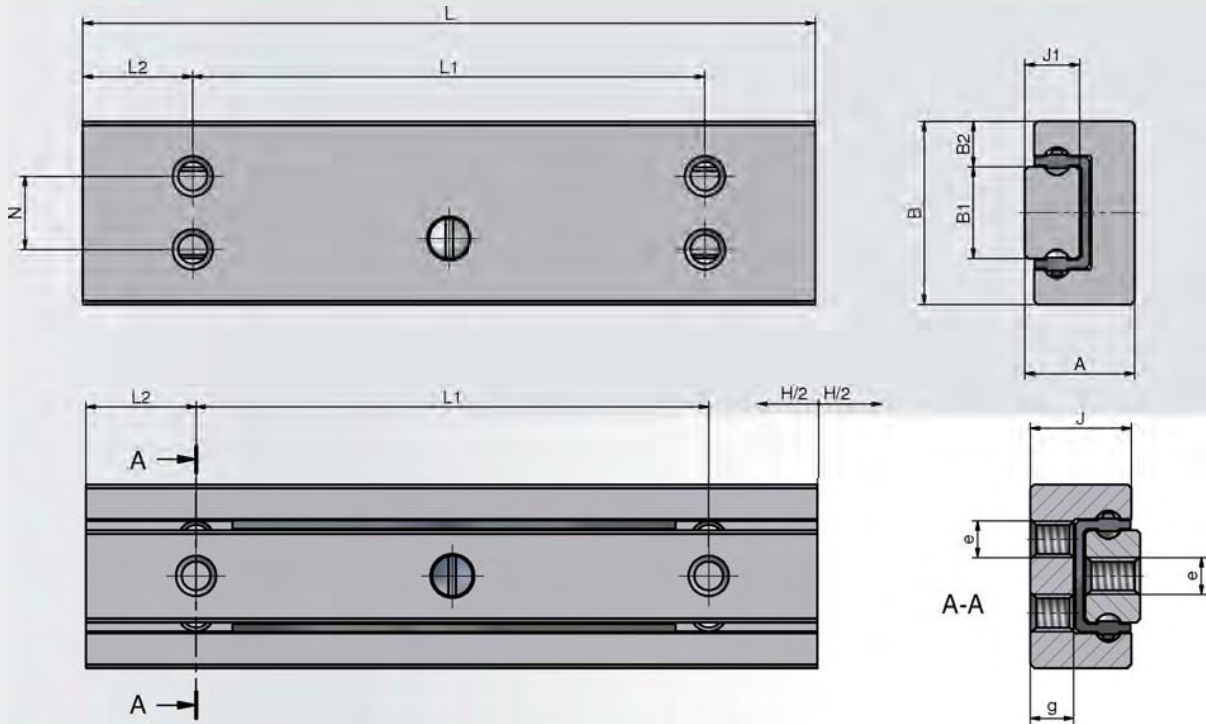


Type	Dimensions [mm]											
	A	B	B ₁	B ₂	J	J ₁	H	L	L ₁	L ₂	e	g
MS 4-10.6							6	10	1x5	2.5		
MS 4-15.12	4	7	4	1.5	3.7	2.1	12	15	1x8	3.5	M1.6	1.5
MS 4-20.15							15	20	1x12	4		
MS 4-25.22							22	25	1x16	4.5		

Type	Loading Capacities & Moments					
	C [N]	C ₀ [N]	M _Q [Nm]	M _{0Q} [Nm]	M _L [Nm]	M _{0L} [Nm]
MS 4-10.6	207	277	0.45	0.60	0.30	0.40
MS 4-15.12	242	347	0.52	0.75	0.42	0.61
MS 4-20.15	307	485	0.66	1.04	0.72	1.13
MS 4-25.22	337	555	0.72	1.19	0.88	1.46

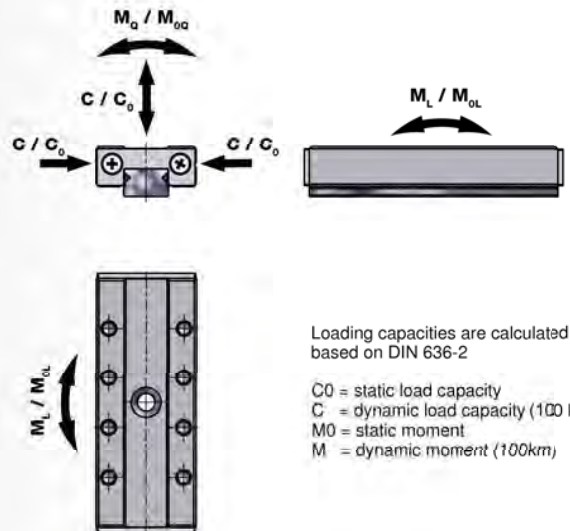


MINISLIDE - Dimensions MS Size 5



Type	Dimensions [mm]												
	A	B	B ₁	B ₂	J	J ₁	H	L	L ₁	L ₂	N	e	g
MS 5-15.8							8	15	1x8	3.5			
MS 5-20.13							13	20	1x12	4			
MS 5-30.20	6	10	5	2.5	5.5	3	20	30	1x20	5	4	M2	2.35
MS 5-40.31							31	40	1x28	6			
MS 5-50.42							42	50	1x36	7			

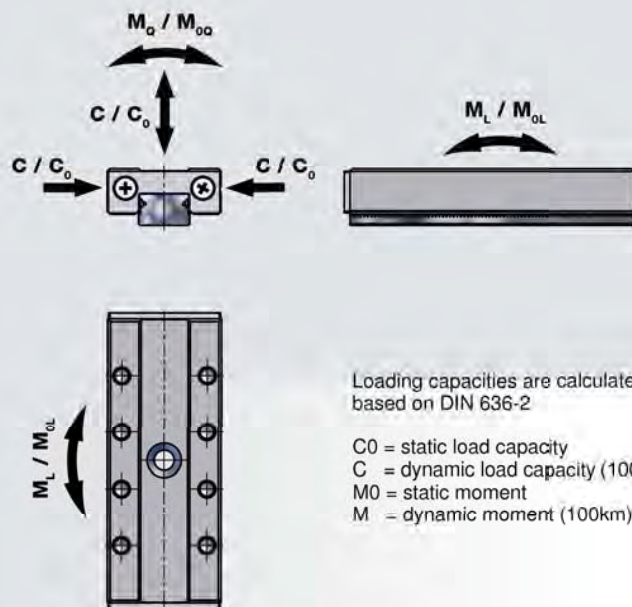
Type	Loading Capacities & Moments					
	C [N]	C ₀ [N]	M ₀ [Nm]	M _{0Q} [Nm]	M _L [Nm]	M _{0L} [Nm]
MS 5-15.8	568	780	1.59	2.18	1.25	1.72
MS 5-20.13	645	936	1.81	2.62	1.66	2.40
MS 5-30.20	857	1404	2.40	3.93	3.14	5.15
MS 5-40.31	987	1716	2.76	4.80	4.34	7.55
MS 5-50.42	1109	2028	3.11	5.68	5.69	10.41



Loading capacities are calculated values, based on DIN 636-2

C_0 = static load capacity
 C = dynamic load capacity (100 km)
 M_0 = static moment
 M = dynamic moment (100km)

MINISLIDE - Loading Capacities & Moments

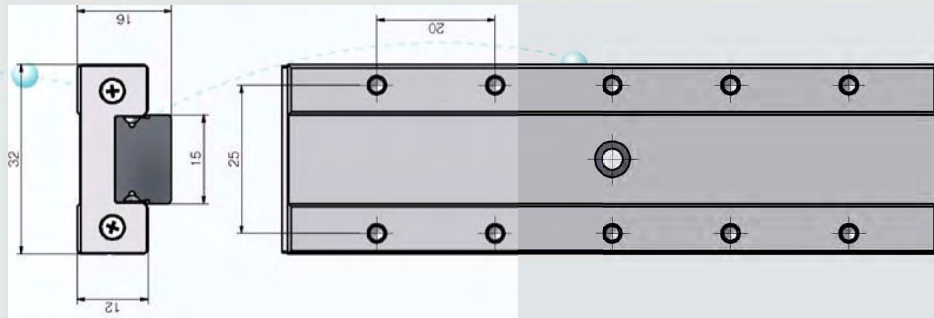


Loading capacities are calculated values, based on DIN 636-2

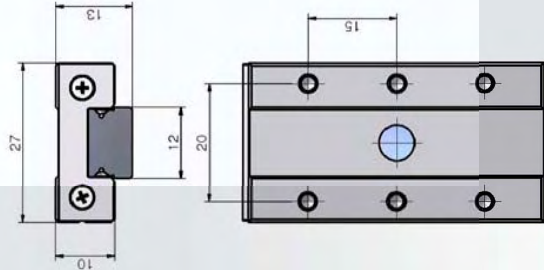
C_0 = static load capacity
 C = dynamic load capacity (100 km)
 M_0 = static moment
 M = dynamic moment (100km)

Type	Loading Capacities & Moments					
	C [N]	C_0 [N]	M_Q [Nm]	M_{0Q} [Nm]	M_L [Nm]	M_{0L} [Nm]
MS 7-30.25	645	936	2.3	3.4	2.6	3.8
MS 7-40.32	857	1404	3.1	5.1	4.4	7.2
MS 7-50.39	1049	1872	3.8	6.7	5.8	11.6
MS 7-60.50	1168	2184	4.2	7.9	8.0	15.0
MS 7-70.61	1282	2496	4.6	9.0	9.8	19.0
MS 9-40.34	1181	1664	5.5	7.7	6.2	8.7
MS 9-50.42	1444	2219	6.7	10.3	8.9	13.7
MS 9-60.50	1689	2774	7.9	12.9	12.1	19.8
MS 9-70.58	1918	3328	8.9	15.5	15.6	27.0
MS 9-80.66	2137	3883	9.9	18.1	19.4	35.3
MS 12-50.47	1887	2600	11.5	15.9	11.6	16.0
MS 12-60.53	2308	3467	14.1	21.1	16.7	25.1
MS 12-80.65	3065	5200	18.7	31.7	29.1	49.3
MS 12-100.77	3749	6934	22.9	42.3	44.2	81.7
MS 15-70.63	3384	4992	25.7	37.9	27.8	41.0
MS 15-90.71	4495	7489	34.2	56.9	48.5	80.8
MS 15-110.95	5007	8737	38.1	66.4	60.6	105.7
MS 15-130.103	5970	11233	45.4	85.4	87.9	165.4

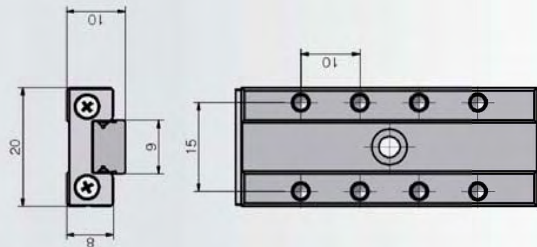
MS 15



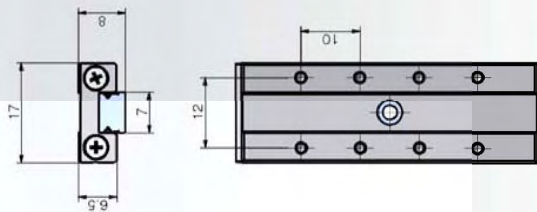
MS 12



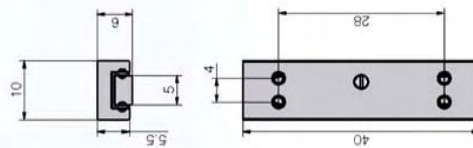
MS 9



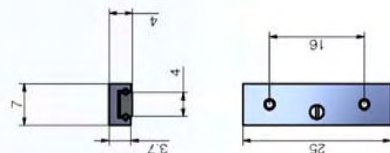
MS 7



MS 5



MS 4



For more detailed technical data please refer to:

www.schneeberger.com

SWITZERLAND
 SCHNEEBERGER AG
 St. Urbanstrasse 12
 4914 Roggwil/BE
 Phone +41 62 918 41 11
 Fax +41 62 918 41 00
 E-Mail: info-ch@schneeberger.com

GERMANY
 SCHNEEBERGER GmbH
 Gräfenau, Postfach 70
 75339 Höfen/Enz
 Phone +49 7081 782 0
 Fax +49 7081 782 124
 E-Mail: info-d@schneeberger.com

ITALY
 SCHNEEBERGER S.p.A.
 Via S. Gottardo, 10
 21021 Angera VA
 Phone +39 0331 93 2010
 Fax +39 0331 93 1665
 E-Mail: info-i@schneeberger.com

USA
 SCHNEEBERGER Inc.
 11 DeAngelo Drive
 Bedford, MA 01730
 Phone +1 781 271 0140
 Fax +1 781 275 4749
 E-Mail: info-usa@schneeberger.com

CHINA
 SCHNEEBERGER (Shanghai) Co., Ltd.
 Denghui Lu 1128, Minhand District
 Shanghai 201108
 Phone +86 21 6209 0037 / 27
 Fax +86 21 6209 0102
 E-Mail: info-cn@schneeberger.com

JAPAN
 Nippon SCHNEEBERGER KK
 3-23-12 Shimouma, Setagaya-ku
 Tokyo 154-0002
 Phone +81 3 5779 7339
 Fax +81 3 3487 6010
 E-Mail: info-j@schneeberger.com

