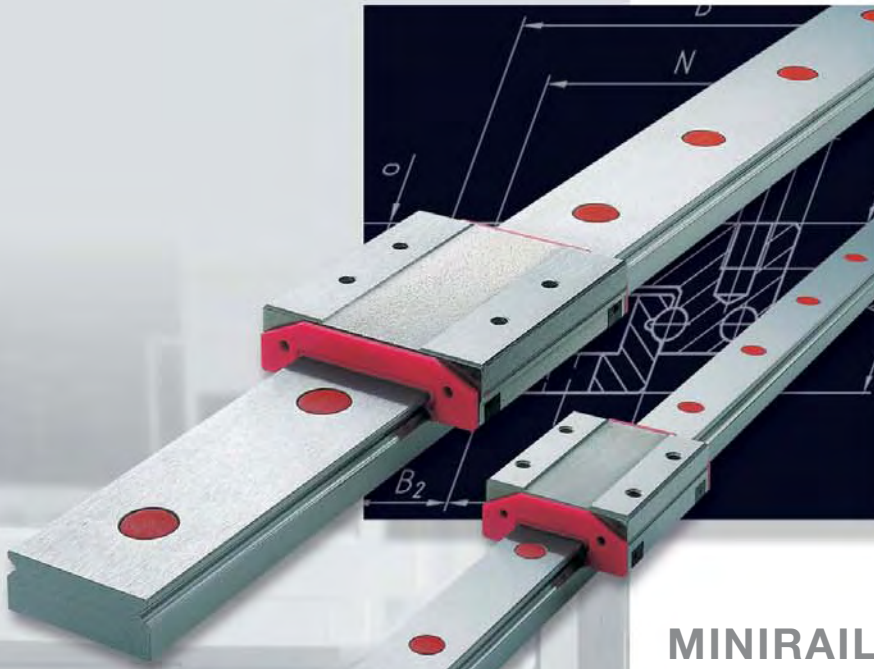


SCHNEEBERGER
LINEAR TECHNOLOGY



MINIRAIL
The Miniature Guideway

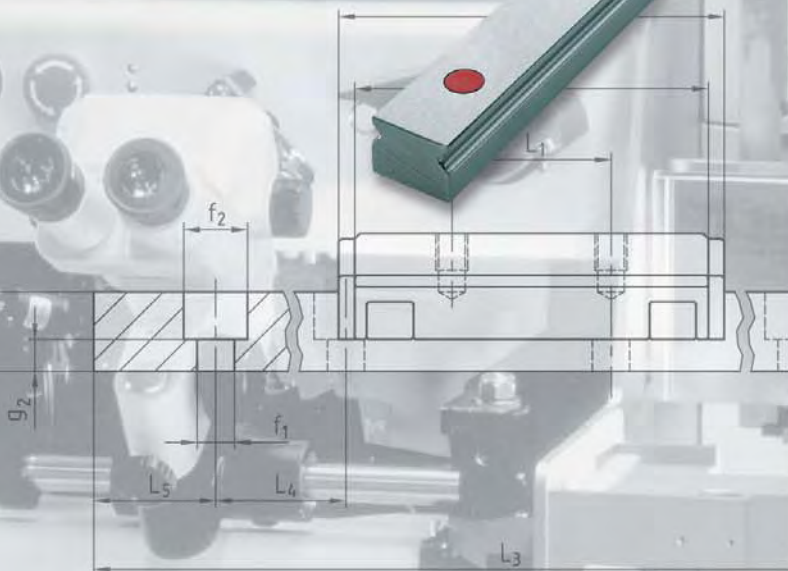


Table of Contents

1 Product Overview	
1.1 MINIRAIL	2
2 Technical Data	
2.1 Accuracy classes	8
2.2 Running accuracy Δ	8
2.3 Preload classes V0, V1	8
2.4 Rail information.	9
2.5 Lubrication	10
2.6 General data.	11
3 Dimension tables and ordering information	
3.1 Dimension table, loading capacities MINIRAIL sizes 7, 9, 12, 15.	12
3.2 Dimension table, loading capacities MINIRAIL sizes 14, 18, 24, 42.	13
3.3 Accessories	14
3.4 Ordering information MN	15
4 Dimensioning	
4.1 Dynamic loading capacity C	16
5 Mounting guidelines	
5.1 Tightening torques for rails and carriages	17
5.2 Configuration of the lateral location sides	18
5.3 Configuration of assembly surfaces	18
5.4 Geometrical and position accuracy of the support surfaces	19
5.5 Parallelism tolerances of the locating surfaces	19
5.6 Various	20

Product Overview

MINIRAIL - the range of high-precision guideways

MINIRAIL – The 2-row miniature ball and rail guideway with high stability

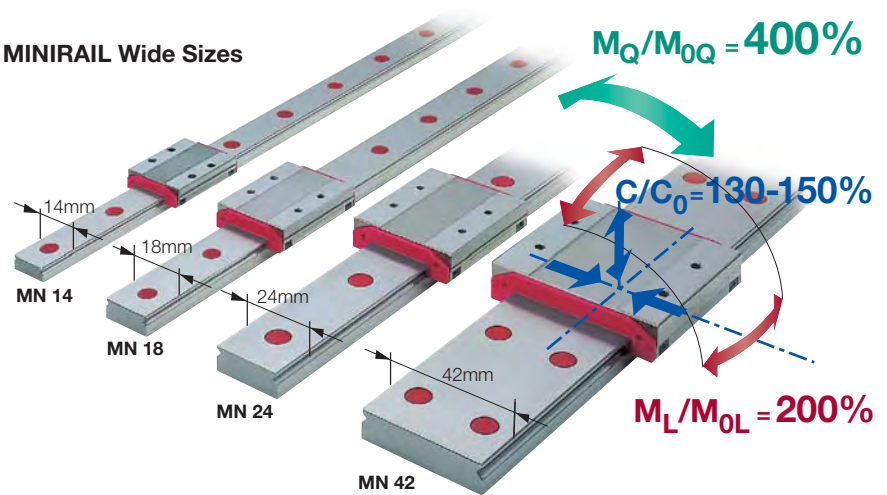
A quality product in accordance with the latest technological designs, consisting of a minimum number of components.

MINIRAIL in 8 sizes according to DIN standards

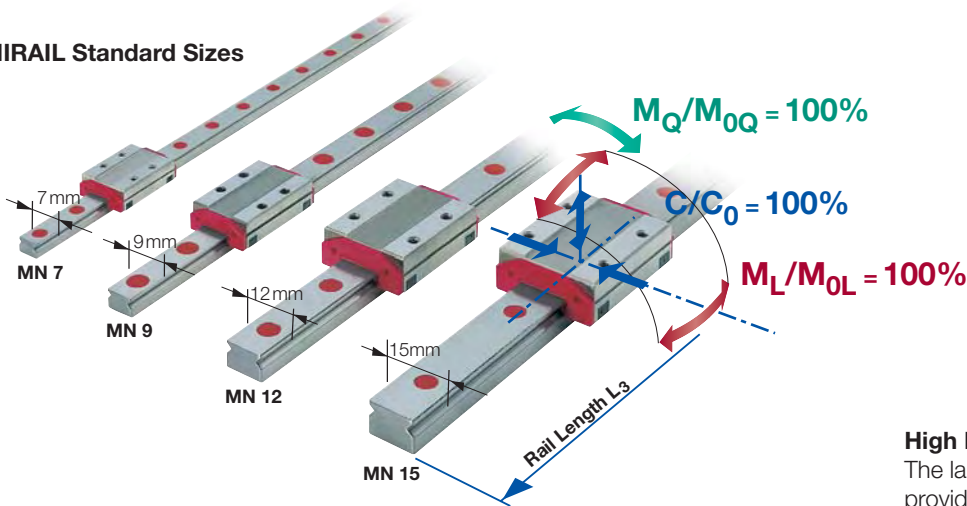
All installation and connection dimensions are in accordance with the DIN standard 645-2. The type designation of the individual products refers to the rail width in mm (e.g., MN 14 = rail width 14 mm).

The design of the running tracks is based on the proprietary SCHNEEBERGER know-how. An interchangeability of rail and carriages exists within the MINIRAIL ranges.

MINIRAIL Wide Sizes



MINIRAIL Standard Sizes



Rail Length L_3

Our manufacturing know-how makes it possible to produce precision rail lengths up to 980 mm, depending on the rail size. For custom applications, intermediate lengths are available.

High Load Values and Torque

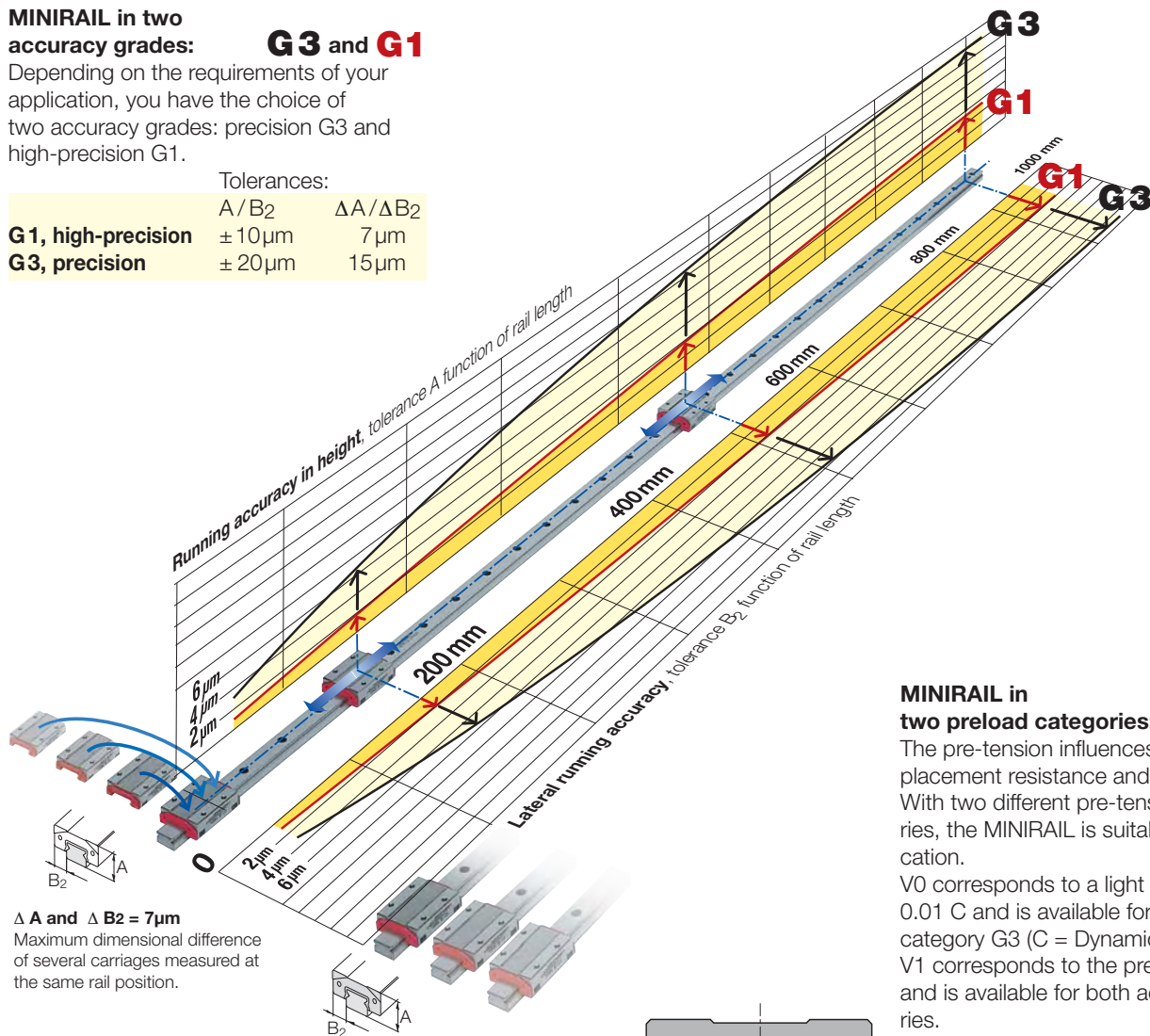
The large number of load-bearing balls provide the carriages with high permissible load values and torque. The MINIRAIL wide series in essence differ in the permissible transverse torque M_Q , which is up to 400% higher than that of the standard sizes.

Load-bearing values in accordance with the calculation DIN 636, part 2:
 C_0 = static load
 C = dynamic load (100 km)
 M_0 = static torque
 M = dynamic torque (100 km)

MINIRAIL in two accuracy grades: G3 and G1

Depending on the requirements of your application, you have the choice of two accuracy grades: precision G3 and high-precision G1.

	Tolerances:	
	A/B ₂	ΔA/ΔB ₂
G1, high-precision	±10 μm	7 μm
G3, precision	±20 μm	15 μm



MINIRAIL in two preload categories: V0 and V1

The pre-tension influences the rigidity, displacement resistance and service lifetime. With two different pre-tensioning categories, the MINIRAIL is suitable for your application.

V0 corresponds to a light preload of up to 0.01 C and is available for the accuracy category G3 (C = Dynamic load).

V1 corresponds to the preload 0 to 0.03 C and is available for both accuracy categories.

MINIRAIL Carriage interchangeability guarantee

The carriages are manufactured with high precision and are completely interchangeable. This makes a high degree of flexibility with respect to operations planning, stocking and assembly. As a result of the interchangeability, additional carriages can be installed onto an existing rail.

μm - Accuracy

Our manufacturing control of this precise dimension is decisive for the complete interchangeability of the rails from assembly to assembly and rail to rail.

MINIRAIL – Perfection to the last detail for the latest requirements of the technology:

- High accelerations of up to 300 m/s^2
- Incomparable

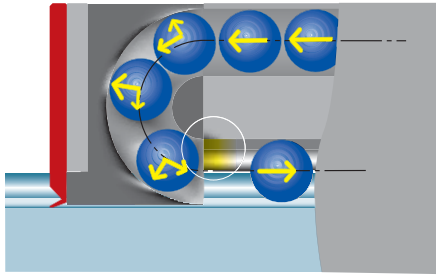
High acceleration values call for new solutions

In the case of gearwheel or ball screw drives, the maximum speed was limited by the design of the linear guideway. In newer designs, the guideway is subjected to very high stresses as a result of the use of linear motors - the acceleration values have highly increased. Schneeberger's recirculation element (shown here) has been developed to withstand high stresses from demanding applications.



Optimized Material Selection

The ball recirculation devices are made out of a plastic material, which is capable of being subjected to high loads. The smooth running track surfaces are perfectly capable of accommodating the enormous centrifugal forces of the balls.



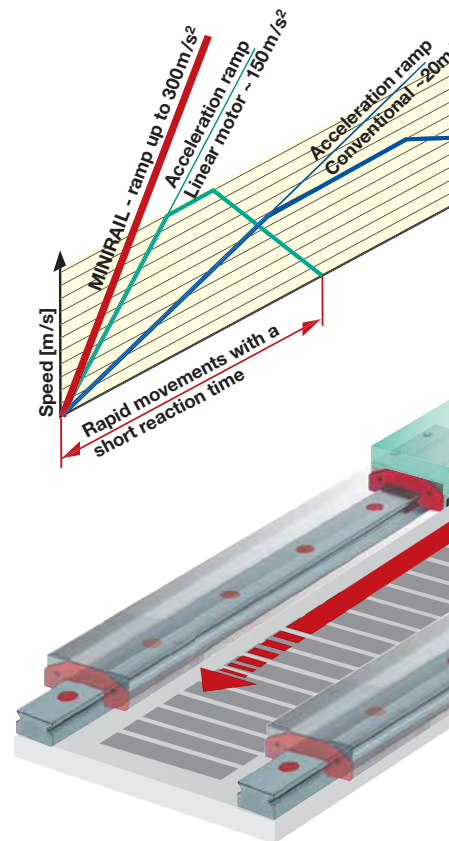
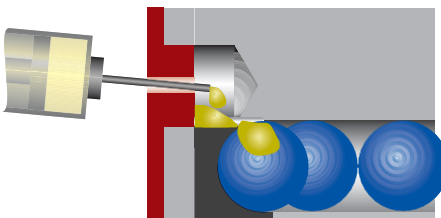
The Ball Entry Zone - A Decisive Point

The precise fine grinding of the ball entry position on the running track is crucial to the operational quietness and service life, especially in the case of carriages with pre-load. Here we have indeed produced our best work!

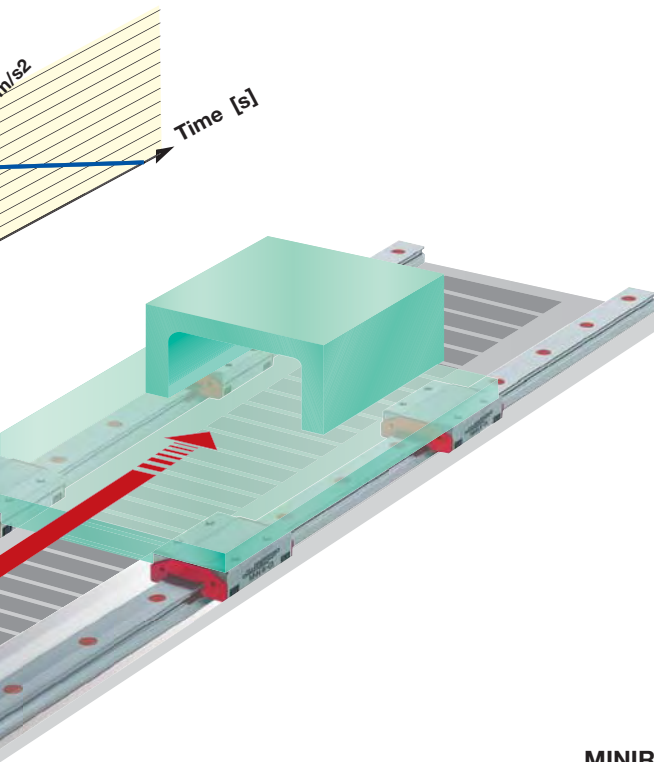
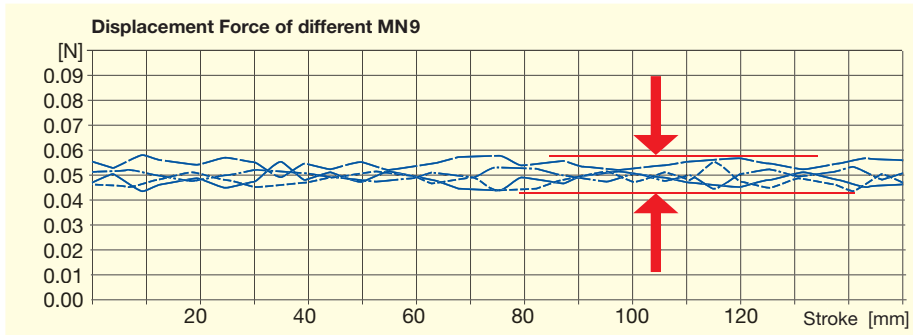


Direct Lubrication

Two lubrication bores in each front plates allow the direct lubrication of the ball recirculation system. The initial lubrication is applied at Schneeberger.



smoothness • Durable precision



Measurable Smoothness and Displacement Force

Running quietness and displacement force are important characteristic features of the guideway. The MINIRAIL carriages are interchangeable and the values from carriage to carriage must only vary to the least possible degree.

Carriages without Front Plates

Should the protective - and wiping function of the front plates not be required, the front plates can be removed easily. As a result, the displacement resistance is reduced significantly.

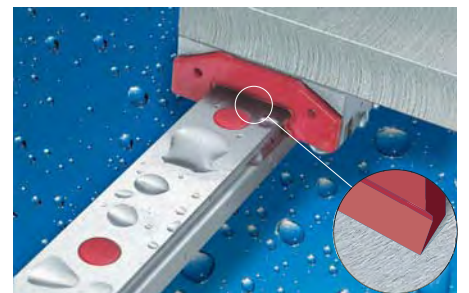
Carefully Contoured Front Plates

To obtain quietness and extended life, rail and carriage assemblies require clean running surfaces - even under unfavorable conditions. Our MINIRAIL carriages are equipped with rail-wiping, contoured front plates.



MINIRAIL rails and carriages

All rails and carriages are manufactured from corrosion-resistant, through-hardened steel and are suitable for utilization in the most diverse applications, such as clean room conditions.

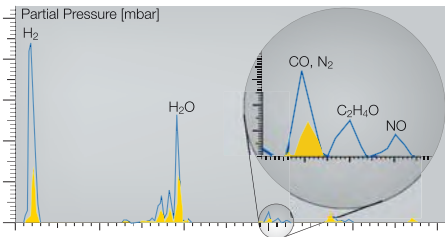


SCHNEEBERGER - MINIRAIL is synonymous for reliability, competence and perfection in



Installed and Lubricated for Clean-Room Conditions

Every single MINIRAIL - component is shipped clean. The complete assembly and the packaging are carried out in a clean-room environment. The lubrication is suitable for clean-room conditions. Our standard plastic packaging keeps the carriages and rails absolutely clean during shipping and storage.



Plastic Materials suitable for High-Vacuum Conditions

Laboratory test confirmed that elements identified, such as water (H₂O) and hydrogen (H₂) are not trapped in the MINIRAIL carriage body.



Perfection with Plastic Plugs

Plastic plugs in the rail mounting holes prevent the accumulation of any dirt.

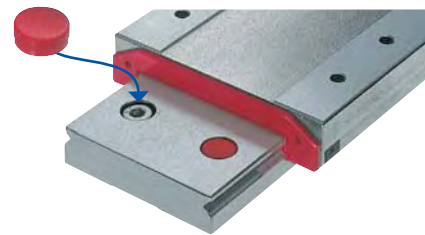
Protective Packaging

Carriages and rails are packed carefully and ready for installation.



Ball Retention Device for Easy Handling

If a carriage is removed from the rail or is being prepared for installation, the balls are always retained in the carriage by a special ball retaining device. This makes handling significantly easier and is a prerequisite for quickly changing the carriages.



MINIRAIL - Protective Rail

MINIRAIL - carriages are shipped on a protective rail, in order to prevent any impairment by dirt or debris.

all types of designs - all over the world.



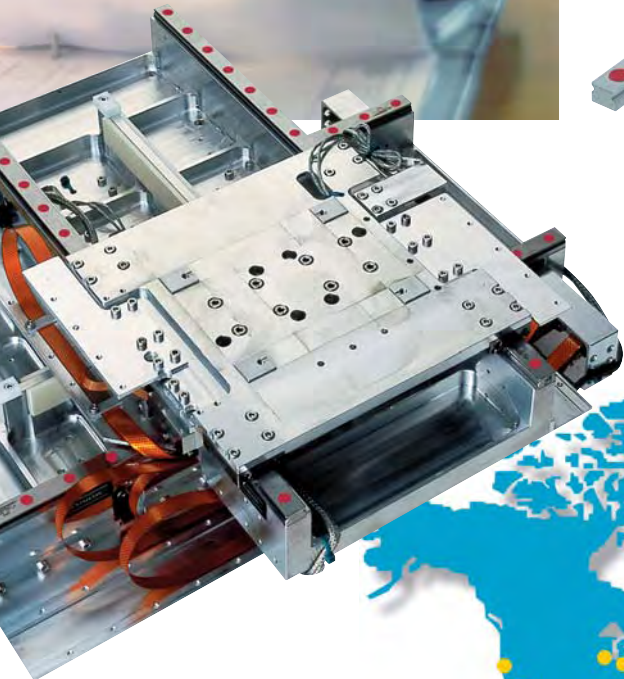
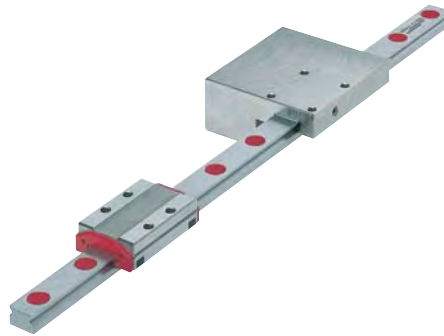
Competent Application Engineering for a Longer Service Life

During your design phase, Schneeberger's competent engineers will assist you in the selection of a suitable product. With the optimal product selection and installation, the running characteristics of the MINIRAIL become effective and provide a long service life.



Clamping Element for Safety Purposes

The clamping element has been developed especially for Schneeberger's MINIRAIL. In normal operation, the clamping element is maintained in an open position by compressed air, and in the case of an electric power failure, the spring-force blocks all movement for operational safety.



SCHNEEBERGER – World-wide

With an extensive network of SCHNEEBERGER branch companies and exclusive representatives, we keep in contact with our customers all over the world.

Visit us at:

www.schneeberger.com



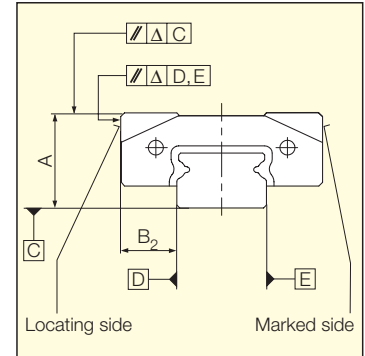
2 Technical Data

2.1 Accuracy classes

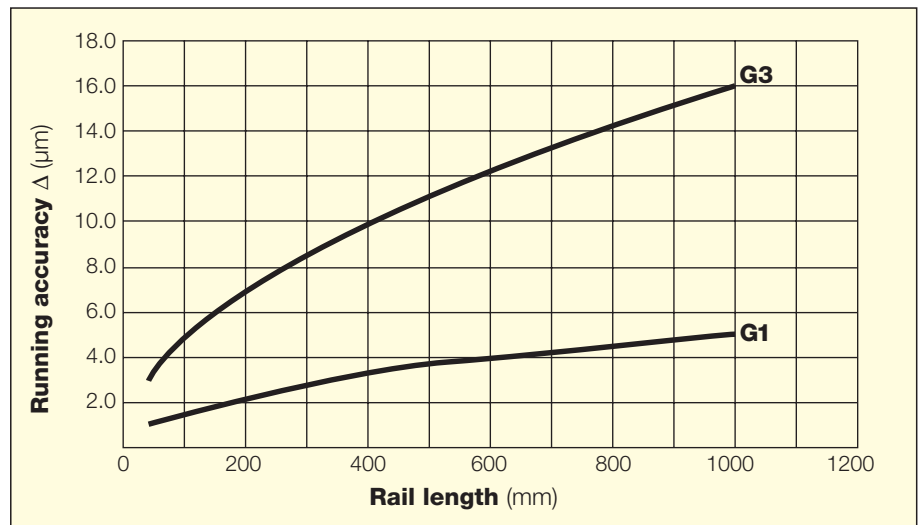
The MINIRAIL guideways are available in two accuracy classes.

Accuracy class	Tolerances	
	¹ A and B ₂	² Δ A and ΔB ₂
G1	± 10 μm	7 μm
G3	± 20 μm	15 μm

¹ Measuring referring to the center of the carriage
² Dimension differences between two or more carriages measured at the middle of each carriage (mean value of both supports) and at the same rail position



2.2 Running accuracy



2.3 Preload classes V0, V1

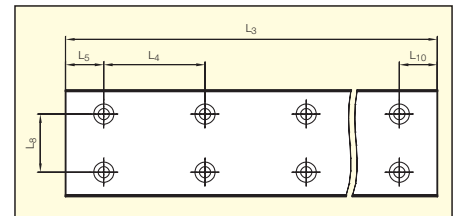
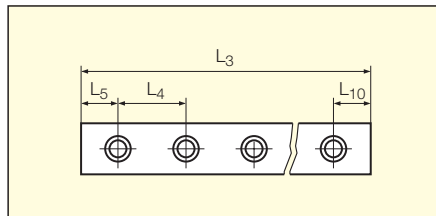
Preloading increases the rigidity of the guideway but also affects operational life and increases translation resistance. The MINIRAIL system is available in two preload classes to address specific application requirements. The rail up to determines the preload classes.

Preload class	Preload	Accuracy class
V0	near clearance to 0.01 · C	G3
V1	0 to 0.03 · C	G1, G3

C = Dynamic loading capacity (see chapter 3.1 and 3.2)

2.4 Rail information

Rail lengths



Standard rail lengths L ₃ (length in mm)					
Size	L ₄	L ₅ , L ₁₀	L ₈	L ₃	Max L ₃
7	15	5	–	40, 55, 70, 85, ..., 760	760
9	20	7.5	–	55, 75, 95, 115, ..., 935	935
12	25	10	–	70, 95, 120, 145, ..., 945	945
15	40	15	–	70, 110, 150, 190, ..., 950	950
14	30	10	–	80, 110, 140, 170, ..., 740	740
18	30	10	–	80, 110, 140, 170, ..., 950	950
24	40	15	–	110, 150, 190, 230, ..., 950	950
42	40	15	23	110, 150, 190, 230, ..., 950	950

Custom rail lengths

Other rail lengths are available up to the maximum rail lengths above and are calculated according to the following formula:

$$L_3 = (n-1) \cdot L_4 + L_5 + L_{10} \quad n = 3, 4, 5 \dots (n = \text{number of attaching holes})$$

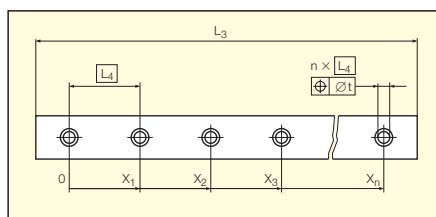
The following minimum and maximum values should be maintained for the starting hole pitch L₅ and the end hole pitch L₁₀.

Minimum and maximum starting and end hole pitch L ₅ , L ₁₀ (lengths in mm)								
Size	7	9	12	15	14	18	24	42
L₅, L₁₀ minimum	4	5	5	5	5	5	6	6
L₅, L₁₀ maximum	11	15	20	35	25	25	34	34

Tolerances for rail lengths and attaching holes

The position tolerance of the attaching holes and the length tolerance is:

Rail	L ₃ , X _n ≤ 300 mm	L ₃ , X _n > 300 mm
t (mm)	0.3	0.001 · X _n
L₃	± 0.3	± 0.001 · L ₃



2.5 Lubrication

The front plates include two lubrication holes to allow independent lubrication for the right and left side of the carriage.

This ensures that all tracks of the carriage are provided with lubricant, in all installation orientations.

At delivery the carriages are slightly oiled. The required re-lubrication intervals as well as a lubrication prior to operation depend on the application and the operating conditions.

For lubrication with oil, SCHNEEBERGER recommends mineral oil CLP (DIN 51517) or HLP (DIN 51524) in the viscosity range of ISO VG32 to ISO VG150 in accordance with DIN 51519.

For lubrication with grease, SCHNEEBERGER recommends grease KP2K or KP1K in accordance with DIN 51825.

A re-lubrication set with an appropriate oil can be ordered at SCHNEEBERGER with the ordering code MNW.



Basic lubrication with grease

Initial lubrication and re-lubrication according to table.

Basic lubrication with grease per carriage in cm ³							
MNN 7	MNN 9	MNN 12	MNN 15	MNN 14	MNN 18	MNN 24	MNN 42
0.04	0.09	0.15	0.25	0.05	0.11	0.20	0.33

Basic lubrication with oil

Initial lubrication and re-lubrication until oil escapes.

Re-lubrication:

Recommended values:

The basic lubrication is sufficient for 3000 km of travel, based on the following factors:

load ratio C/P = 10

speed = 1 m/s

stroke = 150 mm

2.6 General data**Permissible speeds
and accelerations**

General applications under normal operating conditions:

Speeds up to	5 m/s
Accelerations up to	300 m/s ²

**Permissible operating
temperatures**

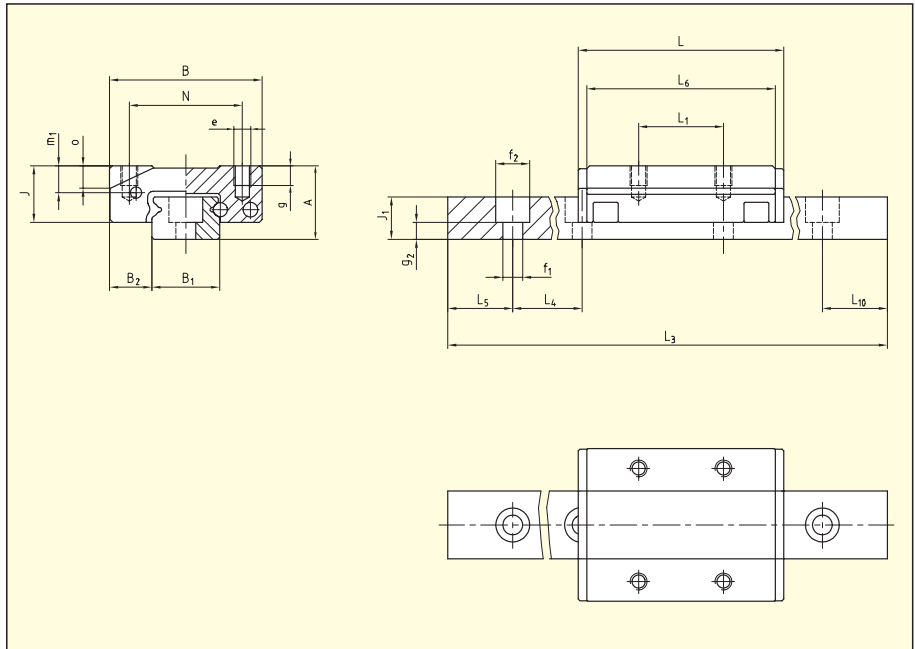
MINIRAIL guideways can be used at operating temperatures between -40°C and +80°C. Short term temperatures up to +120°C are permissible.

Materials

All steel parts are made from through hardened stainless steel. Plastic components are injection-molded using POM and TPE.

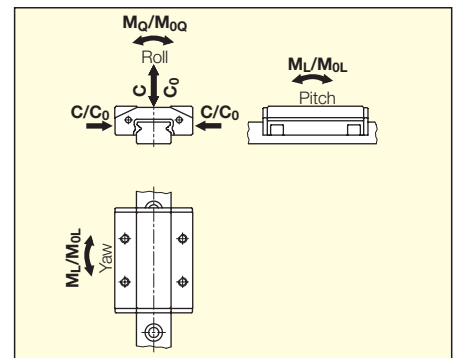
Dimension tables and ordering information

3.1 Dimension table, loading capacities Sizes 7, 9, 12, 15



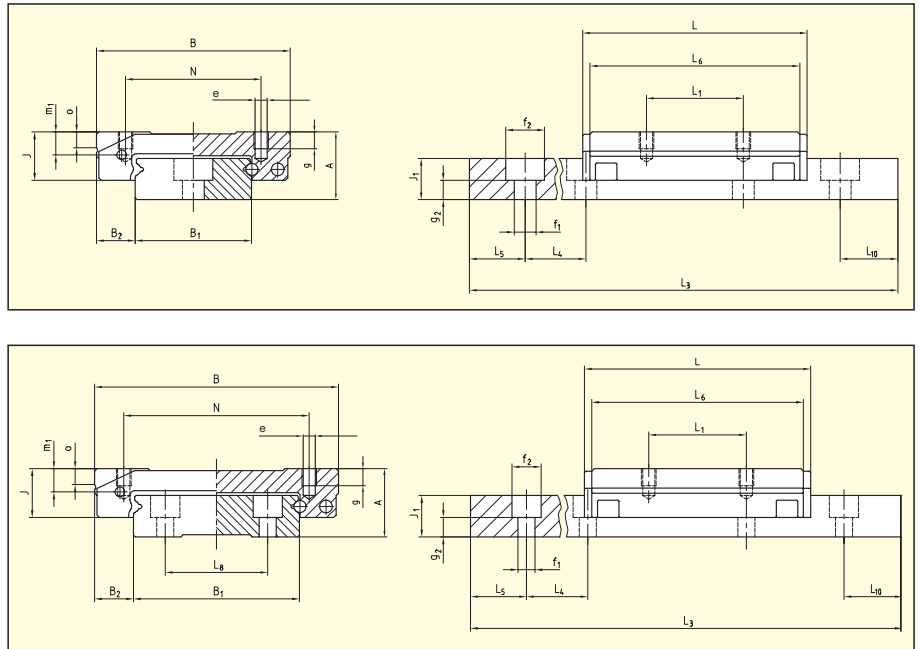
Type	Dimensions (mm)																		
	A	B	B ₁	B ₂	J	J ₁	L	L ₁	L ₄	L ₅ / L ₁₀	L ₆	N	e	f ₁	f ₂	g	g ₂	m ₁	o
MN 7	8	17	7	5	6.5	4.5	24.6	8	15	5	22.1	12	M2	2.4	4.2	2.5	2.2	3.1	2.5
MN 9	10	20	9	5.5	8	5.5	32	10	20	7.5	29	15	M3	3.5	6	3	2	3.8	3.1
MN 12	13	27	12	7.5	10	7.5	36.4	15	25	10	33.4	20	M3	3.5	6	3.5	3	4.75	3.9
MN 15	16	32	15	8.5	12	9.5	43.7	20	40	15	40.7	25	M3	3.5	6	4	5	5.55	4.9

Type	Loading capacities		Moments				Weights Carriage Rail	
	C ₀ (N)	C (N)	M _{0Q} (Nm)	M _{0L} (Nm)	M _Q (Nm)	M _L (Nm)	(g)	(g/m)
MN 7	1560	925	5.6	4.3	3.3	2.5	12.8	216.3
MN 9	2770	1690	12.9	10.2	7.9	6.2	23.9	308.8
MN 12	3900	2510	23.8	16.3	15.3	10.4	47.4	597.9
MN 15	5620	3680	42.7	28.1	27.9	18.4	81.4	995.5



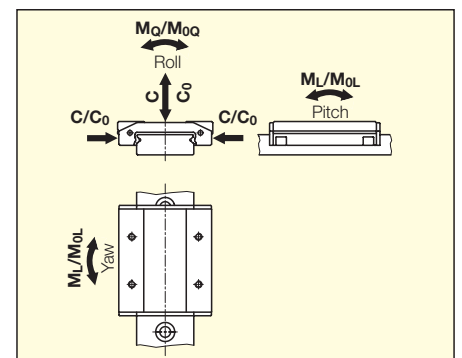
Loading capacities are calculated values, based on DIN 636-2
 C₀ = static loading capacity
 C = dynamic loading capacity (100 km)
 M₀ = static moment
 M = dynamic moment (100 km)

3.2 Dimension table, loading capacities
Sizes 14, 18, 24, 42



Type	Dimensions (mm)																			
	A	B	B ₁	B ₂	J	J ₁	L	L ₁	L ₄	L ₅ / L ₁₀	L ₆	L ₈	N	e	f ₁	f ₂	g	g ₂	m ₁	o
MN 14	9	25	14	5.5	6.8	5.2	32.1	10	30	10	29.6	-	19	M3	3.5	6	2.8	2	3.3	2.2
MN 18	12	30	18	6	8.5	7	40	12	30	10	37	-	21	M3	3.5	6	3	2.5	4.3	3.1
MN 24	14	40	24	8	10	8.5	46.4	15	40	15	43.4	-	28	M3	4.5	8	3.5	4	4.75	3.9
MN 42	16	60	42	9	12	9.5	55.7	20	40	15	52.7	23	45	M4	4.5	8	4.5	5	5.5	4.9

Type	Loading capacities		Moments				Weights	
	C ₀	C	M _{0Q}	M _{0L}	M _Q	M _L	Carriage	Rail
	(N)	(N)	(Nm)	(Nm)	(Nm)	(Nm)	(g)	(g/m)
MN 14	2340	1230	16.6	9.3	8.7	4.9	25	518.3
MN 18	3880	2140	35.5	19.4	19.6	10.7	47	914.6
MN 24	5630	3240	68.2	32.9	39.2	18.9	84	1473.0
MN 42	8110	4750	171.2	56.8	100.3	33.3	169	2828.4

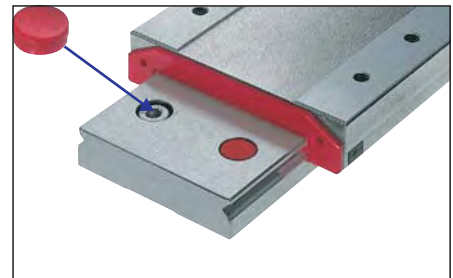


Loading capacities are calculated values, based on DIN 636-2
 C₀ = static loading capacity
 C = dynamic loading capacity (100 km)
 M₀ = static moment
 M = dynamic moment (100 km)

3.3 Accessories – must be ordered separately

Plastic plugs MNK

Plastic plugs can be used to close the rail attachment holes.



MINIRAIL Type	Plastic plugs Type	Plastic plugs can be combined with attaching screws of type		
		DIN 912	DIN 7984	ISO 7380
MN 7	MNK 4	–	–	X
MN 9	MNK 6	–	X	X
MN 12	MNK 6	X	X	X
MN 15	MNK 6	X	X	X
MN 14	MNK 6	–	X	X
MN 18	MNK 6	X	X	X
MN 24	MNK 8	–	X	X
MN 42	MNK 8	–	X	X

3.4 Ordering information MINIRAIL

The MINIRAIL carriage and guideway must be ordered as separate items.

Carriage MINIRAIL MNN

		—	MNN	9	-G1
Quantity					
Carriage type	MNN				
Size	7, 9, 12, 15, 14, 18, 24, 42				
Accuracy class	G1, G3				

Guideway MINIRAIL MN

		—	MN	9	-155	-7.5	-7.5	-G1	-V1
Quantity									
Guideway type	MN								
Size	7, 9, 12, 15, 14, 18, 24, 42								
Rail length	L₃ (in mm)								
Starting hole pitch	L₅ (in mm)*								
End hole pitch	L₁₀ (in mm)*								
Accuracy class	G1, G3								
Preload class	V0, V1								

* Indicate only if special pitch

Accessories MINIRAIL MN

Re-lubrication set

		—	MNW
Quantity			
Type	MNW		

Plastic plugs MNK

		—	MNK	6
Quantity				
Type	MNK			
Size	4, 6, 8			

4.1 Dynamic loading capacity C

The loading capacity values for anti-friction guideways are based on the principles specified by the ISO for calculation of rolling-contact bearings (DIN ISO 281).

Dynamic loading capacity is the loading which results in a nominal operational life corresponding to a translation distance of 100 000 m (100 km) provided that the loading due to mass and direction is unchanged and the line of influence acts vertically on the rolling-contact bearing unit.

Comparison of loading

Other suppliers often indicate their loading capacities for a translation distance of 50 000 m (50 km). These values according to JIS standard are above the values according to DIN ISO. The recalculation of the loading capacities is done as follows:

$$C_{50} = 1.26 \cdot C_{100}$$

Operational life calculation

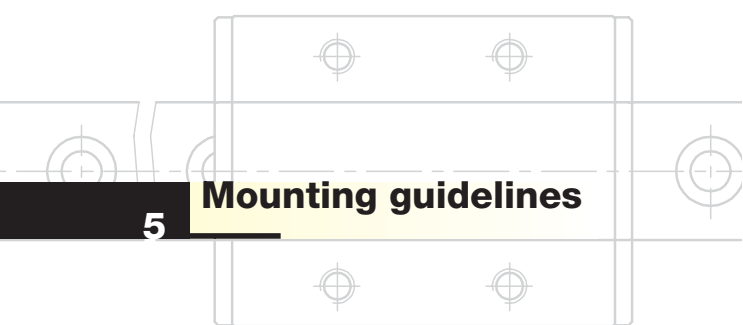
The nominal calculated operational life L for the equivalent force P and a dynamic loading capacity C is:

$$L = (C/P)^3 \cdot 10^5 \text{ m} \quad L = \text{nominal life (m)}$$

Operational life calculation in hours

$$L_h = \frac{L}{2 \cdot s \cdot n \cdot 60} = \frac{L}{60 \cdot v_m}$$

L_h = nominal life (h)
 s = stroke length (m)
 n = stroke frequency (min⁻¹)
 v_m = average traversing speed (m/min)



5.1 Tightening torques for rails and carriages

Tightening torques for fastening screws DIN 912, μ 0,125 (12,9) and DIN 912, μ 0,2 (A2-70)

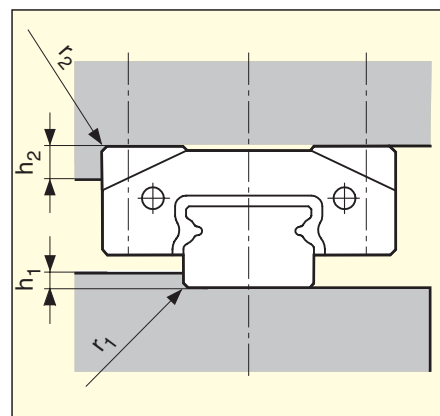
Strength-class	max. tightening torques [Nm]		
	M2	M3	M4
12.9	0.6	2.1	5.0
A2-70	0.3	1.1	2.6

Notes

- When the screws are greased with grease containing MoS₂ the friction coefficient μ can be reduced by as much as half. As the tightening torques required to reach the maximum permissible tightening force depend on the friction coefficient, they must be reduced accordingly. The values can be obtained from the screw manufacturer's information or from the specialist literature. If necessary, carry out tests to determine the actual friction coefficient.
- Refer to the screw manufacturer's information. This is always binding.

5.2 Configuration of the lateral locating sides

The corners between the support and locating surfaces of the surrounding structure are normally provided with a relief groove. However, if no relief groove is provided, then the dimensions tabulated below must be maintained.



Size	h_1	r_1 max	r_2 max	h_2
7	1.2	0.2	0.3	2.5
9	1.5	0.3	0.4	3
12	2.5	0.4	0.4	4
15	3.5	0.5	0.5	5
14	1.8	0.2	0.4	2
18	3	0.3	0.5	3
24	3.5	0.4	0.5	4
42	3.5	0.5	0.6	5

5.3 Configuration of assembly surfaces

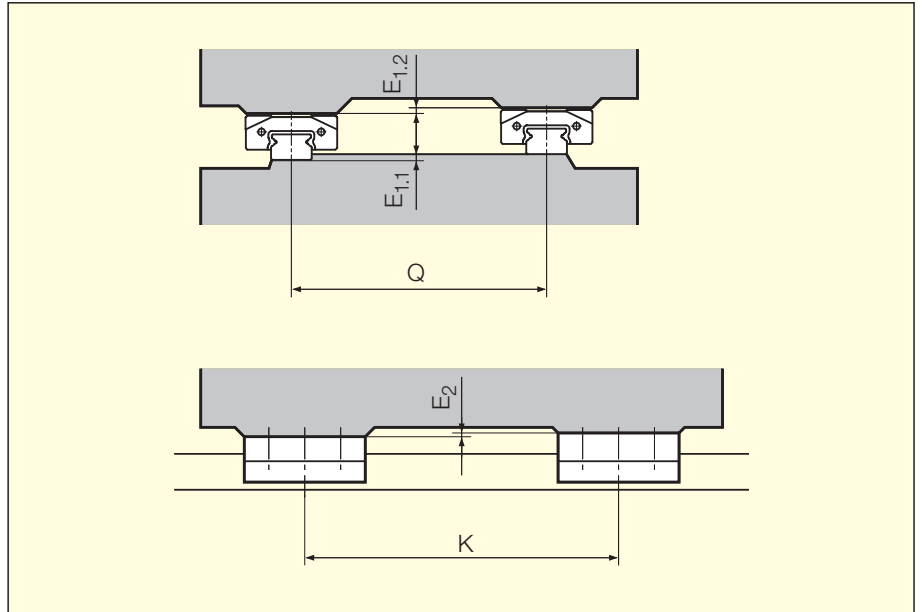
MINIRAIL advantages can only be achieved when mounted to a rigid, accurately machined structure.

The surface quality of the supporting structure has no direct influence on the operational and run-out behavior. A roughness average ratio of R_a 0.4 to 1.6 μm is recommended for support and locating surfaces.

Inaccuracies of the attachment surfaces are partially compensated by the elastic deformation of the MINIRAIL. However, they may affect overall accuracy, running behavior and operational life.

5.4 Geometrical and position accuracy of the support surfaces

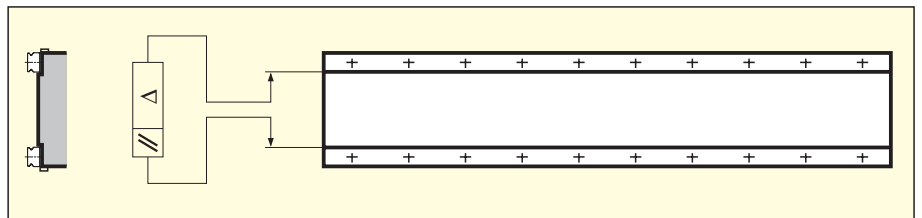
Permissible height deviation (use values in mm for the calculation).



	MNN	V0	V1
$E_1 = E_{1.1} + E_{1.2}$	7, 9, 12, 15	0.00025 Q	0.00015 Q
E_2	7, 9, 12, 15	0.00005 K	0.00005 K
$E_1 = E_{1.1} + E_{1.2}$	14, 18, 24, 42	0.00013 Q	0.00008 Q
E_2	14, 18, 24, 42	0.00004 K	0.00004 K

5.5 Parallelism tolerances of the locating surfaces

Permissible tolerances for the parallelism.



Tolerances for preload class (mm)				
	7 / 14	9 / 18	12 / 24	15 / 42
V0	0.003	0.005	0.008	0.01
V1	0.002	0.003	0.004	0.005

5.6 Various

Mounting instructions

The installation of the MINIRAIL guideways is described in detail in the separate

- **Mounting Instructions MINIRAIL** and can be downloaded from www.schneeberger.com at menu SERVICES or be ordered from SCHNEEBERGER.

As delivered condition

The SCHNEEBERGER MINIRAIL guideways are delivered in protective packaging. The carriages are mounted on a plastic rail and slightly oiled for immediate operation.



Transportation and intermediate storage

The MINIRAIL guideways are highly precise components, which have to be treated with care. As a protection against damage, the following instructions should be followed:

- Always store and transport MINIRAIL guideways in their original packaging.
- Protect the guideways against impacts and dampness/humidity.

SCHNEEBERGER REPRESENTATIVES

AUSTRALIA

RJM Engineering Supplies
Tamar Street 13
VIC 3134 Ringwood
Phone +61 398 79 4881
Fax +61 398 79 3700
E-Mail: rjmeng@rjmeng.com.au

BRAZIL

IBATECH Tecnologia.Ltda.
Av. Amazonas, 974
90240-542 Porto Alegre-RS
Phone +55 51 3337 1481
Fax +55 51 3337 5265
E-Mail: ibacorp@iba-corp.com

CHINA

Servo Dynamics Co., Ltd.
12#-2-1 Chuangye Building
No. 125 Binhe Road,
Suzhou New District
215011 Jiangsu
Phone +86 (512) 6809 7576
Fax +86 (512) 6809 7690
E-Mail: info@servodynamics.com.cn

DENMARK

HERSTAD + PIPER A/S
Jernholmen 48c
2650 Hvidovre
Phone +45 36 77 4000
Fax +45 36 77 7740
E-Mail: mail@herstad-piper.dk

FINLAND

EIE Maskin Oy
PL, 80 Asematie 1
10601 Tammissaari
Phone +358 19 223 9100
Fax +358 19 223 9199

INDIA

NRB Bearings Limited Agency Division
405'A' Wing, Mittal Towers
47 (6) M.G. Road
560 001 Bangalore
Phone 080-2558 6911 / 2559 6089 /
2558 6995
Fax 080-2559 6091
E-Mail: maheshwari@nrbbearings.co.in

NRB Bearings Limited Agency Division
Office Mumbai
Dhannur,15 Sir P M Road, Fort
400 001 Mumbai
Phone 022-2266 4160 / 2266 4998
Fax 022-2266 0412 / 2267 9850
E-Mail: k.mohan@nrbbearings.co.in

Office:

Mr. Bevin Sequeira Palmyra
Plot 593-B, 21st Road
400 050 Bandra,Mumbai
Phone +91 022 2604 8831
E-Mail: bfsequeira@yahoo.co.uk

NETHERLANDS

Office:
Mr. Maurice Bastings
Beekerweg 65
NL-6235CB Ulestraten
Phone +31 (0)43 365 4532
Fax +31 (0)43 365 3579
E-Mail: info-nl@schneeberger.com

POLAND

TECHNIKA LINIOWA
ROLLICO Rolling Components
Ul. PCK 24
42-700 Lubliniec
Phone +48 34 353 0838
Fax +48 34 351 0431
E-Mail: info@rollico.com

REPUBLIC OF KOREA

Office:
Mr. Ki-Ho Kim
Kodeok 2 danji Jukong APT.261-402
Kodeok 2-dong, Kangdong-Ku
134-757 Seoul
Phone +82 2 442 0971
Fax +82 2 442 2971
E-Mail: khkim@schneeberger.com

LIATO Korea Inc.
12-15, Moonhyung-Ri, Opo-Eup
Kwangjuo-City
464-894 Kyonggi-Do
Phone +82 31 766 1434(6)
Fax +82 31 766 1438
E-Mail: imwos@kornet.net

Lubo Industries Ltd.
640-12, Gojan-Dong
Namdong-Ku
Incheon
Phone +82 32 821 5656
Fax +82 32 821 9501
E-Mail: luboinc@luboinc.co.kr

NUMACS Corporation Ltd.
Rm303, Namdong building, 987-11
Mansu-dong, Namdung-ku
405-204 Incheon
Phone +82 32 461 8110
Fax +82 32 461 8112
E-Mail: casypark@unitel.co.kr

INTECH Automation Inc.
FL 13,94-46, Youngdeungpo 7-Ga
Youngdeungpo-Ku
150-037 Seoul
Phone +82 2 2632 6770
Fax +82 2 2632 6880
E-Mail: intech01@kornet.net

SINGAPORE

Servo Dynamics
Kaki Bukit Road 1 No. 10
#01-30 Kaki Bukit Park
416175 Singapore
Phone +65 6844 0288
Fax +65 6844 0070
E-Mail: servodynamics@servo.com.sg

SLOVAKIA

LINEATECH, s.r.o.
ul. Puste c. 861
013 22 Rosina
Phone +421 41 500 5177
Fax +421 41 500 5178
Mobile +421 905 253721
E-Mail: sukala@lineatech.sk

SOUTH AFRICA

Fischli & Fuhrmann Ltd.
P.O.Box 253
1600 Isando Transval
Phone +27 11 974 5571
Fax +27 11 974 5574
E-Mail: info@ffu.co.za

Office:

Mr. Mike Owen
LIATO S A (PTY) LTD
513 Marine Drive
4052 Durban
Phone +27 31 467 179
Fax +27 31 467 0179
E-Mail: mike@liato.co.za

SWEDEN

EIE Maskin AB
Box 13031
402 51 Goeteborg
Phone +46 31 707 4800
Fax +46 31 195 255
E-Mail: eie@eie.se

TAIWAN

Ever Bright Precision Ltd.
1F, no. 52, Lane 10
Phone +886 2 2659 5586
Fax +886 2 2659 5587
E-Mail: sales@everbright.com.tw

TURKEY

Office:
BIRLIK RULMAN PAZ.LTD.STI.
Kemeralti Cad. No:20
80030 Karakoy-Istanbul
Phone +90 212 249 5495
Fax +90 212 244 2140
E-Mail: birlik@birlikrulman.com

CATALOGUES

MONORAIL and AMS
 LINEAR BEARINGS and Recirculating units
 SLIDES
 MINIRAIL
 AUTOMATION



BROCHURES

NanoC
 NanoX
 POWERTRACK
 Mineral casting RHENOCAST®



SCHNEEBERGER COMPANIES

SWITZERLAND

SCHNEEBERGER AG
 St. Urbanstrasse 12
 4914 Roggwil/BE
 Phone +41 62 918 41 11
 Fax +41 62 918 41 00

E-Mail:
 info-ch@schneeberger.com
www.schneeberger.com

GERMANY

SCHNEEBERGER GmbH
 Gräfenau, Postfach 70
 75339 Höfen/Enz
 Phone +49 7081 782 0
 Fax +49 7081 782 124

E-Mail:
 info-d@schneeberger.com

ITALY

SCHNEEBERGER S.p.A.
 Via S. Gottardo, 10
 21021 Angera VA
 Phone +39 0331 93 2010
 Fax +39 0331 93 1655

E-Mail:
 info-i@schneeberger.com

USA

SCHNEEBERGER Inc.
 11 DeAngelo Drive
 Bedford, MA 01730
 Phone +1 781 271 0140
 Fax +1 781 275 4749

E-Mail:
 info-usa@schneeberger.com

CHINA

SCHNEEBERGER (Shanghai) Co., Ltd.
 Denghui Lu 1128, Minhand District
 Shanghai 201108
 Phone +86 21 6209 0037 / 27
 Fax +86 21 6209 0102

E-Mail:
 info-cn@schneeberger.com

JAPAN

Nippon SCHNEEBERGER KK
 3-23-12 Shimouma, Setagaya-ku
 Tokyo 154-0002
 Phone +81 3 5779 7339
 Fax +81 3 3487 6010

E-Mail:
 info-j@schneeberger.com

SCHNEEBERGER SALES DEPARTMENTS

AUSTRIA

Phone +43 2 2387 2945
 Fax +43 2 2387 2983
 Mobile +43 67 6935 1035

E-Mail:
 info-a@schneeberger.com

BELGIUM, THE NETHERLANDS AND LUXEMBOURG

Phone +31 4 3365 4532
 Fax +31 4 3365 3579
 Mobile +31 6 5326 3929

E-Mail:
 info-nl@schneeberger.com

NORTH FRANCE

Phone +32 6833 7773
 Fax +32 6833 3863
 Mobile +32 4 7978 1870

E-Mail:
 info-f@schneeberger.com

SOUTH FRANCE

Phone +33 4 7239 5223
 Fax +33 4 7239 5224
 Mobile +33 6 0941 6269

E-Mail:
 info-f@schneeberger.com

GREAT BRITAIN

Phone +44 16 2582 7708
 Fax +44 16 2582 7780
 Mobile +44 77 8814 5645

E-Mail:
 info-uk@schneeberger.com

ISRAEL

Phone +972 9767 9499
 Fax +972 9767 3397
 Mobile +972 5 0551 7920

E-Mail:
 info-il@schneeberger.com

KOREA

Phone +82 2442 0971
 Fax +82 2442 2971
 Mobile +82 1 6202 0971

E-Mail:
 info-k@schneeberger.com

POLAND, SLOVAKIA AND CZECH REPUBLIC

Phone +420 5 4725 0333
 Fax +420 5 4725 0444
 Mobile +420 6 0278 4077

E-Mail:
 info-cz@schneeberger.com

SPAIN AND PORTUGAL

Phone +34 6 4991 9740
 Fax +34 9 4687 0973
 Mobile +34 6 4991 9740

E-Mail:
 info-es@schneeberger.com