

High-speed Integrated Motor Spindle for Machining Centers

Spindles with ISO-40 equivalent taper deliver high-speed performance of operating speeds up to 20 000 min⁻¹ while reducing energy consumption and noise using NSK's new grease replenishing system.



Patent Pending





World-class performance with the highest available speed

The highly functional High-speed Integrated Motor Spindle for Machining Centers maximizes the machining ability of Class #40 high-speed machining centers. NSK realized the world's highest speed performance of 20 000 min⁻¹ by thoroughly developing heavy cutting ability, ultra low noise, and lower environmental load.

1 Best-in-class speed

NSK's ROBUST Series bearings and FANUC's integrated, high-performance motor deliver the highest speed for this class of spindle. The maximum speed of 20 000 min⁻¹ ($d_m n$ 1.7×10⁶) was achieved under position-preloaded grease lubrication.

Bearing technology + design technology
Up to 20 000 min⁻¹ ($d_m n$ 1.7×10⁶)
under position-preloaded grease lubrication.

2 Ultra low noise

NSK's design technology combined with its outstanding bearing technology and proven expertise result in ultra low noise of 69 dB with reduced vibration at 20 000 min⁻¹.

Design technology + lubrication technology
69 dB^{*1} at 20 000 min⁻¹

*1: Actual measured value for Type S at 20 000 min⁻¹



Four technologies supporting NSK high-speed spindles



The highly functional High-speed Integrated Motor Spindle for Machining Centers facilitates heavy cutting ability, ultra low noise, and low environmental loads far beyond conventional high-speed spindles by combining NSK's premier technologies in bearings, lubrication, integrated motor utilization, and design.

Integrated motor utilization technology

Lubrication technology

3 Low environmental load

Air consumption was cut back by 70% with oil consumption brought down to zero, significantly reducing both energy consumption and waste.



Lubrication technology
Air consumption reduced by **70%**
Oil consumption reduced to **zero**

4 Wide-range heavy cutting

Boasting high-speed performance of 500 cm³/min for steel and 3 700 cm³/min for aluminum, NSK Integrated Motor Spindle supports the machining of dies and aluminum parts over a wide range of machining performance, from low to high speeds.

Bearing technology + built-in motor technology
Steel: **500 cm³/min^{*2}**
Aluminum: **3 700 cm³/min^{*2}**

*2: Actual measured value for Type L at 20 000 min⁻¹



MACHINING CENTER

Integrated Motor Spindle

Superior machining performance in Class #40

Wide range of machining performance for extensive machining needs, from low-speed heavy cutting to high-speed machining.



Face mill $\phi 80$

Work material: S50C
Rotational speed: 1 200 min^{-1}
Metal removal rate: 504 cm^3/min

Work material: A5052
Rotational speed: 8 000 min^{-1}
Metal removal rate: 3 780 cm^3/min

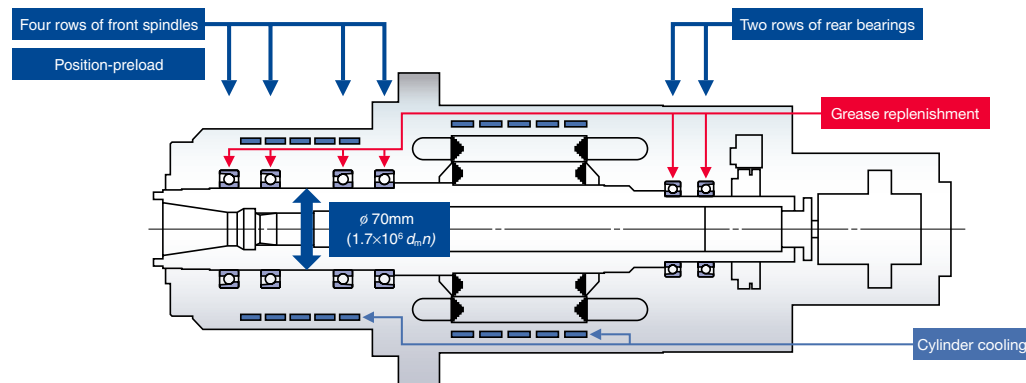


End mill $\phi 60$

Work material: A5052
Rotational speed: 20 000 min^{-1}
Metal removal rate: 2 500 cm^3/min

Mounted with a highly rigid bearing for the highest performance in its class

A high rotational speed of 20 000 rpm was achieved under position-preloaded bearings of $\phi 70$ mm in bore diameter. In addition, four rows of front bearings and two rows of rear bearings, for a total of six rows, were adopted to dramatically enhance spindle rigidity.



NSK's state-of-the-art precision bearing technology

Incorporates the ROBUST Series, proven bearings for machine tools. Ceramic balls are used for higher speed, high rigidity, and high reliability.



Cool running

Optimization of internal design realizes cool running.

Improved anti-seizure property

Improved heat robustness to handle changes in ambient temperatures.

Ceramic ball

Adopts a high-precision ceramic ball for the rolling element to provide high speed, high precision, and high rigidity.

New grease replenishing system supports 10 000 hours of maintenance-free performance

NSK's new proprietary, environmentally friendly grease replenishing system automatically delivers a small quantity of grease into the bearing interior at intermittent intervals.

Improved grease life

Continuous fresh supply of lubricant to components improves grease life.

Ultra low noise

Eliminates grating wind noise caused by oil-air lubrication and reduces noise level to as low as 69 dB at 20 000 min^{-1} .

Reduced energy consumption

With air consumption lowered by at least 70%, as little as 50 NL/min of air is required.

Environmentally sound

No oil is consumed, and therefore no oil particles are released into the air.



Built-in motor structure results in low vibration

Direct-drive system with no gears or couplings produces low vibration.

Low vibration

Provides improved quality in cut surface and extends tool life.

Compact

The spindle incorporates motor between bearings at front and rear and is therefore lighter and more compact than direct-coupled units.

Simplified assembly

Incorporating spindle shaft and motor into single unit eliminates need for centering and aligning spindle shaft and motor.

Easier maintenance

Unique cartridge structure allows components to be quickly replaced.

Highly functional integrated motor delivers strong output

Motor mounted with FANUC NC gives the highest possible motor performance.

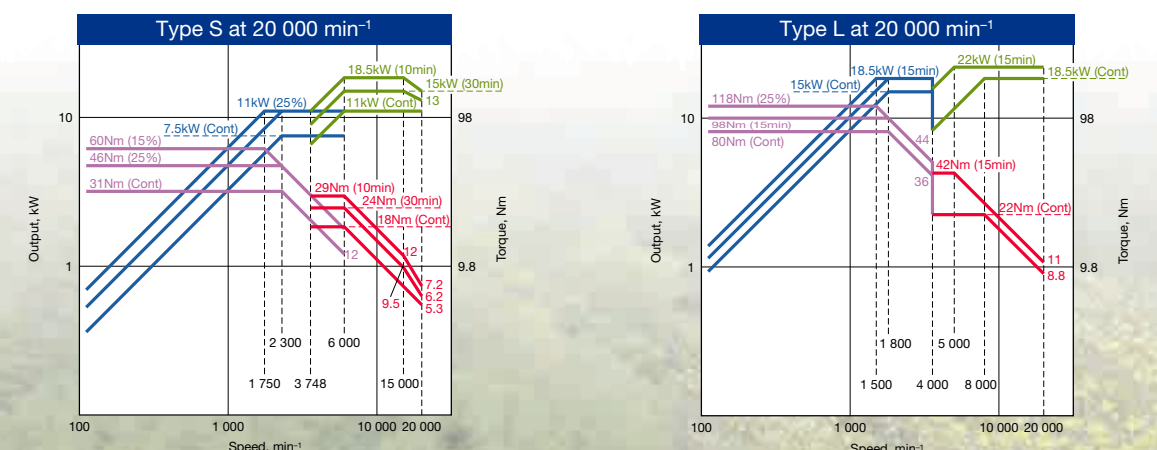
FANUC αi series

Cool running

Adopts optimum core shape design and state-of-the-art low iron loss material. Current ripple is lowered with HRV2 control.

Winding switching system

Winding switching system supports a wide power band range, from low to high speeds.



Test amplifier: SPM-30i

A wide variety of peripheral devices are offered in an all-in-one format for “plug-and-play” ease of use.

Extremely easy maintenance

All-in-one cartridge structure for spindle components significantly shortens downtime.

Tool clamping unit

Equipped with a spiral disk spring to maintain balance, and a monitor switch for checking tool presence.

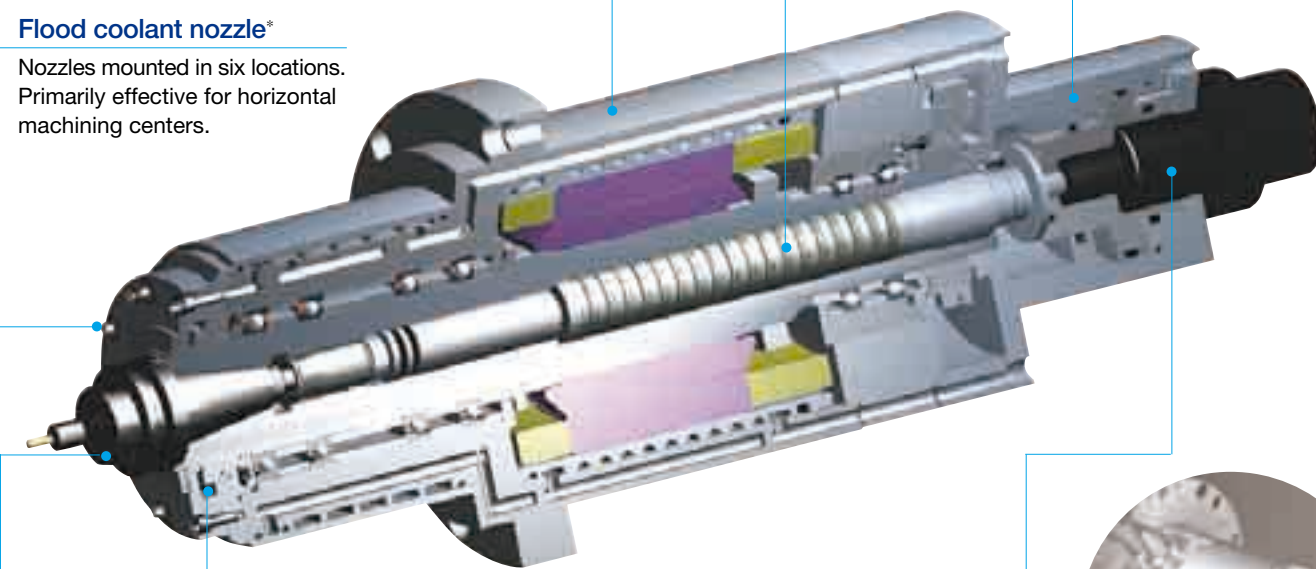
Tool releasing cylinder

Equipped with switches for upper and lower position limits.



Flood coolant nozzle*

Nozzles mounted in six locations. Primarily effective for horizontal machining centers.



Tool holder

BT40/HSK-A63

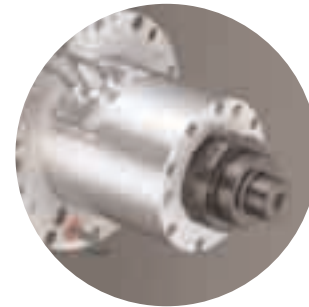


Completely prevents coolant intrusion

Quadruple structure consists of the labyrinth seal, the sealing spacer, the air seal, and the slinger seal.

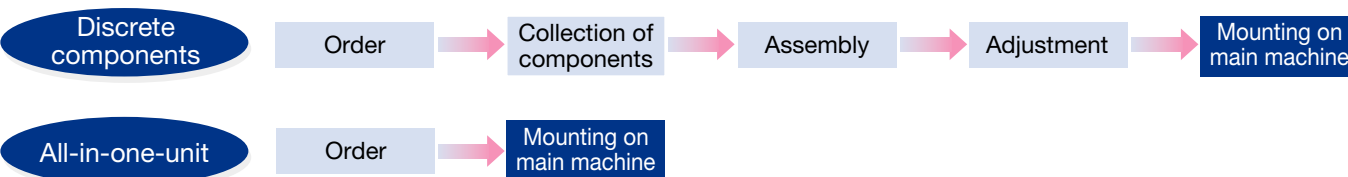
Rotary union*

Supplies through-spindle coolant under high pressure (7 MPa). Also suitable for MQL processing



* Optional feature

Advantages of all-in-one spindle unit



Reduced production lead time

- Significantly reduces time from order to completion of spindle adjustment.
- Also reduces running stock.

Curbs maintenance costs

- Spindles can be used for different machines in the factory.
- Reduces spare unit inventory.

Specifications of High-speed Integrated Motor Spindle

The following numbers will be included in the specification drawing of supplied products. When ordering, please mention the reference numbers for the product you would like to purchase.

Reference number example: **W-B 11 00-0 4 1 3 3 0**

Motor model 11: α112S/20 000iB
12: α112L/20 000iB

Flange 0: Standard position 1: Special position

Spindle taper/rotational speed 0: BT40/15 000 1: BT40/20 000
3: HSK-A63/15 000 4: HSK-A63/20 000

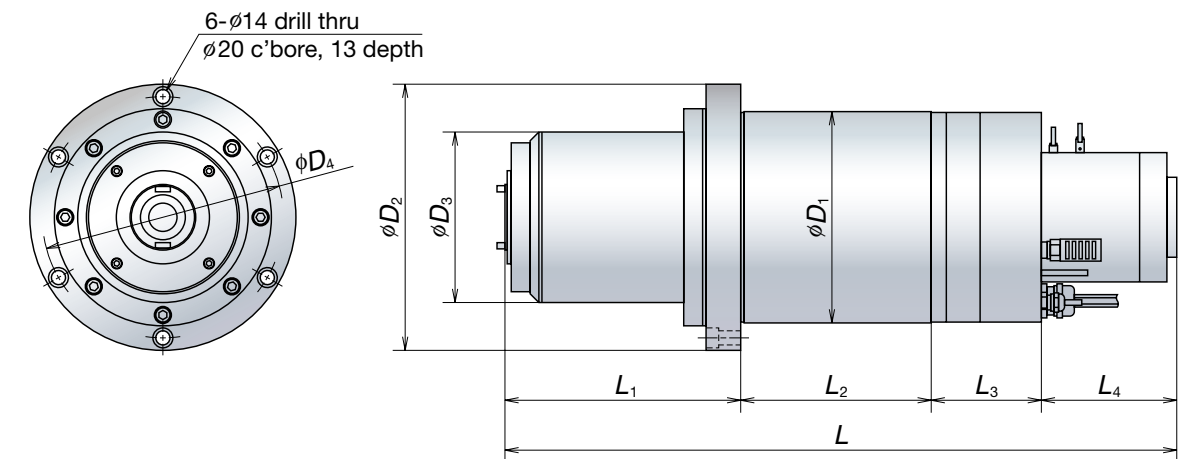
Lubrication system 0: Packed grease 1: Automatic grease replenishment

Seal 0: Standard seal

Monitor switch
0: None 1: Monitor switch
2: Upper and lower position limits of the tool releasing cylinder
3: Monitor switch/ Upper and lower position limits of the tool releasing cylinder

Coolant (Option)
0: None 1: Through-spindle coolant
2: Flood coolant nozzle
3: Through-spindle coolant / Flood coolant nozzle

Dimensions



	Item	Unit	Type S		Type L	
			Standard	High-speed	Standard	High-speed
Main specification	Tool shank		BT40/HSK-A63	←	BT40/HSK-A63	←
	Rotational speed	(min ⁻¹)	15 000	20 000	15 000	20 000
	Output (short time/continuous)	(kW)	18.5 (10 min) /11	←	22 (15 min) /18.5	←
	Torque	(Nm)	60	←	118	←
Boundary dimension	D ₁	(mm)	210	←	230	←
	D ₂	(mm)	265	←	285	←
	D ₃	(mm)	170	←	170	←
	D ₄	(mm)	240	←	260	←
	L	(mm)	670	←	800	←
	L ₁	(mm)	235	←	235	←
	L ₂	(mm)	190	←	320	←
	L ₃	(mm)	110	←	110	←
L ₄	(mm)	135	←	135	←	

Worldwide Sales Offices

NSK Ltd. - Headquarters, Tokyo, Japan www.nsk.com
 ASIA BUSINESS STRATEGIC DIVISION-HEADQUARTERS tel: 03-3779-7145
 INDUSTRIAL MACHINERY BEARINGS DIVISION-HEADQUARTERS tel: 03-3779-7227
 AUTOMOTIVE DIVISION-HEADQUARTERS tel: 03-3779-7189
 NEEDLE ROLLER BEARINGS STRATEGIC DIVISION-HEADQUARTERS tel: 03-3779-7121
 PRECISION MACHINERY & PARTS DIVISION-HEADQUARTERS tel: 03-3779-7219

Africa

South Africa:
 NSK South Africa (Pty) Ltd.
 Johannesburg tel: 011-458-3600

Asia and Oceania

Australia:
 NSK Australia Pty. Ltd. www.nskaustralia.com.au
 Melbourne tel: 03-9764-8302

China:

NSK Hong Kong Ltd. tel: 2739-9933
 Hong Kong
 Kunshan NSK Co., Ltd. tel: 0512-5771-5654
 Kunshan Plant
 Guizhou HS NSK Bearings Co., Ltd. tel: 0853-3521505
 Anshun Plant
 NSK Steering Systems Dongguan Co., Ltd. tel: 0769-242-7230
 Dongguan Plant
 Zhangjiagang NSK Precision Machinery Co., Ltd. tel: 0512-5867-6496
 Jiangsu Plant
 Timken-NSK Bearings (Suzhou) Co., Ltd. tel: 0512-6665-5666
 Jiangsu Plant
 NSK China Technology Center tel: 0512-5771-5654

Jiangsu
 NSK (Shanghai) Trading Co., Ltd. tel: 021-6235-0198
 Shanghai
 NSK Representative Offices www.nsk.com.cn
 Beijing tel: 010-6590-8161
 Shanghai tel: 021-6235-0198
 Guangzhou tel: 020-8732-0583
 Anshun tel: 0853-3522522
 Chengdu tel: 028-8661-4200

NSK (China) Investment Co., Ltd. tel: 021-6235-0198
 Shanghai
India:
 Rane NSK Steering Systems Ltd.
 Chennai Plant tel: 04114-266002, 265313, 265363, 265365
 NSK Ltd. India Blanch Office
 Chennai tel: 044-2433-4732, 044-2434-3036, 3067

Indonesia:
 PT. NSK Bearings Manufacturing Indonesia
 Jakarta Plant tel: 021-898-0155
 PT. NSK Indonesia
 Jakarta tel: 021-252-3458

Korea:
 NSK Korea Co., Ltd. www.kr.nsk.com
 Seoul tel: 02-3287-0300
 Changwon Plant tel: 055-287-6001

Malaysia:
 NSK Bearings (Malaysia) Sdn. Bhd. tel: 03-77223373
 Kuala Lumpur
 NSK Micro Precision (M) Sdn. Bhd. tel: 03-8961-6288
 Malaysia Plant

New Zealand:
 NSK New Zealand Ltd. www.nsk-rhp.co.nz
 Auckland tel: 09-276-4992

Philippines:
 NSK Representative Office
 Manila tel: 02-759-6246

Singapore:
 NSK International (Singapore) Pte Ltd. tel: 65-6273-0357
 Singapore
 NSK Singapore (Pte) Ltd. tel: 65-6278-1711
 Singapore

Taiwan:
 Taiwan NSK Precision Co., Ltd. tel: 02-2591-0656
 Taipei

Thailand:
 NSK Bearings (Thailand) Co., Ltd. tel: 02-6412-150-58
 Bangkok
 NSK Bearings Manufacturing (Thailand) Co., Ltd. tel: 038-454010-454016
 Chonburi Plant
 SIAM NSK Steering Systems Co., Ltd. tel: 038-522-343-350
 Chachoengsao Plant
 NSK Asia Pacific Technology Center (Thailand) Co., Ltd. tel: 038-454631-454633
 Chonburi

Europe
NSK Europe Ltd. (European Headquarters) www.eu.nsk.com
 Maidenhead, U.K. tel: 01628-509800

France:
 NSK France SAS tel: 01-30-57-39-39
 Paris

Germany:
 NSK Deutschland GmbH tel: 02102-481-0
 Düsseldorf
 NSK Precision Europe GmbH tel: 02102-481-0
 Düsseldorf
 NSK Steering Systems Europe Ltd. tel: 0771-79082-277
 Stuttgart

Neuweg Fertigung GmbH tel: 07393-540
 Munderkingen

Italy:
 NSK Italia S.p.A. tel: 02-995-19-1
 Milano
 Industria Cuscinetti S.p.A. tel: 0119824811
 Torino Plant

Netherlands:
 NSK European Distribution Centre B.V. tel: 013-4647647
 Tilburg

Poland:
 NSK Europe Ltd. Warsaw Liaison Office tel: 022-645-1525, 1526
 Warsaw Liaison
 NSK Iskra S.A. tel: 041-366-5001
 Kielce
 NSK European Technology Center, Poland Office tel: 041-366-5812
 Kielce

Spain:
 NSK Spain S.A. tel: 093-575-4041
 Barcelona

Turkey:
 NSK Bearings Middle East Trading Co., Ltd. tel: 0216-442-7106
 Istanbul

United Kingdom:
 NSK Bearings Europe Ltd. tel: 0191-586-6111
 Peterlee Plant
 NSK European Technology Centre tel: 01636-605123
 Newark
 NSK UK Ltd. tel: 01636-605123
 Newark
 NSK Steering Systems Europe Ltd. tel: 024-76-588588
 Coventry

North and South America
NSK Americas, Inc. (American Headquarters) tel: 734-913-7500
 Ann Arbor, Michigan, U.S.A.

Argentina:
 NSK Argentina SRL tel: 11-4704-5100
 Buenos Aires

Brazil:
 NSK Brasil Ltda. www.br.nsk.com
 Sao Paulo tel: 011-3269-4723

Canada:
 NSK Canada Inc. www.ca.nsk.com
 Toronto tel: 905-890-0740

Mexico:
 NSK Rodamientos Mexicana, S.A. de C.V. www.mx.nsk.com
 Mexico City tel: 55-301-2741, 55-301-3115, 55-301-4762

United States of America: www.nsk-corp.com
 NSK Corporation tel: 734-913-7500
 Ann Arbor
 Sales Offices:
 Ann Arbor, Michigan tel: 734-913-7500
 Cerritos tel: 562-926-2975

NSK American Technology Center
 Ann Arbor tel: 734-913-7500
 NSK Precision America, Inc. www.npa.nsk.com
 Chicago tel: 630-620-8500

NSK Steering Systems America, Inc. www.nastech.nsk.com
 Bennington, Vermont tel: 802-442-5448
 NSK Latin America Inc. www.latinamerica.nsk.com
 Miami tel: 305-477-0605

NSK Ltd. has a basic policy not to export any products or technology designated as controlled items by export-related laws. When exporting the products in this brochure, the laws of the exporting country must be observed. Specifications are subject to change without notice and without any obligation on the part of the manufacturer. Every care has been taken to ensure the accuracy of the data contained in this brochure, but no liability can be accepted for any loss or damage suffered through errors or omissions. We will gratefully acknowledge any additions or corrections.

For more information about NSK products, please contact: _____



Printed on 100% recycled paper.