



## The Conveyor System

**Belt conveyor**

- running inside
- direct drive

**Profile 30×60**
**Type: 111-2121-60**


Weight of conveyed material:	max. 30 kg/m
Axle distance:	3,000 mm
Width of belt:	300 mm
Belt: D = 2 mm	double-ply, PVC coated, black
Diameter of rollers:	58 mm
Speed of belt:	10.1 m/min
Motor:	Geared motor, SEW WA 20, 0.18 kW, 54 U/min
Description:	Belt conveyor, running inside, direct drive, complete
Article-No.:	5.111.2121.60030 .64LP.0300×03000
Accessories:	Chassis: Profile 40×40, 30×60 with levelling feet, conveyed height 950 mm

**Belt conveyor**

- running inside
- direct drive

**Profile 30×60**
**Type: 111-2121-60**


Weight of conveyed material:	max. 30 kg/m
Axle distance:	5,000 mm
Width of belt:	650 mm
Belt: D = 2 mm	double-ply, PVC coated, black
Diameter of rollers:	58 mm
Speed of belt:	10.1 m/min
Motor:	Geared motor, Bauer BS 03, 0.18 kW, 54 U/min
Description:	Belt conveyor, running inside, direct drive, complete
Article-No.:	5.111.2121.60030 .64LP.0650×05000
Accessories:	Chassis: Profile 40×40 with levelling feet, conveyed height 190 mm

Introduction	5.01
Conveyors	5.02
Technics	5.03
Order example	5.04
Numerical key	5.05
MayTec Protection Class (M-SK)	5.06

<b>Conveyors</b>	<b>Summary: Conveyors</b>	<b>5.07</b>
	M-SK1 Belt conveyors	5.111
	M-SK1 Plastic link chain conveyors	5.121
	M-SK1 Metal link chain conveyors	5.131
	M-SK2 Belt conveyors	5.211
	Chassis	5. □95
	Plastic / metal link chain belts	5.92
	Technical data: Plastic / metal link chain belts	5.A
	Position of motor	5.B
	Belt speed	5.C
	Request / Order	5.D
	Application samples	5.E

## Subject index

Article number group	Page	Article number group	Page
5.01	Introduction .....	2	
5.02	Conveyors .....	3	
5.03	Technics .....	5	
5.04	Order example .....	6	
5.05	Numerical key .....	6	
5.06	MayTec Protection Class (M-SK) .....	7	
<b>5.07</b>	<b>Conveyors .....</b>	<b>8</b>	
5.07	Summary .....	8	
5.111	M-SK1 Belt conveyors .....	12	
5.111	Type 111-1120 .....	12	
5.111	Type 111-1220 .....	15	
5.111	Type 111-1320 .....	18	
5.111	Type 111-2121 .....	21	
5.111	Type 111-2221 .....	25	
5.111	Type 111-2321 .....	29	
5.111	Type 111-2421 .....	33	
5.121	M-SK1 Plastic link chain conveyors .....	35	
5.121	Type 121-2125 .....	35	
5.121	Type 121-2225 .....	38	
5.121	Type 121-2325 .....	41	
5.121	Type 121-2425 .....	44	
5.131	M-SK1 Metal link chain conveyors .....	46	
5.131	Type 131-2125 .....	46	
5.131	Type 131-2225 .....	48	
5.131	Type 131-2325 .....	50	
5.131	Type 131-2425 .....	52	
5.211	M-SK2 Belt conveyors .....	54	
5.211	Type 211-1120 .....	54	
5.211	Type 211-1220 .....	55	
5.211	Type 211-2121 .....	56	
5.211	Type 211-2321 .....	58	
5.211	Type 211-2421 .....	59	
	<b>Chassis .....</b>	<b>60</b>	
5. □95	Order example for the chassis .....	60	
5. □95	Summary: Chassis .....	61	
5. □95	Leg height / spacing .....	62	
5. □95	Fastening of chassis .....	63	
5. □95	Chassis cross foot - configuration .....	64	
5. □95	Chassis foot - configuration .....	65	
	<b>Plastic / metal link chain belts .....</b>	<b>66</b>	
5.92	Summary .....	66	
5.92	Plastic link chain belt Type UNI Light 3/4" .....	67	
5.92	Plastic link chain belt Type UNI QNB 1" .....	68	
5.92	Plastic link chain belt Type UNI Light EP 1.5" .....	69	
5.92	Metal link chain belt Type Allert 1" .....	70	
5.92	Metal link chain belt Type Allert 1.5" .....	71	
	<b>Appendix .....</b>	<b>72</b>	
5.A	Technical data: Plastic link chain belts .....	72	
5.A	Technical data: Metal link chain belts .....	74	
5.B	Position of motor .....	75	
5.C	Summary: Drive units .....	76	
5.C	Belt speed .....	77	
5.D	Request /Order .....	90	
5.E	Application samples .....	91	

## The MayTec Conveyor System

The MayTec conveyor system provides optimal adaptation to the required task. Belt material, drive type and profile design can be combined in any number of combinations to best suit the application.

Simple handling, reliable technology and solid construction guarantees the problem free operation and long life of the system. Along with the huge range of standard sizes and designs, special sizes and custom designs are available on request.

For self assembly, individual components and assemblies can be delivered along with parts lists and assembly instructions as required.

MayTec offers a conveyor system for rapid implementation with short delivery times.

## The Components

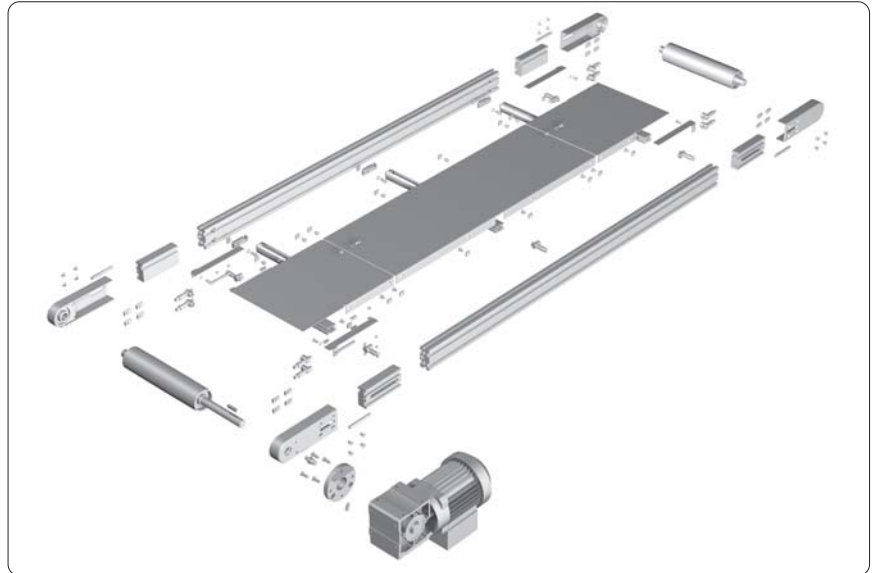
1. Product Type:	<ul style="list-style-type: none"> <li>• Complete conveyor</li> <li>• Components for self assembly</li> </ul>
2. Designs:	<ul style="list-style-type: none"> <li>• MayTec Protection Class: M-SK1</li> <li>• MayTec Protection Class: M-SK2</li> <li>• MayTec Protection Class: M-SK3</li> </ul>
3. Belt Path:	<ul style="list-style-type: none"> <li>• Belt running to outside edge</li> <li>• Belt running along inside edge</li> </ul>
4. Drive Types:	<ul style="list-style-type: none"> <li>• Direct drive</li> <li>• Drive under belt</li> <li>• Center drive</li> <li>• Axial cylinder motor</li> </ul>
5. Conveyor Height:	<ul style="list-style-type: none"> <li>• 30 mm</li> <li>• 60 mm</li> <li>• 100 mm</li> <li>• 150 mm</li> </ul>

## The Advantages

- 1. Available in any required stage of assembly**
- 2. Pivoting bearing housings for shaft bearings**
- 3. Simple belt tensioning**
- 4. Easy removal of drive motor and gearbox**
- 5. Short assembly times**

**Belt Conveyors**

- Belts can be run over the framing profile flush with the outside edge (outside running) or between the profiles (inside running) as required.
- Drive variations include direct drive, drive under the belt, center drive and driven roller.
- The selected height of the conveyor side rail (30, 60, 100 and 150 mm) is governed by the expected maximum weight (max. 110 kg/m).
- Belt widths are available from 30 to 1,200 mm with roller distances from 300 to 12,000 mm and possible belt speeds of 1.5 to 60 m/min.

**Single parts for self assembly**

**Conveyor complete**


## Plastic Link Chain Conveyors

Designed initially for the food industry, plastic link chain conveyors are now being more widely used as alternatives for metal and wire chain link types.

Also, standard material belt conveyors are now being replaced with modular designs due to shorter life spans of lines. MayTec conveyor building blocks are available in belt heights of 60, 100 and 150 mm with chain links of 1/2, 3/4, 1 and 1.5 inches.

- The plastic chain belt must be run between the profiles (inside running).
- Drive variations include direct drive, center drive and driven roller.
- The selected height of the plastic link chain conveyor can be 60, 100 or 150 mm and is governed by the maximum weight of 150 kg/m.
- Belt widths are available from 100 to 2,000 mm with roller distances from 300 to 25,000 mm and belt speeds of 3.0 to 30 m/min.

## The Advantages

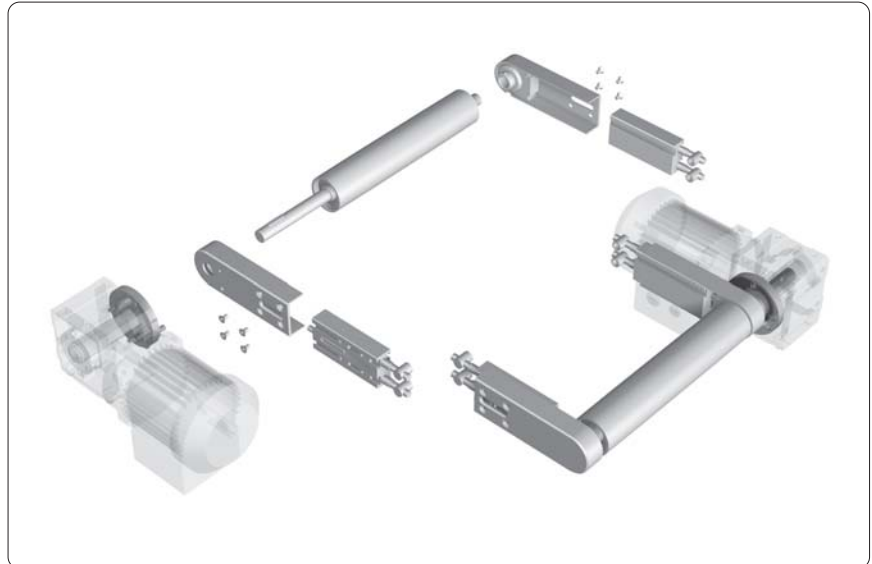
- 1. Positive geared tooth drive.**
- 2. Tensioning device often not required or used with very little adjustment.**
- 3. Belt control is simple, side movement impossible, little or no belt maintenance required.**
- 4. Plastic link chain belts can be used over a wide temperature spectrum.**
- 5. Corners can be easily achieved through curved designs without handing product over between two straight lines.**
- 6. Large axis distances are possible due to the strength and stability of the belt.**
- 7. Endless belts can be assembled without any special tools.**
- 8. Damaged sections of belts can be replaced separately without replacing the whole line.**
- 9. Spare parts inventory is reduced as only short belt lengths need to be kept.**
- 10. Plastic link chain belts offer a high degree of lateral stability.**
- 11. Open surface design (e.g. mesh form) of the belt is possible.**
- 12. Belt width can be larger than the axis distance.**
- 13. No limits to belt width.**
- 14. Simple cleaning.**
- 15. Low slide resistance of the material.**
- 16. Higher resistance to cutting and impact damage.**
- 17. No expensive, high tolerance drive and idling rollers required.**
- 18. Cross members and side plates for inclined conveyors can be fitted with small guide rollers.**

The most important factors for an effective assembly and operation of the unit are:

- Simple assembly
- Simple adjusting of the belt

## End Roller Brackets

- No overlapping of the frame profile
- Pivoting shaft bearings in casing
- Anodised aluminium housing



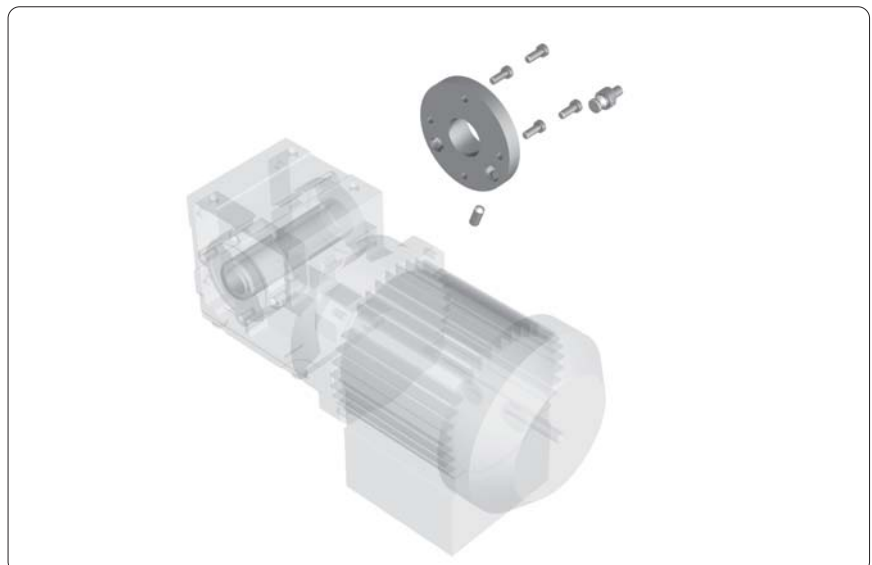
The bearing for the end roller shafts are mount in spherical sockets to allow the pivoting movement of the shaft without causing damage.

This technology eliminates any pivotal forces and damage to the bearing caused by one sided adjustments of the roller to compensate for belt tolerances.

The exact nature of the shaft guidance provided by the end roller brackets allows fine adjustments of the belt tension to be made.

## Drive Mounting

- Completely encased drive shaft
- Rapid change drive system



The drive shaft is completely protected by a ring flange thereby saving the shaft from dirt build-up and protecting the system from external particles or objects.

The motor and gearbox are mounted to the line using a special flange with a single locking bolt allowing the drive to be changed in a matter of seconds.

**Description:**
**M-SK1 Belt conveyor complete**

- linear
- running outside
- direct drive
- position of profile vertical
- profile 30x100, 8F,P

**Article-No.:**  
**Type 111-1120-100**
**5.111.1120.10030**  
**.84P.□□□□x□□□□□**  
width × height

**Numerical key**
**5.05**
**Conveyor**

Type
5.□□□.□□□□.□□□□□
5.□□□.□□□□.□□□□□
5.□□□.□□□□.□□□□□
5.□□□.□□□□.□□□□□
5.□□□.□□□□.□□□□□
5.□□□.□□□□.□□□□□
5.□□□.□□□□.□□□□□
5.□□□.□□□□.□□□□□
5.□□□.□□□□.□□□□□

**Key (line 1)**

- Design <sup>1)</sup>
- Type <sup>2)</sup>
- Construction <sup>3)</sup>
- Position of belt <sup>4)</sup>
- Kind of drive <sup>5)</sup>
- Position of profile <sup>6)</sup>
- Belt support plate <sup>7)</sup>
- Conveyor - height
- Profile width

- <sup>1)</sup> MayTec Class
- 1 = M-SK1
- 2 = M-SK2
- 3 = M-SK3
- <sup>2)</sup> 1 = Belt conveyor
- 2 = Plastic link chain conveyor
- 3 = Metal link chain conveyor

.□□□□.□□□□x□□□□□
□□□□ □□□□x□□□□□
.□□□□.□□□□x□□□□□
.□□□□.□□□□x□□□□□




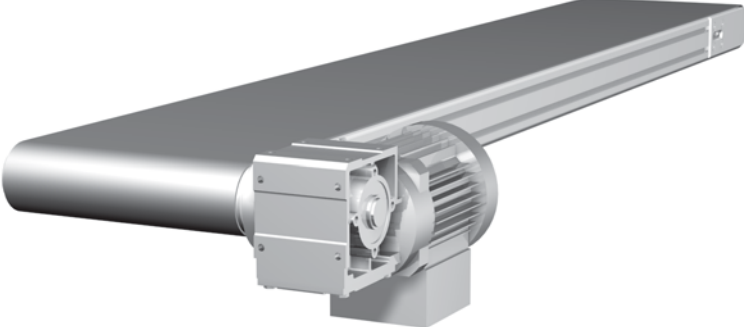


**Key (line 2)**

- Profile-Type
- Belt width
- Axle distance

- <sup>3)</sup> 1 = Linear
- 2 = Ascending
- 3 = Angled
- 4 = Curved
- <sup>4)</sup> 1 = running outside
- 2 = running inside
- <sup>5)</sup> 1 = Direct drive
- 2 = Drive under belt
- 3 = Center drive
- 4 = Axial cylinder motor
- <sup>6)</sup> 1 = horizontal
- 2 = vertical
- <sup>7)</sup> 0 = flat
- 1 = channeld down
- 2 = channeld up
- 5 = slide rail Type 1
- 6 = slide rail Type 2



	Description		MayTec Protection Class		
			M-SK1	M-SK2	M-SK3
Base Frame	Frame Profiles	with slots	•		
		without slots		•	•
	Support Plates	stainless	•	•	•
	Support Rollers	galvanised	•	•	
stainless				•	
Drive Roller	Bearing	standard	•	•	
		stainless			•
	Rollers, Shafts	St-52	•		
		stainless		•	•
	Cover for Tensioning Unit		•	•	
Drive Mounting Set	Bearing	standard	•	•	
		stainless			•
	Shafts	St-52	•		
		stainless		•	•
Connection Elements	Screws	galvanised	•	•	
		stainless			•
	Connectors	galvanised	•	•	
		stainless			•
Accessories	Motor	IP 54	•	•	
		IP 65			•
	Belt	PVC	•	•	
		PU			•

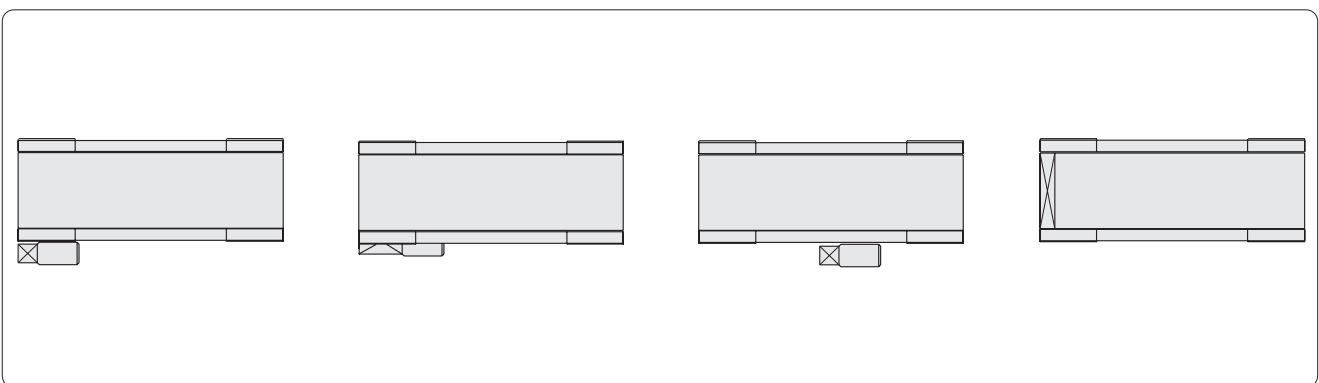
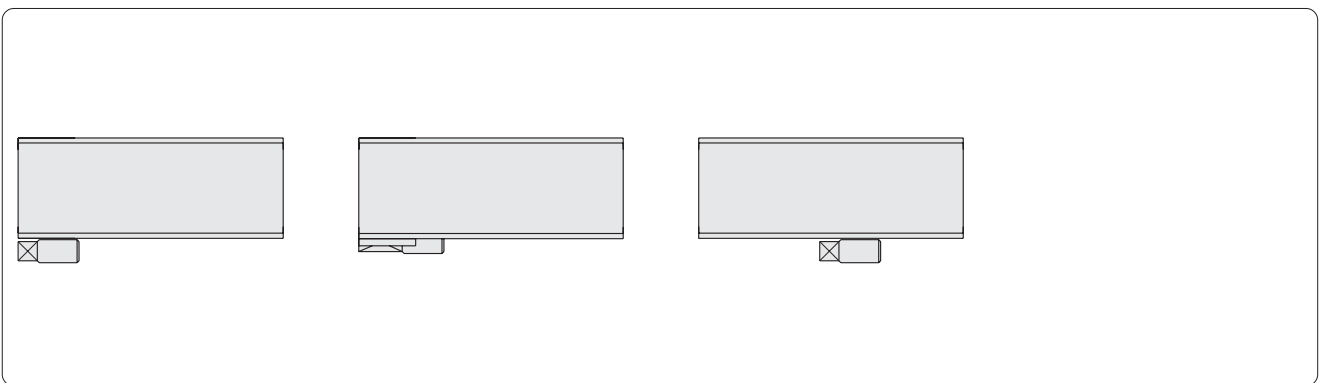
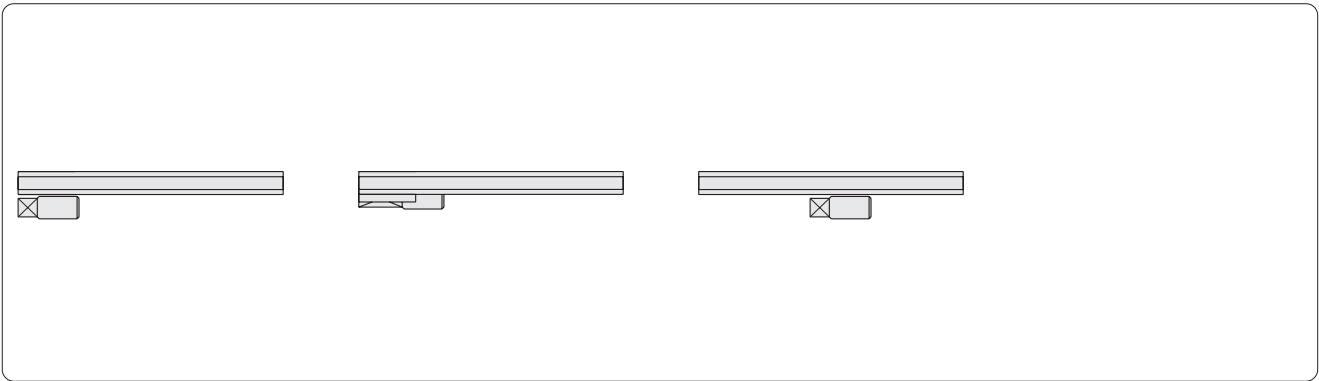
Belt	Position of profile	Example
running outside	<p data-bbox="397 286 512 315">horizontal</p> 	
	<p data-bbox="413 734 496 763">vertical</p> 	
running inside	<p data-bbox="413 1263 496 1292">vertical</p> 	

Direct drive

Drive under belt

Center drive

Axial cylinder motor



Belt running outside  
Position of profile vertical



Direct drive



Drive under belt



Center drive



Belt running inside  
Position of profile vertical



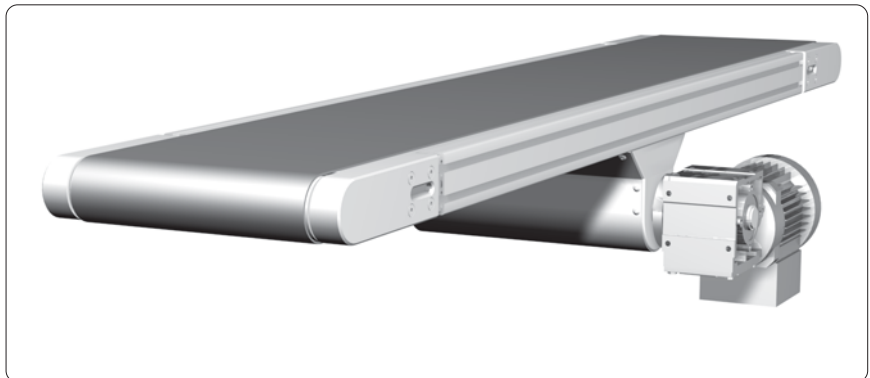
Direct drive



Drive under belt



Center drive



Axial cylinder motor



## M-SK1 Belt conveyor

- running outside
- direct drive

Profile 30x30

Type: 111-1120-30



Technical data	
Weight of conveyed material:	max. 15 kg/m
Width of belt:	100 - 300 mm
Axle distance:	300 - 3,000 mm
Belt: D = 1.2 mm	double-ply, PVC coated, black
Diameter of power / deflection roller:	32 mm
Speed of belt:	1.5 - 16 m/min ( $\pm 5\%$ )
Motor:	as required

For self assembly, please request the technical documentation including parts lists, exploded diagrams and assembly instructions.

### Description

### Article-No.

M-SK1 Belt conveyor, running outside, direct drive, complete 5.111.1120.30030

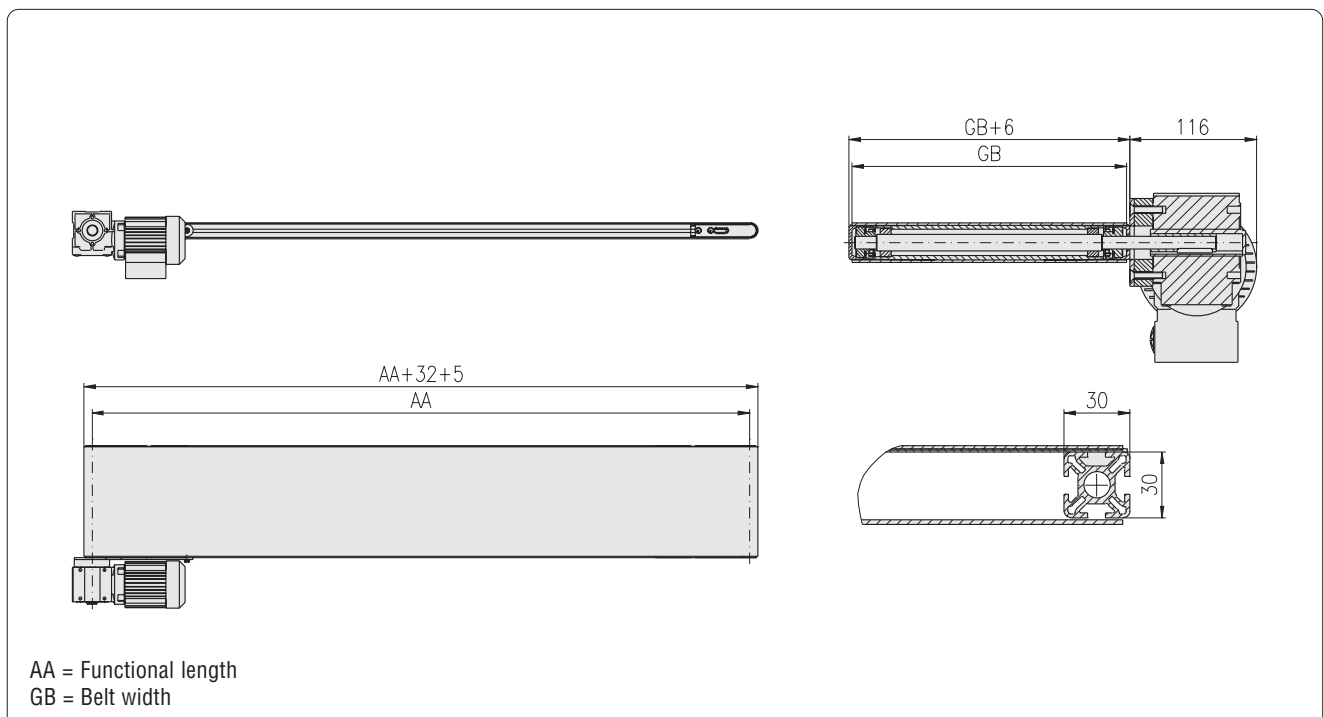
.43P.□□□□×□□□□□

(width×length in mm)

- Profile vertical

- Profile 30x30, 4F, P

Delivery unit without motor



## M-SK1 Belt conveyor

- running outside
- direct drive

Profile 30x60

Type: 111-1120-60



Technical data	
Weight of conveyed material:	max. 30 kg/m
Width of belt:	100 - 600 mm
Axle distance:	300 - 6,000 mm
Belt: D = 2 mm	double-ply, PVC coated, black
Diameter of power / deflection roller:	61 mm
Speed of belt:	2.5 - 60 m/min ( $\pm 5\%$ )
Motor:	as required

For self assembly, please request the technical documentation including parts lists, exploded diagrams and assembly instructions.

### Description

### Article-No.

M-SK1 Belt conveyor, running outside, direct drive, complete 5.111.1120.60030

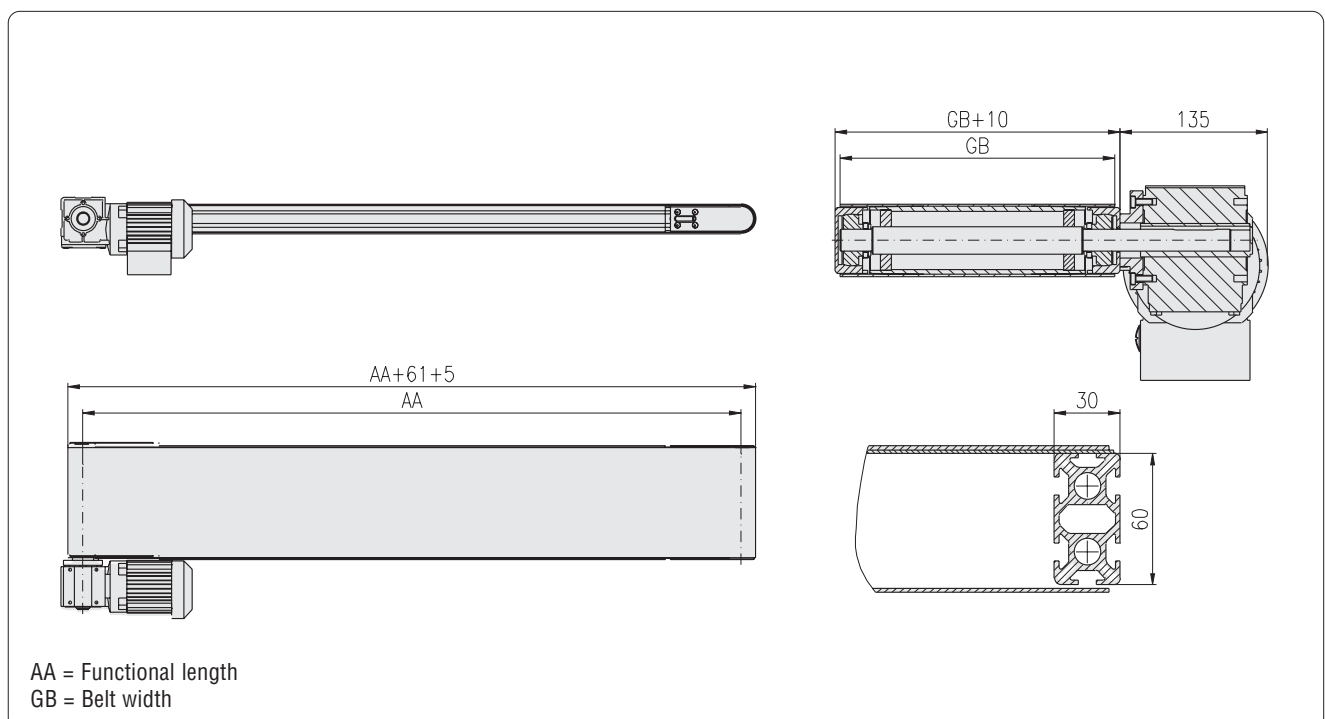
.64LP.□□□□×□□□□□

(width×length in mm)

- Profile vertical

- Profile 30x60, 6F, LP

Delivery unit without motor



## M-SK1 Belt conveyor

- running outside
- direct drive

Profile 30×100

Type: 111-1120-100



Technical data	
Weight of conveyed material:	max. 70 kg/m
Width of belt:	200 - 1,000 mm
Axle distance:	500 - 12,000 mm
Belt: D = 2 mm	double-ply, PVC coated, black
Diameter of power / deflection roller:	101 mm
Speed of belt:	3.7 - 60 m/min (± 5%)
Motor:	as required

For self assembly, please request the technical documentation including parts lists, exploded diagrams and assembly instructions.

### Description

### Article-No.

M-SK1 Belt conveyor, running outside, direct drive, complete 5.111.1120.10030

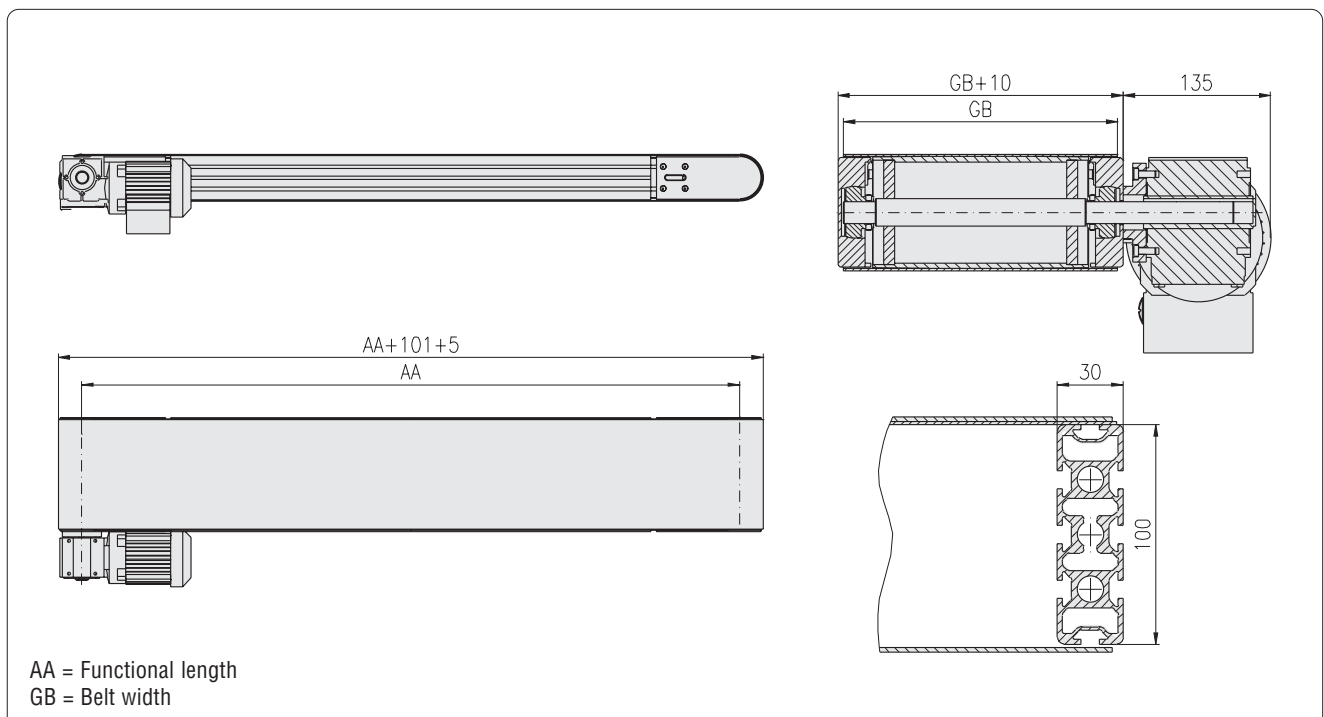
.84P.□□□□×□□□□□

(width×length in mm)

- Profile vertical

- Profile 30×100, 8F, P

Delivery unit without motor





## M-SK1 Belt conveyor

- running outside
- drive under belt

Profile 30x30

Type: 111-1220-30



Technical data	
Weight of conveyed material:	max. 15 kg/m
Width of belt:	100 - 300 mm
Axle distance:	300 - 3,000 mm
Belt: D = 1.2 mm	double-ply, PVC coated, black
Diameter of power / deflection roller:	32 mm
Speed of belt:	2 - 30 m/min (± 5%)
Motor:	as required

For self assembly, please request the technical documentation including parts lists, exploded diagrams and assembly instructions.

### Description

### Article-No.

M-SK1 Belt conveyor, running outside, drive under belt, complete 5.111.1220.30030

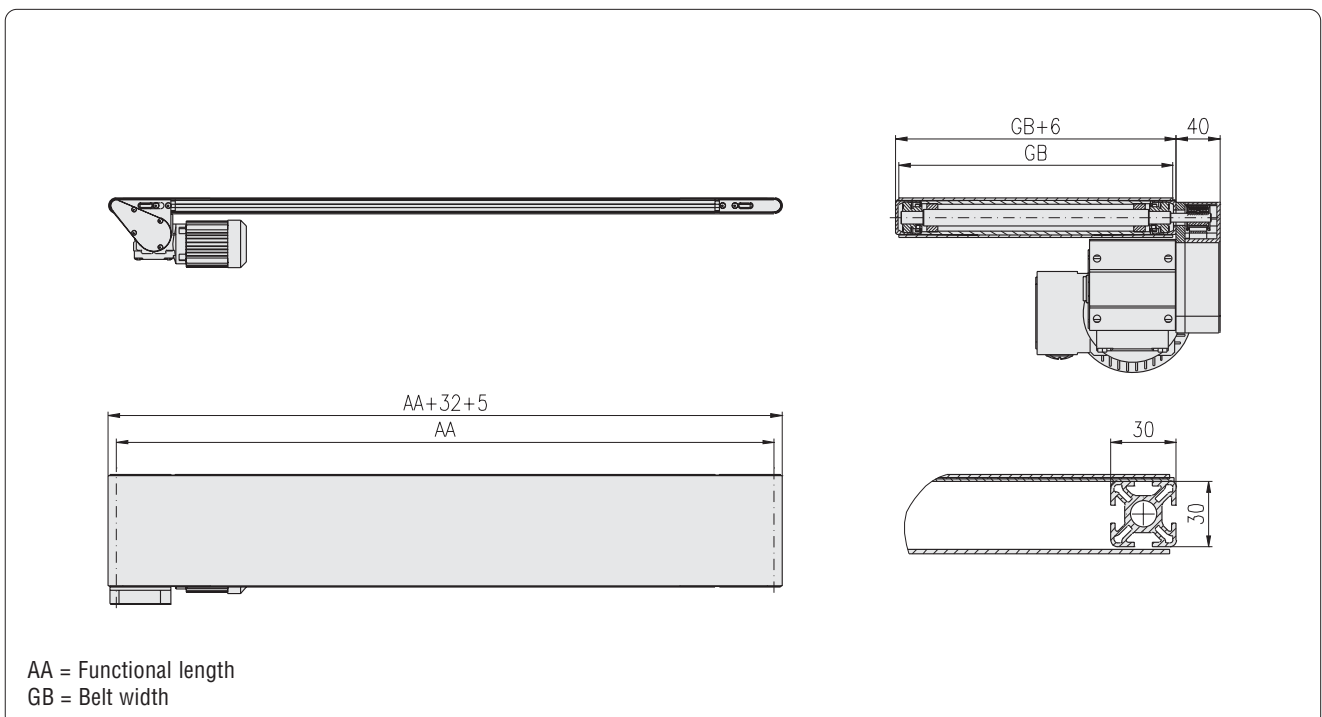
.43P.□□□□×□□□□□

(width×length in mm)

- Profile vertical

- Profile 30x30, 4F, P

Delivery unit without motor



**M-SK1 Belt conveyor**

- running outside
- drive under belt

**Profile 30x60**
**Type: 111-1220-60**


Technical data	
Weight of conveyed material:	max. 30 kg/m
Width of belt:	100 - 600 mm
Axle distance:	300 - 6,000 mm
Belt: D = 2 mm	double-ply, PVC coated, black
Diameter of power / deflection roller:	61 mm
Speed of belt:	1.5 - 60 m/min (± 5%)
Motor:	as required

For self assembly, please request the technical documentation including parts lists, exploded diagrams and assembly instructions.

**Description**
**Article-No.**

M-SK1 Belt conveyor, running outside, drive under belt, complete 5.111.1220.60030

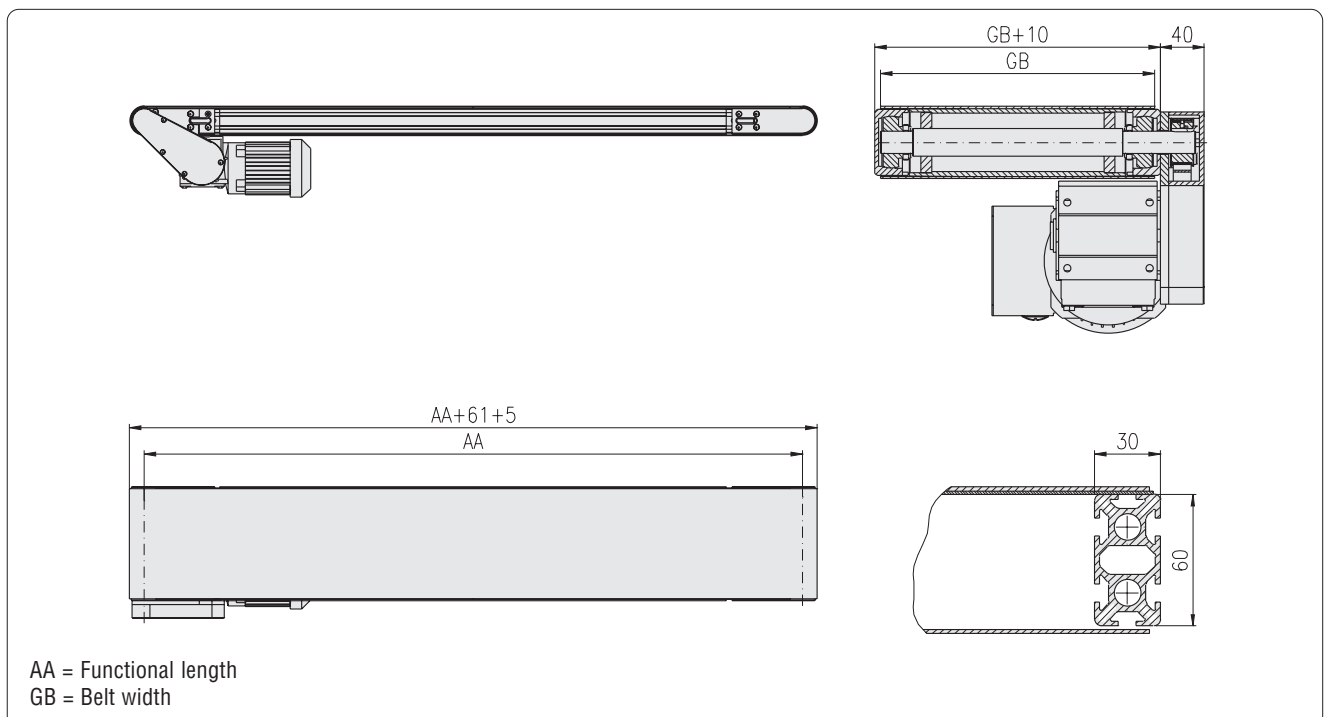
.64LP.□□□□×□□□□□

(width×length in mm)

- Profile vertical

- Profile 30x60, 6F, LP

Delivery unit without motor



## M-SK1 Belt conveyor

- running outside
- drive under belt

Profile 30x100

Type: 111-1220-100



Technical data	
Weight of conveyed material:	max. 70 kg/m
Width of belt:	200 - 1,000 mm
Axle distance:	500 - 12,000 mm
Belt: D = 2 mm	double-ply, PVC coated, black
Diameter of power / deflection roller:	101 mm
Speed of belt:	2 - 60 m/min (± 5%)
Motor:	as required

For self assembly, please request the technical documentation including parts lists, exploded diagrams and assembly instructions.

### Description

### Article-No.

M-SK1 Belt conveyor, running outside, drive under belt, complete 5.111.1220.10030

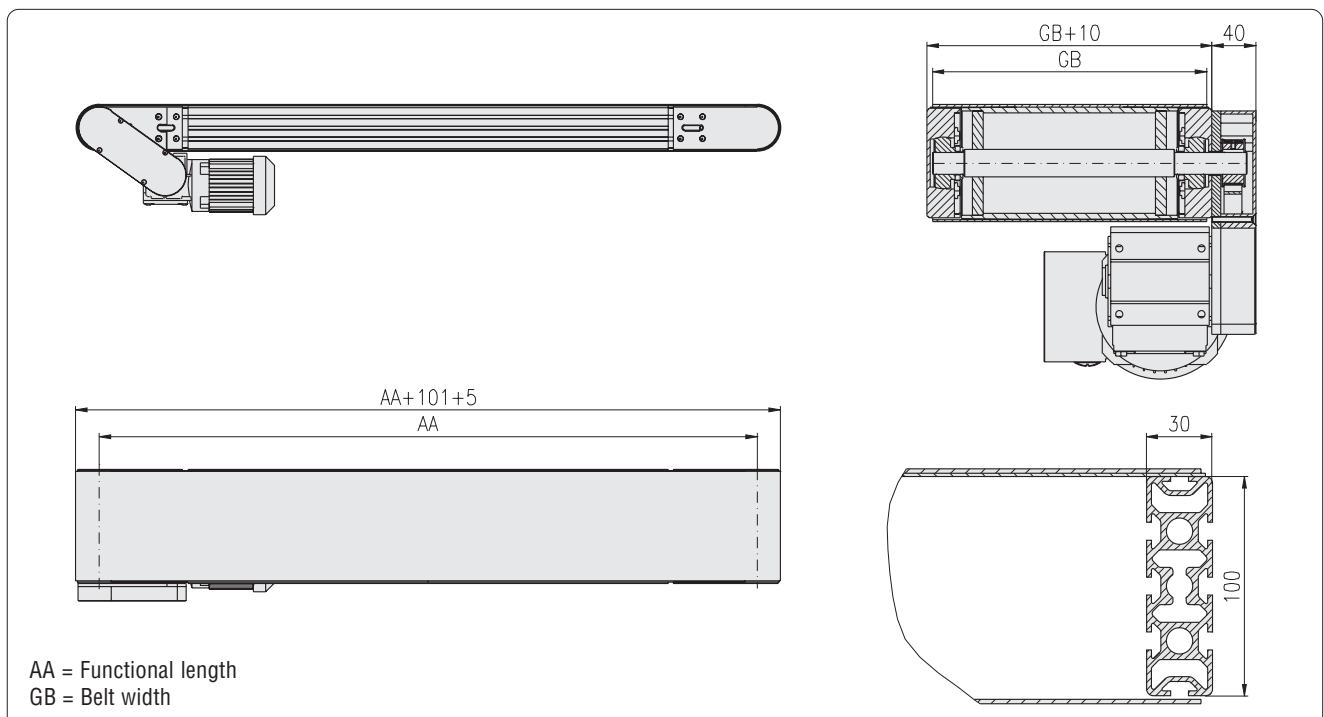
.84P.□□□□×□□□□□

(width×length in mm)

- Profile vertical

- Profile 30x100, 8F, P

Delivery unit without motor



## M-SK1 Belt conveyor

- running outside
- center drive

Profile 30x30

Type: 111-1320-30



Technical data	
Weight of conveyed material:	max. 15 kg/m
Width of belt:	100 - 300 mm
Axle distance:	300 - 3,000 mm
Belt: D = 1.2 mm	double-ply, PVC coated, black
Diameter of power / deflection roller:	61 mm
Speed of belt:	2.5 - 60 m/min (± 5%)
Motor:	as required

For self assembly, please request the technical documentation including parts lists, exploded diagrams and assembly instructions.

### Description

### Article-No.

M-SK1 Belt conveyor, running outside, center drive, complete 5.111.1320.30030

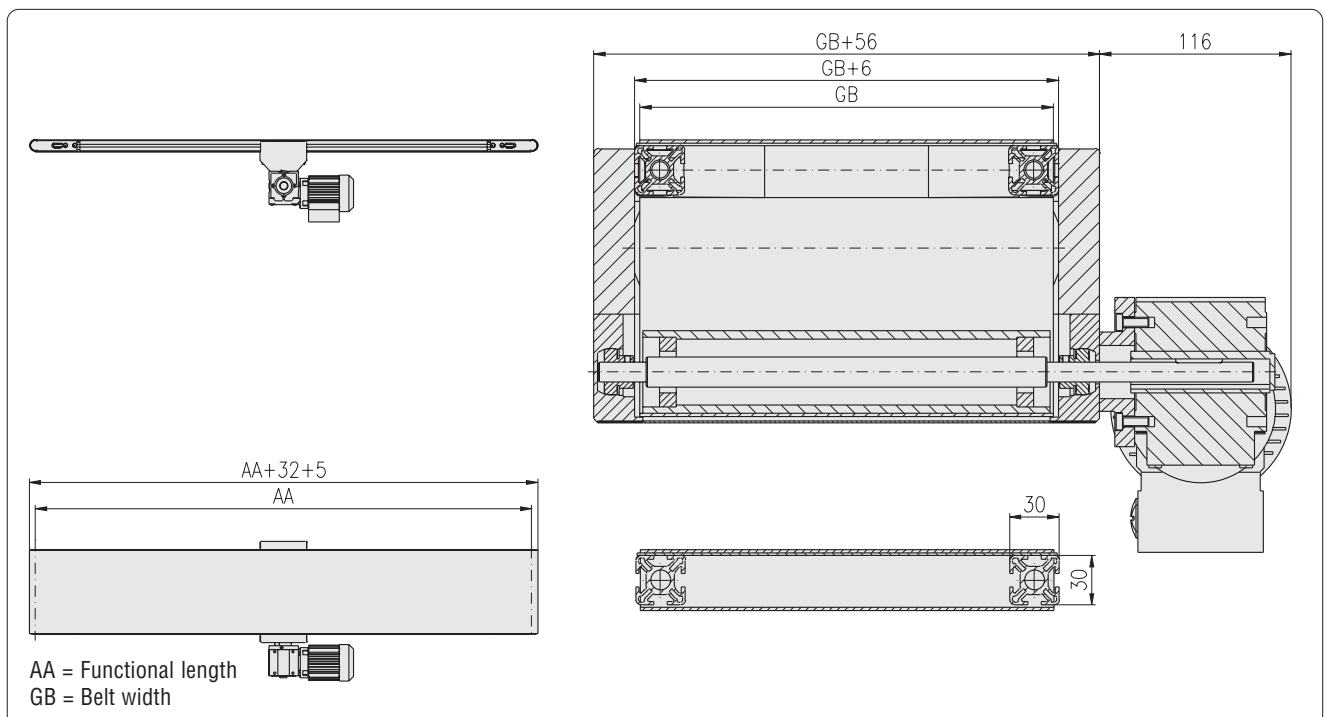
.43P.□□□□×□□□□□

(width×length in mm)

- Profile vertical

- Profile 30x30, 4F, P

Delivery unit without motor



## M-SK1 Belt conveyor

- running outside
- center drive

Profile 30x60

Type: 111-1320-60



Technical data	
Weight of conveyed material:	max. 30 kg/m
Width of belt:	100 - 600 mm
Axle distance:	300 - 6,000 mm
Belt: D = 1.2 mm	double-ply, PVC coated, black
Diameter of power / deflection roller:	61 mm
Speed of belt:	2.5 - 60 m/min (± 5%)
Motor:	as required

For self assembly, please request the technical documentation including parts lists, exploded diagrams and assembly instructions.

### Description

### Article-No.

M-SK1 Belt conveyor, running outside, center drive, complete 5.111.1320.60030

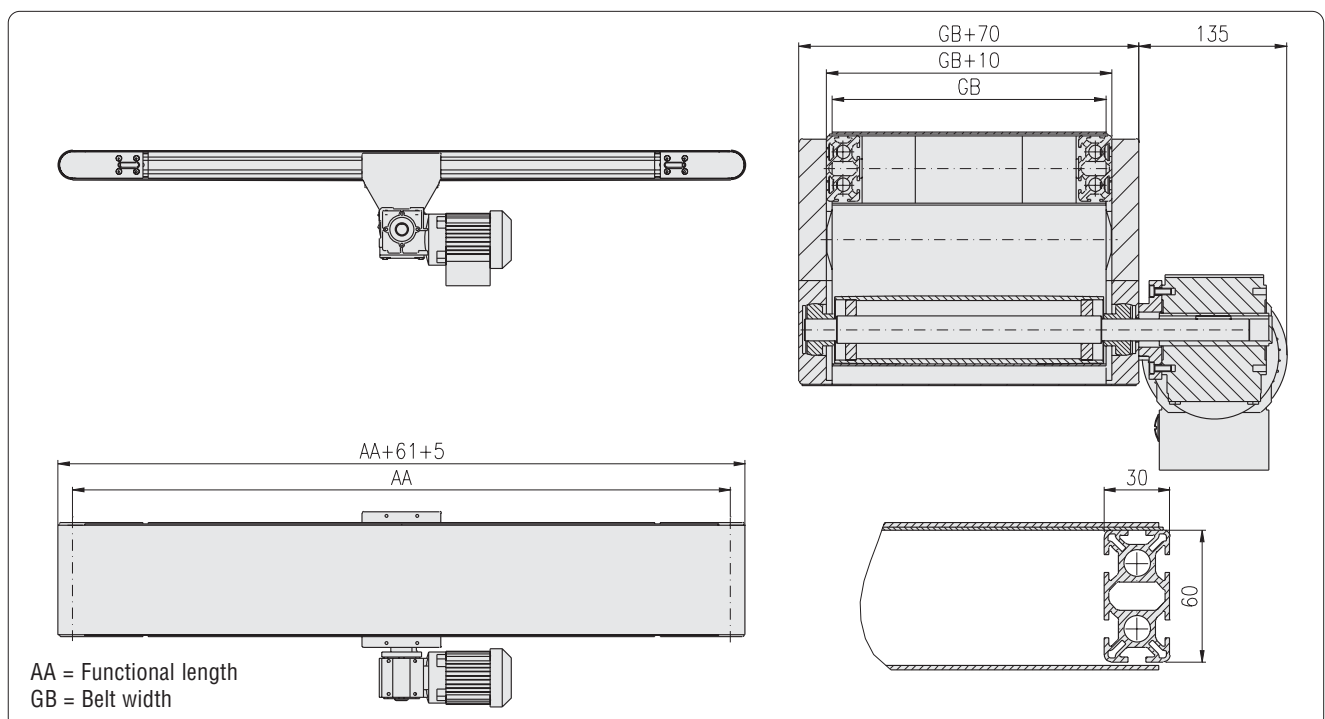
.64LP.□□□□×□□□□□

(width×length in mm)

- Profile vertical

- Profile 30x60, 6F, LP

Delivery unit without motor



## M-SK1 Belt conveyor

- running outside
- center drive

Profile 30x100

Type: 111-1320-100



Technical data	
Weight of conveyed material:	max. 70 kg/m
Width of belt:	200 - 1,000 mm
Axle distance:	500 - 12,000 mm
Belt: D = 1.2 mm	double-ply, PVC coated, black
Diameter of power / deflection roller:	101 mm
Speed of belt:	3.7 - 60 m/min (± 5%)
Motor:	as required

For self assembly, please request the technical documentation including parts lists, exploded diagrams and assembly instructions.

### Description

### Article-No.

M-SK1 Belt conveyor, running outside, center drive, complete 5.111.1320.10030

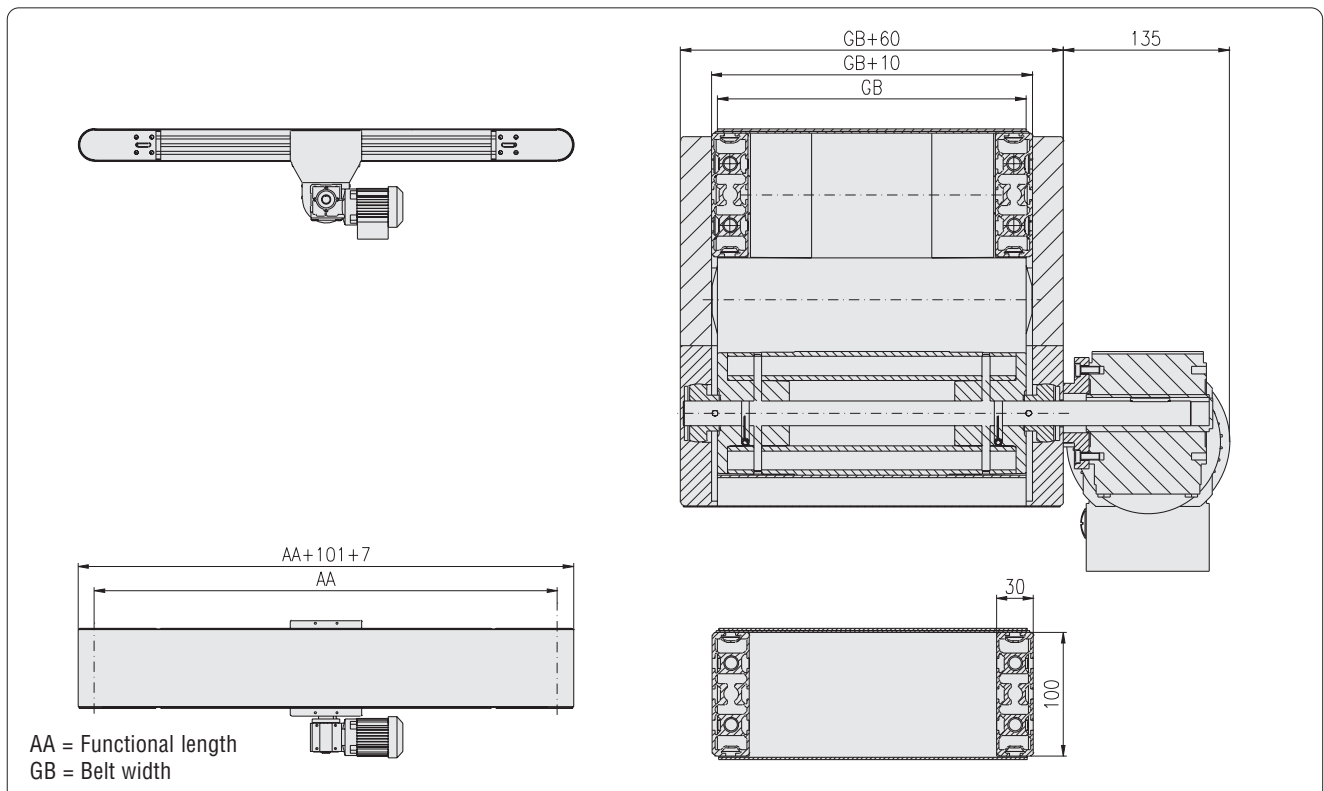
.84P.□□□□×□□□□□

(width×length in mm)

- Profile vertical

- Profile 30x100, 8F, P

Delivery unit without motor



## M-SK1 Belt conveyor

- running inside
- direct drive

Profile 30x30

Type: 111-2121-30



Technical data	
Weight of conveyed material:	max. 15 kg/m
Width of belt:	100 - 300 mm
Axle distance:	300 - 3,000 mm
Belt: D = 1.2 mm	double-ply, PVC coated, black
Diameter of power / deflection roller:	28 mm
Speed of belt:	1.5 - 15 m/min ( $\pm 5\%$ )
Motor:	as required

For self assembly, please request the technical documentation including parts lists, exploded diagrams and assembly instructions.

### Description

### Article-No.

M-SK1 Belt conveyor, running inside, direct drive, complete 5.111.2121.30030

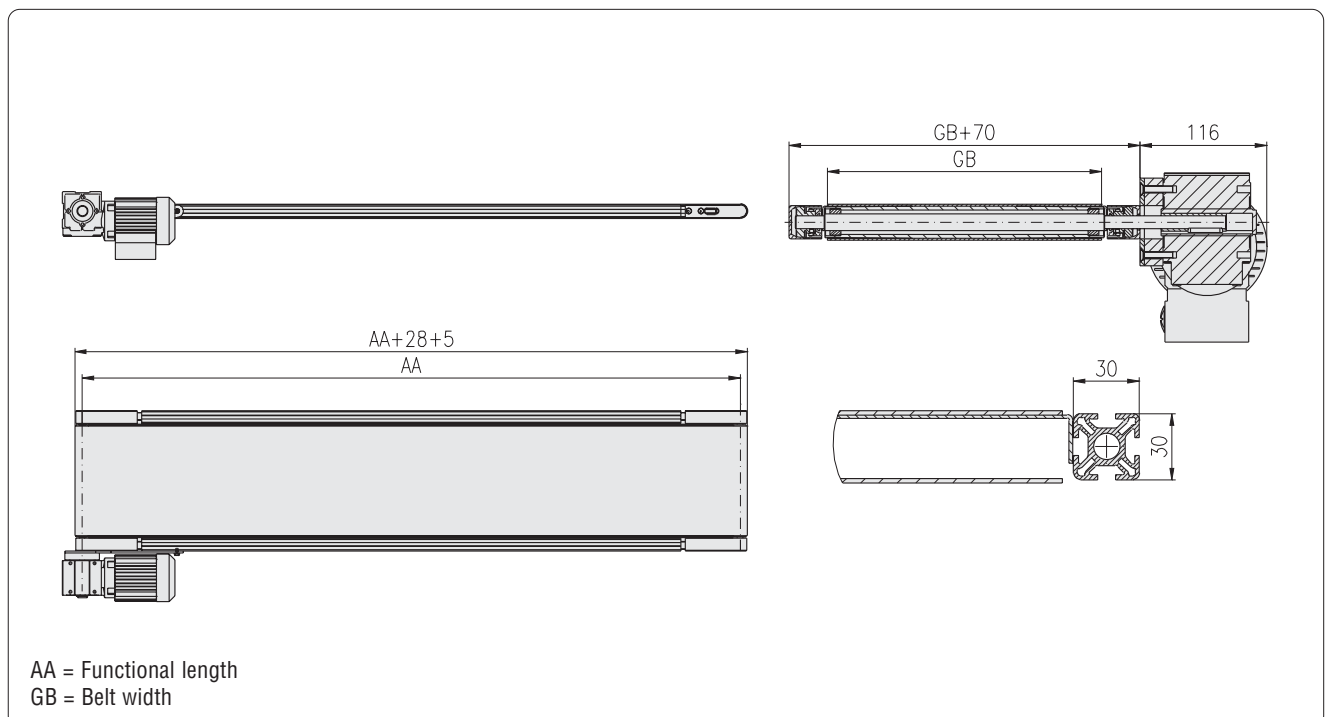
.43P.□□□□x□□□□□

(width×length in mm)

- Profile vertical

- Profile 30x30, 4F, P

Delivery unit without motor



## M-SK1 Belt conveyor

- running inside
- direct drive

Profile 30x60

Type: 111-2121-60



Technical data	
Weight of conveyed material:	max. 30 kg/m
Width of belt:	100 - 600 mm
Axle distance:	300 - 6,000 mm
Belt: D = 2 mm	double-ply, PVC coated, black
Diameter of power / deflection roller:	58 mm
Speed of belt:	2.5 - 60 m/min (± 5%)
Motor:	as required

For self assembly, please request the technical documentation including parts lists, exploded diagrams and assembly instructions.

### Description

### Article-No.

M-SK1 Belt conveyor, running inside, direct drive, complete 5.111.2121.60030

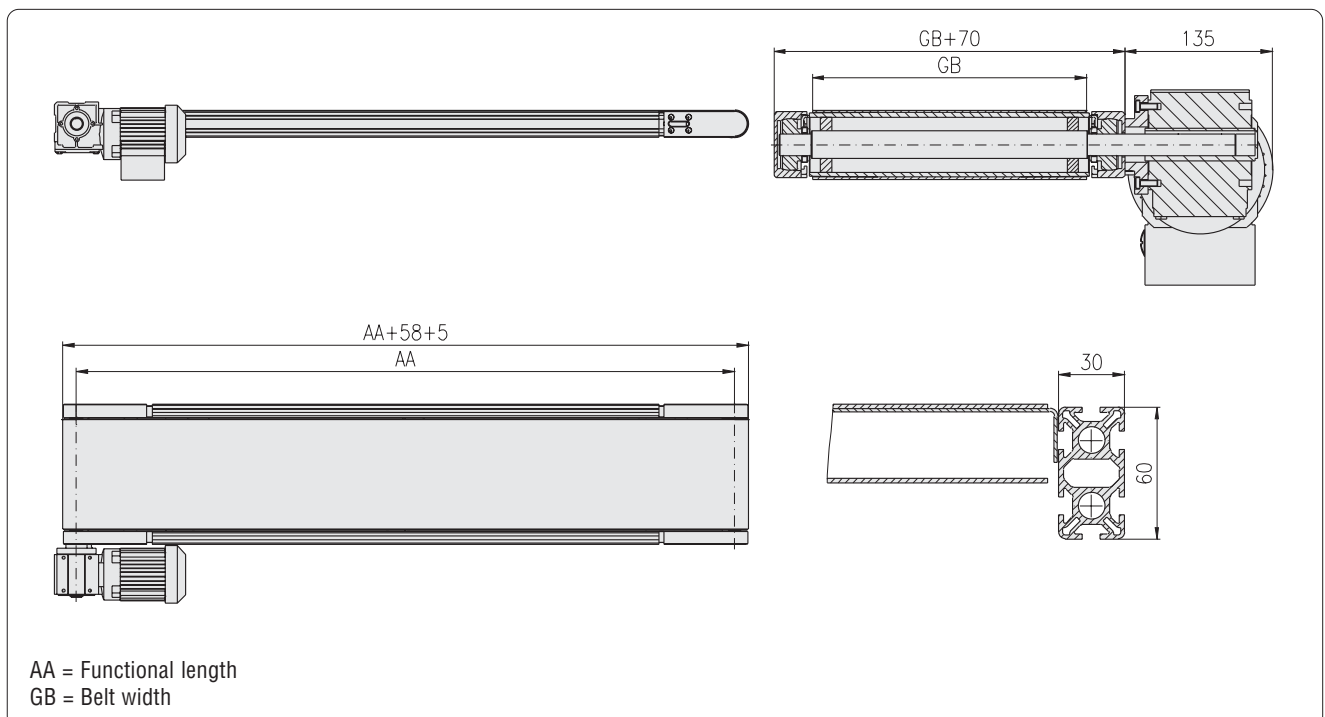
.64LP.□□□□x□□□□□

(width×length in mm)

- Profile vertical

- Profile 30x60, 6F, LP

Delivery unit without motor





## M-SK1 Belt conveyor

- running inside
- direct drive

Profile 30×100

Type: 111-2121-100



Technical data	
Weight of conveyed material:	max. 70 kg/m
Width of belt:	200 - 1,000 mm
Axle distance:	500 - 12,000 mm
Belt: D = 2 mm	double-ply, PVC coated, black
Diameter of power / deflection roller:	98 mm
Speed of belt:	3.7 - 60 m/min (± 5%)
Motor:	as required

For self assembly, please request the technical documentation including parts lists, exploded diagrams and assembly instructions.

### Description

### Article-No.

M-SK1 Belt conveyor, running inside, direct drive, complete 5.111.2121.10030

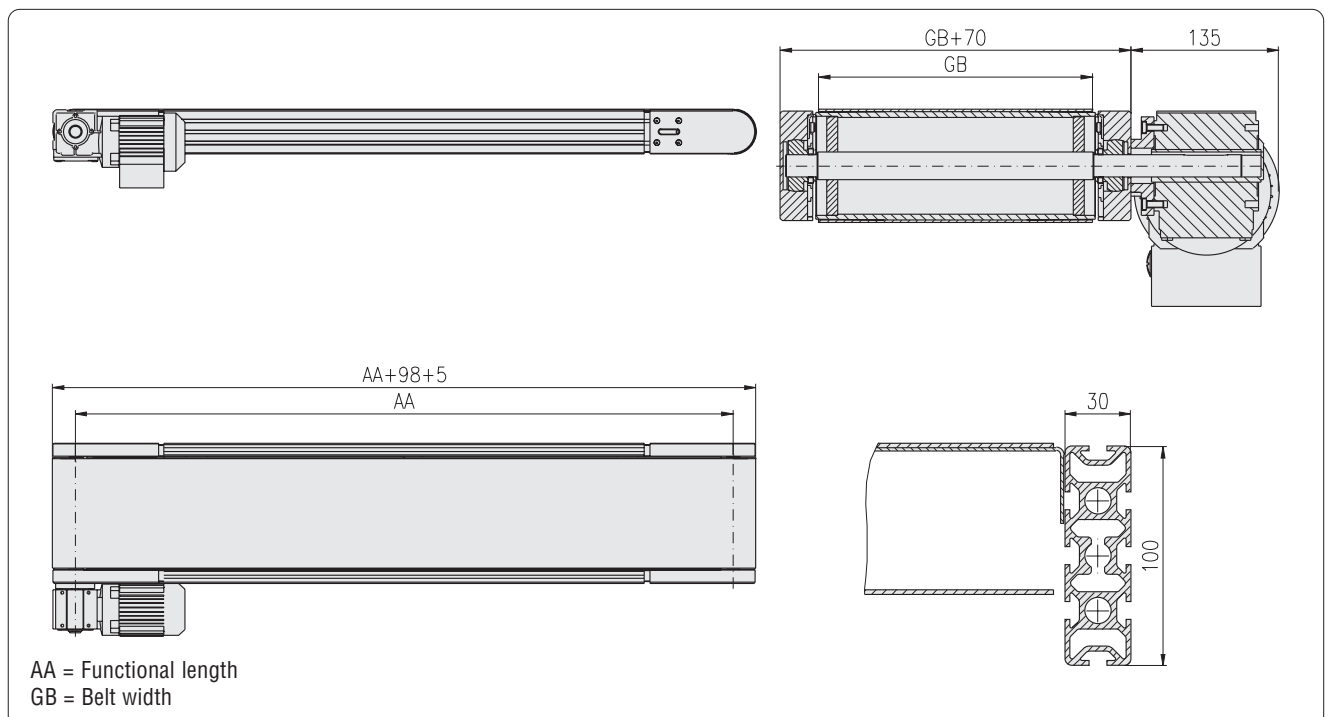
.84P.□□□□×□□□□□

(width×length in mm)

- Profile vertical

- Profile 30×100, 8F, P

Delivery unit without motor



## M-SK1 Belt conveyor

- running inside
- direct drive

Profile 30×150

Type: 111-2121-150



Technical data	
Weight of conveyed material:	max. 110 kg/m
Width of belt:	300 - 1,300 mm
Axle distance:	500 - 12,000 mm
Belt: D = 2 mm	double-ply, PVC coated, black
Diameter of power / deflection roller:	148 mm
Speed of belt:	5.6 - 60 m/min (± 5%)
Motor:	as required

For self assembly, please request the technical documentation including parts lists, exploded diagrams and assembly instructions.

### Description

### Article-No.

M-SK1 Belt conveyor, running inside, direct drive, complete 5.111.2121.15030

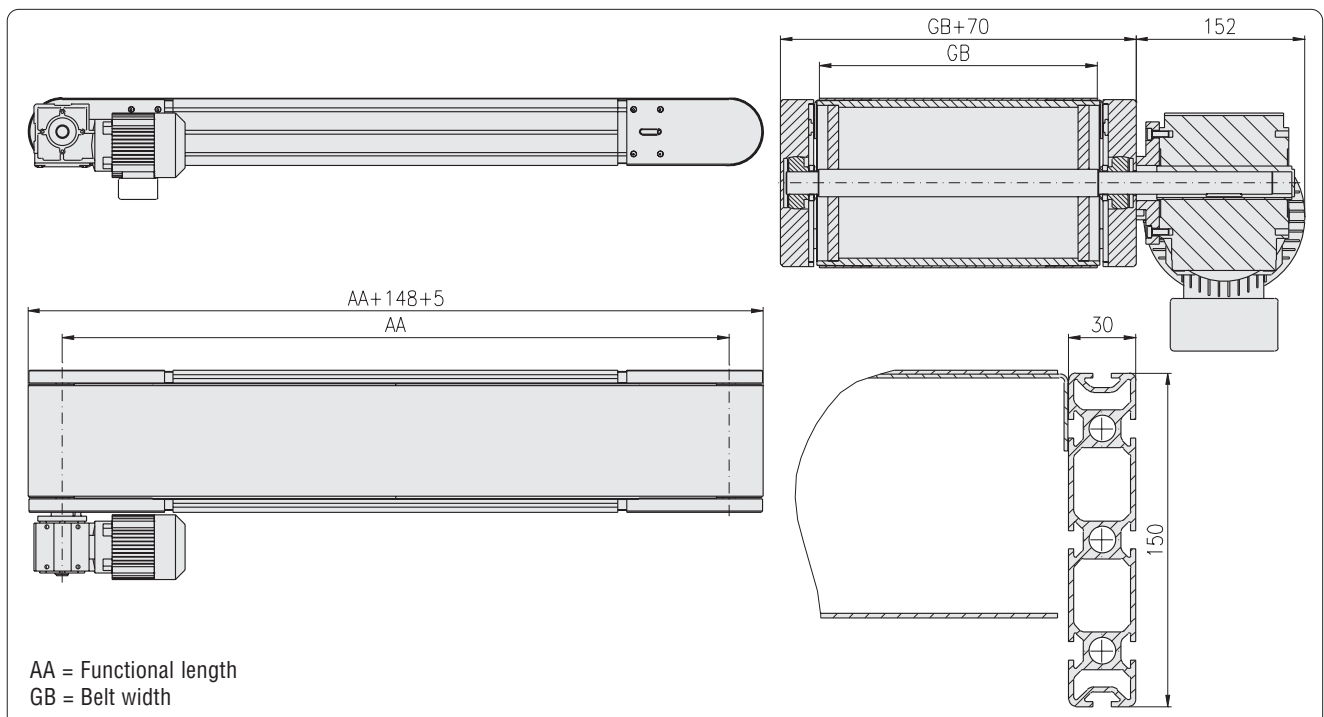
.85P.□□□□×□□□□□

(width×length in mm)

- Profile vertical

- Profile 30×150, 8F, P

Delivery unit without motor



## M-SK1 Belt conveyor

- running inside
- drive under belt

Profile 30x30

Type: 111-2221-30



Technical data	
Weight of conveyed material:	max. 15 kg/m
Width of belt:	100 - 300 mm
Axle distance:	300 - 3,000 mm
Belt: D = 1.2 mm	double-ply, PVC coated, black
Diameter of power / deflection roller:	28 mm
Speed of belt:	2 - 30 m/min (± 5%)
Motor:	as required

For self assembly, please request the technical documentation including parts lists, exploded diagrams and assembly instructions.

### Description

### Article-No.

M-SK1 Belt conveyor, running inside, drive under belt, complete 5.111.2221.30030

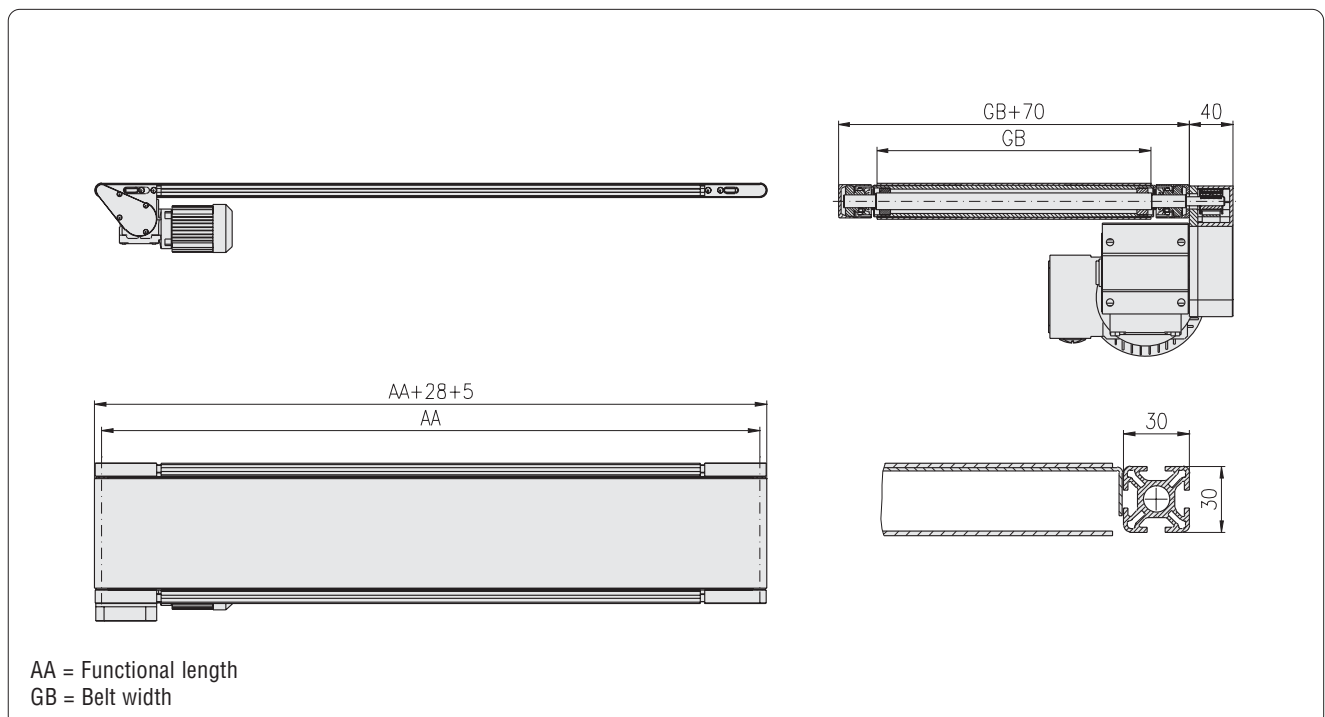
.43P.□□□□×□□□□□

(width×length in mm)

- Profile vertical

- Profile 30x30, 4F, P

Delivery unit without motor



## M-SK1 Belt conveyor

- running inside
- drive under belt

Profile 30x60

Type: 111-2221-60



Technical data	
Weight of conveyed material:	max. 30 kg/m
Width of belt:	100 - 600 mm
Axle distance:	300 - 6,000 mm
Belt: D = 2 mm	double-ply, PVC coated, black
Diameter of power / deflection roller:	58 mm
Speed of belt:	1.5 - 60 m/min (± 5%)
Motor:	as required

For self assembly, please request the technical documentation including parts lists, exploded diagrams and assembly instructions.

### Description

### Article-No.

M-SK1 Belt conveyor, running inside, drive under belt, complete 5.111.2221.60030

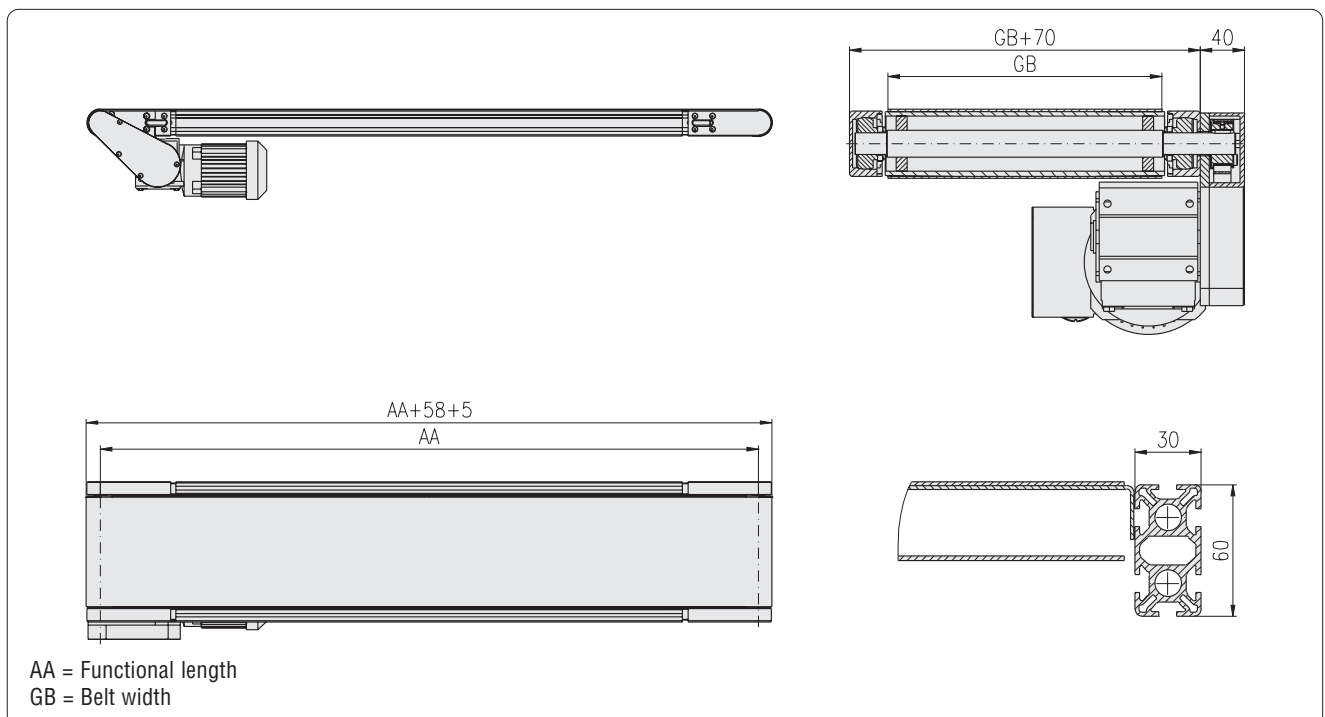
.64LP.□□□□x□□□□□

(widthxlength in mm)

- Profile vertical

- Profile 30x60, 6F, LP

Delivery unit without motor



## M-SK1 Belt conveyor

- running inside
- drive under belt

Profile 30x100

Type: 111-2221-100



Technical data	
Weight of conveyed material:	max. 70 kg/m
Width of belt:	200 - 1,000 mm
Axle distance:	500 - 12,000 mm
Belt: D = 2 mm	double-ply, PVC coated, black
Diameter of power / deflection roller:	98 mm
Speed of belt:	2 - 60 m/min (± 5%)
Motor:	as required

For self assembly, please request the technical documentation including parts lists, exploded diagrams and assembly instructions.

### Description

### Article-No.

M-SK1 Belt conveyor, running inside, drive under belt, complete 5.111.2221.10030

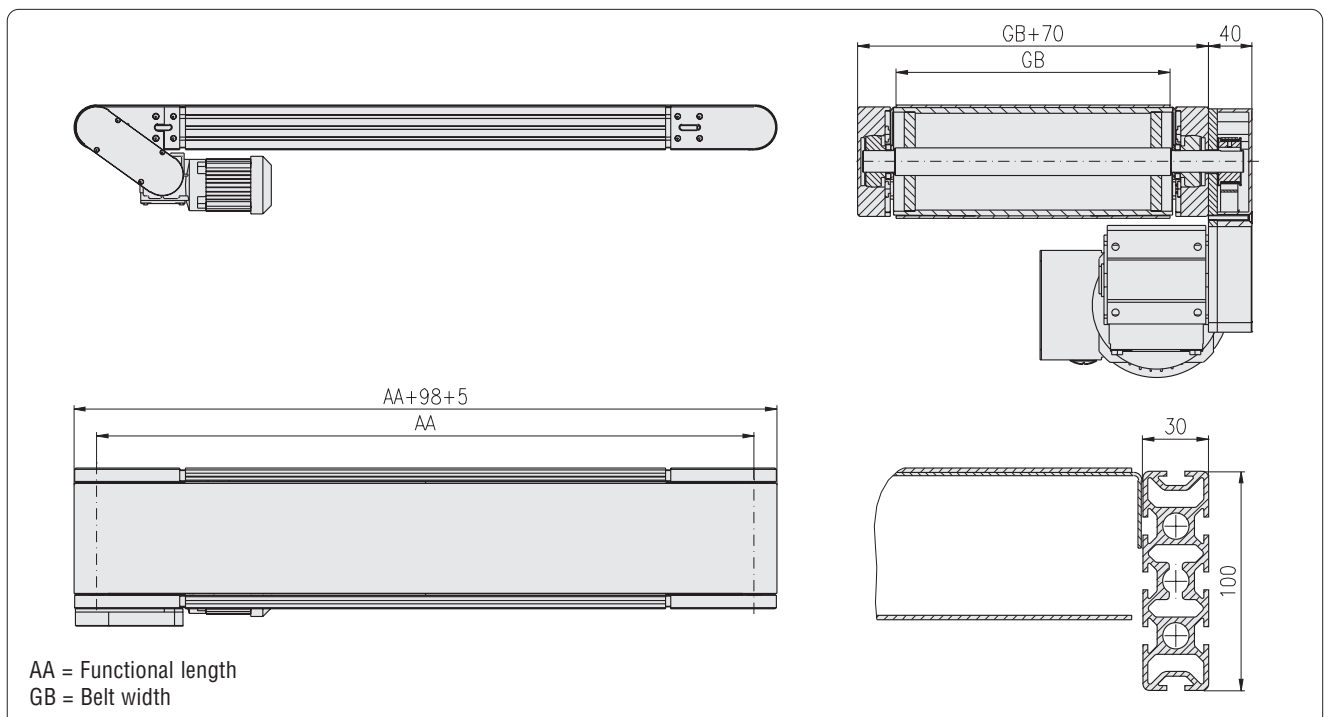
.84P.□□□□×□□□□□

(width×length in mm)

- Profile vertical

- Profile 30x100, 8F, P

Delivery unit without motor



## M-SK1 Belt conveyor

- running inside
- drive under belt

Profile 30×150

Type: 111-2221-150



Technical data	
Weight of conveyed material:	max. 110 kg/m
Width of belt:	300 - 1,300 mm
Axle distance:	500 - 12,000 mm
Belt: D = 2 mm	double-ply, PVC coated, black
Diameter of power / deflection roller:	148 mm
Speed of belt:	3 - 60 m/min (± 5%)
Motor:	as required

For self assembly, please request the technical documentation including parts lists, exploded diagrams and assembly instructions.

### Description

### Article-No.

M-SK1 Belt conveyor, running inside, drive under belt, complete 5.111.2221.15030

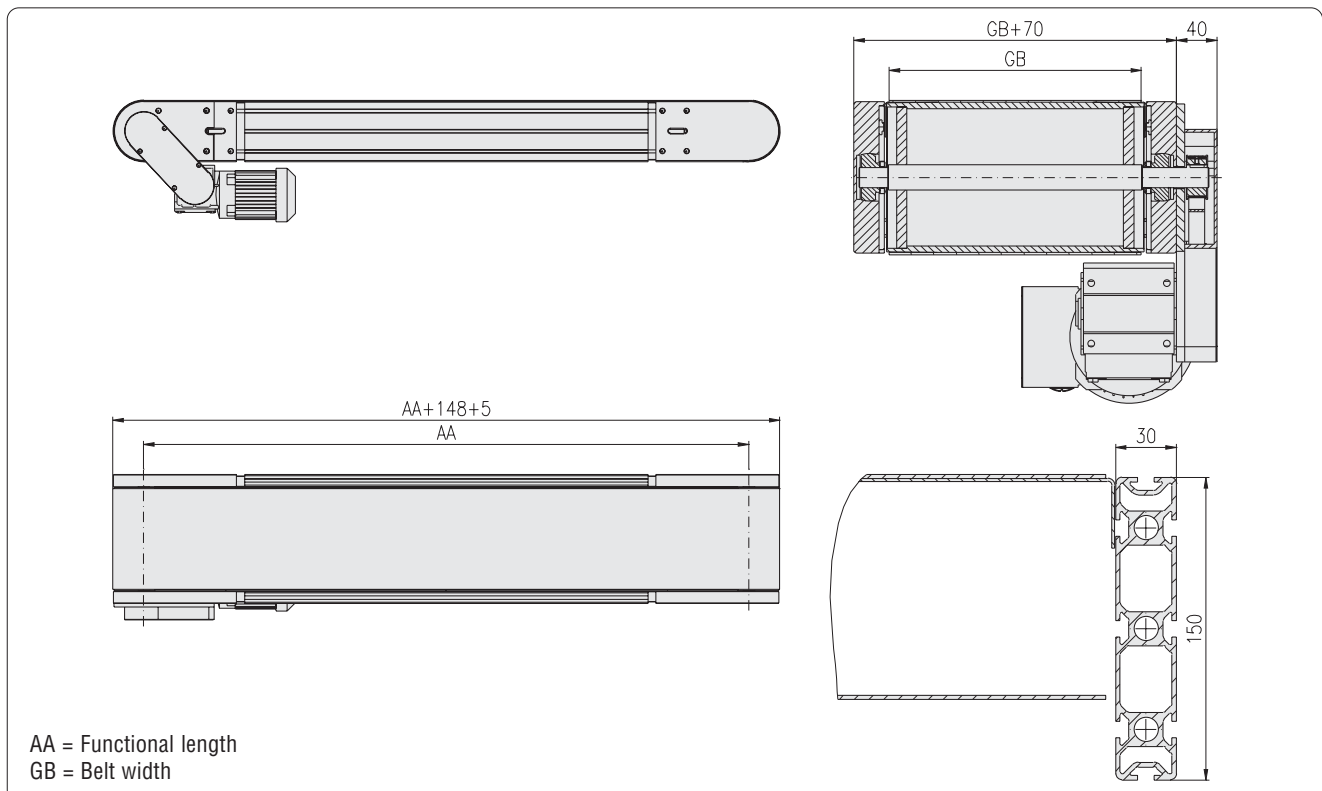
.85P.□□□□×□□□□□

(width×length in mm)

- Profile vertical

- Profile 30×150, 8F, P

Delivery unit without motor



## M-SK1 Belt conveyor

- running inside
- center drive

Profile 30x30

Type: 111-2321-30



Technical data	
Weight of conveyed material:	max. 15 kg/m
Width of belt:	100 - 300 mm
Axle distance:	300 - 3,000 mm
Belt: D = 1.2 mm	double-ply, PVC coated, black
Diameter of power roll:	28 mm
Speed of belt:	3 - 16 m/min ( $\pm 5\%$ )
Motor:	as required

For self assembly, please request the technical documentation including parts lists, exploded diagrams and assembly instructions.

### Description

### Article-No.

M-SK1 Belt conveyor, running inside, center drive, complete 5.111.2321.30030

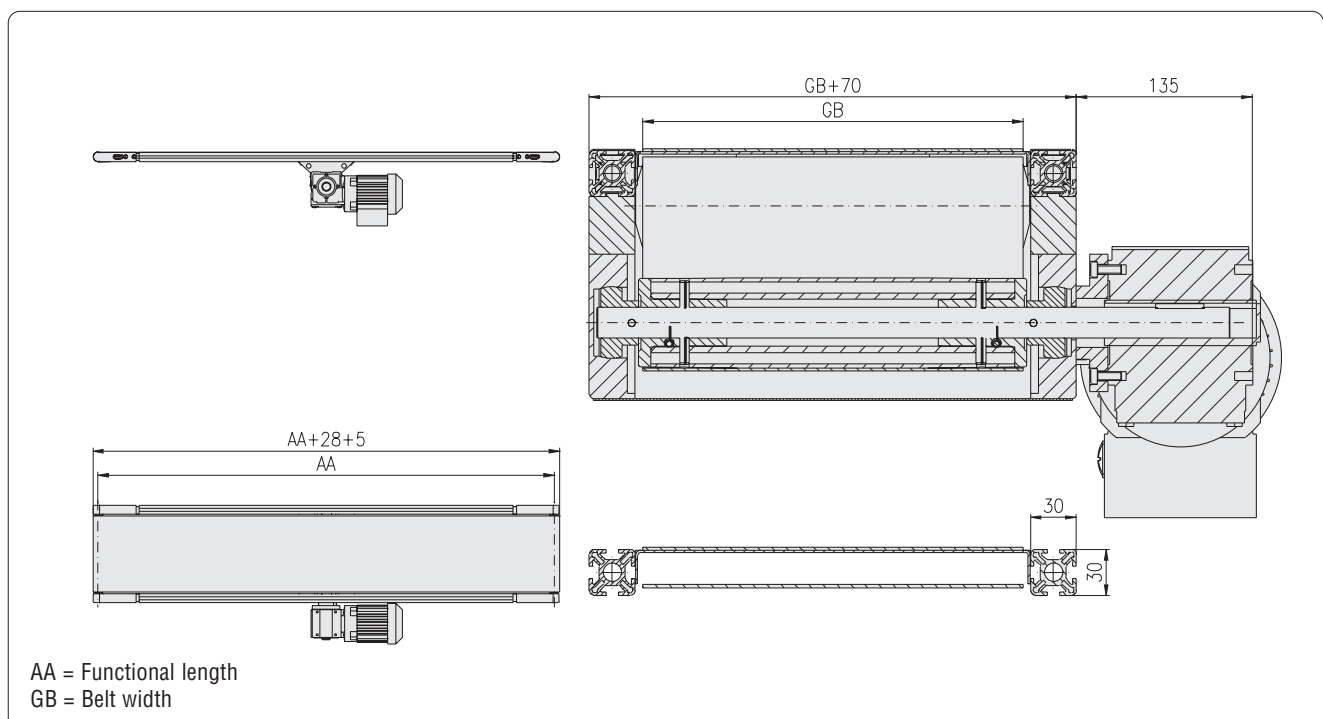
.43P.□□□□×□□□□□

(width×length in mm)

- Profile vertical

- Profile 30x30, 4F, P

Delivery unit without motor



## M-SK1 Belt conveyor

- running inside
- center drive

Profile 30x60

Type: 111-2321-60



Technical data	
Weight of conveyed material:	max. 30 kg/m
Width of belt:	100 - 600 mm
Axle distance:	300 - 6,000 mm
Belt: D = 1.2 mm	double-ply, PVC coated, black
Diameter of power roll:	61 mm
Speed of belt:	2.5 - 60 m/min ( $\pm 5\%$ )
Motor:	as required

For self assembly, please request the technical documentation including parts lists, exploded diagrams and assembly instructions.

### Description

### Article-No.

M-SK1 Belt conveyor, running inside, center drive, complete 5.111.2321.60030

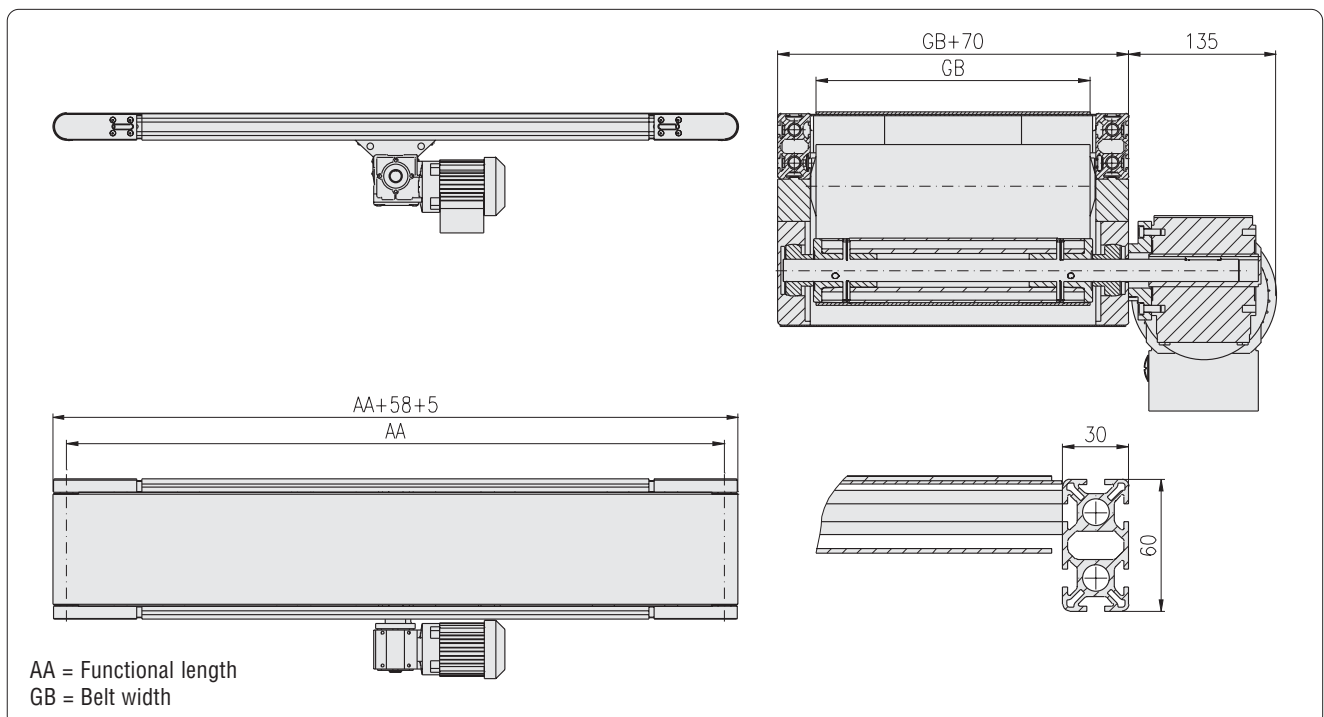
.64LP.□□□□×□□□□□

(width×length in mm)

- Profile vertical

- Profile 30x60, 6F, LP

Delivery unit without motor





## M-SK1 Belt conveyor

- running inside
- center drive

Profile 30×100

Type: 111-2321-100



Technical data	
Weight of conveyed material:	max. 70 kg/m
Width of belt:	200 - 1,000 mm
Axle distance:	500 - 12,000 mm
Belt: D = 2 mm	double-ply, PVC coated, black
Diameter of power roll:	101 mm
Speed of belt:	3.7 - 60 m/min (± 5%)
Motor:	as required

For self assembly, please request the technical documentation including parts lists, exploded diagrams and assembly instructions.

### Description

### Article-No.

M-SK1 Belt conveyor, running inside, center drive, complete 5.111.2321.10030

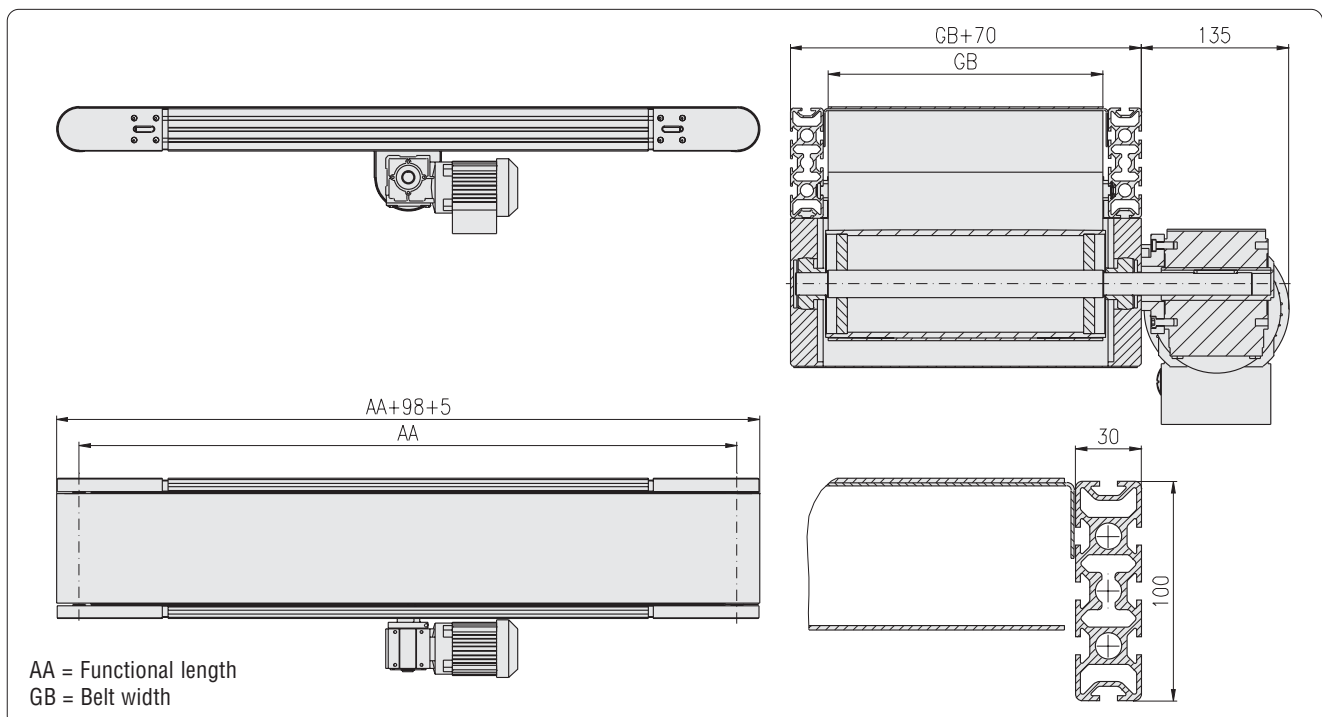
.84P.□□□□×□□□□□

(width×length in mm)

- Profile vertical

- Profile 30×100, 8F, P

Delivery unit without motor



## M-SK1 Belt conveyor

- running inside
- center drive

Profile 30×150

Type: 111-2321-150



Technical data	
Weight of conveyed material:	max. 110 kg/m
Width of belt:	300 - 1,300 mm
Axle distance:	500 - 12,000 mm
Belt: D = 2 mm	double-ply, PVC coated, black
Diameter of power roll:	148 mm
Speed of belt:	5 - 60 m/min (± 5%)
Motor:	as required

For self assembly, please request the technical documentation including parts lists, exploded diagrams and assembly instructions.

### Description

### Article-No.

M-SK1 Belt conveyor, running inside, center drive, complete 5.111.2321.15030

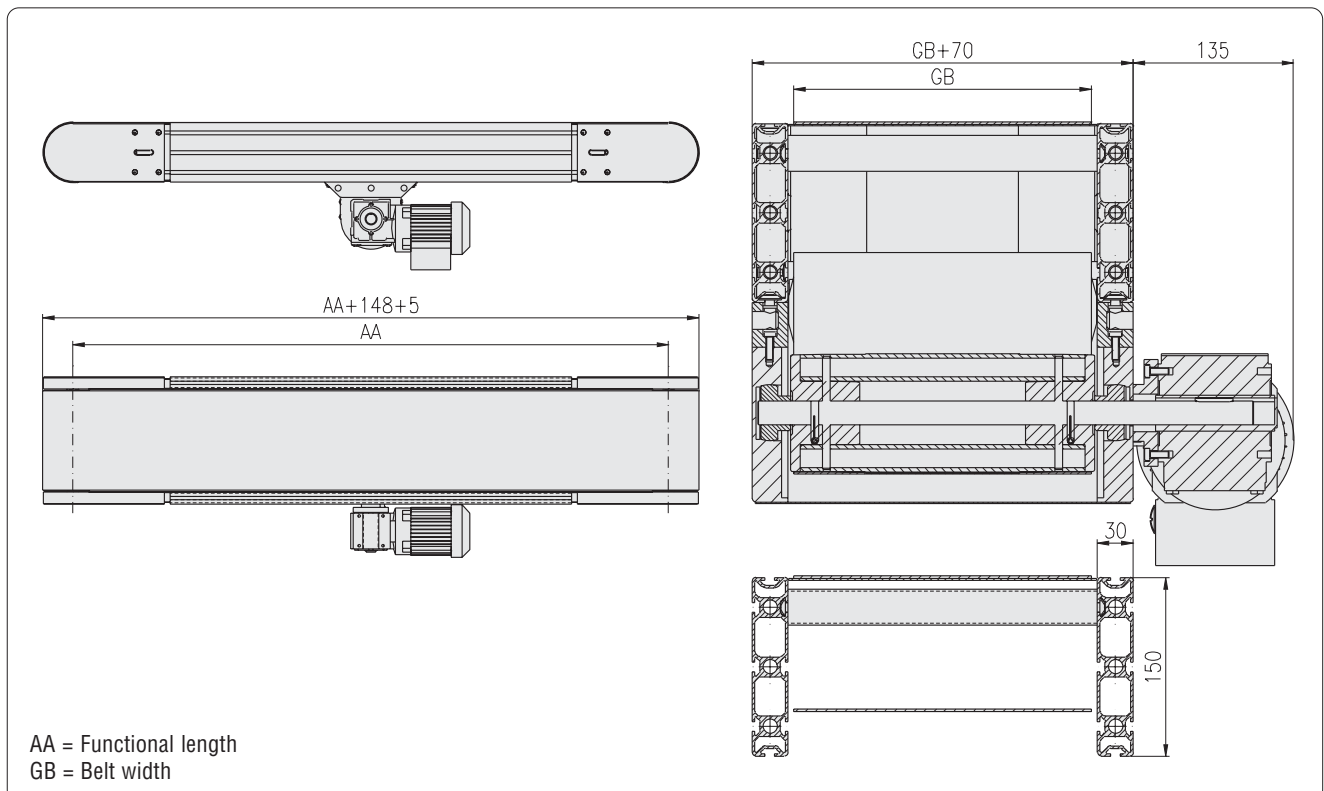
.85P.□□□□×□□□□□

(width×length in mm)

- Profile vertical

- Profile 30×150, 8F, P

Delivery unit without motor



## M-SK1 Belt conveyor

- running inside
- axial cylinder motor

Profile 30x60

Type: 111-2421-60



Technical data	
Weight of conveyed material:	max. 15 kg/m
Width of belt:	300 - 600 mm
Axle distance:	500 - 6,000 mm
Belt: D = 1.2 mm	double-ply, PVC coated, black
Diameter of power / deflection roller:	81/58 mm
Speed of belt:	6 - 60 m/min (± 5%)
Motor:	as required

For self assembly, please request the technical documentation including parts lists, exploded diagrams and assembly instructions.

### Description

### Article-No.

M-SK1 Belt conveyor, running inside, axial cylinder motor, complete 5.111.2421.60030

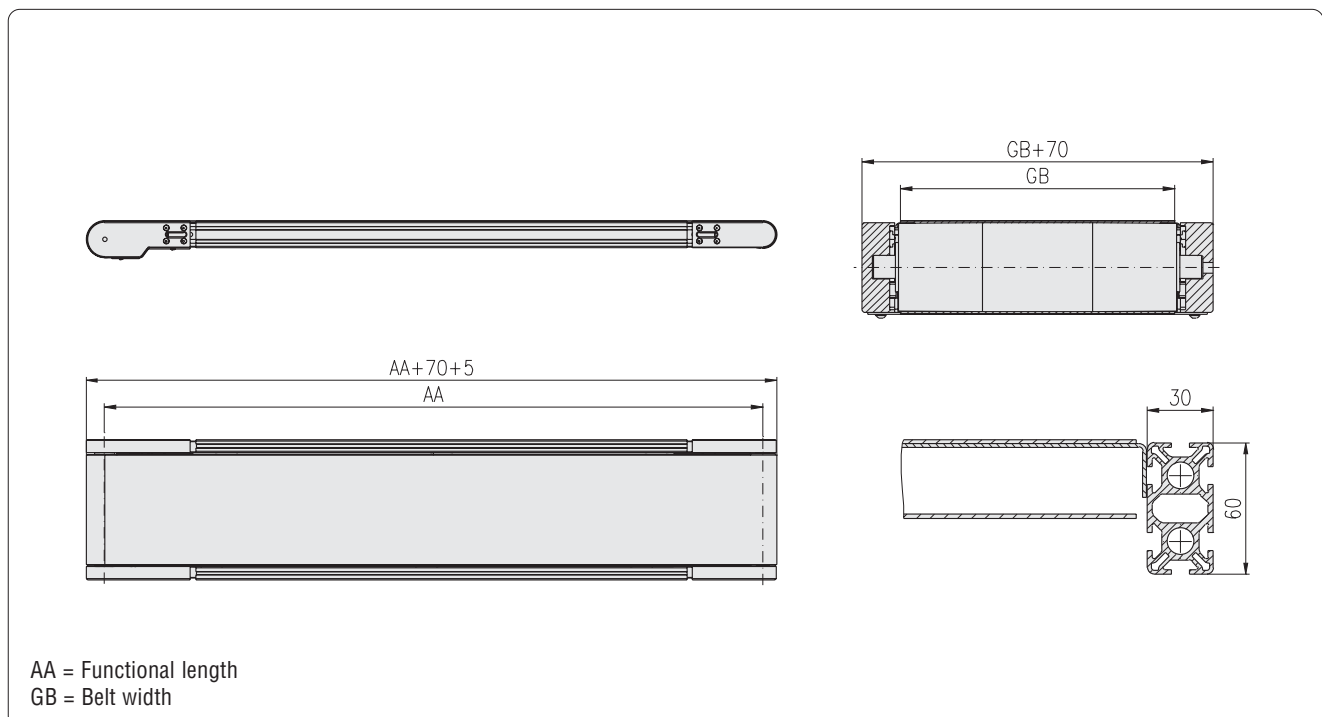
.64LP.□□□□x□□□□□

(width×length in mm)

- Profile vertical

- Profile 30x60, 6F, LP

Delivery unit without motor



## M-SK1 Belt conveyor

- running inside
- axial cylinder motor

Profile 30×100

Type: 111-2421-100



Technical data	
Weight of conveyed material:	max. 40 kg/m
Width of belt:	300 - 1,000 mm
Axle distance:	500 - 12,000 mm
Belt: D = 2 mm	double-ply, PVC coated, black
Diameter of power / deflection roller:	112/98 mm
Speed of belt:	6 - 60 m/min (± 5%)
Motor:	as required

For self assembly, please request the technical documentation including parts lists, exploded diagrams and assembly instructions.

### Description

### Article-No.

M-SK1 Belt conveyor, running inside, axial cylinder motor, complete 5.111.2421.10030

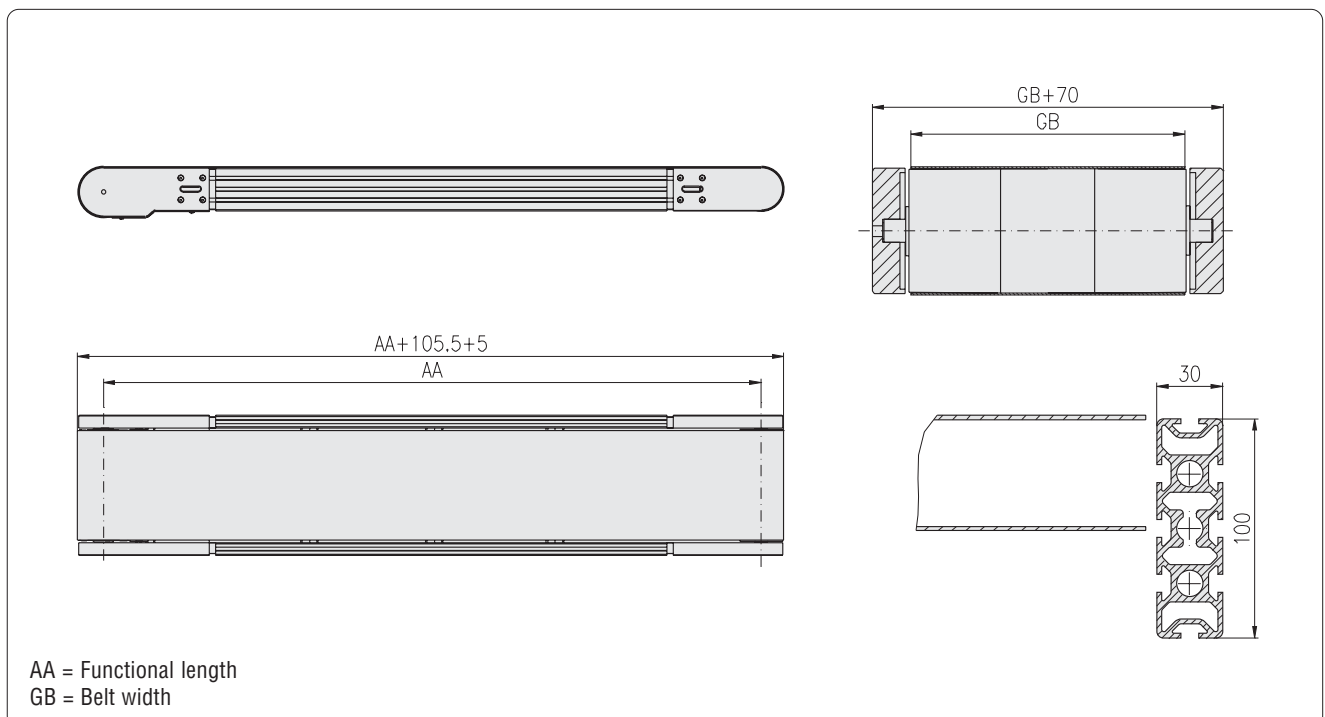
.84P.□□□□×□□□□□

(width×length in mm)

- Profile vertical

- Profile 30×100, 8F, P

Delivery unit without motor



## M-SK1 Plastic link chain conveyor

- running inside
- direct drive

Profile 30x60

Type: 121-2125-60



Technical data	
Weight of conveyed material:	max. 30 kg/m
Width of belt:	100 - 600 mm
Axle distance:	300 - 6,000 mm
Belt:	plastic link chain 3/4" polypropylene
Toothed wheels:	ZZ 10
Speed of belt:	2.5 - 35 m/min ( $\pm 5\%$ )
Motor:	as required

For self assembly, please request the technical documentation including parts lists, exploded diagrams and assembly instructions.

### Description

### Article-No.

M-SK1 Plastic link chain conveyor, running inside, direct drive, complete

5.121.2125.60030

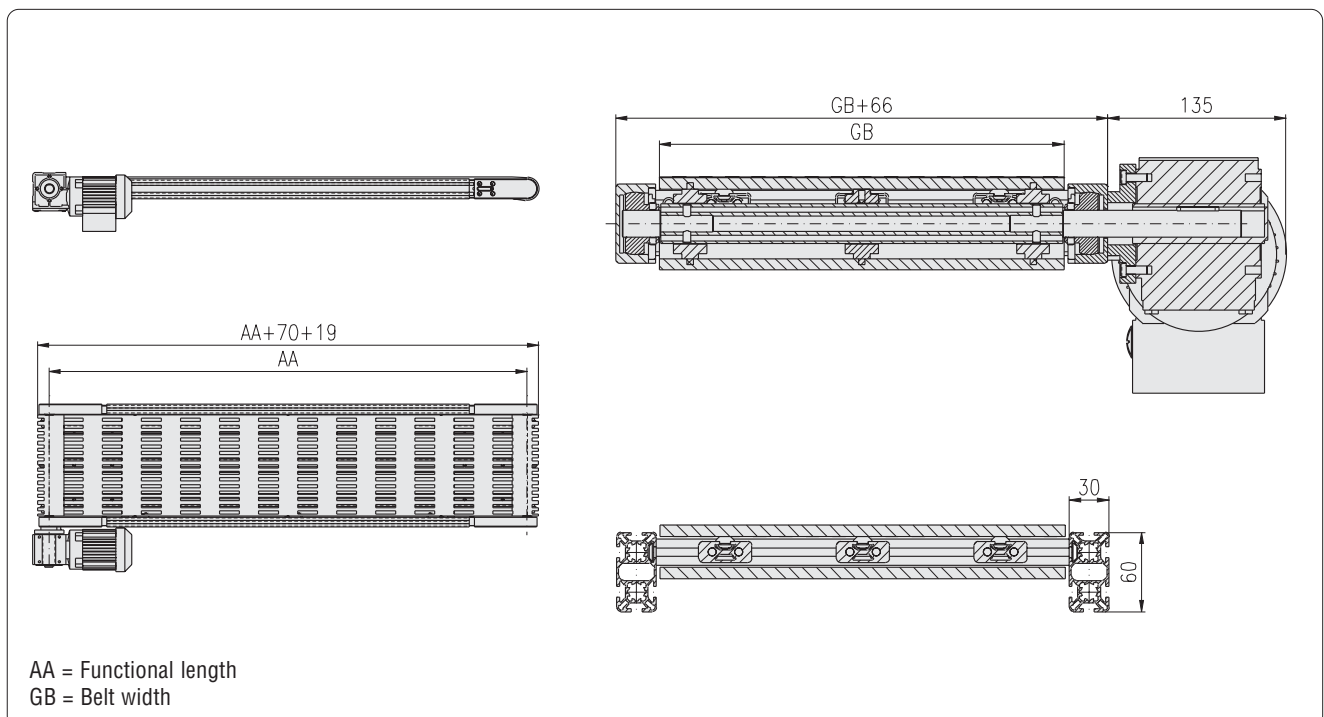
.64LP.□□□□x□□□□□

(widthxlength in mm)

- Profile vertical

- Profile 30x60, 6F, LP

Delivery unit without motor



**M-SK1 Plastic link chain conveyor**

- running inside
- direct drive

**Profile 30x100**

**Type: 121-2125-100**



Technical data	
Weight of conveyed material:	max. 80 kg/m
Width of belt:	200 - 1,000 mm
Axle distance:	500 - 12,000 mm
Belt:	plastic link chain 1" polypropylene
Toothed wheels:	ZZ 12
Speed of belt:	3.8 - 35 m/min (± 5%)
Motor:	as required

For self assembly, please request the technical documentation including parts lists, exploded diagrams and assembly instructions.

**Description**

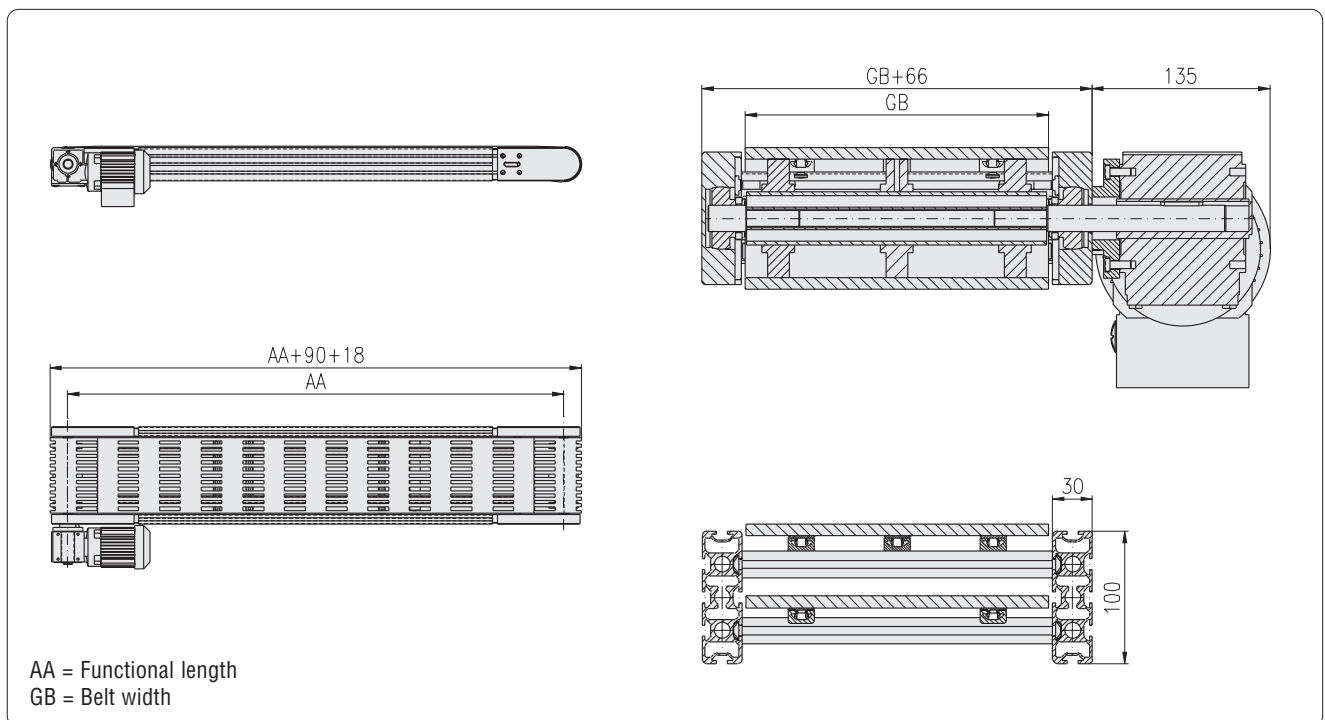
**Article-No.**

M-SK1 Plastic link chain conveyor, running inside, direct drive, complete

5.121.2125.10030  
.84P.□□□□x□□□□□  
(width×length in mm)

- Profile vertical
- Profile 30x100, 8F, P

Delivery unit without motor



## M-SK1 Plastic link chain conveyor

- running inside
- direct drive

Profile 30×150

Type: 121-2125-150



Technical data	
Weight of conveyed material:	max. 150 kg/m
Width of belt:	300 - 1,300 mm
Axle distance:	500 - 12,000 mm
Belt:	plastic link chain 1.5" polypropylene
Toothed wheels:	ZZ 12
Speed of belt:	5.6 - 35 m/min (± 5%)
Motor:	as required

For self assembly, please request the technical documentation including parts lists, exploded diagrams and assembly instructions.

### Description

M-SK1 Plastic link chain conveyor, running inside,  
direct drive, complete

### Article-No.

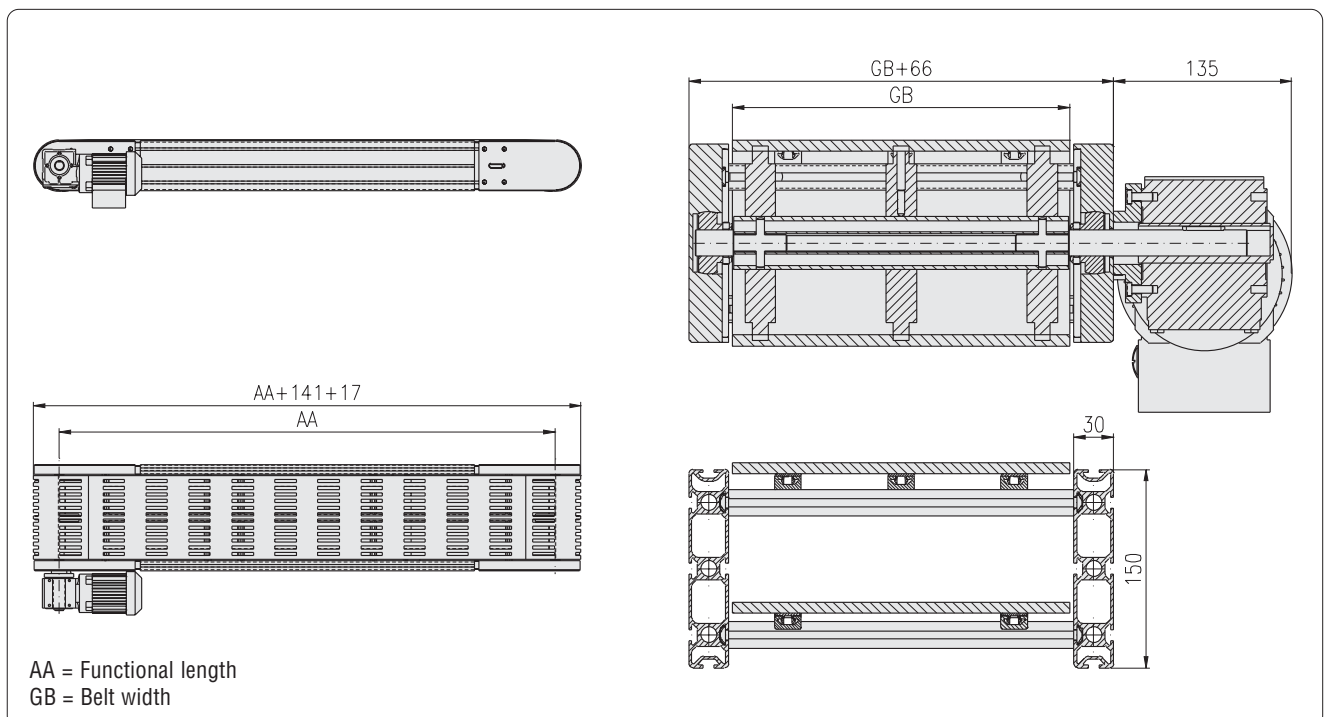
5.121.2125.15030

.85P.□□□□×□□□□□

(width×length in mm)

- Profile vertical
- Profile 30×150, 8F, P

Delivery unit without motor



**M-SK1 Plastic link chain conveyor**

- running inside
- drive under belt

**Profile 30x60**
**Type: 121-2225-60**


Technical data	
Weight of conveyed material:	max. 30 kg/m
Width of belt:	100 - 600 mm
Axle distance:	300 - 6,000 mm
Belt:	plastic link chain 3/4" polypropylene
Toothed wheels:	ZZ 10
Speed of belt:	1.5 - 35 m/min ( $\pm 5\%$ )
Motor:	as required

For self assembly, please request the technical documentation including parts lists, exploded diagrams and assembly instructions.

**Description**
**Article-No.**

M-SK1 Plastic link chain conveyor, running inside, drive under belt, complete

5.121.2225.60030

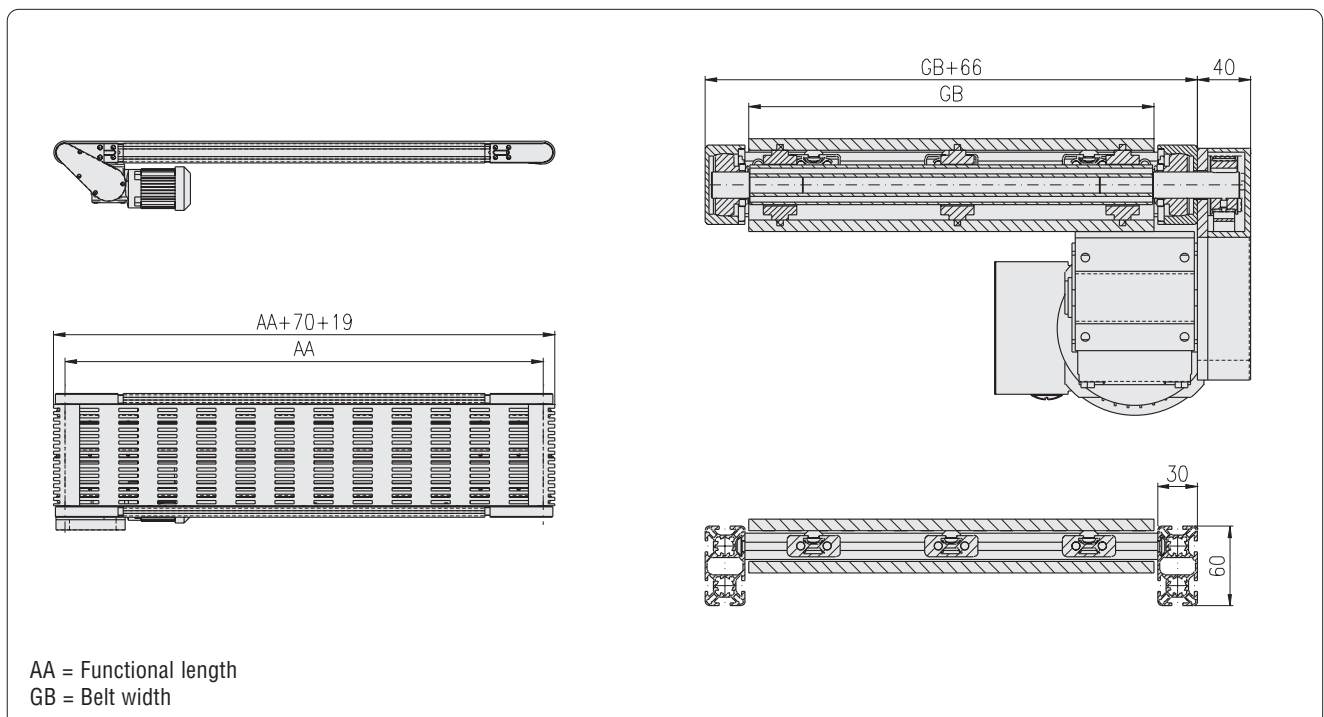
.64LP.□□□□×□□□□□

(width×length in mm)

- Profile vertical

- Profile 30x60, 6F, LP

Delivery unit without motor





## M-SK1 Plastic link chain conveyor

- running inside
- drive under belt

Profile 30x100

Type: 121-2225-100



Technical data	
Weight of conveyed material:	max. 80 kg/m
Width of belt:	200 - 1,000 mm
Axle distance:	500 - 12,000 mm
Belt:	plastic link chain 1" polypropylene
Toothed wheels:	ZZ 12
Speed of belt:	2 - 35 m/min (± 5%)
Motor:	as required

For self assembly, please request the technical documentation including parts lists, exploded diagrams and assembly instructions.

### Description

M-SK1 Plastic link chain conveyor, running inside,  
drive under belt, complete

### Article-No.

5.121.2225.10030

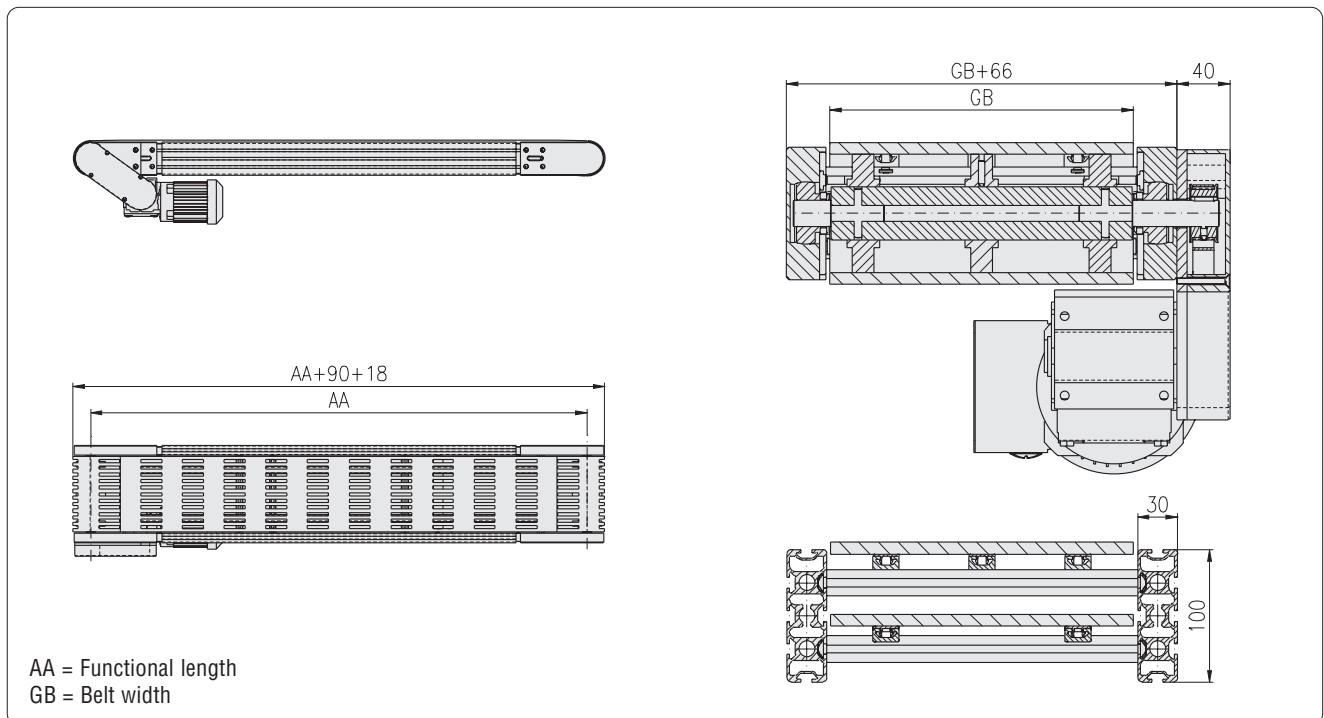
.84P.□□□□×□□□□□

(width×length in mm)

- Profile vertical

- Profile 30x100, 8F, P

Delivery unit without motor



## M-SK1 Plastic link chain conveyor

- running inside
- drive under belt

Profile 30x150

Type: 121-2225-150



Technical data	
Weight of conveyed material:	max. 150 kg/m
Width of belt:	300 - 1,300 mm
Axle distance:	500 - 12,000 mm
Belt:	plastic link chain 1.5" polypropylene
Toothed wheels:	ZZ 12
Speed of belt:	3 - 35 m/min (± 5%)
Motor:	as required

For self assembly, please request the technical documentation including parts lists, exploded diagrams and assembly instructions.

### Description

M-SK1 Plastic link chain conveyor, running inside,  
drive under belt, complete

### Article-No.

5.121.2225.15030

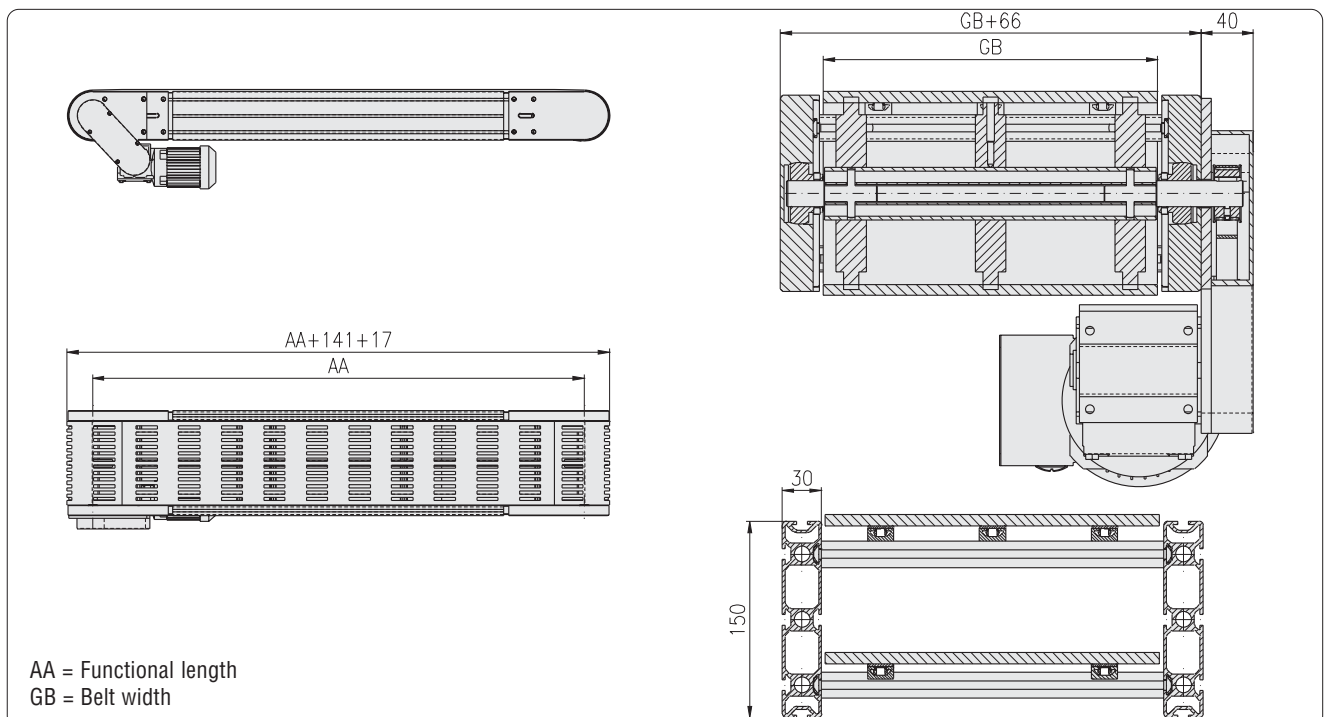
.85P.□□□□×□□□□□

(width×length in mm)

- Profile vertical

- Profile 30x150, 8F, P

Delivery unit without motor



## M-SK1 Plastic link chain conveyor

- running inside
- center drive

Profile 30x60

Type: 111-2325-60



Technical data	
Weight of conveyed material:	max. 30 kg/m
Width of belt:	100 - 600 mm
Axle distance:	300 - 6,000 mm
Belt:	plastic link chain 3/4" polypropylene
Toothed wheels:	ZZ 10
Speed of belt:	1.5 - 35 m/min ( $\pm 5\%$ )
Motor:	as required

For self assembly, please request the technical documentation including parts lists, exploded diagrams and assembly instructions.

### Description

M-SK1 Plastic link chain conveyor, running inside,  
center drive, complete

### Article-No.

5.121.2325.60030

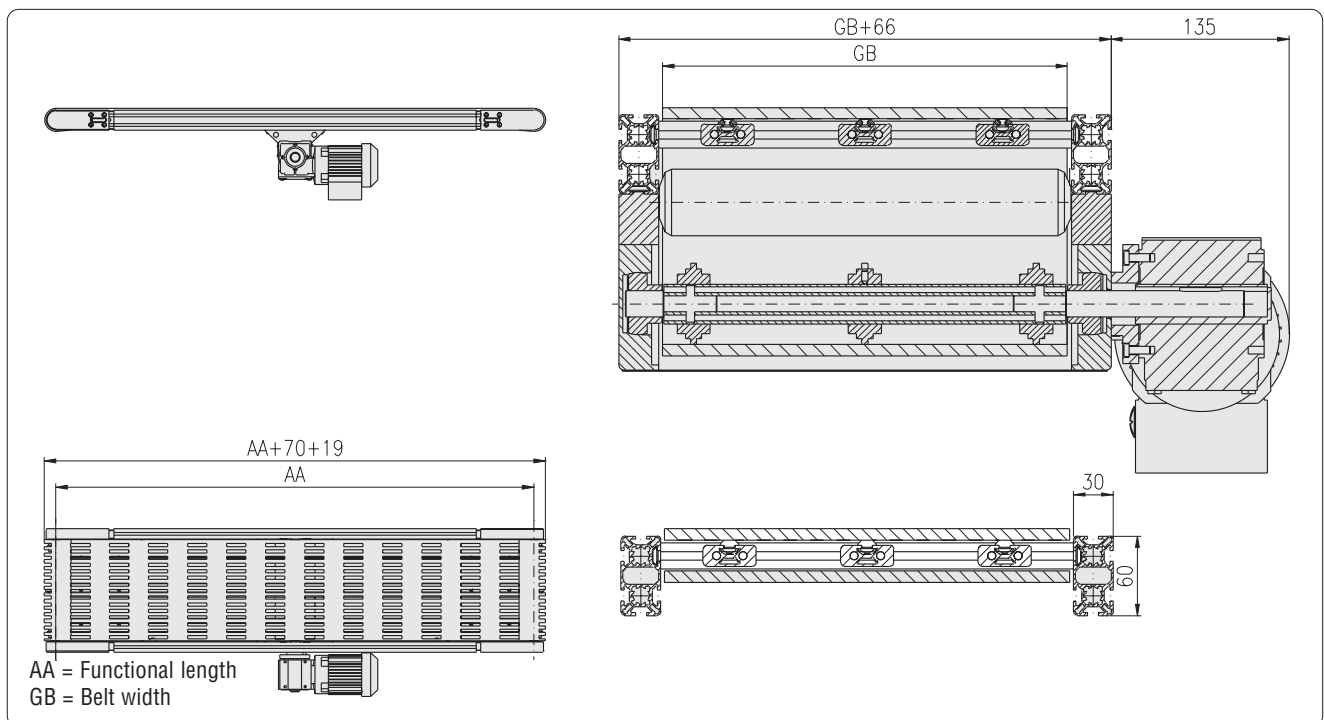
.64LP.□□□□x□□□□□

(width×length in mm)

- Profile vertical

- Profile 30x60, 6F, LP

Delivery unit without motor



## M-SK1 Plastic link chain conveyor

- running inside
- center drive

Profile 30x100

Type: 111-2325-100



Technical data	
Weight of conveyed material:	max. 80 kg/m
Width of belt:	200 - 1,000 mm
Axle distance:	500 - 12,000 mm
Belt:	plastic link chain 1" polypropylene
Toothed wheels:	ZZ 12
Speed of belt:	3.8 - 35 m/min ( $\pm 5\%$ )
Motor:	as required

For self assembly, please request the technical documentation including parts lists, exploded diagrams and assembly instructions.

### Description

M-SK1 Plastic link chain conveyor, running inside,  
center drive, complete

### Article-No.

5.121.2325.10030

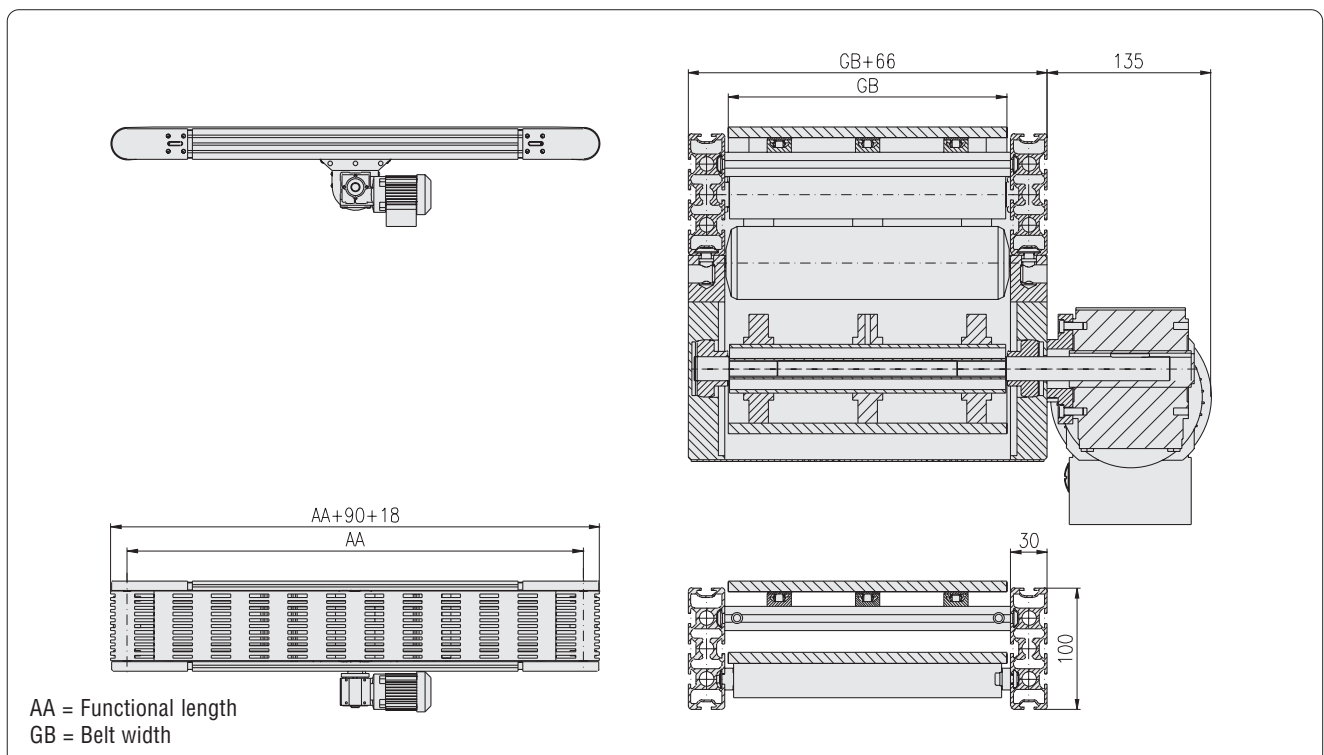
.84P.□□□□x□□□□□

(widthxlength in mm)

- Profile vertical

- Profile 30x100, 8F, P

Delivery unit without motor



**M-SK1 Plastic link chain conveyor**

- running inside
- center drive

**Profile 30x150**

**Type: 111-2325-150**



Technical data	
Weight of conveyed material:	max. 150 kg/m
Width of belt:	200 - 1,300 mm
Axle distance:	500 - 12,000 mm
Belt:	plastic link chain 1.5" polypropylene
Toothed wheels:	ZZ 10
Speed of belt:	5.6 - 35 m/min (± 5%)
Motor:	as required

For self assembly, please request the technical documentation including parts lists, exploded diagrams and assembly instructions.

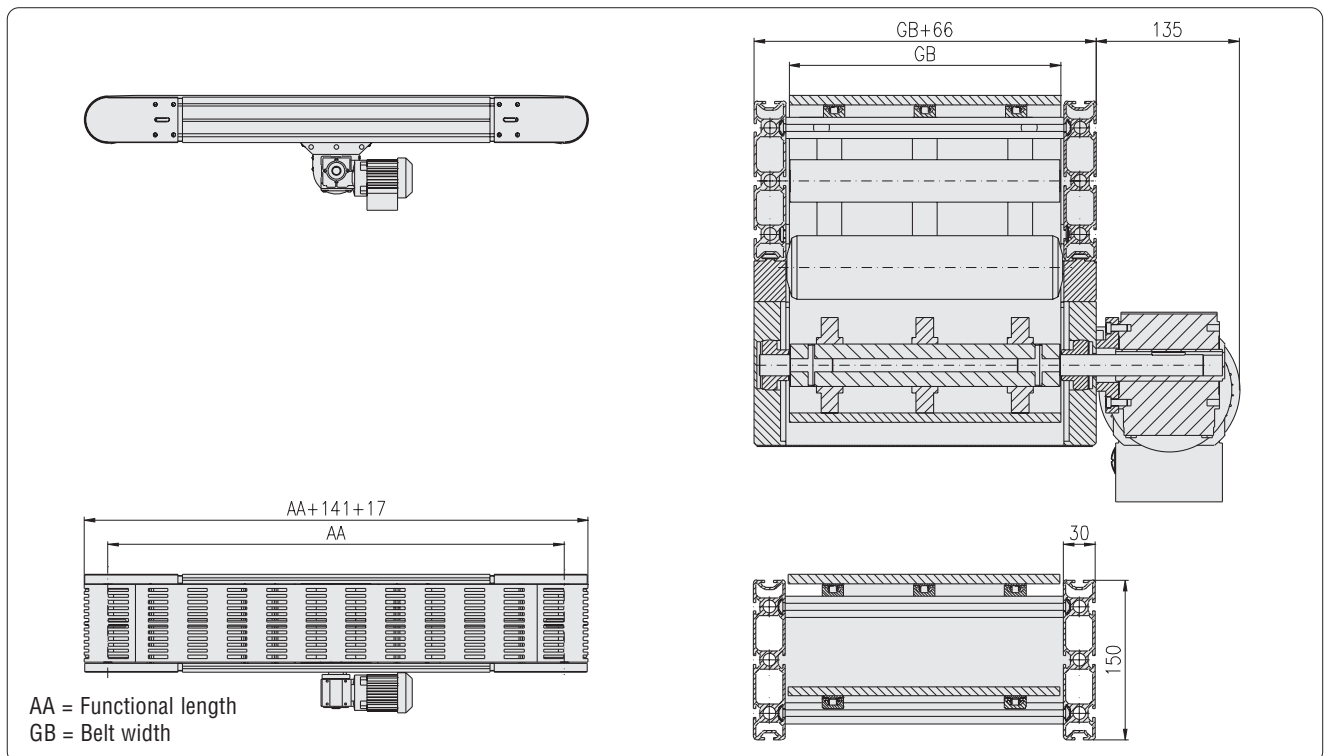
**Description**

**Article-No.**

M-SK1 Plastic link chain conveyor, running inside, center drive, complete 5.121.2325.15030  
.85P.□□□□×□□□□□  
(width×length in mm)

- Profile vertical
- Profile 30x150, 8F, P

Delivery unit without motor



## M-SK1 Plastic link chain conveyor

- running inside
- axial cylinder motor

Profile 30×100

Type: 121-2425-100



Technical data	
Weight of conveyed material:	max. 40 kg/m
Width of belt:	300 - 1,000 mm
Axle distance:	500 - 12,000 mm
Belt:	plastic link chain 1" polypropylene
Toothed wheels:	ZZ 12
Speed of belt:	6 - 35 m/min (± 5%)
Motor:	as required

For self assembly, please request the technical documentation including parts lists, exploded diagrams and assembly instructions.

### Description

### Article-No.

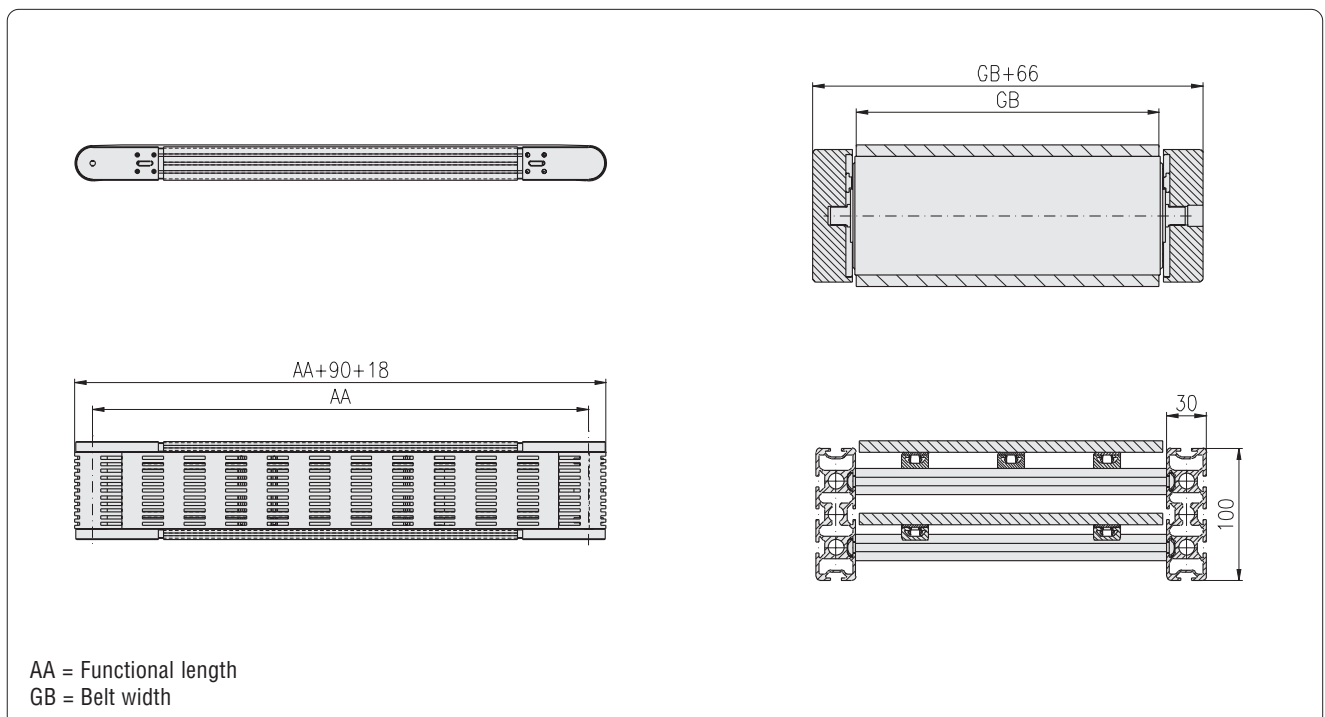
M-SK1 Plastic link chain conveyor, running inside, axial cylinder motor, complete

5.121.2425.10030  
.84P.□□□□×□□□□□

(width×length in mm)

- Profile vertical
- Profile 30×100, 8F, P

Delivery unit without motor



## M-SK1 Plastic link chain conveyor

- running inside
- axial cylinder motor

Profile 30×150

Type: 121-2425-150



Technical data	
Weight of conveyed material:	max. 40 kg/m
Width of belt:	300 - 1,000 mm
Axle distance:	500 - 12,000 mm
Belt:	plastic link chain 1.5" polypropylene
Toothed wheels:	ZZ 12
Speed of belt:	6 - 35 m/min (± 5%)
Motor:	as required

For self assembly, please request the technical documentation including parts lists, exploded diagrams and assembly instructions.

### Description

M-SK1 Plastic link chain conveyor, running inside,  
axial cylinder motor, complete

### Article-No.

5.121.2425.15030

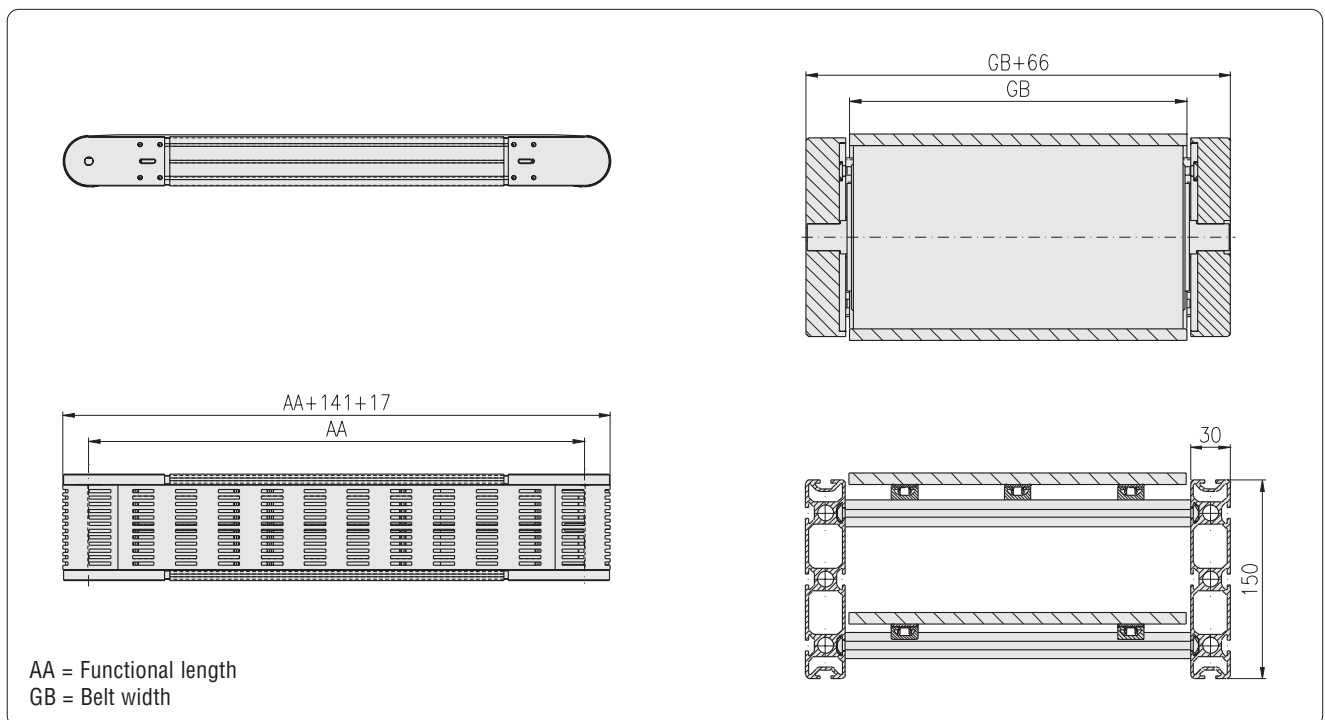
.85P.□□□□×□□□□□

(width×length in mm)

- Profile vertical

- Profile 30×150, 8F, P

Delivery unit without motor



## M-SK1 Metal link chain conveyor

- running inside
- direct drive

Profile 30×100

Type: 131-2125-100



Technical data	
Weight of conveyed material:	max. 80 kg/m
Width of belt:	200 - 1,000 mm
Axle distance:	500 - 12,000 mm
Belt:	metal link chain belt 1" steel, stainless steel
Toothed wheels:	ZZ 12
Speed of belt:	3.8 - 35 m/min (± 5%)
Motor:	as required

For self assembly, please request the technical documentation including parts lists, exploded diagrams and assembly instructions.

### Description

M-SK1 Metal link chain conveyor, running inside,  
direct drive, complete

### Article-No.

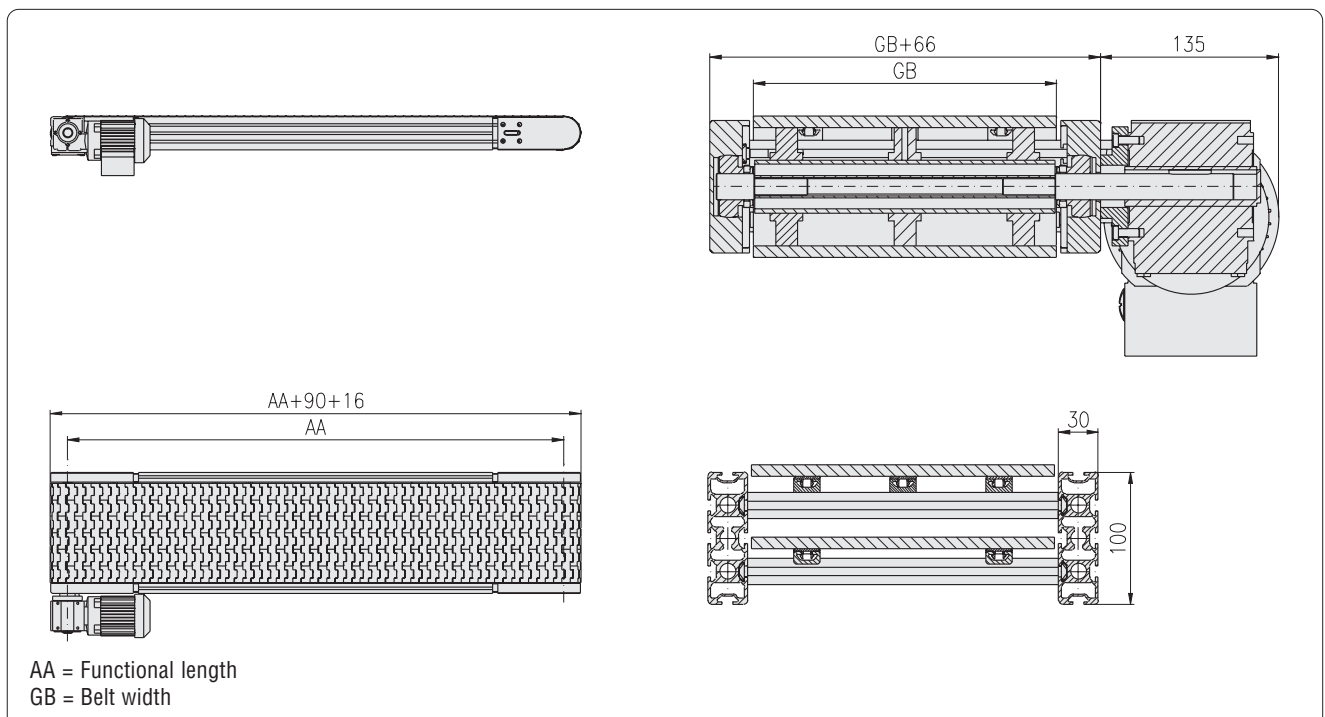
5.131.2125.10030

.84P.□□□□×□□□□□

(width×length in mm)

- Profile vertical
- Profile 30×100, 8F, P

Delivery unit without motor





## M-SK1 Metal link chain conveyor

- running inside
- direct drive

Profile 30×150

Type: 131-2125-150



Technical data	
Weight of conveyed material:	max. 150 kg/m
Width of belt:	300 - 1,300 mm
Axle distance:	500 - 12,000 mm
Belt:	metal link chain belt 1.5" steel, stainless steel
Toothed wheels:	ZZ 12
Speed of belt:	5.6 - 35 m/min (± 5%)
Motor:	as required

For self assembly, please request the technical documentation including parts lists, exploded diagrams and assembly instructions.

### Description

M-SK1 Metal link chain conveyor, running inside,  
direct drive, complete

### Article-No.

5.131.2125.15030

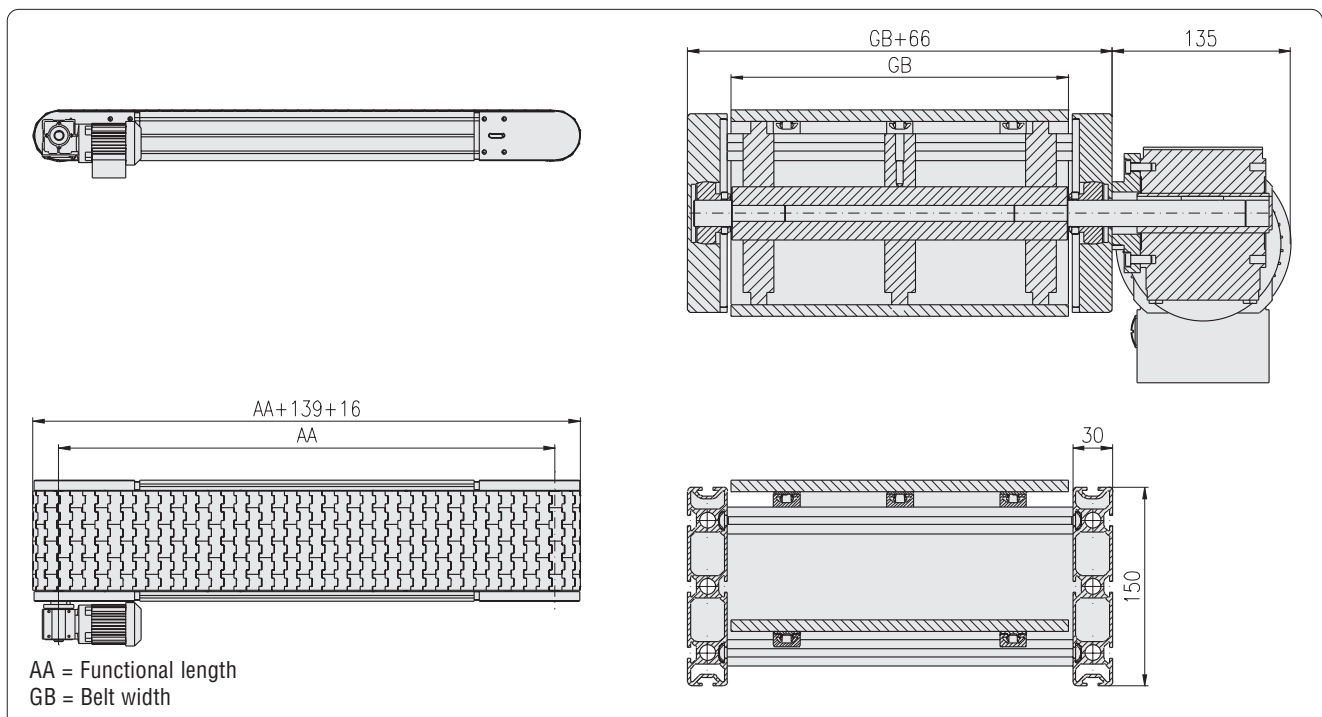
.85P.□□□□×□□□□□

(width×length in mm)

- Profile vertical

- Profile 30×150, 8F, P

Delivery unit without motor



## M-SK1 Metal link chain conveyor

- running inside
- drive under belt

Profile 30×100

Type: 131-2225-100



Technical data	
Weight of conveyed material:	max. 80 kg/m
Width of belt:	200 - 1,000 mm
Axle distance:	500 - 12,000 mm
Belt:	metal link chain belt 1" steel, stainless steel
Toothed wheels:	ZZ 12
Speed of belt:	2 - 35 m/min (± 5%)
Motor:	as required

For self assembly, please request the technical documentation including parts lists, exploded diagrams and assembly instructions.

### Description

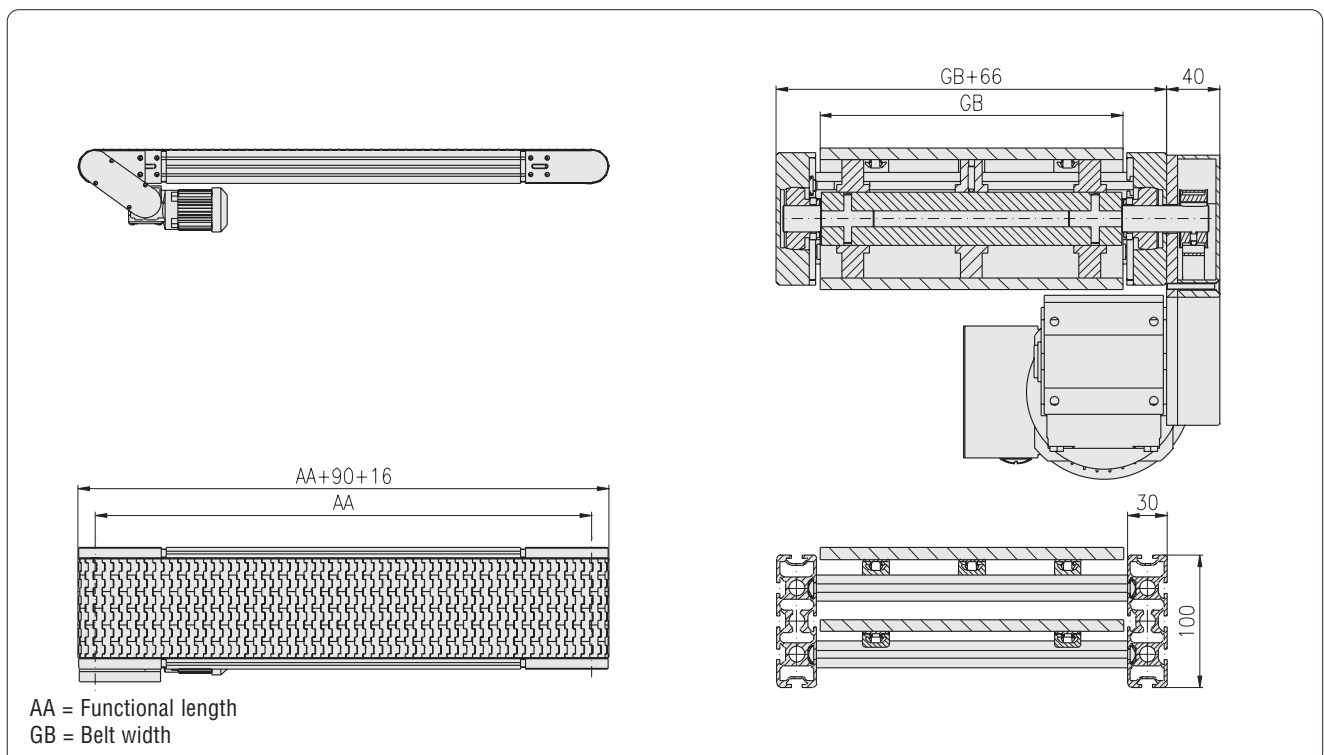
### Article-No.

M-SK1 Metal link chain conveyor, running inside, drive under belt, complete

5.131.2225.10030  
.84P.□□□□×□□□□□  
(width×length in mm)

- Profile vertical
- Profile 30×100, 8F, P

Delivery unit without motor



**M-SK1 Metal link chain conveyor**

- running inside
- drive under belt

**Profile 30×150**
**Type: 131-2225-150**


Technical data	
Weight of conveyed material:	max. 150 kg/m
Width of belt:	300 - 1,300 mm
Axle distance:	500 - 12,000 mm
Belt:	metal link chain belt 1.5" steel, stainless steel
Toothed wheels:	ZZ 12
Speed of belt:	3 - 35 m/min (± 5%)
Motor:	as required

For self assembly, please request the technical documentation including parts lists, exploded diagrams and assembly instructions.

**Description**
**Article-No.**

M-SK1 Metal link chain conveyor, running inside,  
drive under belt, complete

5.131.2225.15030

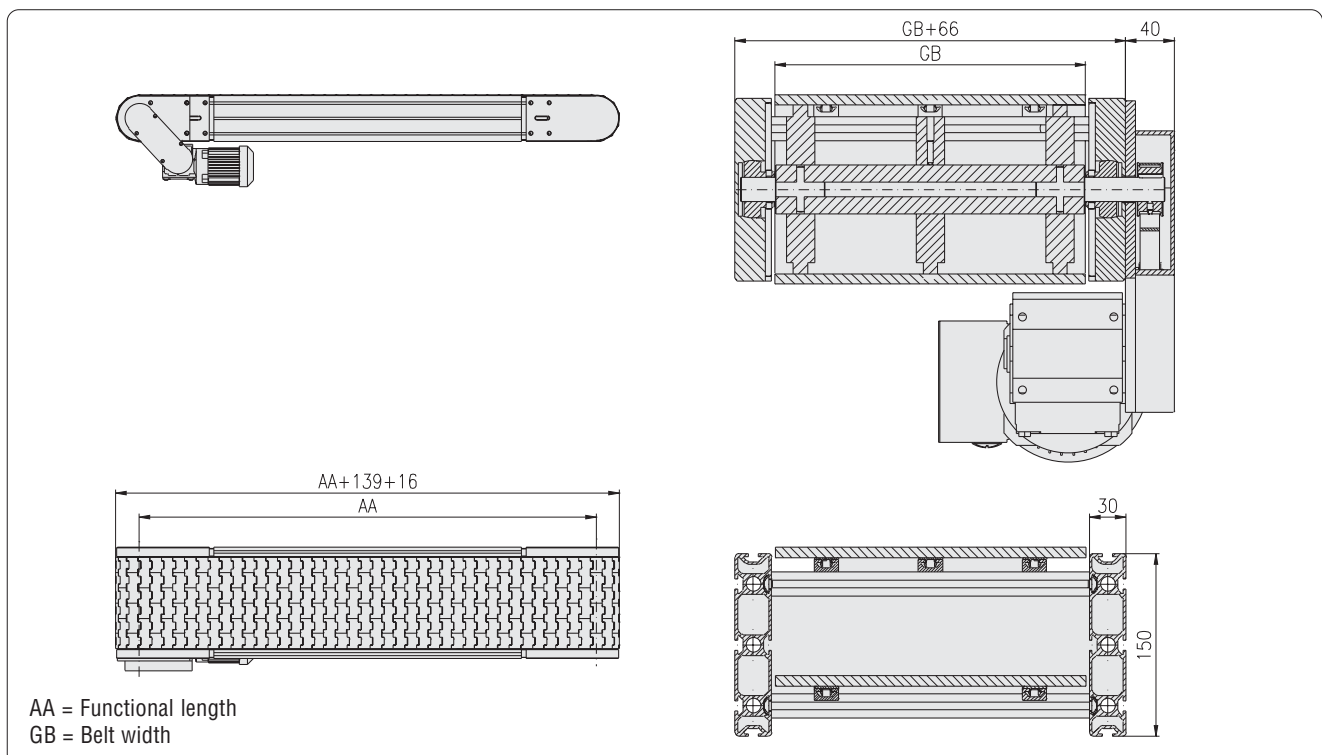
.85P.□□□□×□□□□□

(width×length in mm)

- Profile vertical

- Profile 30×150, 8F, P

Delivery unit without motor



## M-SK1 Metal link chain conveyor

- running inside
- center drive

Profile 30×100

Type: 131-2325-100



Technical data	
Weight of conveyed material:	max. 80 kg/m
Width of belt:	200 - 1,000 mm
Axle distance:	500 - 12,000 mm
Belt:	metal link chain belt 1" steel, stainless steel
Toothed wheels:	ZZ 12
Speed of belt:	3.8 - 35 m/min (± 5%)
Motor:	as required

For self assembly, please request the technical documentation including parts lists, exploded diagrams and assembly instructions.

### Description

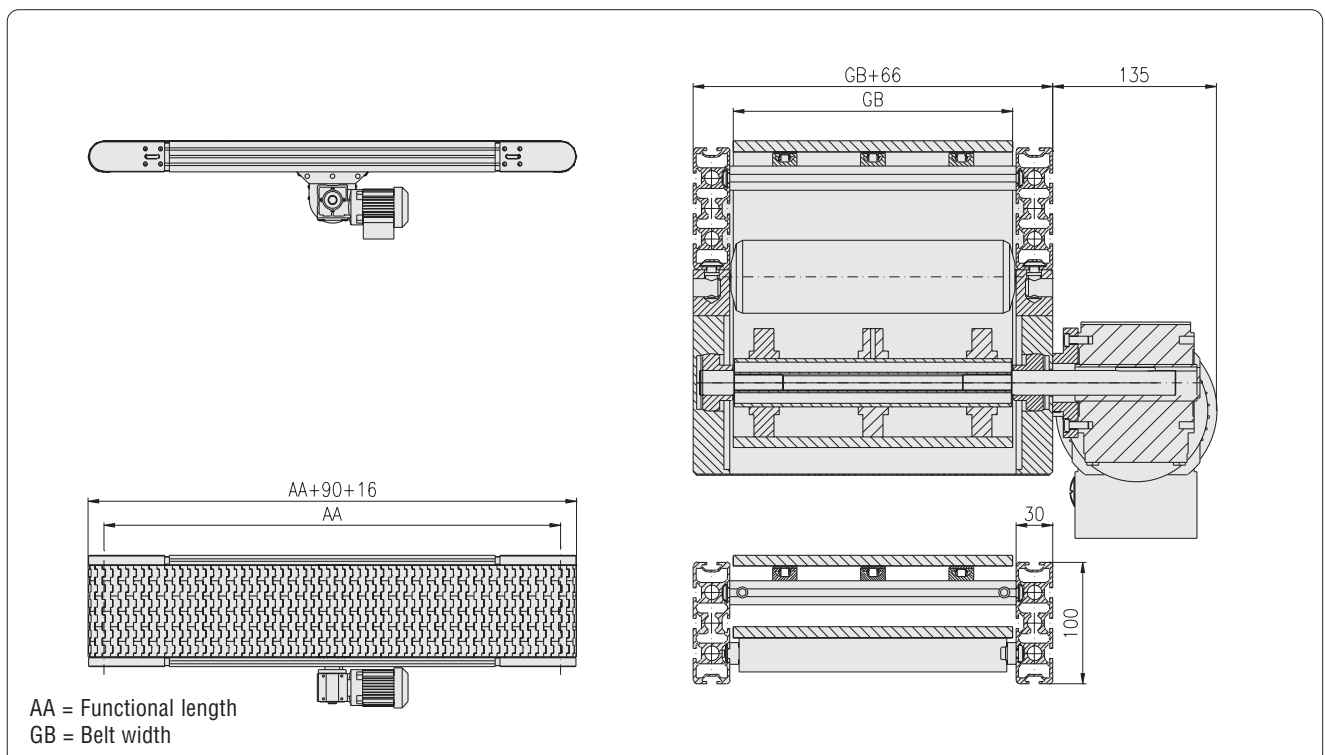
### Article-No.

M-SK1 Metal link chain conveyor, running inside, center drive, complete

5.131.2325.10030  
 .84P.□□□□×□□□□□  
 (width×length in mm)

- Profile vertical
- Profile 30×100, 8F, P

Delivery unit without motor



## M-SK1 Metal link chain conveyor

- running inside
- center drive

Profile 30×150

Type: 131-2325-150



Technical data	
Weight of conveyed material:	max. 150 kg/m
Width of belt:	300 - 1,300 mm
Axle distance:	500 - 12,000 mm
Belt:	metal link chain belt 1.5" steel, stainless steel
Toothed wheels:	ZZ 10
Speed of belt:	5.6 - 35 m/min (± 5%)
Motor:	as required

For self assembly, please request the technical documentation including parts lists, exploded diagrams and assembly instructions.

### Description

M-SK1 Metal link chain conveyor, running inside,  
center drive, complete

### Article-No.

5.131.2325.15030

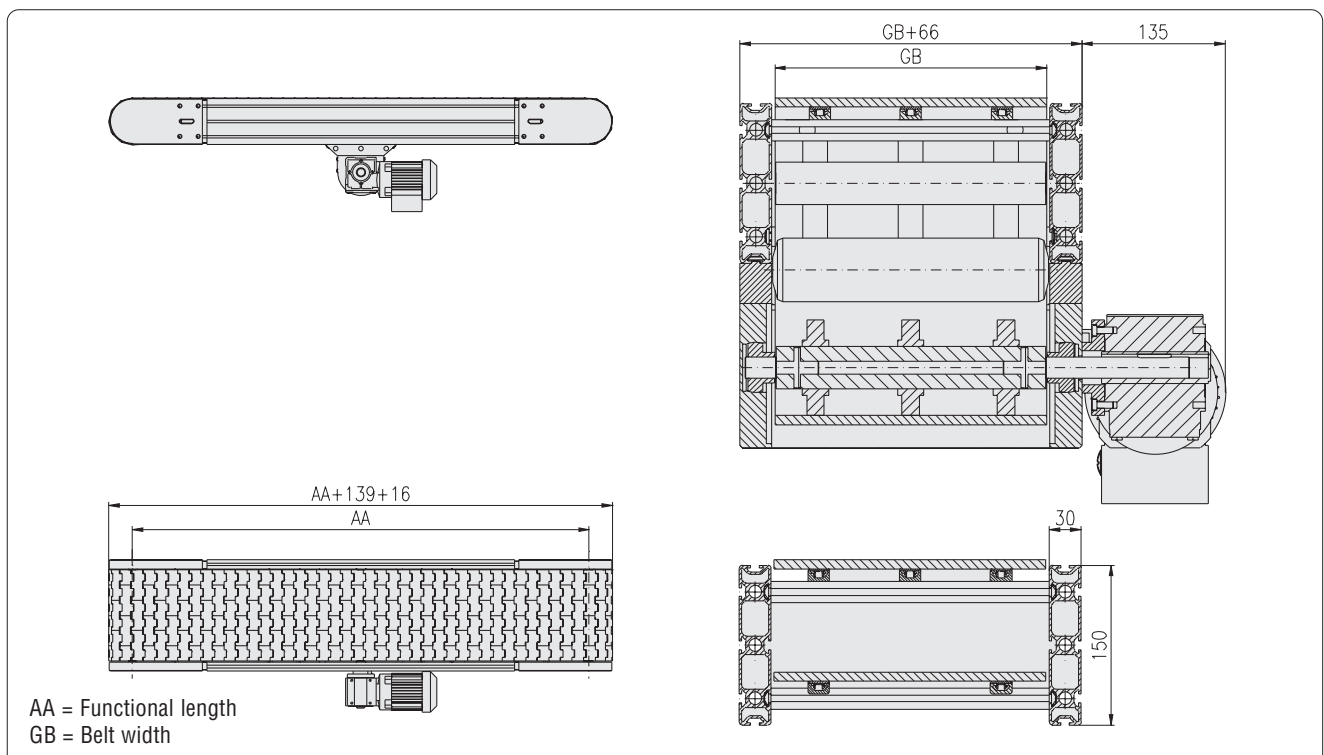
.85P.□□□□×□□□□□

(width×length in mm)

- Profile vertical

- Profile 30×150, 8F, P

Delivery unit without motor



## M-SK1 Metal link chain conveyor

- running inside
- axial cylinder motor

Profile 30×100

Type: 131-2425-100



Technical data	
Weight of conveyed material:	max. 40 kg/m
Width of belt:	300 - 1,000 mm
Axle distance:	500 - 12,000 mm
Belt:	metal link chain belt 1" steel, stainless steel
Toothed wheels:	ZZ 12
Speed of belt:	6 - 35 m/min (± 5%)
Motor:	as required

For self assembly, please request the technical documentation including parts lists, exploded diagrams and assembly instructions.

### Description

M-SK1 Metal link chain conveyor, running inside,  
axial cylinder motor, complete

### Article-No.

5.131.2425.10030

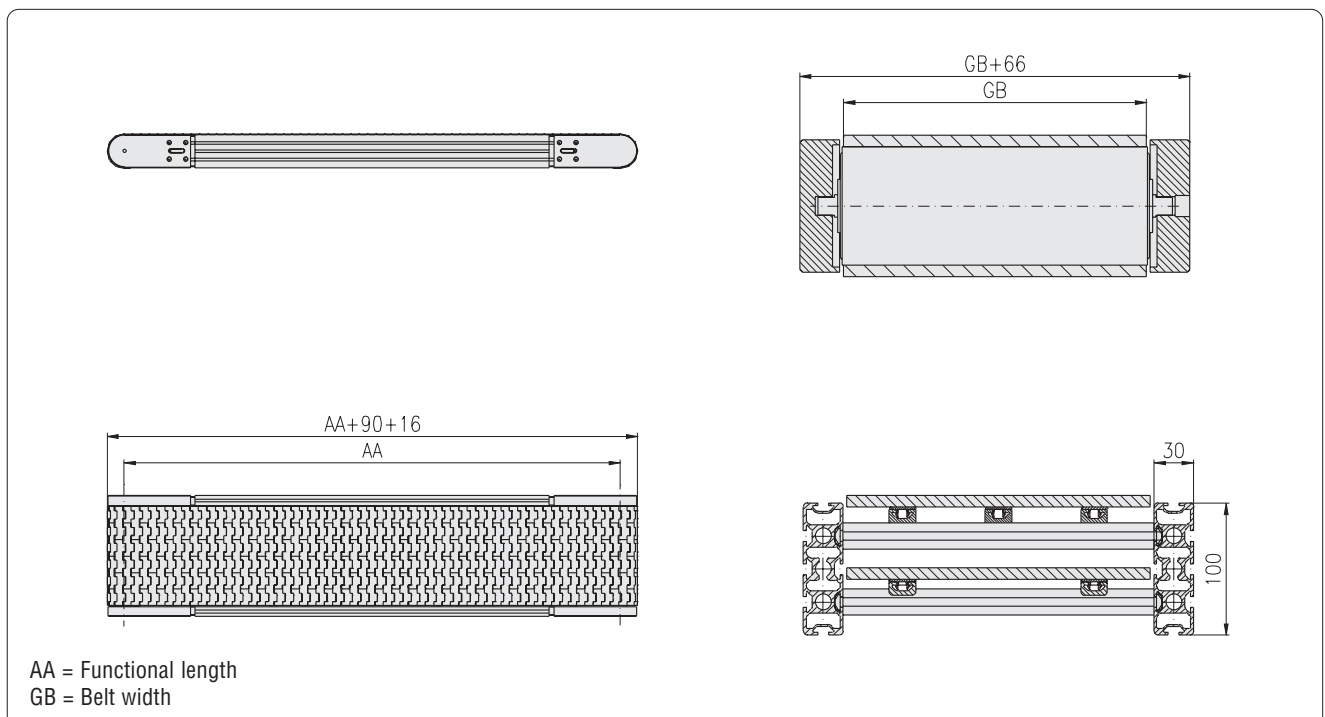
.84P.□□□□×□□□□□

(width×length in mm)

- Profile vertical

- Profile 30×100, 8F, P

Delivery unit without motor



## M-SK1 Metal link chain conveyor

- running inside
- axial cylinder motor

Profile 30×150

Type: 131-2425-150



Technical data	
Weight of conveyed material:	max. 40 kg/m
Width of belt:	300 - 1,000 mm
Axle distance:	500 - 12,000 mm
Belt:	metal link chain belt 1.5" steel, stainless steel
Toothed wheels:	ZZ 12
Speed of belt:	6 - 35 m/min (± 5%)
Motor:	as required

For self assembly, please request the technical documentation including parts lists, exploded diagrams and assembly instructions.

### Description

M-SK1 Metal link chain conveyor, running inside,  
axial cylinder motor, complete

### Article-No.

5.131.2425.15030

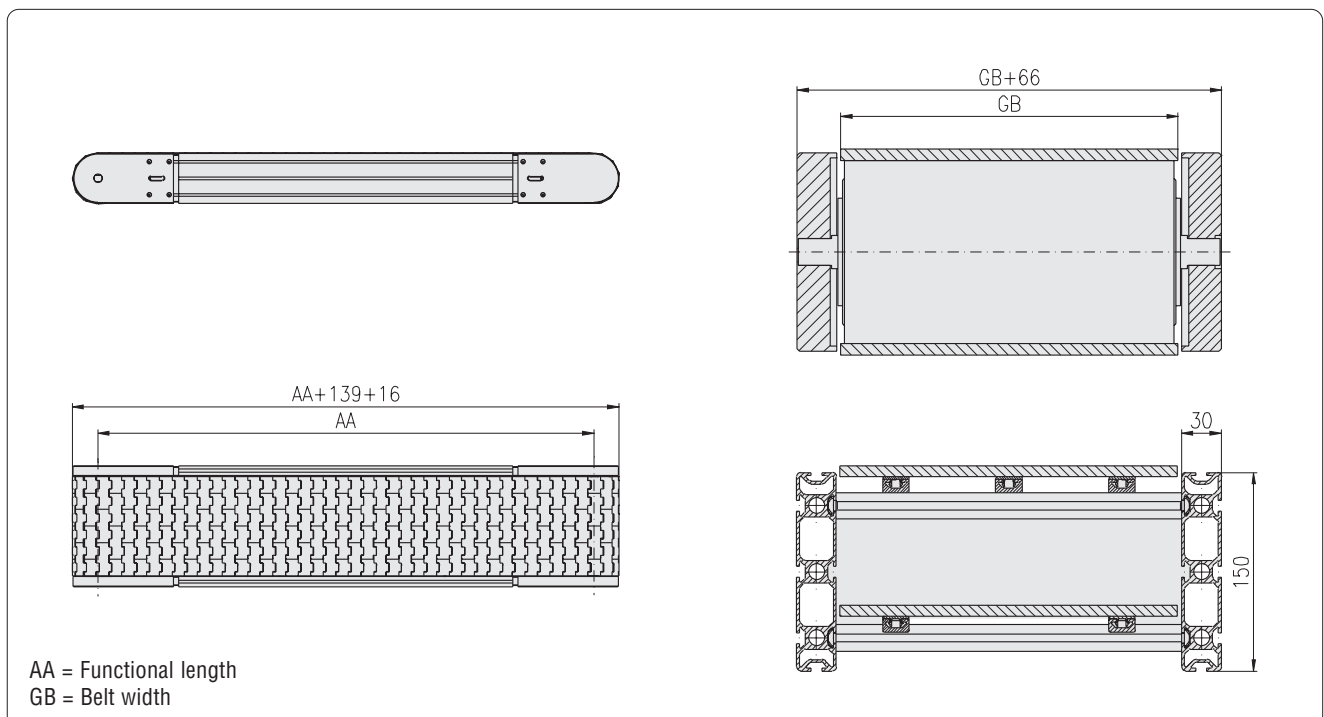
.85P.□□□□×□□□□□

(width×length in mm)

- Profile vertical

- Profile 30×150, 8F, P

Delivery unit without motor



## M-SK2 Belt conveyor

- running outside
- direct drive

Profile 30x60

Type: 211-1120-60

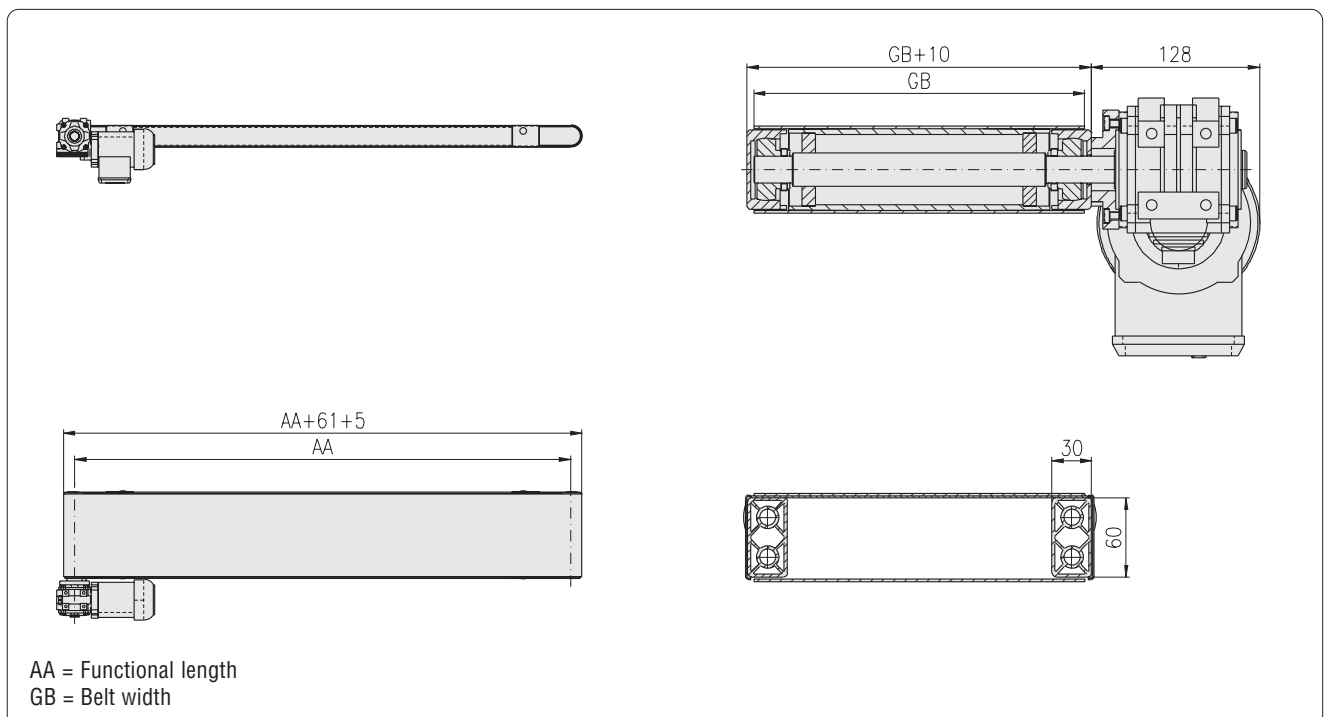


Technical data	
Weight of conveyed material:	max. 30 kg/m
Width of belt:	100 - 600 mm
Axle distance:	300 - 6,000 mm
Belt: D = 2 mm	double-ply, PVC coated, black
Diameter of power / deflection roller:	61 mm
Speed of belt:	2.5 - 60 m/min (± 5%)
Motor:	as required

For self assembly, please request the technical documentation including parts lists, exploded diagrams and assembly instructions.

Description	Article-No.
M-SK2 Belt conveyor, running outside, direct drive, complete	5.211.1120.60030
	.04P.□□□□×□□□□□
	(width×length in mm)
- Profile vertical	
- Profile 30x60, 0F, P	

Delivery unit without motor





## M-SK2 Belt conveyor

- running outside
- drive under belt

Profile 30x60

Type: 211-1220-60



Technical data	
Weight of conveyed material:	max. 30 kg/m
Width of belt:	100 - 600 mm
Axle distance:	300 - 6,000 mm
Belt: D = 2 mm	double-ply, PVC coated, black
Diameter of power / deflection roller:	61 mm
Speed of belt:	1.5 - 60 m/min (± 5%)
Motor:	as required

For self assembly, please request the technical documentation including parts lists, exploded diagrams and assembly instructions.

### Description

### Article-No.

M-SK2 Belt conveyor, running outside, drive under belt, complete 5.211.1220.60030

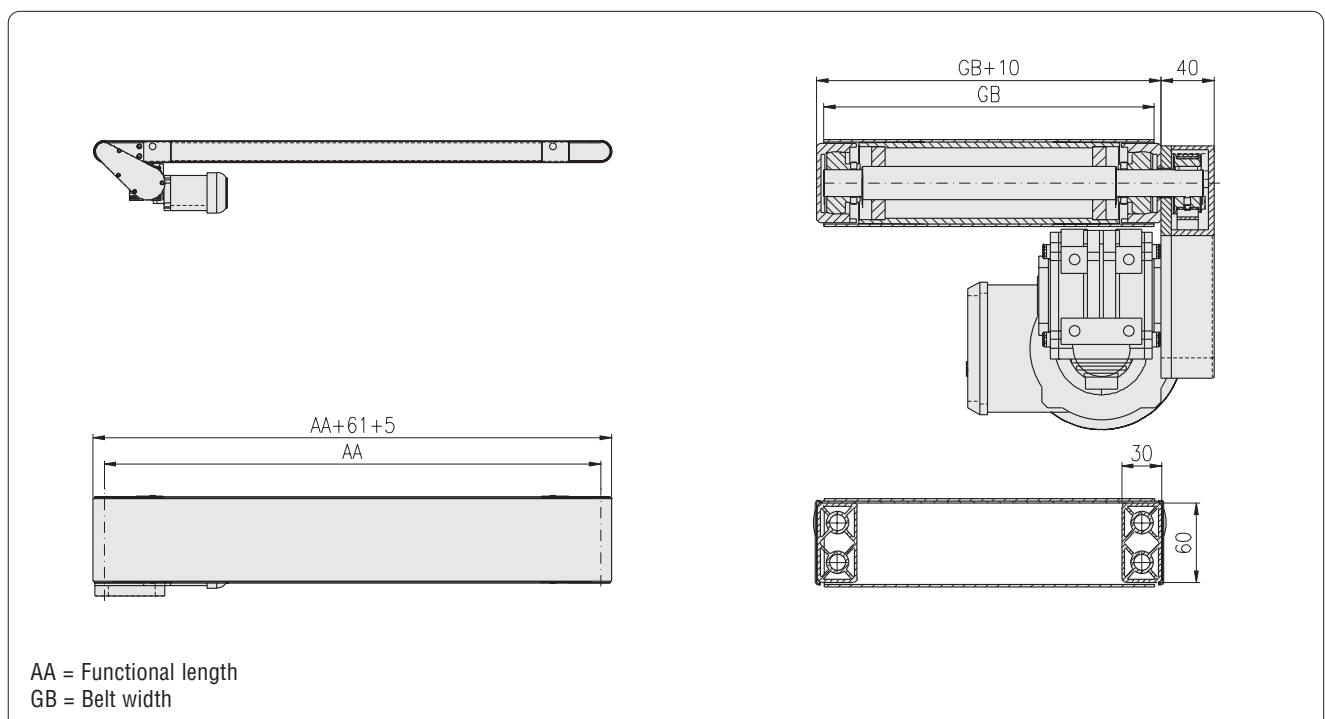
.04P.□□□□×□□□□

(width×length in mm)

- Profile vertical

- Profile 30x60, 0F, P

Delivery unit without motor

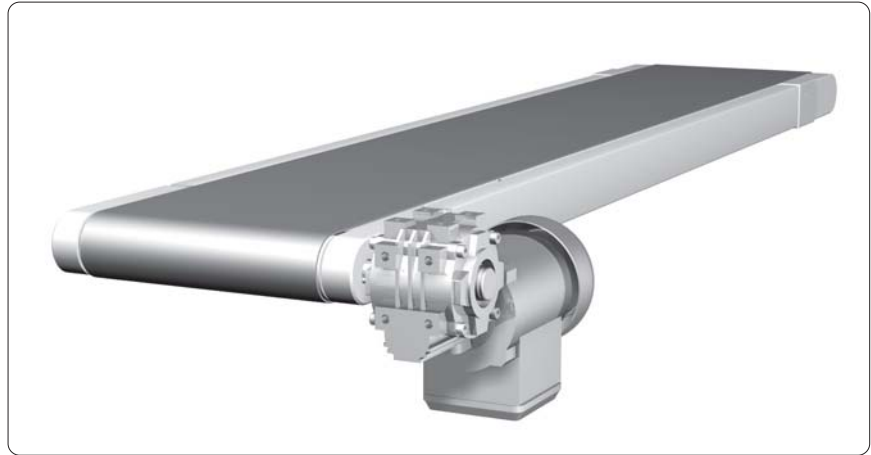


## M-SK2 Belt conveyor

- running inside
- direct drive

Profile 30x60

Type: 211-2121-60



Technical data	
Weight of conveyed material:	max. 30 kg/m
Width of belt:	100 - 600 mm
Axle distance:	300 - 6,000 mm
Belt: D = 2 mm	double-ply, PVC coated, black
Diameter of power / deflection roller:	58 mm
Speed of belt:	2.5 - 60 m/min (± 5%)
Motor:	as required

For self assembly, please request the technical documentation including parts lists, exploded diagrams and assembly instructions.

### Description

### Article-No.

M-SK2 Belt conveyor, running inside, direct drive, complete 5.211.2121.60030

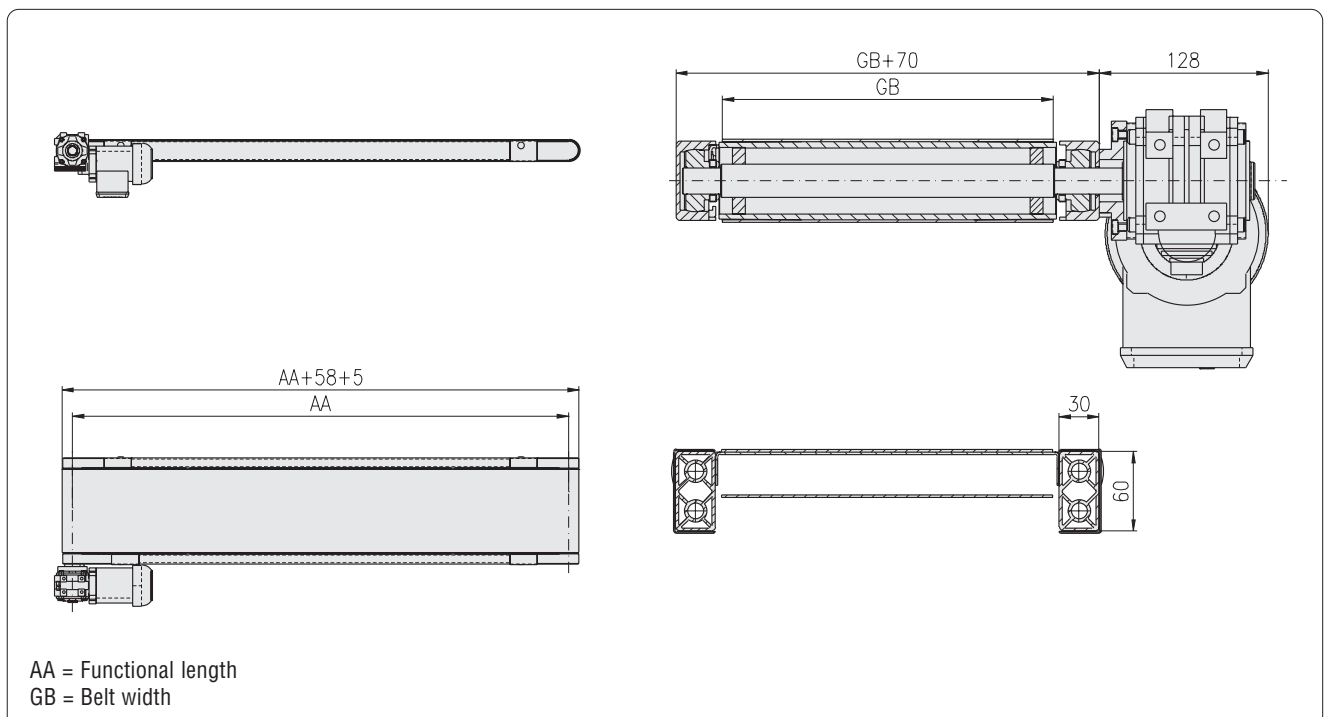
.04P.□□□□×□□□□□

(width×length in mm)

- Profile vertical

- Profile 30x60, 0F, P

Delivery unit without motor



## M-SK2 Belt conveyor

- running inside
- drive under belt

Profile 30x60

Type: 211-2221-60



Technical data	
Weight of conveyed material:	max. 30 kg/m
Width of belt:	100 - 600 mm
Axle distance:	300 - 6,000 mm
Belt: D = 2 mm	double-ply, PVC coated, black
Diameter of power / deflection roller:	58 mm
Speed of belt:	1.5 - 60 m/min (± 5%)
Motor:	as required

For self assembly, please request the technical documentation including parts lists, exploded diagrams and assembly instructions.

### Description

### Article-No.

M-SK2 Belt conveyor, running inside, drive under belt, complete 5.211.2221.60030

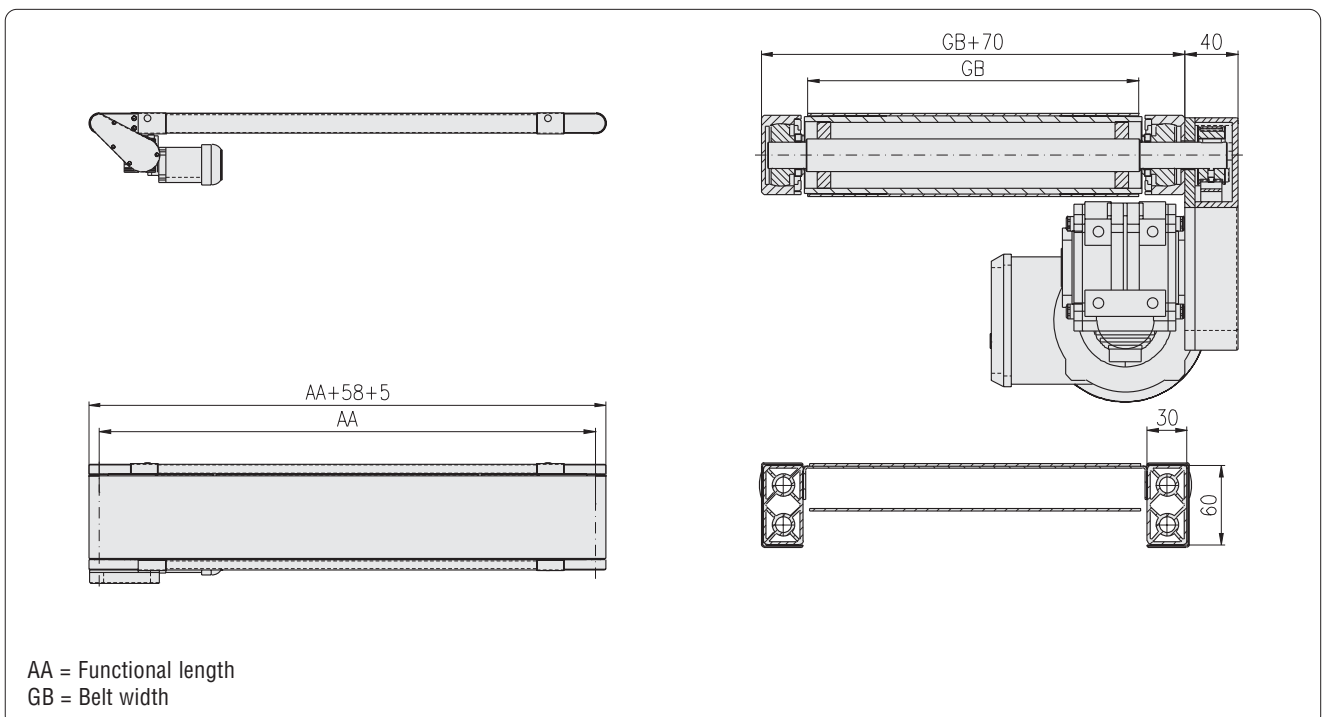
.04P.□□□□×□□□□□

(width×length in mm)

- Profile vertical

- Profile 30x60, 0F, P

Delivery unit without motor



## M-SK2 Belt conveyor

- running inside
- center drive

Profile 30x60

Type: 211-2321-60



Technical data	
Weight of conveyed material:	max. 30 kg/m
Width of belt:	100 - 600 mm
Axle distance:	300 - 6,000 mm
Belt: D = 2 mm	double-ply, PVC coated, black
Diameter of power / deflection roller:	58 mm
Speed of belt:	1.5 - 60 m/min (± 5%)
Motor:	as required

For self assembly, please request the technical documentation including parts lists, exploded diagrams and assembly instructions.

### Description

### Article-No.

M-SK2 Belt conveyor, running inside, center drive, complete 5.211.2321.60030

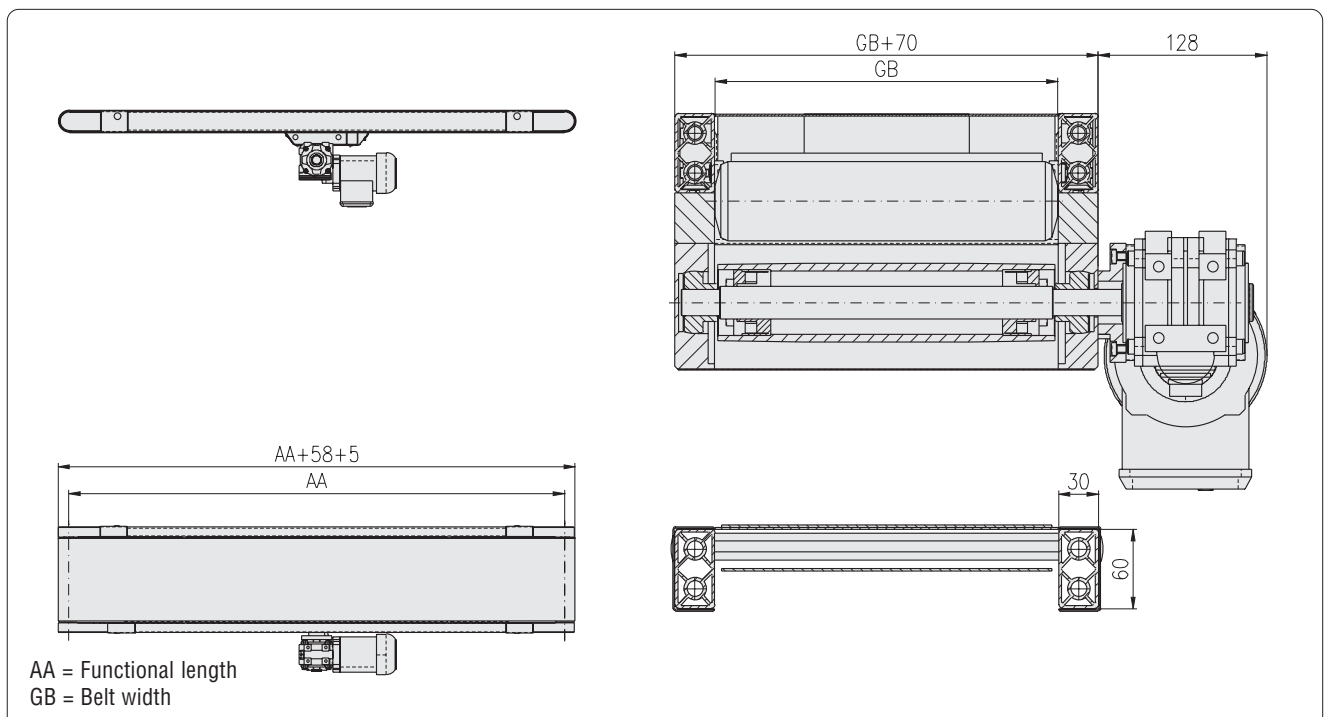
.04P.□□□□×□□□□□

(width×length in mm)

- Profile vertical

- Profile 30x60, 0F, P

Delivery unit without motor

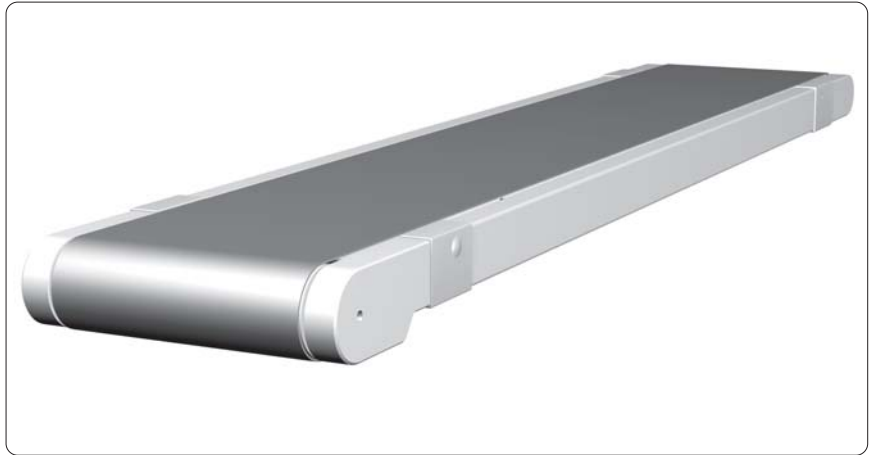


## M-SK2 Belt conveyor

- running inside
- axial cylinder motor

Profile 30x60

Type: 211-2421-60



Technical data	
Weight of conveyed material:	max. 15 kg/m
Width of belt:	100 - 600 mm
Axle distance:	300 - 6,000 mm
Belt: D = 2 mm	double-ply, PVC coated, black
Diameter of power / deflection roller:	58 mm
Speed of belt:	1.5 - 60 m/min (± 5%)
Motor:	as required

For self assembly, please request the technical documentation including parts lists, exploded diagrams and assembly instructions.

### Description

### Article-No.

M-SK2 Belt conveyor, running inside, axial cylinder motor, complete 5.211.2421.60030

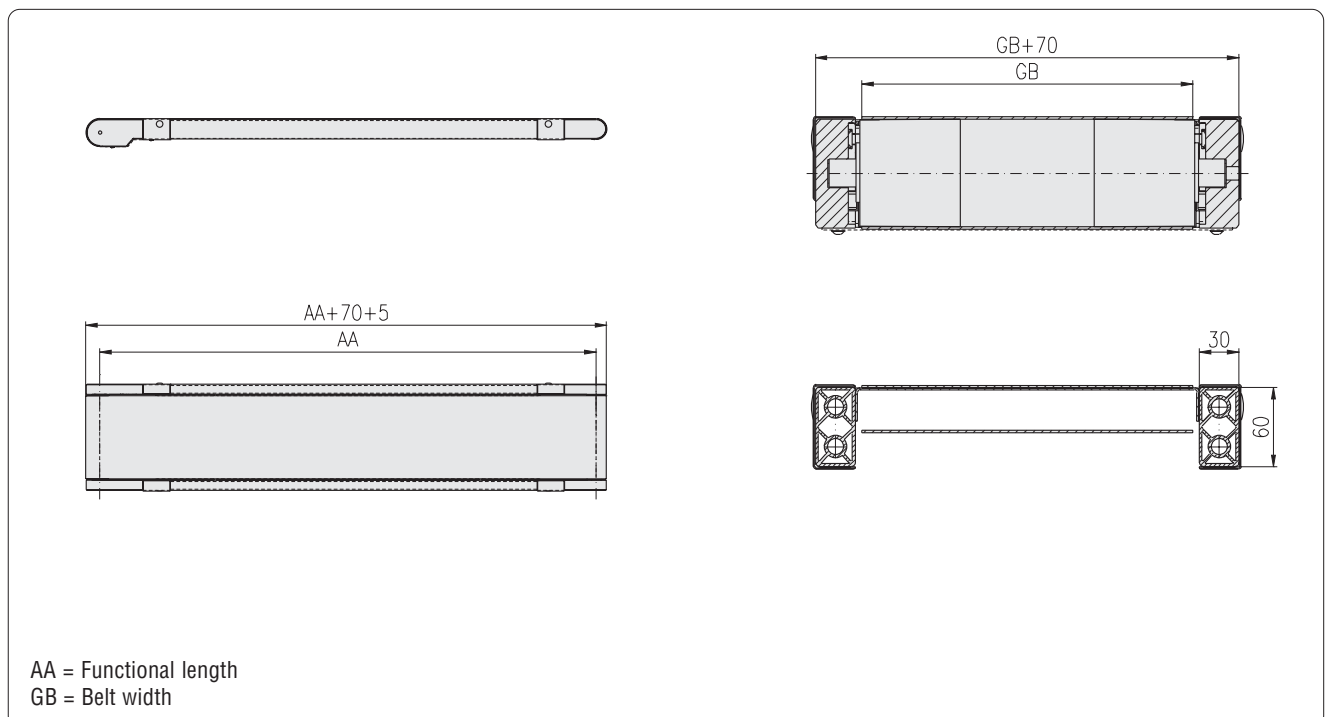
.04P.□□□□×□□□□□

(width×length in mm)

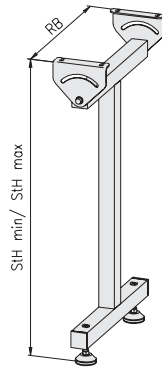
- Profile vertical

- Profile 30x60, 0F, P

Delivery unit without motor



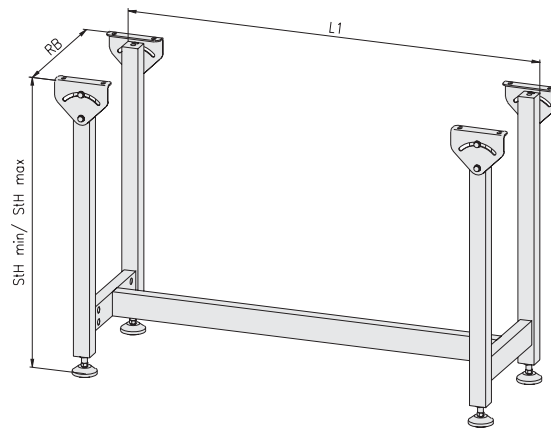
**Support legs 1**



**Description:**  
Support legs 1

**Article-No.:**  
5.19511.1111100.□□□□  
.0000.□□□□/□□□□

**Support legs 2**



**Description:**  
Support legs 2  
- with one additional kit

**Article-No.:**  
5.19511.1232101.□□□□  
.□□□□.□□□□/□□□□

**Numerical key**

**Chassis**

5.□9511.□□□□□□□□.□□□□  
5.□9511.□□□□□□□□.□□□□  
5.□9511.□□□□□□□□.□□□□  
5.□9511.□□□□□□□□.□□□□  
5.□9511.□□□□□□□□.□□□□  
5.□9511.□□□□□□□□.□□□□  
5.□9511.□□□□□□□□.□□□□  
5.□9511.□□□□□□□□.□□□□  
5.□9511.□□□□□□□□.□□□□  
5.□9511.□□□□□□□□.□□□□

**Key (line 1)**  
Conveyor  
Design <sup>1)</sup>  
Accessories  
Chassis  
Type <sup>2)</sup>  
Support legs <sup>3)</sup>  
Type of fastening <sup>4)</sup>  
Foot configuration <sup>5)</sup>  
Number of kits  
Frame width

- <sup>1)</sup> MayTec Class
  - 1 = M-SK1
  - 2 = M-SK2
  - 3 = M-SK3
- <sup>2)</sup> 1 = fixed  
2 = height adjustable
- <sup>3)</sup> 1 = Support legs 1  
2 = Support legs 2
- <sup>4)</sup> 1 = Swivel angle 144  
2 = Connection plate 50x80  
3 = Swivel angle 30  
4 = Connector
- <sup>5)</sup> 11 = Cross foot with adjustable tilt-foot 60x80  
12 = Cross foot with adjustable tilt-foot 60x100  
13 = Cross foot with adjustable tilt-foot 60x150  
14 = Cross foot with swivel castor  
15 = Cross foot with fixed castor  
16 = Cross foot with mounting plate  
21 = Foot with adjustable tilt-foot 60x80  
22 = Foot with adjustable tilt-foot 60x100  
23 = Foot with adjustable tilt-foot 60x150  
24 = Foot with swivel castor  
25 = Foot with fixed castor  
26 = Foot with base angle

.□□□□.□□□□/□□□□  
.□□□□.□□□□/□□□□  
.□□□□.□□□□/□□□□  
.□□□□.□□□□/□□□□

**Key (line 2)**  
Length L1  
Height min.  
Height max.

**fixed**

**height adjustable**

**Support legs 1** - Profile 40×40, 0E, LP



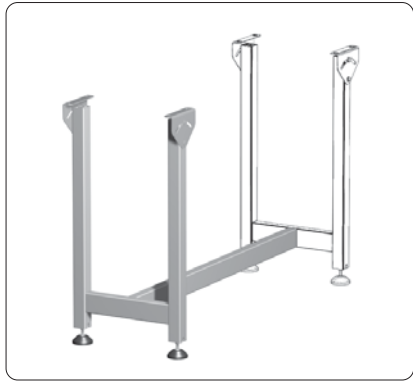
additional kit  
- Profile 40×40, 0E, LP



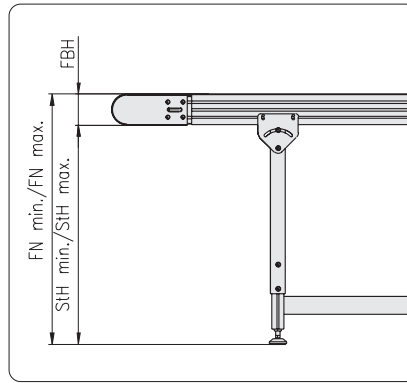
**Support legs 2** - Profile 40×40, 0E, LP  
- Profile 30×60, 0F, P



additional kit  
- Profile 40×40, 0E, LP  
- Profile 30×60, 0F, P



## Leg height

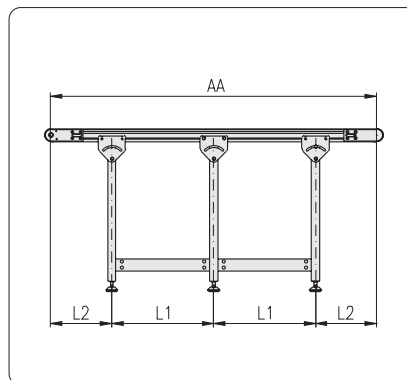


### Comments

StH<sub>min</sub> = 300 mm (height adjustable legs)  
 Adjustment range = StH - 300 mm

StH = Leg height  
 FN = Conveyor level  
 FBH = Conveyor height

## Leg spacing L1



AA = Axle distance  
 L1 = Kit length  
 L2 = Distance to the outer legs

Determination of the values L1 and L2			
Axle distance AA	Number of kits	L1	L2
1,000	1	2/4 AA	1/4 AA
1,500	1	2/4 AA	1/4 AA
2,000	1	2/4 AA	1/4 AA
2,500	1	2/4 AA	1/4 AA
3,000	1	2/4 AA	1/4 AA
3,500	1	2/4 AA	1/4 AA
4,000	2	2/6 AA	1/6 AA
4,500	2	2/6 AA	1/6 AA
5,000	2	2/6 AA	1/6 AA
5,500	2	2/6 AA	1/6 AA
6,000	2	2/6 AA	1/6 AA
6,500	3	2/8 AA	1/8 AA
7,000	3	2/8 AA	1/8 AA
7,500	3	2/8 AA	1/8 AA
8,000	3	2/8 AA	1/8 AA
8,500	4	2/10 AA	1/10 AA
9,000	4	2/10 AA	1/10 AA
9,500	4	2/10 AA	1/10 AA
10,000	4	2/10 AA	1/10 AA
10,500	5	2/12 AA	1/12 AA
11,000	5	2/12 AA	1/12 AA
11,500	5	2/12 AA	1/12 AA
12,000	5	2/12 AA	1/12 AA

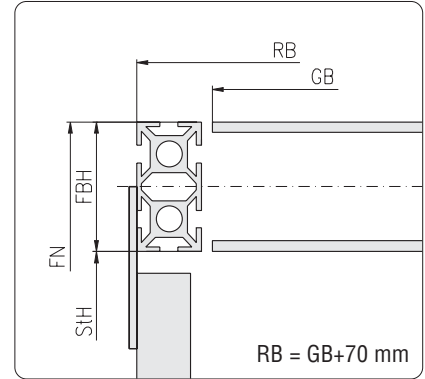
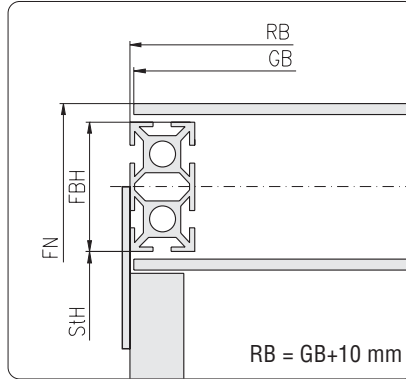
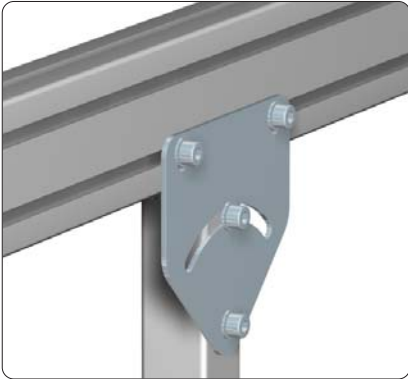


**Fastening**

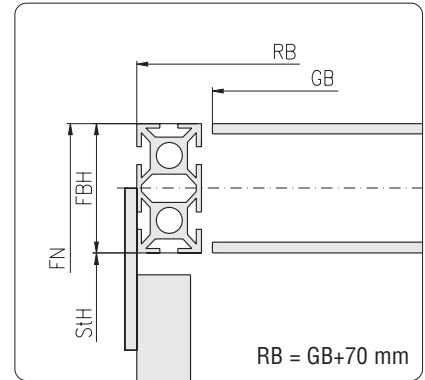
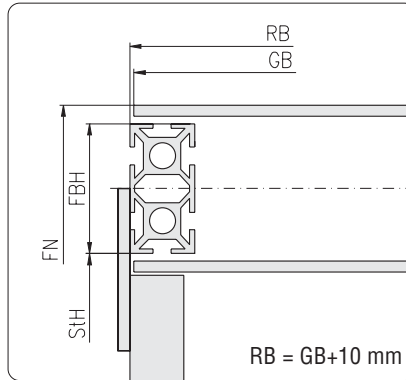
**Belt running outside**

**Belt running inside**

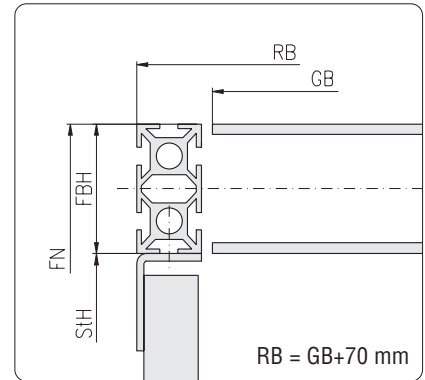
**Swivel angle 144**



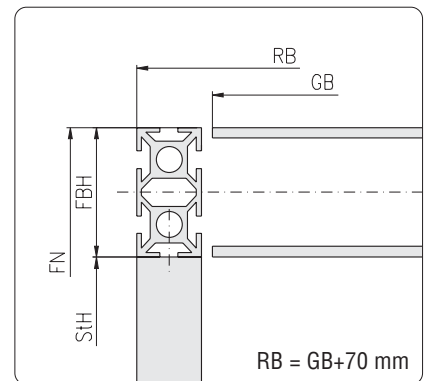
**Connection plate 50x80**



**Swivel angle 30**



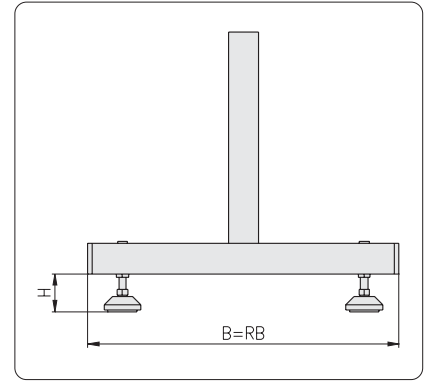
**Connector**



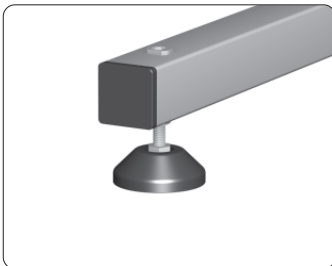
GB = Belt width  
RB = Frame width

StH = Leg height  
FN = Conveyor level

FBH = Conveyor height

**Cross foot**

**Application**

Stand configuration 1  
- Profile 40x40

**with adjustable tilt-foot**

**Technical data**

Adjustable tilt-foot plate PA 60 Article-No.: 1.44.411060  
Anti-slip disc for plate 60 Article-No.: 1.44.471061

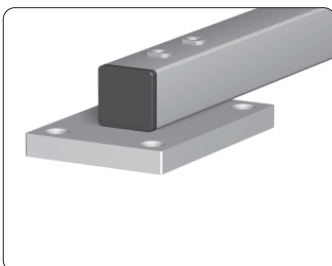
Description	H <sub>min.</sub>	H <sub>max.</sub>	L <sub>spindle</sub>	Article-No.
Cross foot with ad. tilt-foot 60x80	40	100	66	5.□9511.□□□11□□.□□□□
Cross foot with ad. tilt-foot 60x100	40	120	100	5.□9511.□□□12□□.□□□□
Cross foot with ad. tilt-foot 60x150	40	170	150	5.□9511.□□□13□□.□□□□

**with swivel / fixed castor**

**Technical data**

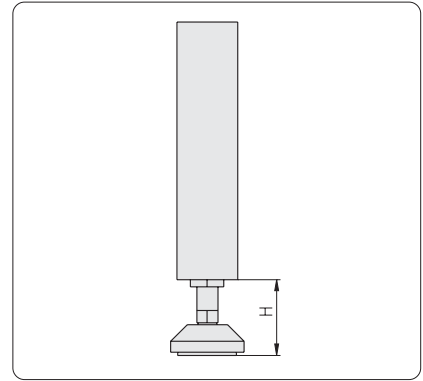
Swivel castor, lockable with bolt hole Ø75 Article-No.: 1.45.31075  
Fixed castor with bolt hole, Ø75 Article-No.: 1.45.11075

Description	H	Castor-Ø	Article-No.
Foot with swivel castor lockable	100	75	5.□9511.□□□14□□.□□□□
Foot with fixed castor	100	75	5.□9511.□□□15□□.□□□□

**with mounting plate**

**Technical data**

Mounting plate for profile 40x80 Article-No.: 1.47.30408

Description	H	Article-No.
Cross foot with mounting plate	15	5.□9511.□□□16□□.□□□□

**Foot**

**Application**

Stand configuration 2  
- Profile 30×60, 40×40

**with adjustable tilt-foot**

**Technical data**

Adjustable tilt-foot plate PA 60 Article-No.: 1.44.411060  
Anti-slip disc for plate 60 Article-No.: 1.44.471061

Description	H <sub>min.</sub>	H <sub>max.</sub>	L <sub>spindle</sub>	Article-No.
Foot with ad. tilt-foot 60×80	40	100	66	5.□9511.□□□21□□.□□□□
Foot with ad. tilt-foot 60×100	40	120	100	5.□9511.□□□22□□.□□□□
Foot with ad. tilt-foot 60×150	40	170	150	5.□9511.□□□23□□.□□□□

**with swivel / fixed castor**

**Technical data**

Swivel castor, lockable with bolt hole Ø75 Article-No.: 1.45.31075  
Fixed castor with bolt hole, Ø75 Article-No.: 1.45.11075


Description	H	Castor-Ø	Article-No.
Foot with swivel castor lockable	100	75	5.□9511.□□□24□□.□□□□
Foot with fixed castor	100	75	5.□9511.□□□25□□.□□□□

**with base angle**

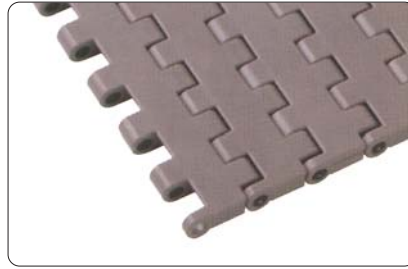
**Technical data**

Base angle 200×87×42 Article-No.: 1.44.820001

Description	H <sub>min.</sub>	H <sub>max.</sub>	Article-No.
Foot with base angle	0	50	5.□9511.□□□26□□.□□□□

Conveyor height (mm)	Belt pitch	Plastic link chain belts	Metal link chain belts
60	19.1 mm 3/4"	 <p data-bbox="592 607 722 636">UNI Light 3/4"</p>	
100	25.4 mm 1"	 <p data-bbox="592 945 699 974">UNI QNB 1"</p>	 <p data-bbox="1048 945 1121 974">Allert 1"</p>
150	38.1 mm 1.5"	 <p data-bbox="592 1283 722 1312">UNI Light 1.5"</p>	 <p data-bbox="1048 1283 1139 1312">Allert 1.5"</p>

## UNI Light C



Belt surface: closed

### Application

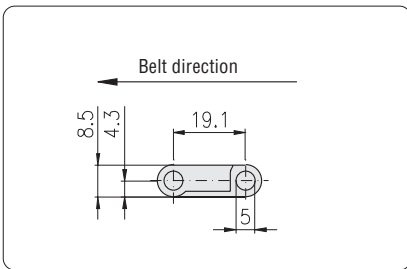
For conveyors with a height of 60 and 100 mm

### Technical data

material: PP, POM, PE, PA6  
 colour: black, white, grey, brown  
 pitch: 19.1 mm  
 belt thickness: 8.5 mm  
 belt width: 76 to 1,376 mm  
 temperature range: -10 to +100°C

### Comments

Selection of belt width according to the standard chain links widths as specified in *Technical data 5.A, table 'Type uni light'*



Description	Surface	Material	Colour	Article-No.
UNI Light C, 3/4"	closed	PP	black	5.922.1001.085191.11x <sup>1)</sup>
UNI Light C, 3/4"	closed	PP	white	5.922.1001.085191.12x <sup>1)</sup>
UNI Light C, 3/4"	closed	PP	grey	5.922.1001.085191.13x <sup>1)</sup>
UNI Light C, 3/4"	closed	POM	brown	5.922.1001.085191.25x <sup>1)</sup>
UNI Light C, 3/4"	closed	PE	white	5.922.1001.085191.32x <sup>1)</sup>
UNI Light C, 3/4"	closed	PA6	black	5.922.1001.085191.61x <sup>1)</sup>

x<sup>1)</sup> = □□□□x□□□□□ width×length in mm

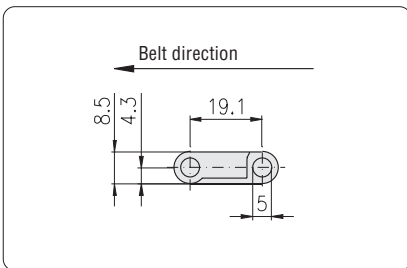
## UNI Light 22%



Belt surface: 22% open

### Technical data

like UNI Light C, but:  
 material: PP, POM  
 colour: white, grey, brown



Description	Surface	Material	Colour	Article-No.
UNI Light 22%	22% open	PP	white	5.922.2221.085191.12x <sup>1)</sup>
UNI Light 22%	22% open	PP	grey	5.922.2221.085191.13x <sup>1)</sup>
UNI Light 22%	22% open	POM	brown	5.922.2221.085191.25x <sup>1)</sup>

x<sup>1)</sup> = □□□□x□□□□□ width×length in mm

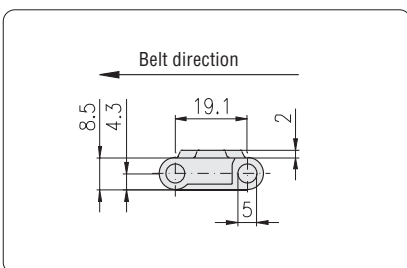
## UNI Light Flat Rubber



Belt surface: closed, rubber coated

### Technical data

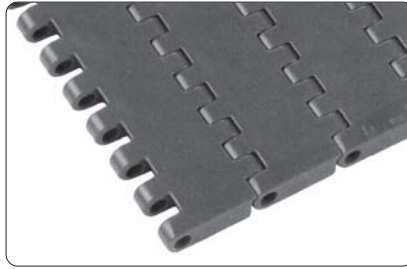
like UNI Light C, but:  
 material: PP  
 colour: grey



Description	Surface	Material	Colour	Article-No.
UNI Light Flat Rubber	closed	PP	grey	5.922.3001.085191.13x <sup>1)</sup>

x<sup>1)</sup> = □□□□x□□□□□ width×length in mm

## UNI QNB C



Belt surface: closed

### Application

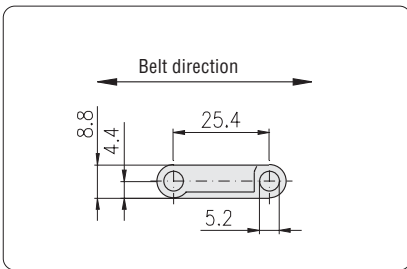
For conveyors with a height of 100 and 150 mm

### Technical data

material: PP, POM  
 colour: grey, black  
 pitch: 25.4 mm  
 belt thickness: 8.8 mm  
 belt width: 76 to 1,366 mm  
 temperature range: -10 to +100°C

### Comments

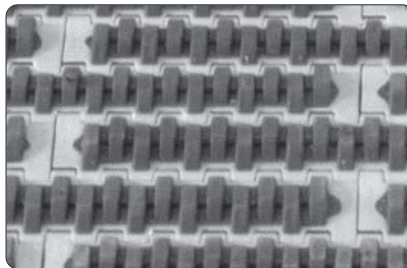
Selection of belt width according to the standard chain links widths as specified in "Technical data 5.A, table 'Type UNI QNB C'



Description	Surface	Material	Colour	Article-No.
UNI QNB , 1"	closed	PP	grey	5.922.1001.088254.13x <sup>1)</sup>
UNI QNB , 1"	closed	POM	black	5.922.1001.088254.21x <sup>1)</sup>

x<sup>1)</sup> = □□□□x□□□□□ width×length in mm

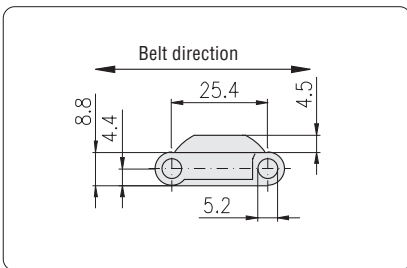
## UNI QNB Flat Rubber



Belt surface: closed, rubber coated

### Technical data

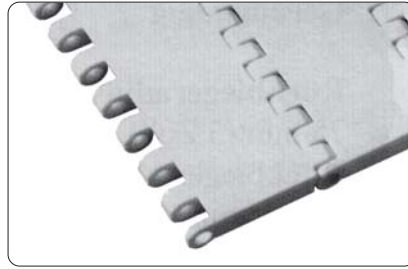
like UNI QNB C, but:  
 material: PP  
 colour: grey



Description	Surface	Material	Colour	Article-No.
UNI QNB Flat Rubber	closed	PP	grey	5.922.3001.088254.13x <sup>1)</sup>

x<sup>1)</sup> = □□□□x□□□□□ width×length in mm

## UNI Light EP C



Belt surface: closed

### Application

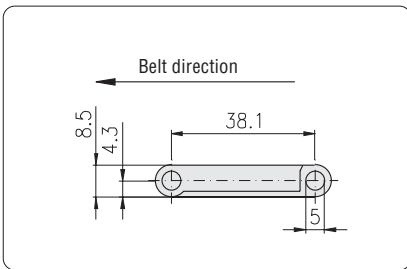
For conveyors with a height of 150 mm

### Technical data

material: PP, POM, PE  
 colour: white, grey, brown  
 pitch: 38.1 mm  
 belt thickness: 8.5 mm  
 belt width: 102 to 1,322 mm  
 temperature range: -10 to +100°C

### Comments

Selection of belt width according to the standard chain links widths as specified in "Technical data 5.A, table 'Type UNI Light EP C'



Description	Surface	Material	Colour	Article-No.
UNI Light EP C, 1,5"	closed	PP	white	5.922.1001.085381.12x <sup>1)</sup>
UNI Light EP C, 1,5"	closed	PP	grey	5.922.1001.085381.13x <sup>1)</sup>
UNI Light EP C, 1,5"	closed	PP	white	5.922.1001.085381.22x <sup>1)</sup>
UNI Light EP C, 1,5"	closed	POM	brown	5.922.1001.085381.25x <sup>1)</sup>
UNI Light EP C, 1,5"	closed	PE	white	5.922.1001.085381.32x <sup>1)</sup>

x<sup>1)</sup> = □□□□x□□□□□ width×length in mm

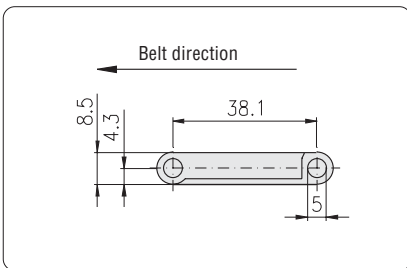
## UNI Light EP 18%



Belt surface: 18% open

### Technical data

like UNI Light EP C, but:  
 material: PE  
 colour: white



Description	Surface	Material	Colour	Article-No.
UNI Light EP 18%	18% open	PE	white	5.922.2181.085381.32x <sup>1)</sup>

x<sup>1)</sup> = □□□□x□□□□□ width×length in mm

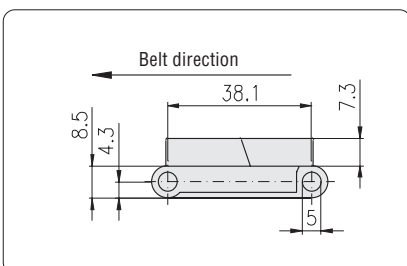
## UNI Light EP RIP C



Belt surface: closed, rubber coated

### Technical data

like UNI Light C, but:  
 material: PP  
 colour: grey



Description	Surface	Material	Colour	Article-No.
UNI Light EP RIP C	closed	PP	grey	5.922.4001.085381.13x <sup>1)</sup>

x<sup>1)</sup> = □□□□x□□□□□ width×length in mm

## Allert 1" G



Belt surface: closed

### Application

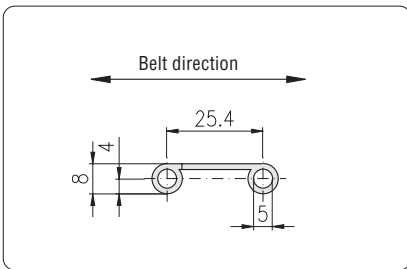
For conveyors with a height of 100 and 150 mm

### Technical data

material: steel, stainless steel  
 pitch: 25.4 mm  
 hinge thickness: 1.5 mm  
 belt width: 100 to 1,200 mm  
 temperature range: -10 to +300°C

### Comments

Selection of belt width according to the standard chain links widths as specified in "Technical data 5.A, table 'Type Allert 1'



Description	Surface	Material	Article-No.
Allert 1" G	closed	steel	5.923.1001.080254.1x <sup>1)</sup>
Allert 1" G	closed	stainless steel	5.923.1001.080254.2x <sup>1)</sup>

x<sup>1)</sup> = □□□□x□□□□□ width×length in mm

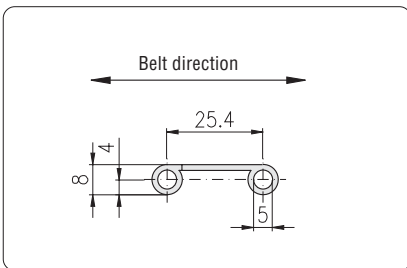
## Allert 1" 21%



Belt surface: 21% open

### Technical data

like Allert 1" G

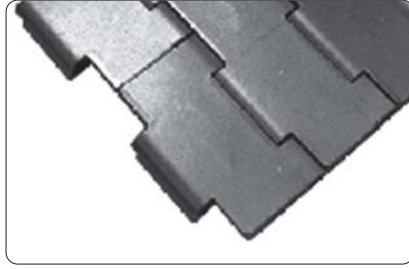


Description	Surface	Material	Article-No.
Allert 1" 21%	21% open	steel	5.923.2211.080254.1x <sup>1)</sup>
Allert 1" 21%	21% open	stainless steel	5.923.2211.080254.2x <sup>1)</sup>

x<sup>1)</sup> = □□□□x□□□□□ width×length in mm



## Allert 1.5" G



Belt surface: closed

### Application

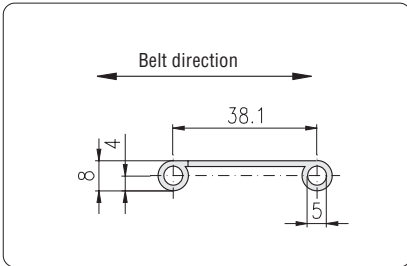
For conveyors with a height of 150 mm

### Technical data

material: steel, stainless steel  
 pitch: 38.1 mm  
 hinge thickness: 1.5 mm  
 belt width: 100 to 1,200 mm  
 temperature range: -10 to +300°C

### Comments

Selection of belt width according to the standard chain links widths as specified in "Technical data 5.A, table 'Type Allert 1.5'



Description	Surface	Material	Article-No.
Allert 1.5" G	closed	steel	5.923.1001.080381.1x <sup>1)</sup>
Allert 1.5" G	closed	stainless steel	5.923.1001.080381.2x <sup>1)</sup>

x<sup>1)</sup> = □□□□x□□□□□ width×length in mm

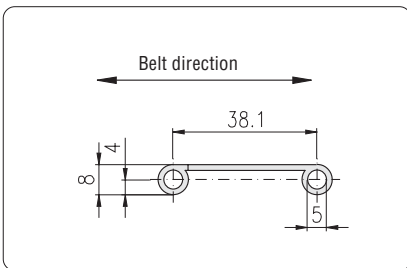
## Allert 1.5" 14%



Belt surface: 14% open

### Technical data

like Allert 1.5" G



Description	Surface	Material	Article-No.
Allert 1.5" 14%	14% open	steel	5.923.2211.080381.1x <sup>1)</sup>
Allert 1.5" 14%	14% open	stainless steel	5.923.2211.080381.2x <sup>1)</sup>

x<sup>1)</sup> = □□□□x□□□□□ width×length in mm

**Type UNI Light 3/4"**

Standard width (mm)	Belt weight (kg/m)					Tension load (kN)			
	POM		PP			PE	POM	PP	PE
	closed	22% open	closed	22% open	Rubber	closed	closed 22% open Rubber	closed	
<b>76</b>	0.52	0.45	0.39	0.33	0.40	0.39	0.78	0.39	0.23
<b>153</b>	1.06	0.90	0.78	0.67	0.81	0.78	1.57	0.78	0.47
<b>229</b>	1.58	1.35	1.17	1.01	1.21	1.17	2.35	1.17	0.70
<b>306</b>	2.11	1.81	1.56	1.35	1.62	1.56	3.14	1.57	0.94
<b>382</b>	2.64	2.25	1.95	1.68	2.02	1.95	3.92	1.96	1.17
<b>458</b>	3.16	2.70	2.34	2.02	2.43	2.34	4.69	2.35	1.41
<b>535</b>	3.69	3.16	2.73	2.35	2.84	2.73	5.48	2.74	1.65
<b>611</b>	4.22	3.60	3.12	2.69	3.24	3.12	6.26	3.13	1.88
<b>687</b>	4.74	4.05	3.50	3.02	3.64	3.50	7.04	3.52	2.11
<b>764</b>	5.27	4.51	3.90	3.36	4.05	3.90	7.83	3.92	2.35
<b>840</b>	5.80	4.96	4.28	3.70	4.45	4.28	8.61	4.31	2.58
<b>917</b>	6.33	5.41	4.68	4.03	4.86	4.68	9.40	4.70	2.82
<b>993</b>	6.85	5.86	5.06	4.37	5.26	5.06	10.18	5.09	3.05
<b>1,070</b>	7.38	6.31	5.46	4.71	5.67	5.46	10.97	5.48	3.29
<b>1,146</b>	7.91	6.76	5.84	5.04	6.07	5.84	11.75	5.87	3.52
<b>1,223</b>	8.44	7.22	6.24	5.38	6.48	6.24	12.54	6.27	3.76
<b>1,299</b>	8.96	7.66	6.62	5.72	6.88	6.62	13.31	6.66	3.99
<b>1,375</b>	9.49	8.11	7.01	6.05	7.29	7.01	14.09	7.05	4.23

**Type UNI QNB 1"**

Standard width (mm)	Belt weight (kg/m)			Tension load (kN)	
	POM	PP		POM	PP
	closed	closed	Rubber	closed	closed Rubber
<b>76</b>	0.63	0.40	0.52	2.66	1.52
<b>152</b>	1.26	0.81	1.05	5.32	3.04
<b>228</b>	1.89	1.21	1.57	7.98	4.56
<b>304</b>	2.52	1.61	2.10	10.64	6.08
<b>379</b>	3.15	2.01	2.62	13.27	7.58
<b>455</b>	3.78	2.41	3.14	15.93	9.10
<b>531</b>	4.41	2.81	3.66	18.59	10.62
<b>607</b>	5.04	3.22	4.19	21.25	12.14
<b>683</b>	5.67	3.62	4.71	23.91	13.66
<b>759</b>	6.30	4.02	5.24	26.57	15.18
<b>835</b>	6.93	4.43	5.76	29.23	16.70
<b>911</b>	7.56	4.83	6.29	31.89	18.22
<b>987</b>	8.19	5.23	6.81	34.55	19.74
<b>1,063</b>	8.82	5.63	7.33	37.21	21.26
<b>1,139</b>	9.45	6.04	7.86	39.87	22.78
<b>1,214</b>	10.08	6.43	8.38	42.49	24.28
<b>1,290</b>	10.71	6.84	8.90	45.15	25.80
<b>1,366</b>	11.34	7.24	9.43	47.81	27.32

## Type UNI Light EP 1.5"

Standard width (mm)	Belt weight (kg/m)					Tension load (kN)		
	POM	PP		PE		POM	PP	PE
	closed	closed	RIP C	closed	18% open	closed	closed RIP C	closed 18% open
<b>102</b>	0.58	0.38	0.47	0.41	0.37	1.05	0.52	0.31
<b>152</b>	0.87	0.56	0.70	0.61	0.55	1.56	0.78	0.47
<b>254</b>	1.45	0.94	1.17	1.02	0.91	2.60	1.30	0.78
<b>305</b>	1.74	1.13	1.40	1.22	1.10	3.13	1.56	0.94
<b>355</b>	2.02	1.31	1.63	1.42	1.28	3.64	1.82	1.09
<b>406</b>	2.31	1.50	1.87	1.62	1.46	4.16	2.08	1.25
<b>458</b>	2.61	1.69	2.11	1.83	1.65	4.69	2.35	1.41
<b>509</b>	2.90	1.88	2.34	2.04	1.83	5.22	2.61	1.57
<b>559</b>	3.19	2.07	2.57	2.24	2.01	5.73	2.86	1.72
<b>610</b>	3.48	2.26	2.81	2.44	2.20	6.25	3.13	1.88
<b>661</b>	3.77	2.45	3.04	2.64	2.38	6.78	3.39	2.03
<b>712</b>	4.06	2.63	3.28	2.85	2.56	7.30	3.65	2.19
<b>763</b>	4.35	2.82	3.51	3.05	2.75	7.82	3.91	2.35
<b>814</b>	4.64	3.01	3.74	3.26	2.93	8.34	4.17	2.50
<b>865</b>	4.93	3.20	3.98	3.46	3.11	8.87	4.43	2.66
<b>916</b>	5.22	3.39	4.21	3.66	3.30	9.39	4.69	2.82
<b>966</b>	5.51	3.57	4.44	3.86	3.48	9.90	4.95	2.97
<b>1,017</b>	5.80	3.76	4.68	4.07	3.66	10.42	5.21	3.13
<b>1,068</b>	6.09	3.95	4.91	4.27	3.84	10.95	5.47	3.28
<b>1,119</b>	6.38	4.14	5.15	4.48	4.03	11.47	5.73	3.44
<b>1,170</b>	6.67	4.33	5.38	4.68	4.21	11.99	6.00	3.60
<b>1,220</b>	6.95	4.51	5.61	4.88	4.39	12.51	6.25	3.75
<b>1,271</b>	7.24	4.70	5.85	5.08	4.58	13.03	6.51	3.91
<b>1,322</b>	7.54	4.89	6.08	5.29	4.76	13.55	6.78	4.07

## Chain wheels

Conveyor height (mm)	UNI Light 3/4"		UBI QNB 1"		UNI Light EP 1.5"	
	number of teeth	reference circle	number of teeth	reference circle	number of teeth	reference circle
<b>60</b>	10	61.7	-	-	-	-
<b>100</b>	17	103.7	12	98.1	-	-
<b>150</b>	-	-	18	146.3	12	147.2

**Type Allert 1"**

Standard width (mm)	Belt weight (kg/m)	
	closed	21% open
<b>100</b>	2.70	2.45
<b>150</b>	3.90	3.53
<b>200</b>	5.10	4.60
<b>250</b>	6.30	5.68
<b>300</b>	7.50	6.75
<b>350</b>	8.70	7.83
<b>400</b>	9.90	8.90
<b>450</b>	11.10	9.98
<b>500</b>	12.30	11.05
<b>550</b>	13.60	12.23
<b>600</b>	14.80	13.30
<b>650</b>	16.00	14.38
<b>700</b>	17.20	15.45
<b>750</b>	18.40	16.53
<b>800</b>	19.60	17.60
<b>850</b>	20.80	18.68
<b>900</b>	22.50	20.25
<b>950</b>	23.20	20.83
<b>1,000</b>	24.40	21.90
<b>1,050</b>	25.60	22.98
<b>1,100</b>	25.80	23.05
<b>1,150</b>	28.00	25.13
<b>1,200</b>	29.20	26.20

**Type Allert 1.5"**

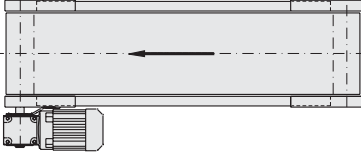
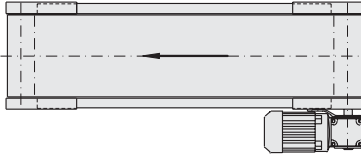
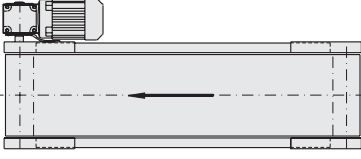
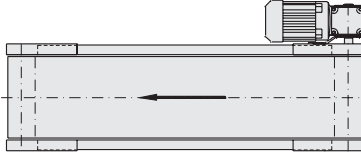
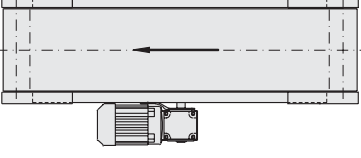
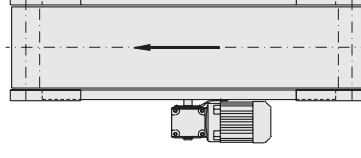
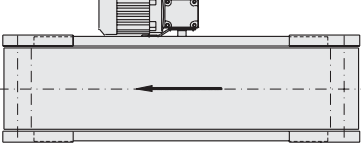
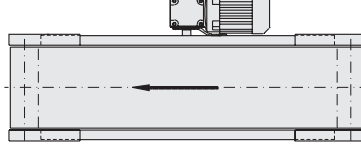
Standard width (mm)	Belt weight (kg/m)	
	closed	14% open
<b>100</b>	2.60	2.43
<b>150</b>	3.60	3.35
<b>200</b>	4.60	4.27
<b>250</b>	5.60	5.19
<b>300</b>	6.60	6.10
<b>350</b>	7.60	7.02
<b>400</b>	8.60	7.94
<b>450</b>	9.60	8.85
<b>500</b>	10.60	9.77
<b>550</b>	11.60	10.69
<b>600</b>	12.60	11.60
<b>650</b>	13.60	12.52
<b>700</b>	14.80	13.64
<b>750</b>	15.80	14.56
<b>800</b>	16.80	15.47
<b>850</b>	17.80	16.39
<b>900</b>	18.80	17.31
<b>950</b>	19.80	18.22
<b>1,000</b>	20.90	19.24
<b>1,050</b>	21.90	20.16
<b>1,100</b>	22.90	21.07
<b>1,150</b>	23.90	21.99
<b>1,200</b>	24.90	22.91

**Chain wheels**

Conveyor height (mm)	Allert 1"	
	number of teeth	reference circle
<b>100</b>	12	98.1
<b>150</b>	18	146.0

**Chain wheels**

Conveyor height (mm)	Allert 1.5"	
	number of teeth	reference circle
<b>100</b>	8	99.6
<b>150</b>	12	147.0

Position of motor	running direction	
	pulling	pushing
Motor "left"		
Motor "right"		
Motor "center left"		
Motor "center right"		

<b>Manufacturer</b>	<b>Type of motor</b>	<b>Type</b>	<b>Page</b>	<b>Comments</b>
<b>ATM</b>	<b>Small geared motor</b>	<b>ATM 5025 ATM 5625</b>	<b>77 77</b>	
<b>SEW</b>	<b>Geared motor</b>	<b>WA 10 WA 20 WA 30</b>	<b>78 78 80</b>	
<b>Bauer</b>	<b>Geared motor</b>	<b>BS 03</b>	<b>81</b>	
<b>Bonfiglioli</b>	<b>Geared motor</b>	<b>VF 30 VF 44</b>	<b>82 83</b>	
<b>Interroll</b>	<b>Axial cylinder motor</b>	<b>80 S 113 S</b>	<b>85 85</b>	
<b>SEW</b>	<b>Geared motor</b>	<b>WA 20 WA 30</b>	<b>86 87</b>	<b>USA specifications USA specifications</b>
<b>Bonfiglioli</b>	<b>Geared motor</b>	<b>VF 30 VF 44</b>	<b>89 89</b>	<b>USA specifications USA specifications</b>

Small geared motor ATM 5025			Height of conveyor base frame (mm)															
			30				60				100							
			Diameter of rollers (mm)															
Type	rpm	Nm	Ø28		Ø32		Ø58		Ø61		Ø98		Ø101					
			m/min	m/s	m/min	m/s	m/min	m/s	m/min	m/s	m/min	m/s	m/min	m/s	m/min	m/s	m/min	m/s
<b>0.045 kW</b> <b>B4 25</b>	<b>28</b>	1.5	2.6	0.04	2.9	0.05	5.2	0.09	5.5	0.09	8.7	0.15	9.0	0.15				
	<b>40</b>	6.3	3.7	0.06	4.2	0.07	7.5	0.12	7.8	0.13	12.5	0.21	12.9	0.21				
	<b>50</b>	5.0	4.6	0.08	5.3	0.09	9.3	0.16	9.8	0.16	15.6	0.26	16.1	0.27				
	<b>70</b>	3.6	6.5	0.11	7.4	0.12	13.1	0.22	13.7	0.23	21.8	0.36	22.5	0.38				
	<b>122</b>	2.1	11.3	0.19	12.8	0.21	22.8	0.38	23.9	0.40	38.1	0.63	39.2	0.65				
<b>0.06 kW</b> <b>B2 25</b>	<b>56</b>	1.5	5.2	0.09	5.9	0.10	10.4	0.17	11.0	0.18	17.5	0.29	18.0	0.30				
	<b>80</b>	5.2	7.4	0.12	8.4	0.14	14.9	0.25	15.7	0.26	25.0	0.42	25.7	0.43				
	<b>100</b>	4.2	9.2	0.15	10.5	0.18	18.7	0.31	19.6	0.33	31.2	0.52	32.2	0.54				
	<b>140</b>	3.0	12.9	0.22	14.7	0.25	26.1	0.44	27.4	0.46	43.7	0.73	45.0	0.75				
	<b>243</b>	1.7	22.4	0.37	25.6	0.43	45.3	0.76	47.6	0.79	75.8	1.26	78.1	1.30				

Geared motors not controllable by frequency converter

Small geared motor ATM 5625			Height of conveyor base frame (mm)															
			30				60				100							
			Diameter of rollers (mm)															
Type	rpm	Nm	Ø28		Ø32		Ø58		Ø61		Ø98		Ø101					
			m/min	m/s	m/min	m/s	m/min	m/s	m/min	m/s	m/min	m/s	m/min	m/s	m/min	m/s	m/min	m/s
<b>0.009 kW</b> <b>B4 25</b>	<b>28</b>	1.5	2.6	0.04	2.9	0.05	5.2	0.09	5.5	0.09	8.7	0.15	9.0	0.15				
	<b>40</b>	6.3	3.7	0.06	4.2	0.07	7.5	0.12	7.8	0.13	12.5	0.21	12.9	0.21				
	<b>50</b>	5.0	4.6	0.08	5.3	0.09	9.3	0.16	9.8	0.16	15.6	0.26	16.1	0.27				
	<b>70</b>	3.6	6.5	0.11	7.4	0.12	13.1	0.22	13.7	0.23	21.8	0.36	22.5	0.38				
	<b>122</b>	2.1	11.3	0.19	12.8	0.21	22.8	0.38	23.9	0.40	38.1	0.63	39.2	0.65				
<b>0.13 kW</b> <b>B2 25</b>	<b>56</b>	1.5	5.2	0.09	5.9	0.10	10.4	0.17	11.0	0.18	17.5	0.29	18.0	0.30				
	<b>80</b>	5.2	7.4	0.12	8.4	0.14	14.9	0.25	15.7	0.26	25.0	0.42	25.7	0.43				
	<b>100</b>	4.2	9.2	0.15	10.5	0.18	18.7	0.31	19.6	0.33	31.2	0.52	32.2	0.54				
	<b>140</b>	3.0	12.9	0.22	14.7	0.25	26.1	0.44	27.4	0.46	43.7	0.73	45.0	0.75				
	<b>243</b>	1.7	22.4	0.37	25.6	0.43	45.3	0.76	47.6	0.79	75.8	1.26	78.1	1.30				

Geared motors controllable by frequency converter

All values are designed for double-ply belts

Geared motor SEW - WA 10			Height of conveyor base frame (mm)															
			30				60				100				150			
			Diameter of rollers (mm)															
Type	rpm	Nm	Ø28		Ø32		Ø58		Ø61		Ø98		Ø101		Ø148		Ø151	
			m/min	m/s	m/min	m/s	m/min	m/s	m/min	m/s	m/min	m/s	m/min	m/s	m/min	m/s	m/min	m/s
<b>0.09 kW</b> DT 56 M4	17	20	1.6	0.03	1.8	0.03	3.2	0.05	3.3	0.06	5.3	0.09	5.5	0.09	8.0	0.13	8.1	0.14
	22	18	2.0	0.03	2.3	0.04	4.1	0.07	4.3	0.07	6.9	0.11	7.1	0.12	10.3	0.17	10.5	0.18
	27	16	2.5	0.04	2.8	0.05	5.0	0.08	5.3	0.09	8.4	0.14	8.7	0.14	12.7	0.21	12.9	0.22
	33	15	3.0	0.05	3.5	0.06	6.2	0.10	6.5	0.11	10.3	0.17	10.6	0.18	15.5	0.26	15.8	0.26
	40	13	3.7	0.06	4.2	0.07	7.5	0.12	7.8	0.13	12.5	0.21	12.9	0.21	18.8	0.31	19.1	0.32
	47	12	4.3	0.07	4.9	0.08	8.8	0.15	9.2	0.15	14.7	0.24	15.1	0.25	22.0	0.37	22.5	0.37
	53	11	4.9	0.08	5.6	0.09	9.9	0.16	10.4	0.17	16.5	0.28	17.0	0.28	24.9	0.41	25.4	0.42
	67	9.4	6.2	0.10	7.0	0.12	12.5	0.21	13.1	0.22	20.9	0.35	21.5	0.36	31.4	0.52	32.1	0.53
	79	8.4	7.3	0.12	8.3	0.14	14.7	0.25	15.5	0.26	24.7	0.41	25.4	0.42	37.1	0.62	37.8	0.63
	91	7.6	8.4	0.14	9.6	0.16	17.0	0.28	17.8	0.30	28.4	0.47	29.3	0.49	42.7	0.71	43.5	0.73
	127	5.8	11.7	0.20	13.4	0.22	23.7	0.39	24.9	0.41	39.6	0.66	40.8	0.68	59.6	0.99	60.8	1.01
159	4.8	14.7	0.24	16.7	0.28	29.7	0.49	31.2	0.52	49.6	0.83	51.1	0.85	74.6	1.24	76.1	1.27	
<b>0.12 kW</b> DT 56 L4	17	27	1.6	0.03	1.8	0.03	3.2	0.05	3.3	0.06	5.3	0.09	5.5	0.09	8.0	0.13	8.1	0.14
	22	23	2.0	0.03	2.3	0.04	4.1	0.07	4.3	0.07	6.9	0.11	7.1	0.12	10.3	0.17	10.5	0.18
	27	21	2.5	0.04	2.8	0.05	5.0	0.08	5.3	0.09	8.4	0.14	8.7	0.14	12.7	0.21	12.9	0.22
	33	20	3.0	0.05	3.5	0.06	6.2	0.10	6.5	0.11	10.3	0.17	10.6	0.18	15.5	0.26	15.8	0.26
	40	18	3.7	0.06	4.2	0.07	7.5	0.12	7.8	0.13	12.5	0.21	12.9	0.21	18.8	0.31	19.1	0.32
	47	16	4.3	0.07	4.9	0.08	8.8	0.15	9.2	0.15	14.7	0.24	15.1	0.25	22.0	0.37	22.5	0.37
	53	15	4.9	0.08	5.6	0.09	9.9	0.16	10.4	0.17	16.5	0.28	17.0	0.28	24.9	0.41	25.4	0.42
	67	13	6.2	0.10	7.0	0.12	12.5	0.21	13.1	0.22	20.9	0.35	21.5	0.36	31.4	0.52	32.1	0.53
	79	11	7.3	0.12	8.3	0.14	14.7	0.25	15.5	0.26	24.7	0.41	25.4	0.42	37.1	0.62	37.8	0.63
	91	10	8.4	0.14	9.6	0.16	17.0	0.28	17.8	0.30	28.4	0.47	29.3	0.49	42.7	0.71	43.5	0.73
	127	7.7	11.7	0.20	13.4	0.22	23.7	0.39	24.9	0.41	39.6	0.66	40.8	0.68	59.6	0.99	60.8	1.01
159	6.3	14.7	0.24	16.7	0.28	29.7	0.49	31.2	0.52	49.6	0.83	51.1	0.85	74.6	1.24	76.1	1.27	

All values are designed for double-ply belts

Geared motor SEW - WA 20			Height of conveyor base frame (mm)															
			30				60				100				150			
			Diameter of rollers (mm)															
Type	rpm	Nm	Ø28		Ø32		Ø58		Ø61		Ø98		Ø101		Ø148		Ø151	
			m/min	m/s	m/min	m/s	m/min	m/s	m/min	m/s	m/min	m/s	m/min	m/s	m/min	m/s	m/min	m/s
<b>0.12 kW</b> DR 63 M6	12	36	1.1	0.02	1.3	0.02	2.2	0.04	2.4	0.04	3.7	0.06	3.9	0.06	5.6	0.09	5.7	0.10
	15	32	1.4	0.02	1.6	0.03	2.8	0.05	2.9	0.05	4.7	0.08	4.8	0.08	7.0	0.12	7.2	0.12
	28	27	2.6	0.04	2.9	0.05	5.2	0.09	5.5	0.09	8.7	0.15	9.0	0.15	13.1	0.22	13.4	0.22
	33	22	3.0	0.05	3.5	0.06	6.2	0.10	6.5	0.11	10.3	0.17	10.6	0.18	15.5	0.26	15.8	0.26
<b>0.12 kW</b> DR 63 S4	18	25	1.7	0.03	1.9	0.03	3.4	0.06	3.5	0.06	5.6	0.09	5.8	0.10	8.4	0.14	8.6	0.14
	23	22	2.1	0.04	2.4	0.04	4.3	0.07	4.5	0.08	7.2	0.12	7.4	0.12	10.8	0.18	11.0	0.18
	29	20	2.7	0.04	3.1	0.05	5.4	0.09	5.7	0.09	9.1	0.15	9.3	0.16	13.6	0.23	13.9	0.23
	35	19	3.2	0.05	3.7	0.06	6.5	0.11	6.9	0.11	10.9	0.18	11.3	0.19	16.4	0.27	16.7	0.28
	42	18	3.9	0.06	4.4	0.07	7.8	0.13	8.2	0.14	13.1	0.22	13.5	0.23	19.7	0.33	20.1	0.33
	50	15	4.6	0.08	5.3	0.09	9.3	0.16	9.8	0.16	15.6	0.26	16.1	0.27	23.5	0.39	23.9	0.40
	56	14	5.2	0.09	5.9	0.10	10.4	0.17	11.0	0.18	17.5	0.29	18.0	0.30	26.3	0.44	26.8	0.45
	71	12	6.6	0.11	7.5	0.12	13.2	0.22	13.9	0.23	22.2	0.37	22.8	0.38	33.3	0.56	34.0	0.57
	84	10	7.8	0.13	8.8	0.15	15.7	0.26	16.5	0.27	26.2	0.44	27.0	0.45	39.4	0.66	40.2	0.67
	96	9.5	8.9	0.15	10.1	0.17	17.9	0.30	18.8	0.31	30.0	0.50	30.9	0.51	45.0	0.75	45.9	0.77
	135	7.2	12.5	0.21	14.2	0.24	25.2	0.42	26.5	0.44	42.1	0.70	43.4	0.72	63.3	1.06	64.6	1.08
168	5.9	15.5	0.26	17.7	0.29	31.3	0.52	32.9	0.55	52.4	0.87	54.0	0.90	78.8	1.31	80.4	1.34	
<b>0.18 kW</b> DR 63 M4	18	39	1.7	0.03	1.9	0.03	3.4	0.06	3.5	0.06	5.6	0.09	5.8	0.10	8.4	0.14	8.6	0.14
	22	34	2.0	0.03	2.3	0.04	4.1	0.07	4.3	0.07	6.9	0.11	7.1	0.12	10.3	0.17	10.5	0.18
	28	32	2.6	0.04	2.9	0.05	5.2	0.09	5.5	0.09	8.7	0.15	9.0	0.15	13.1	0.22	13.4	0.22
	34	29	3.1	0.05	3.6	0.06	6.3	0.11	6.7	0.11	10.6	0.18	10.9	0.18	15.9	0.27	16.3	0.27
	41	28	3.8	0.06	4.3	0.07	7.6	0.13	8.0	0.13	12.8	0.21	13.2	0.22	19.2	0.32	19.6	0.33
	48	24	4.4	0.07	5.0	0.08	9.0	0.15	9.4	0.16	15.0	0.25	15.4	0.26	22.5	0.38	23.0	0.38
	54	22	5.0	0.08	5.7	0.09	10.1	0.17	10.6	0.18	16.9	0.28	17.4	0.29	25.3	0.42	25.8	0.43
	68	19	6.3	0.10	7.2	0.12	12.7	0.21	13.3	0.22	21.2	0.35	21.9	0.36	31.9	0.53	32.5	0.54
	80	16	7.4	0.12	8.4	0.14	14.9	0.25	15.7	0.26	25.0	0.42	25.7	0.43	37.5	0.63	38.3	0.64
	92	15	8.5	0.14	9.7	0.16	17.2	0.29	18.0	0.30	28.7	0.48	29.6	0.49	43.2	0.72	44.0	0.73
	129	11	11.9	0.20	13.6	0.23	24.1	0.40	25.3	0.42	40.3	0.67	41.5	0.69	60.5	1.01	61.7	1.03
161	9.2	14.9	0.25	16.9	0.28	30.0	0.50	31.5	0.53	50.3	0.84	51.8	0.86	75.5	1.26	77.0	1.28	

All values are designed for double-ply belts



Geared motor SEW - WA 20			Height of conveyor base frame (mm)															
			30				60				100				150			
			Diameter of rollers (mm)															
Type	rpm	Nm	Ø28		Ø32		Ø58		Ø61		Ø98		Ø101		Ø148		Ø151	
			m/min	m/s	m/min	m/s	m/min	m/s	m/min	m/s	m/min	m/s	m/min	m/s	m/min	m/s	m/min	m/s
<b>0.25 kW DT 71 D6</b>	<b>32</b>	48	3.0	0.05	3.4	0.06	6.0	0.10	6.3	0.10	10.0	0.17	10.3	0.17	15.0	0.25	15.3	0.26
	<b>45</b>	37	4.2	0.07	4.7	0.08	8.4	0.14	8.8	0.15	14.0	0.23	14.5	0.24	21.1	0.35	21.5	0.36
	<b>61</b>	30	5.6	0.09	6.4	0.11	11.4	0.19	12.0	0.20	19.0	0.32	19.6	0.33	28.6	0.48	29.2	0.49
	<b>86</b>	23	7.9	0.13	9.0	0.15	16.0	0.27	16.9	0.28	26.8	0.45	27.7	0.46	40.3	0.67	41.2	0.69
<b>0.25 kW DR 63 L4</b>	<b>22</b>	48	2.0	0.03	2.3	0.04	4.1	0.07	4.3	0.07	6.9	0.11	7.1	0.12	10.3	0.17	10.5	0.18
	<b>27</b>	45	2.5	0.04	2.8	0.05	5.0	0.08	5.3	0.09	8.4	0.14	8.7	0.14	12.7	0.21	12.9	0.22
	<b>33</b>	41	3.0	0.05	3.5	0.06	6.2	0.10	6.5	0.11	10.3	0.17	10.6	0.18	15.5	0.26	15.8	0.26
	<b>40</b>	40	3.7	0.06	4.2	0.07	7.5	0.12	7.8	0.13	12.5	0.21	12.9	0.21	18.8	0.31	19.1	0.32
	<b>47</b>	34	4.3	0.07	4.9	0.08	8.8	0.15	9.2	0.15	14.7	0.24	15.1	0.25	22.0	0.37	22.5	0.37
	<b>53</b>	30	4.9	0.08	5.6	0.09	9.9	0.16	10.4	0.17	16.5	0.28	17.0	0.28	24.9	0.41	25.4	0.42
	<b>67</b>	26	6.2	0.10	7.0	0.12	12.5	0.21	13.1	0.22	20.9	0.35	21.5	0.36	31.4	0.52	32.1	0.53
	<b>79</b>	23	7.3	0.12	8.3	0.14	14.7	0.25	15.5	0.26	24.7	0.41	25.4	0.42	37.1	0.62	37.8	0.63
	<b>91</b>	21	8.4	0.14	9.6	0.16	17.0	0.28	17.8	0.30	28.4	0.47	29.3	0.49	42.7	0.71	43.5	0.73
	<b>127</b>	16	11.7	0.20	13.4	0.22	23.7	0.39	24.9	0.41	39.6	0.66	40.8	0.68	59.6	0.99	60.8	1.01
	<b>159</b>	13	14.7	0.24	16.7	0.28	29.7	0.49	31.2	0.52	49.6	0.83	51.1	0.85	74.6	1.24	76.1	1.27
<b>0.25 kW DR 63 M2</b>	<b>82</b>	21	7.6	0.13	8.6	0.14	15.3	0.25	16.1	0.27	25.6	0.43	26.4	0.44	38.5	0.64	39.2	0.65
	<b>97</b>	17	9.0	0.15	10.2	0.17	18.1	0.30	19.0	0.32	30.3	0.50	31.2	0.52	45.5	0.76	46.4	0.77
	<b>109</b>	16	10.1	0.17	11.5	0.19	20.3	0.34	21.4	0.36	34.0	0.57	35.0	0.58	51.1	0.85	52.2	0.87
	<b>136</b>	13	12.6	0.21	14.3	0.24	25.4	0.42	26.6	0.44	42.4	0.71	43.7	0.73	63.8	1.06	65.1	1.08
	<b>161</b>	12	14.9	0.25	16.9	0.28	30.0	0.50	31.5	0.53	50.3	0.84	51.8	0.86	75.5	1.26	77.0	1.28
	<b>186</b>	11	17.2	0.29	19.6	0.33	34.7	0.58	36.4	0.61	58.1	0.97	59.8	1.00	87.3	1.45	89.0	1.48
	<b>260</b>	7.9	24.0	0.40	27.3	0.46	48.5	0.81	50.9	0.85	81.2	1.35	83.6	1.39	122.0	2.03	124.4	2.07
	<b>324</b>	6.5	29.9	0.50	34.1	0.57	60.4	1.01	63.5	1.06	101.1	1.69	104.2	1.74	152.0	2.53	155.0	2.58
<b>0.37 kW DT 71 D4</b>	<b>50</b>	47	4.6	0.08	5.3	0.09	9.3	0.16	9.8	0.16	15.6	0.26	16.1	0.27	23.5	0.39	23.9	0.40
	<b>56</b>	43	5.2	0.09	5.9	0.10	10.4	0.17	11.0	0.18	17.5	0.29	18.0	0.30	26.3	0.44	26.8	0.45
	<b>71</b>	37	6.6	0.11	7.5	0.12	13.2	0.22	13.9	0.23	22.2	0.37	22.8	0.38	33.3	0.56	34.0	0.57
	<b>84</b>	32	7.8	0.13	8.8	0.15	15.7	0.26	16.5	0.27	26.2	0.44	27.0	0.45	39.4	0.66	40.2	0.67
	<b>96</b>	29	8.9	0.15	10.1	0.17	17.9	0.30	18.8	0.31	30.0	0.50	30.9	0.51	45.0	0.75	45.9	0.77
	<b>135</b>	22	12.5	0.21	14.2	0.24	25.2	0.42	26.5	0.44	42.1	0.70	43.4	0.72	63.3	1.06	64.6	1.08
	<b>168</b>	18	15.5	0.26	17.7	0.29	31.3	0.52	32.9	0.55	52.4	0.87	54.0	0.90	78.8	1.31	80.4	1.34
<b>0.37 kW DR 63 L2</b>	<b>108</b>	23	10.0	0.17	11.4	0.19	20.1	0.34	21.2	0.35	33.7	0.56	34.7	0.58	50.7	0.84	51.7	0.86
	<b>136</b>	20	12.6	0.21	14.3	0.24	25.4	0.42	26.6	0.44	42.4	0.71	43.7	0.73	63.8	1.06	65.1	1.08
	<b>161</b>	17	14.9	0.25	16.9	0.28	30.0	0.50	31.5	0.53	50.3	0.84	51.8	0.86	75.5	1.26	77.0	1.28
	<b>185</b>	16	17.1	0.28	19.5	0.32	34.5	0.58	36.2	0.60	57.7	0.96	59.5	0.99	86.8	1.45	88.5	1.48
	<b>259</b>	12	23.9	0.40	27.2	0.45	48.3	0.81	50.7	0.85	80.8	1.35	83.3	1.39	121.5	2.03	123.9	2.07
	<b>323</b>	9.6	29.8	0.50	34.0	0.57	60.2	1.00	63.3	1.05	100.8	1.68	103.9	1.73	151.5	2.53	154.6	2.58
<b>0.55 kW DT 71 D2</b>	<b>110</b>	34	10.2	0.17	11.6	0.19	20.5	0.34	21.6	0.36	34.3	0.57	35.4	0.59	51.6	0.86	52.6	0.88
	<b>138</b>	29	12.7	0.21	14.5	0.24	25.7	0.43	27.0	0.45	43.1	0.72	44.4	0.74	64.7	1.08	66.0	1.10
	<b>164</b>	25	15.1	0.25	17.3	0.29	30.6	0.51	32.1	0.54	51.2	0.85	52.7	0.88	76.9	1.28	78.5	1.31
	<b>188</b>	23	17.4	0.29	19.8	0.33	35.1	0.58	36.8	0.61	58.7	0.98	60.4	1.01	88.2	1.47	90.0	1.50
	<b>263</b>	17	24.3	0.40	27.7	0.46	49.1	0.82	51.5	0.86	82.1	1.37	84.6	1.41	123.4	2.06	125.9	2.10
	<b>329</b>	14	30.4	0.51	34.6	0.58	61.4	1.02	64.5	1.07	102.7	1.71	105.8	1.76	154.3	2.57	157.4	2.62

All values are designed for double-ply belts

Geared motor SEW - WA 30			Height of conveyor base frame (mm)															
			30				60				100				150			
			Diameter of rollers (mm)															
Type	rpm	Nm	Ø28		Ø32		Ø58		Ø61		Ø98		Ø101		Ø148		Ø151	
			m/min	m/s	m/min	m/s	m/min	m/s	m/min	m/s	m/min	m/s	m/min	m/s	m/min	m/s	m/min	m/s
0.12 kW DR 63 M6	12	40	1.1	0.02	1.3	0.02	2.2	0.04	2.4	0.04	3.7	0.06	3.9	0.06	5.6	0.09	5.7	0.10
	15	38	1.4	0.02	1.6	0.03	2.8	0.05	2.9	0.05	4.7	0.08	4.8	0.08	7.0	0.12	7.2	0.12
	28	25	2.6	0.04	2.9	0.05	5.2	0.09	5.5	0.09	8.7	0.15	9.0	0.15	13.1	0.22	13.4	0.22
	33	24	3.0	0.05	3.5	0.06	6.2	0.10	6.5	0.11	10.3	0.17	10.6	0.18	15.5	0.26	15.8	0.26
0.12 kW DR 63 S4	18	28	1.7	0.03	1.9	0.03	3.4	0.06	3.5	0.06	5.6	0.09	5.8	0.10	8.4	0.14	8.6	0.14
	23	26	2.1	0.04	2.4	0.04	4.3	0.07	4.5	0.08	7.2	0.12	7.4	0.12	10.8	0.18	11.0	0.18
	29	23	2.7	0.04	3.1	0.05	5.4	0.09	5.7	0.09	9.1	0.15	9.3	0.16	13.6	0.23	13.9	0.23
	35	21	3.2	0.05	3.7	0.06	6.5	0.11	6.9	0.11	10.9	0.18	11.3	0.19	16.4	0.27	16.7	0.28
	42	17	3.9	0.06	4.4	0.07	7.8	0.13	8.2	0.14	13.1	0.22	13.5	0.23	19.7	0.33	20.1	0.33
0.18 kW DR 63 L6	12	62	1.1	0.02	1.3	0.02	2.2	0.04	2.4	0.04	3.7	0.06	3.9	0.06	5.6	0.09	5.7	0.10
	15	58	1.4	0.02	1.6	0.03	2.8	0.05	2.9	0.05	4.7	0.08	4.8	0.08	7.0	0.12	7.2	0.12
	27	39	2.5	0.04	2.8	0.05	5.0	0.08	5.3	0.09	8.4	0.14	8.7	0.14	12.7	0.21	12.9	0.22
	32	37	3.0	0.05	3.4	0.06	6.0	0.10	6.3	0.10	10.0	0.17	10.3	0.17	15.0	0.25	15.3	0.26
0.18 kW DR 63 M4	18	44	1.7	0.03	1.9	0.03	3.4	0.06	3.5	0.06	5.6	0.09	5.8	0.10	8.4	0.14	8.6	0.14
	22	40	2.0	0.03	2.3	0.04	4.1	0.07	4.3	0.07	6.9	0.11	7.1	0.12	10.3	0.17	10.5	0.18
	28	35	2.6	0.04	2.9	0.05	5.2	0.09	5.5	0.09	8.7	0.15	9.0	0.15	13.1	0.22	13.4	0.22
	34	32	3.1	0.05	3.6	0.06	6.3	0.11	6.7	0.11	10.6	0.18	10.9	0.18	15.9	0.27	16.3	0.27
	41	27	3.8	0.06	4.3	0.07	7.6	0.13	8.0	0.13	12.8	0.21	13.2	0.22	19.2	0.32	19.6	0.33
	48	25	4.4	0.07	5.0	0.08	9.0	0.15	9.4	0.16	15.0	0.25	15.4	0.26	22.5	0.38	23.0	0.38
	54	23	5.0	0.08	5.7	0.09	10.1	0.17	10.6	0.18	16.9	0.28	17.4	0.29	25.3	0.42	25.8	0.43
0.18 kW DR 63 S2	111	12	10.2	0.17	11.7	0.19	20.7	0.35	21.7	0.36	34.6	0.58	35.7	0.59	52.1	0.87	53.1	0.89
	139	9.9	12.8	0.21	14.6	0.24	25.9	0.43	27.2	0.45	43.4	0.72	44.7	0.74	65.2	1.09	66.5	1.11
	167	8.5	15.4	0.26	17.6	0.29	31.1	0.52	32.7	0.55	52.1	0.87	53.7	0.89	78.3	1.31	79.9	1.33
	190	7.7	17.5	0.29	20.0	0.33	35.4	0.59	37.2	0.62	59.3	0.99	61.1	1.02	89.1	1.49	90.9	1.52
	265	5.7	24.5	0.41	27.9	0.46	49.4	0.82	51.9	0.87	82.7	1.38	85.2	1.42	124.3	2.07	126.8	2.11
	332	4.7	30.6	0.51	34.9	0.58	61.9	1.03	65.1	1.08	103.6	1.73	106.7	1.78	155.7	2.60	158.9	2.65
0.25 kW DT 71 D6	12	86	1.1	0.02	1.3	0.02	2.2	0.04	2.4	0.04	3.7	0.06	3.9	0.06	5.6	0.09	5.7	0.10
	15	80	1.4	0.02	1.6	0.03	2.8	0.05	2.9	0.05	4.7	0.08	4.8	0.08	7.0	0.12	7.2	0.12
	27	53	2.5	0.04	2.8	0.05	5.0	0.08	5.3	0.09	8.4	0.14	8.7	0.14	12.7	0.21	12.9	0.22
	32	50	3.0	0.05	3.4	0.06	6.0	0.10	6.3	0.10	10.0	0.17	10.3	0.17	15.0	0.25	15.3	0.26
	45	40	4.2	0.07	4.7	0.08	8.4	0.14	8.8	0.15	14.0	0.23	14.5	0.24	21.1	0.35	21.5	0.36
0.25 kW DR 63 L4	17	62	1.6	0.03	1.8	0.03	3.2	0.05	3.3	0.06	5.3	0.09	5.5	0.09	8.0	0.13	8.1	0.14
	22	57	2.0	0.03	2.3	0.04	4.1	0.07	4.3	0.07	6.9	0.11	7.1	0.12	10.3	0.17	10.5	0.18
	27	50	2.5	0.04	2.8	0.05	5.0	0.08	5.3	0.09	8.4	0.14	8.7	0.14	12.7	0.21	12.9	0.22
	33	45	3.0	0.05	3.5	0.06	6.2	0.10	6.5	0.11	10.3	0.17	10.6	0.18	15.5	0.26	15.8	0.26
	40	38	3.7	0.06	4.2	0.07	7.5	0.12	7.8	0.13	12.5	0.21	12.9	0.21	18.8	0.31	19.1	0.32
	47	35	4.3	0.07	4.9	0.08	8.8	0.15	9.2	0.15	14.7	0.24	15.1	0.25	22.0	0.37	22.5	0.37
	53	33	4.9	0.08	5.6	0.09	9.9	0.16	10.4	0.17	16.5	0.28	17.0	0.28	24.9	0.41	25.4	0.42
	67	28	6.2	0.10	7.0	0.12	12.5	0.21	13.1	0.22	20.9	0.35	21.5	0.36	31.4	0.52	32.1	0.53
80	24	7.4	0.12	8.4	0.14	14.9	0.25	15.7	0.26	25.0	0.42	25.7	0.43	37.5	0.63	38.3	0.64	
0.25 kW DR 63 M2	109	17	10.1	0.17	11.5	0.19	20.3	0.34	21.4	0.36	34.0	0.57	35.0	0.58	51.1	0.85	52.2	0.87
	136	14	12.6	0.21	14.3	0.24	25.4	0.42	26.6	0.44	42.4	0.71	43.7	0.73	63.8	1.06	65.1	1.08
	163	12	15.0	0.25	17.1	0.29	30.4	0.51	31.9	0.53	50.9	0.85	52.4	0.87	76.5	1.27	78.0	1.30
	186	11	17.2	0.29	19.6	0.33	34.7	0.58	36.4	0.61	58.1	0.97	59.8	1.00	87.3	1.45	89.0	1.48
	260	8.1	24.0	0.40	27.3	0.46	48.5	0.81	50.9	0.85	81.2	1.35	83.6	1.39	122.0	2.03	124.4	2.07
	324	6.6	29.9	0.50	34.1	0.57	60.4	1.01	63.5	1.06	101.1	1.69	104.2	1.74	152.0	2.53	155.0	2.58
0.37 kW DT 71 D4	18	86	1.7	0.03	1.9	0.03	3.4	0.06	3.5	0.06	5.6	0.09	5.8	0.10	8.4	0.14	8.6	0.14
	23	80	2.1	0.04	2.4	0.04	4.3	0.07	4.5	0.08	7.2	0.12	7.4	0.12	10.8	0.18	11.0	0.18
	29	69	2.7	0.04	3.1	0.05	5.4	0.09	5.7	0.09	9.1	0.15	9.3	0.16	13.6	0.23	13.9	0.23
	35	63	3.2	0.05	3.7	0.06	6.5	0.11	6.9	0.11	10.9	0.18	11.3	0.19	16.4	0.27	16.7	0.28
	42	53	3.9	0.06	4.4	0.07	7.8	0.13	8.2	0.14	13.1	0.22	13.5	0.23	19.7	0.33	20.1	0.33
	50	49	4.6	0.08	5.3	0.09	9.3	0.16	9.8	0.16	15.6	0.26	16.1	0.27	23.5	0.39	23.9	0.40
	56	46	5.2	0.09	5.9	0.10	10.4	0.17	11.0	0.18	17.5	0.29	18.0	0.30	26.3	0.44	26.8	0.45
	71	39	6.6	0.11	7.5	0.12	13.2	0.22	13.9	0.23	22.2	0.37	22.8	0.38	33.3	0.56	34.0	0.57
	84	33	7.8	0.13	8.8	0.15	15.7	0.26	16.5	0.27	26.2	0.44	27.0	0.45	39.4	0.66	40.2	0.67
	96	30	8.9	0.15	10.1	0.17	17.9	0.30	18.8	0.31	30.0	0.50	30.9	0.51	45.0	0.75	45.9	0.77
	135	23	12.5	0.21	14.2	0.24	25.2	0.42	26.5	0.44	42.1	0.70	43.4	0.72	63.3	1.06	64.6	1.08
	168	19	15.5	0.26	17.7	0.29	31.3	0.52	32.9	0.55	52.4	0.87	54.0	0.90	78.8	1.31	80.4	1.34

All values are designed for double-ply belts

Geared motor SEW - WA 30			Height of conveyor base frame (mm)															
			30				60				100				150			
			Diameter of rollers (mm)															
Type	rpm	Nm	Ø28		Ø32		Ø58		Ø61		Ø98		Ø101		Ø148		Ø151	
			m/min	m/s	m/min	m/s	m/min	m/s	m/min	m/s	m/min	m/s	m/min	m/s	m/min	m/s	m/min	m/s
<b>0.37 kW</b> DR 63 L2	<b>108</b>	25	10.0	0.17	11.4	0.19	20.1	0.34	21.2	0.35	33.7	0.56	34.7	0.58	50.7	0.84	51.7	0.86
	<b>136</b>	21	12.6	0.21	14.3	0.24	25.4	0.42	26.6	0.44	42.4	0.71	43.7	0.73	63.8	1.06	65.1	1.08
	<b>162</b>	18	15.0	0.25	17.0	0.28	30.2	0.50	31.7	0.53	50.6	0.84	52.1	0.87	76.0	1.27	77.5	1.29
	<b>185</b>	16	17.1	0.28	19.5	0.32	34.5	0.58	36.2	0.60	57.7	0.96	59.5	0.99	86.8	1.45	88.5	1.48
	<b>259</b>	12	23.9	0.40	27.2	0.45	48.3	0.81	50.7	0.85	80.8	1.35	83.3	1.39	121.5	2.03	123.9	2.07
	<b>323</b>	9.9	29.8	0.50	34.0	0.57	60.2	1.00	63.3	1.05	100.8	1.68	103.9	1.73	151.5	2.53	154.6	2.58
<b>0.55 kW</b> DT 80 K4	<b>49</b>	74	4.5	0.08	5.2	0.09	9.1	0.15	9.6	0.16	15.3	0.25	15.8	0.26	23.0	0.38	23.4	0.39
	<b>56</b>	69	5.2	0.09	5.9	0.10	10.4	0.17	11.0	0.18	17.5	0.29	18.0	0.30	26.3	0.44	26.8	0.45
	<b>83</b>	50	7.7	0.13	8.7	0.15	15.5	0.26	16.3	0.27	25.9	0.43	26.7	0.44	38.9	0.65	39.7	0.66
	<b>95</b>	46	8.8	0.15	10.0	0.17	17.7	0.30	18.6	0.31	29.7	0.49	30.5	0.51	44.6	0.74	45.5	0.76
<b>0.55 kW</b> DT 71 D2	<b>110</b>	36	10.2	0.17	11.6	0.19	20.5	0.34	21.6	0.36	34.3	0.57	35.4	0.59	51.6	0.86	52.6	0.88
	<b>138</b>	31	12.7	0.21	14.5	0.24	25.7	0.43	27.0	0.45	43.1	0.72	44.4	0.74	64.7	1.08	66.0	1.10
	<b>165</b>	26	15.2	0.25	17.4	0.29	30.8	0.51	32.3	0.54	51.5	0.86	53.1	0.88	77.4	1.29	79.0	1.32
	<b>188</b>	24	17.4	0.29	19.8	0.33	35.1	0.58	36.8	0.61	58.7	0.98	60.4	1.01	88.2	1.47	90.0	1.50
	<b>263</b>	18	24.3	0.40	27.7	0.46	49.1	0.82	51.5	0.86	82.1	1.37	84.6	1.41	123.4	2.06	125.9	2.10
	<b>329</b>	14	30.4	0.51	34.6	0.58	61.4	1.02	64.5	1.07	102.7	1.71	105.8	1.76	154.3	2.57	157.4	2.62
<b>0.75 kW</b> DT 80 N4	<b>84</b>	68	7.8	0.13	8.8	0.15	15.7	0.26	16.5	0.27	26.2	0.44	27.0	0.45	39.4	0.66	40.2	0.67
	<b>96</b>	61	8.9	0.15	10.1	0.17	17.9	0.30	18.8	0.31	30.0	0.50	30.9	0.51	45.0	0.75	45.9	0.77
	<b>135</b>	46	12.5	0.21	14.2	0.24	25.2	0.42	26.5	0.44	42.1	0.70	43.4	0.72	63.3	1.06	64.6	1.08
	<b>168</b>	38	15.5	0.26	17.7	0.29	31.3	0.52	32.9	0.55	52.4	0.87	54.0	0.90	78.8	1.31	80.4	1.34
<b>0.75 kW</b> DT 80 K2	<b>98</b>	53	9.0	0.15	10.3	0.17	18.3	0.30	19.2	0.32	30.6	0.51	31.5	0.53	46.0	0.77	46.9	0.78
	<b>110</b>	49	10.2	0.17	11.6	0.19	20.5	0.34	21.6	0.36	34.3	0.57	35.4	0.59	51.6	0.86	52.6	0.88
	<b>165</b>	36	15.2	0.25	17.4	0.29	30.8	0.51	32.3	0.54	51.5	0.86	53.1	0.88	77.4	1.29	79.0	1.32
	<b>188</b>	32	17.4	0.29	19.8	0.33	35.1	0.58	36.8	0.61	58.7	0.98	60.4	1.01	88.2	1.47	90.0	1.50
	<b>263</b>	24	24.3	0.40	27.7	0.46	49.1	0.82	51.5	0.86	82.1	1.37	84.6	1.41	123.4	2.06	125.9	2.10
	<b>329</b>	20	30.4	0.51	34.6	0.58	61.4	1.02	64.5	1.07	102.7	1.71	105.8	1.76	154.3	2.57	157.4	2.62
<b>1.10 kW</b> DT 80 N2	<b>98</b>	78	9.0	0.15	10.3	0.17	18.3	0.30	19.2	0.32	30.6	0.51	31.5	0.53	46.0	0.77	46.9	0.78
	<b>110</b>	72	10.2	0.17	11.6	0.19	20.5	0.34	21.6	0.36	34.3	0.57	35.4	0.59	51.6	0.86	52.6	0.88
	<b>165</b>	52	15.2	0.25	17.4	0.29	30.8	0.51	32.3	0.54	51.5	0.86	53.1	0.88	77.4	1.29	79.0	1.32
	<b>188</b>	47	17.4	0.29	19.8	0.33	35.1	0.58	36.8	0.61	58.7	0.98	60.4	1.01	88.2	1.47	90.0	1.50
	<b>263</b>	35	24.3	0.40	27.7	0.46	49.1	0.82	51.5	0.86	82.1	1.37	84.6	1.41	123.4	2.06	125.9	2.10
	<b>329</b>	29	30.4	0.51	34.6	0.58	61.4	1.02	64.5	1.07	102.7	1.71	105.8	1.76	154.3	2.57	157.4	2.62

All values are designed for double-ply belts

Geared motor Bauer - BS 03			Height of conveyor base frame (mm)															
			30				60				100				150			
			Diameter of rollers (mm)															
Type	rpm	Nm	Ø28		Ø32		Ø58		Ø61		Ø98		Ø101		Ø148		Ø151	
			m/min	m/s	m/min	m/s	m/min	m/s	m/min	m/s	m/min	m/s	m/min	m/s	m/min	m/s	m/min	m/s
<b>0.12 kW</b> D05 LA4	<b>18</b>	32	1.7	0.03	1.9	0.03	3.4	0.06	3.5	0.06	5.6	0.09	5.8	0.10	8.4	0.14	8.6	0.14
	<b>22</b>	27.5	2.0	0.03	2.3	0.04	4.1	0.07	4.3	0.07	6.9	0.11	7.1	0.12	10.3	0.17	10.5	0.18
	<b>27</b>	24.5	2.5	0.04	2.8	0.05	5.0	0.08	5.3	0.09	8.4	0.14	8.7	0.14	12.7	0.21	12.9	0.22
	<b>35</b>	20.5	3.2	0.05	3.7	0.06	6.5	0.11	6.9	0.11	10.9	0.18	11.3	0.19	16.4	0.27	16.7	0.28
	<b>41</b>	17	3.8	0.06	4.3	0.07	7.6	0.13	8.0	0.13	12.8	0.21	13.2	0.22	19.2	0.32	19.6	0.33
<b>0.18 kW</b> D05 LA4	<b>18</b>	48.5	1.7	0.03	1.9	0.03	3.4	0.06	3.5	0.06	5.6	0.09	5.8	0.10	8.4	0.14	8.6	0.14
	<b>22</b>	41	2.0	0.03	2.3	0.04	4.1	0.07	4.3	0.07	6.9	0.11	7.1	0.12	10.3	0.17	10.5	0.18
	<b>27</b>	36.5	2.5	0.04	2.8	0.05	5.0	0.08	5.3	0.09	8.4	0.14	8.7	0.14	12.7	0.21	12.9	0.22
	<b>35</b>	31	3.2	0.05	3.7	0.06	6.5	0.11	6.9	0.11	10.9	0.18	11.3	0.19	16.4	0.27	16.7	0.28
	<b>41</b>	25.5	3.8	0.06	4.3	0.07	7.6	0.13	8.0	0.13	12.8	0.21	13.2	0.22	19.2	0.32	19.6	0.33
	<b>54</b>	21.5	5.0	0.08	5.7	0.09	10.1	0.17	10.6	0.18	16.9	0.28	17.4	0.29	25.3	0.42	25.8	0.43
	<b>72</b>	18.1	6.6	0.11	7.6	0.13	13.4	0.22	14.1	0.24	22.5	0.37	23.2	0.39	33.8	0.56	34.5	0.57
<b>0.25 kW</b> D05 LA4	<b>22</b>	57	2.0	0.03	2.3	0.04	4.1	0.07	4.3	0.07	6.9	0.11	7.1	0.12	10.3	0.17	10.5	0.18
	<b>27</b>	51	2.5	0.04	2.8	0.05	5.0	0.08	5.3	0.09	8.4	0.14	8.7	0.14	12.7	0.21	12.9	0.22
	<b>35</b>	43.5	3.2	0.05	3.7	0.06	6.5	0.11	6.9	0.11	10.9	0.18	11.3	0.19	16.4	0.27	16.7	0.28
	<b>41</b>	35.5	3.8	0.06	4.3	0.07	7.6	0.13	8.0	0.13	12.8	0.21	13.2	0.22	19.2	0.32	19.6	0.33
	<b>54</b>	30.5	5.0	0.08	5.7	0.09	10.1	0.17	10.6	0.18	16.9	0.28	17.4	0.29	25.3	0.42	25.8	0.43
	<b>72</b>	25	6.6	0.11	7.6	0.13	13.4	0.22	14.1	0.24	22.5	0.37	23.2	0.39	33.8	0.56	34.5	0.57
	<b>100</b>	18.6	9.2	0.15	10.5	0.18	18.7	0.31	19.6	0.33	31.2	0.52	32.2	0.54	46.9	0.78	47.9	0.80

All values are designed for double-ply belts

Geared motor Bonfiglioli VF 30			Height of conveyor base frame (mm)																
			30				60				100				150				
			Diameter of rollers (mm)																
Type	rpm	Nm	Ø28		Ø32		Ø58		Ø61		Ø98		Ø101		Ø148		Ø151		
			m/min	m/s	m/min	m/s	m/min	m/s	m/min	m/s	m/min	m/s	m/min	m/s	m/min	m/s	m/min	m/s	
<b>0.09 kW BN 63A 6</b>	<b>21</b>	23.0	1.9	0.03	2.2	0.04	3.9	0.07	4.1	0.07	6.6	0.11	6.8	0.11	9.9	0.16	10.0	0.17	
	<b>28</b>	19.0	2.6	0.04	2.9	0.05	5.2	0.09	5.5	0.09	8.7	0.15	9.0	0.15	13.1	0.22	13.4	0.22	
	<b>42</b>	14.0	3.9	0.06	4.4	0.07	7.8	0.13	8.2	0.14	13.1	0.22	13.5	0.23	19.7	0.33	20.1	0.33	
	<b>56</b>	11.0	5.2	0.09	5.9	0.10	10.4	0.17	11.0	0.18	17.5	0.29	18.0	0.30	26.3	0.44	26.8	0.45	
	<b>84</b>	8.0	7.8	0.13	8.8	0.15	15.7	0.26	16.5	0.27	26.2	0.44	27.0	0.45	39.4	0.66	40.2	0.67	
	<b>120</b>	6.0	11.1	0.18	12.6	0.21	22.4	0.37	23.5	0.39	37.5	0.62	38.6	0.64	56.3	0.94	57.4	0.96	
<b>0.09 kW BN 56B 4</b>	<b>23</b>	19.0	2.1	0.04	2.4	0.04	4.3	0.07	4.5	0.08	7.2	0.12	7.4	0.12	10.8	0.18	11.0	0.18	
	<b>35</b>	15.0	3.2	0.05	3.6	0.06	6.4	0.11	6.8	0.11	10.8	0.18	11.1	0.18	16.2	0.27	16.5	0.28	
	<b>46</b>	12.0	4.2	0.07	4.8	0.08	8.6	0.14	9.0	0.15	14.4	0.24	14.8	0.25	21.6	0.36	22.0	0.37	
	<b>69</b>	9.0	6.4	0.11	7.3	0.12	12.9	0.21	13.5	0.23	21.5	0.36	22.2	0.37	32.4	0.54	33.0	0.55	
	<b>92</b>	7.0	8.5	0.14	9.7	0.16	17.2	0.29	18.0	0.30	28.7	0.48	29.6	0.49	43.2	0.72	44.0	0.73	
	<b>138</b>	5.0	12.7	0.21	14.5	0.24	25.7	0.43	27.0	0.45	43.1	0.72	44.4	0.74	64.7	1.08	66.0	1.10	
<b>0.09 kW BN 56A 2</b>	<b>46</b>	11.0	4.2	0.07	4.8	0.08	8.5	0.14	8.9	0.15	14.3	0.24	14.7	0.24	21.4	0.36	21.9	0.36	
	<b>69</b>	8.0	6.3	0.11	7.2	0.12	12.8	0.21	13.4	0.22	21.4	0.36	22.0	0.37	32.1	0.54	32.8	0.55	
	<b>91</b>	7.0	8.4	0.14	9.6	0.16	17.0	0.28	17.9	0.30	28.5	0.48	29.4	0.49	42.8	0.71	43.7	0.73	
	<b>137</b>	5.0	12.6	0.21	14.4	0.24	25.6	0.43	26.8	0.45	42.8	0.71	44.1	0.73	64.3	1.07	65.6	1.09	
	<b>183</b>	4.0	16.9	0.28	19.2	0.32	34.1	0.57	35.8	0.60	57.0	0.95	58.7	0.98	85.7	1.43	87.4	1.46	
	<b>274</b>	3.0	25.3	0.42	28.8	0.48	51.1	0.85	53.7	0.89	85.5	1.43	88.1	1.47	128.5	2.14	131.1	2.19	
<b>0.12 kW BN 63B 6</b>	<b>28</b>	25.0	2.6	0.04	2.9	0.05	5.2	0.09	5.4	0.09	8.6	0.14	8.9	0.15	13.0	0.22	13.2	0.22	
	<b>42</b>	19.0	3.8	0.06	4.4	0.07	7.7	0.13	8.1	0.14	13.0	0.22	13.3	0.22	19.5	0.32	19.9	0.33	
	<b>55</b>	15.0	5.1	0.09	5.8	0.10	10.3	0.17	10.8	0.18	17.3	0.29	17.8	0.30	26.0	0.43	26.5	0.44	
	<b>83</b>	11.0	7.7	0.13	8.7	0.15	15.5	0.26	16.3	0.27	25.9	0.43	26.7	0.44	38.9	0.65	39.7	0.66	
	<b>119</b>	8.0	10.9	0.18	12.5	0.21	22.1	0.37	23.2	0.39	37.0	0.62	38.1	0.64	55.6	0.93	56.7	0.95	
	<b>0.12 kW BN 63A 4</b>	<b>33</b>	21.0	3.0	0.05	3.4	0.06	6.1	0.10	6.4	0.11	10.2	0.17	10.5	0.18	15.4	0.26	15.7	0.26
<b>44</b>		17.0	4.0	0.07	4.6	0.08	8.1	0.14	8.6	0.14	13.6	0.23	14.0	0.23	20.5	0.34	20.9	0.35	
<b>66</b>		13.0	6.0	0.10	6.9	0.11	12.2	0.20	12.8	0.21	20.4	0.34	21.1	0.35	30.7	0.51	31.3	0.52	
<b>87</b>		10.0	8.1	0.13	9.2	0.15	16.3	0.27	17.1	0.29	27.3	0.45	28.1	0.47	41.0	0.68	41.8	0.70	
<b>131</b>		7.0	12.1	0.20	13.8	0.23	24.4	0.41	25.7	0.43	40.9	0.68	42.1	0.70	61.5	1.02	62.7	1.04	
<b>187</b>		5.0	17.3	0.29	19.7	0.33	34.9	0.58	36.7	0.61	58.4	0.97	60.2	1.00	87.8	1.46	89.6	1.49	
<b>0.12 kW BN 56B 2</b>	<b>46</b>	15.0	4.2	0.07	4.8	0.08	8.5	0.14	9.0	0.15	14.3	0.24	14.7	0.25	21.5	0.36	21.9	0.37	
	<b>69</b>	11.0	6.3	0.11	7.2	0.12	12.8	0.21	13.5	0.22	21.5	0.36	22.1	0.37	32.3	0.54	32.9	0.55	
	<b>92</b>	9.0	8.5	0.14	9.6	0.16	17.1	0.28	18.0	0.30	28.6	0.48	29.5	0.49	43.0	0.72	43.9	0.73	
	<b>138</b>	7.0	12.7	0.21	14.5	0.24	25.6	0.43	26.9	0.45	42.9	0.72	44.2	0.74	64.5	1.08	65.8	1.10	
	<b>183</b>	5.0	16.9	0.28	19.3	0.32	34.2	0.57	35.9	0.60	57.2	0.95	58.9	0.98	86.0	1.43	87.7	1.46	
	<b>275</b>	4.0	25.4	0.42	28.9	0.48	51.3	0.85	53.9	0.90	85.8	1.43	88.4	1.47	129.0	2.15	131.6	2.19	
<b>0.18 kW BN 71A 6</b>	<b>60</b>	19.0	5.5	0.09	6.3	0.10	11.1	0.19	11.7	0.19	18.6	0.31	19.2	0.32	28.0	0.47	28.6	0.48	
	<b>90</b>	15.0	8.3	0.14	9.4	0.16	16.7	0.28	17.5	0.29	27.9	0.47	28.8	0.48	42.0	0.70	42.8	0.71	
	<b>128</b>	10.0	11.8	0.20	13.4	0.22	23.8	0.40	25.1	0.42	39.9	0.67	41.1	0.69	60.0	1.00	61.2	1.02	
	<b>0.18 kW BN 63B 4</b>	<b>66</b>	19.0	6.1	0.10	6.9	0.12	12.3	0.21	12.9	0.22	20.6	0.34	21.2	0.35	31.0	0.52	31.6	0.53
		<b>88</b>	15.0	8.1	0.14	9.3	0.15	16.4	0.27	17.2	0.29	27.5	0.46	28.3	0.47	41.3	0.69	42.1	0.70
		<b>132</b>	11.0	12.2	0.20	13.9	0.23	24.6	0.41	25.9	0.43	41.2	0.69	42.4	0.71	61.9	1.03	63.2	1.05
<b>189</b>		8.0	17.4	0.29	19.8	0.33	35.2	0.59	36.9	0.62	58.9	0.98	60.6	1.01	88.5	1.47	90.2	1.50	
<b>0.18 kW BN 63A 2</b>	<b>92</b>	13.0	8.5	0.14	9.6	0.16	17.1	0.28	18.0	0.30	28.6	0.48	29.5	0.49	43.0	0.72	43.9	0.73	
	<b>138</b>	10.0	12.7	0.21	14.5	0.24	25.6	0.43	26.9	0.45	42.9	0.72	44.2	0.74	64.5	1.08	65.8	1.10	
	<b>183</b>	8.0	16.9	0.28	19.3	0.32	34.2	0.57	35.9	0.60	57.2	0.95	58.9	0.98	86.0	1.43	87.7	1.46	
	<b>275</b>	5.0	25.4	0.42	28.9	0.48	51.3	0.85	53.9	0.90	85.8	1.43	88.4	1.47	129.0	2.15	131.6	2.19	
<b>0.25 kW BN 71A 4</b>	<b>393</b>	4.0	36.3	0.60	41.3	0.69	73.3	1.22	77.0	1.28	122.6	2.04	126.3	2.11	184.3	3.07	188.0	3.13	
	<b>92</b>	20.0	8.5	0.14	9.6	0.16	17.1	0.28	18.0	0.30	28.6	0.48	29.5	0.49	43.0	0.72	43.9	0.73	
	<b>138</b>	14.0	12.7	0.21	14.5	0.24	25.6	0.43	26.9	0.45	42.9	0.72	44.2	0.74	64.5	1.08	65.8	1.10	
<b>0.25 kW BN 63B 2</b>	<b>196</b>	10.0	18.1	0.30	20.7	0.34	36.6	0.61	38.5	0.64	61.3	1.02	63.2	1.05	92.1	1.54	94.0	1.57	
	<b>135</b>	14.0	12.5	0.21	14.2	0.24	25.2	0.42	26.5	0.44	42.1	0.70	43.4	0.72	63.3	1.06	64.6	1.08	
	<b>180</b>	11.0	16.6	0.28	18.9	0.32	33.6	0.56	35.3	0.59	56.2	0.94	57.9	0.96	84.4	1.41	86.1	1.44	
	<b>270</b>	8.0	24.9	0.42	28.4	0.47	50.4	0.84	52.9	0.88	84.3	1.40	86.8	1.45	126.7	2.11	129.2	2.15	
<b>386</b>	5.0	35.6	0.59	40.6	0.68	71.9	1.20	75.6	1.26	120.4	2.01	124.0	2.07	180.9	3.02	184.6	3.08		

All values are designed for double-ply belts

Geared motor Bonfiglioli VF 44			Height of conveyor base frame (mm)															
			30				60				100				150			
			Diameter of rollers (mm)															
Type	rpm	Nm	Ø28		Ø32		Ø58		Ø61		Ø98		Ø101		Ø148		Ø151	
			m/min	m/s	m/min	m/s	m/min	m/s	m/min	m/s	m/min	m/s	m/min	m/s	m/min	m/s	m/min	m/s
<b>0.12 kW BN 63B 6</b>	14	45.0	1.3	0.02	1.5	0.02	2.6	0.04	2.7	0.05	4.3	0.07	4.5	0.07	6.5	0.11	6.6	0.11
	18	37.0	1.7	0.03	1.9	0.03	3.4	0.06	3.5	0.06	5.6	0.09	5.8	0.10	8.5	0.14	8.6	0.14
	24	31.0	2.2	0.04	2.5	0.04	4.4	0.07	4.6	0.08	7.4	0.12	7.6	0.13	11.1	0.19	11.3	0.19
	30	26.0	2.7	0.05	3.1	0.05	5.5	0.09	5.8	0.10	9.3	0.15	9.5	0.16	13.9	0.23	14.2	0.24
	42	20.0	3.8	0.06	4.4	0.07	7.7	0.13	8.1	0.14	13.0	0.22	13.3	0.22	19.5	0.32	19.9	0.33
	59	15.0	5.5	0.09	6.2	0.10	11.1	0.18	11.6	0.19	18.5	0.31	19.1	0.32	27.8	0.46	28.4	0.47
	83	11.0	7.7	0.13	8.7	0.15	15.5	0.26	16.3	0.27	25.9	0.43	26.7	0.44	38.9	0.65	39.7	0.66
	119	8.0	10.9	0.18	12.5	0.21	22.1	0.37	23.2	0.39	37.0	0.62	38.1	0.64	55.6	0.93	56.7	0.95
<b>0.12 kW BN 63A 4</b>	19	34.0	1.7	0.03	2.0	0.03	3.5	0.06	3.7	0.06	5.8	0.10	6.0	0.10	8.8	0.15	9.0	0.15
	22	30.0	2.0	0.03	2.3	0.04	4.1	0.07	4.3	0.07	6.8	0.11	7.0	0.12	10.2	0.17	10.4	0.17
	28	25.0	2.6	0.04	3.0	0.05	5.3	0.09	5.6	0.09	8.9	0.15	9.2	0.15	13.4	0.22	13.6	0.23
	37	21.0	3.5	0.06	3.9	0.07	7.0	0.12	7.3	0.12	11.7	0.19	12.0	0.20	17.6	0.29	17.9	0.30
	47	17.0	4.3	0.07	4.9	0.08	8.7	0.15	9.2	0.15	14.6	0.24	15.0	0.25	21.9	0.37	22.4	0.37
	66	13.0	6.0	0.10	6.9	0.11	12.2	0.20	12.8	0.21	20.4	0.34	21.1	0.35	30.7	0.51	31.3	0.52
	94	10.0	8.6	0.14	9.8	0.16	17.5	0.29	18.3	0.31	29.2	0.49	30.1	0.50	43.9	0.73	44.8	0.75
	131	7.0	12.1	0.20	13.8	0.23	24.4	0.41	25.7	0.43	40.9	0.68	42.1	0.70	61.5	1.02	62.7	1.04
187	5.0	17.3	0.29	19.7	0.33	34.9	0.58	36.7	0.61	58.4	0.97	60.2	1.00	87.8	1.46	89.6	1.49	
<b>0.12 kW BN 56B 2</b>	28	23.0	2.5	0.04	2.9	0.05	5.1	0.09	5.4	0.09	8.6	0.14	8.8	0.15	12.9	0.22	13.2	0.22
	39	18.0	3.6	0.06	4.1	0.07	7.3	0.12	7.7	0.13	12.3	0.20	12.6	0.21	18.4	0.31	18.8	0.31
	46	16.0	4.2	0.07	4.8	0.08	8.5	0.14	9.0	0.15	14.3	0.24	14.7	0.25	21.5	0.36	21.9	0.37
	60	13.0	5.5	0.09	6.3	0.10	11.1	0.19	11.7	0.20	18.7	0.31	19.2	0.32	28.0	0.47	28.6	0.48
	79	11.0	7.3	0.12	8.3	0.14	14.7	0.24	15.4	0.26	24.5	0.41	25.3	0.42	36.9	0.61	37.6	0.63
	98	9.0	9.1	0.15	10.3	0.17	18.3	0.31	19.2	0.32	30.7	0.51	31.6	0.53	46.1	0.77	47.0	0.78
	138	7.0	12.7	0.21	14.5	0.24	25.6	0.43	26.9	0.45	42.9	0.72	44.2	0.74	64.5	1.08	65.8	1.10
	196	5.0	18.1	0.30	20.7	0.34	36.6	0.61	38.5	0.64	61.3	1.02	63.2	1.05	92.1	1.54	94.0	1.57
275	4.0	25.4	0.42	28.9	0.48	51.3	0.85	53.9	0.90	85.8	1.43	88.4	1.47	129.0	2.15	131.6	2.19	
393	3.0	36.3	0.60	41.3	0.69	73.3	1.22	77.0	1.28	122.6	2.04	126.3	2.11	184.3	3.07	188.0	3.13	
<b>0.18 kW BN 71A 6</b>	19	52.0	1.8	0.03	2.0	0.03	3.6	0.06	3.8	0.06	6.1	0.10	6.3	0.10	9.1	0.15	9.3	0.16
	26	43.0	2.4	0.04	2.7	0.04	4.8	0.08	5.0	0.08	8.0	0.13	8.2	0.14	12.0	0.20	12.2	0.20
	32	36.0	3.0	0.05	3.4	0.06	6.0	0.10	6.3	0.10	10.0	0.17	10.3	0.17	15.0	0.25	15.3	0.25
	45	28.0	4.1	0.07	4.7	0.08	8.3	0.14	8.8	0.15	14.0	0.23	14.4	0.24	21.0	0.35	21.4	0.36
	64	21.0	5.9	0.10	6.7	0.11	11.9	0.20	12.5	0.21	20.0	0.33	20.6	0.34	30.0	0.50	30.6	0.51
	90	16.0	8.3	0.14	9.4	0.16	16.7	0.28	17.5	0.29	27.9	0.47	28.8	0.48	42.0	0.70	42.8	0.71
	128	11.0	11.8	0.20	13.4	0.22	23.8	0.40	25.1	0.42	39.9	0.67	41.1	0.69	60.0	1.00	61.2	1.02
<b>0.18 kW BN 63B 4</b>	29	38.0	2.6	0.04	3.0	0.05	5.4	0.09	5.6	0.09	9.0	0.15	9.2	0.15	13.5	0.22	13.7	0.23
	38	31.0	3.5	0.06	4.0	0.07	7.0	0.12	7.4	0.12	11.8	0.20	12.1	0.20	17.7	0.29	18.0	0.30
	47	26.0	4.4	0.07	5.0	0.08	8.8	0.15	9.2	0.15	14.7	0.25	15.2	0.25	22.1	0.37	22.6	0.38
	66	26.0	6.1	0.10	6.9	0.12	12.3	0.21	12.9	0.22	20.6	0.34	21.2	0.35	31.0	0.52	31.6	0.53
	94	20.0	8.7	0.15	9.9	0.17	17.6	0.29	18.5	0.31	29.4	0.49	30.3	0.51	44.2	0.74	45.1	0.75
	132	15.0	12.2	0.20	13.9	0.23	24.6	0.41	25.9	0.43	41.2	0.69	42.4	0.71	61.9	1.03	63.2	1.05
	189	11.0	17.4	0.29	19.8	0.33	35.2	0.59	36.9	0.62	58.9	0.98	60.6	1.01	88.5	1.47	90.2	1.50
<b>0.18 kW BN 63A 2</b>	46	24.0	4.2	0.07	4.8	0.08	8.5	0.14	9.0	0.15	14.3	0.24	14.7	0.25	21.5	0.36	21.9	0.37
	60	20.0	5.5	0.09	6.3	0.10	11.1	0.19	11.7	0.20	18.7	0.31	19.2	0.32	28.0	0.47	28.6	0.48
	79	16.0	7.3	0.12	8.3	0.14	14.7	0.24	15.4	0.26	24.5	0.41	25.3	0.42	36.9	0.61	37.6	0.63
	98	13.0	9.1	0.15	10.3	0.17	18.3	0.31	19.2	0.32	30.7	0.51	31.6	0.53	46.1	0.77	47.0	0.78
	138	10.0	12.7	0.21	14.5	0.24	25.6	0.43	26.9	0.45	42.9	0.72	44.2	0.74	64.5	1.08	65.8	1.10
	196	7.0	18.1	0.30	20.7	0.34	36.6	0.61	38.5	0.64	61.3	1.02	63.2	1.05	92.1	1.54	94.0	1.57
	275	5.0	25.4	0.42	28.9	0.48	51.3	0.85	53.9	0.90	85.8	1.43	88.4	1.47	129.0	2.15	131.6	2.19
393	4.0	36.3	0.60	41.3	0.69	73.3	1.22	77.0	1.28	122.6	2.04	126.3	2.11	184.3	3.07	188.0	3.13	
<b>0.25 kW BN 71B 6</b>	32	50.0	2.9	0.05	3.3	0.06	5.9	0.10	6.2	0.10	9.9	0.17	10.2	0.17	14.9	0.25	15.2	0.25
	45	40.0	4.1	0.07	4.7	0.08	8.3	0.14	8.7	0.15	13.9	0.23	14.3	0.24	20.9	0.35	21.3	0.35
	64	29.0	5.9	0.10	6.7	0.11	11.9	0.20	12.5	0.21	19.8	0.33	20.4	0.34	29.8	0.50	30.4	0.51
	89	22.0	8.2	0.14	9.4	0.16	16.6	0.28	17.4	0.29	27.8	0.46	28.6	0.48	41.8	0.70	42.6	0.71
	127	16.0	11.7	0.20	13.4	0.22	23.7	0.40	24.9	0.42	39.7	0.66	40.9	0.68	59.6	0.99	60.8	1.01
<b>0.25 kW BN 71A 4</b>	39	41.0	3.6	0.06	4.1	0.07	7.3	0.12	7.7	0.13	12.3	0.20	12.6	0.21	18.4	0.31	18.8	0.31
	49	35.0	4.5	0.08	5.2	0.09	9.2	0.15	9.6	0.16	15.3	0.26	15.8	0.26	23.0	0.38	23.5	0.39
	69	27.0	6.3	0.11	7.2	0.12	12.8	0.21	13.5	0.22	21.5	0.36	22.1	0.37	32.3	0.54	32.9	0.55
	98	20.0	9.1	0.15	10.3	0.17	18.3	0.31	19.2	0.32	30.7	0.51	31.6	0.53	46.1	0.77	47.0	0.78
	138	15.0	12.7	0.21	14.5	0.24	25.6	0.43	26.9	0.45	42.9	0.72	44.2	0.74	64.5	1.08	65.8	1.10
	196	10.0	18.1	0.30	20.7	0.34	36.6	0.61	38.5	0.64	61.3	1.02	63.2	1.05	92.1	1.54	94.0	1.57

All values are designed for double-ply belts



Geared motor Bonfiglioli VF 44			Height of conveyor base frame (mm)															
			30				60				100				150			
			Diameter of rollers (mm)															
Type	rpm	Nm	Ø28		Ø32		Ø58		Ø61		Ø98		Ø101		Ø148		Ø151	
			m/min	m/s	m/min	m/s	m/min	m/s	m/min	m/s	m/min	m/s	m/min	m/s	m/min	m/s	m/min	m/s
<b>0.25 kW BN 63B 2</b>	<b>59</b>	28.0	5.4	0.09	6.2	0.10	10.9	0.18	11.5	0.19	18.3	0.31	18.9	0.31	27.5	0.46	28.1	0.47
	<b>77</b>	23.0	7.1	0.12	8.1	0.14	14.4	0.24	15.1	0.25	24.1	0.40	24.8	0.41	36.2	0.60	36.9	0.62
	<b>96</b>	19.0	8.9	0.15	10.1	0.17	18.0	0.30	18.9	0.31	30.1	0.50	31.0	0.52	45.2	0.75	46.1	0.77
	<b>135</b>	14.0	12.5	0.21	14.2	0.24	25.2	0.42	26.5	0.44	42.1	0.70	43.4	0.72	63.3	1.06	64.6	1.08
	<b>193</b>	10.0	17.8	0.30	20.3	0.34	36.0	0.60	37.8	0.63	60.2	1.00	62.0	1.03	90.5	1.51	92.3	1.54
	<b>270</b>	8.0	24.9	0.42	28.4	0.47	50.4	0.84	52.9	0.88	84.3	1.40	86.8	1.45	126.7	2.11	129.2	2.15
	<b>386</b>	5.0	35.6	0.59	40.6	0.68	71.9	1.20	75.6	1.26	120.4	2.01	124.0	2.07	180.9	3.02	184.6	3.08
<b>0.37 kW BN 80A 6</b>	<b>65</b>	42.0	6.0	0.10	6.8	0.11	12.1	0.20	12.7	0.21	20.3	0.34	20.9	0.35	30.5	0.51	31.1	0.52
	<b>91</b>	32.0	8.4	0.14	9.6	0.16	17.0	0.28	17.8	0.30	28.4	0.47	29.3	0.49	42.7	0.71	43.5	0.73
	<b>130</b>	23.0	12.0	0.20	13.7	0.23	24.2	0.40	25.5	0.42	40.6	0.68	41.8	0.70	61.0	1.02	62.2	1.04
<b>0.37 kW BN 71B 4</b>	<b>69</b>	40.0	6.3	0.11	7.2	0.12	12.8	0.21	13.4	0.22	21.4	0.36	22.0	0.37	32.1	0.54	32.8	0.55
	<b>98</b>	29.0	9.0	0.15	10.3	0.17	18.3	0.30	19.2	0.32	30.5	0.51	31.5	0.52	45.9	0.77	46.8	0.78
	<b>137</b>	22.0	12.6	0.21	14.4	0.24	25.6	0.43	26.8	0.45	42.8	0.71	44.1	0.73	64.3	1.07	65.6	1.09
	<b>196</b>	16.0	18.1	0.30	20.6	0.34	36.5	0.61	38.3	0.64	61.1	1.02	62.9	1.05	91.8	1.53	93.7	1.56
<b>0.37 kW BN 71A 2</b>	<b>100</b>	27.0	9.3	0.15	10.6	0.18	18.7	0.31	19.7	0.33	31.3	0.52	32.3	0.54	47.1	0.78	48.0	0.80
	<b>141</b>	20.0	13.0	0.22	14.8	0.25	26.2	0.44	27.5	0.46	43.9	0.73	45.2	0.75	65.9	1.10	67.2	1.12
	<b>201</b>	15.0	18.5	0.31	21.1	0.35	37.4	0.62	39.3	0.66	62.6	1.04	64.5	1.08	94.2	1.57	96.0	1.60
	<b>281</b>	11.0	25.9	0.43	29.6	0.49	52.4	0.87	55.1	0.92	87.7	1.46	90.4	1.51	131.8	2.20	134.5	2.24
	<b>401</b>	8.0	37.1	0.62	42.2	0.70	74.9	1.25	78.7	1.31	125.3	2.09	129.1	2.15	188.3	3.14	192.1	3.20
<b>0.55 kW BN 71B 2</b>	<b>141</b>	20.0	13.0	0.22	14.8	0.25	26.2	0.44	27.5	0.46	43.9	0.73	45.2	0.75	65.9	1.10	67.2	1.12
	<b>201</b>	15.0	18.5	0.31	21.1	0.35	37.4	0.62	39.3	0.66	62.6	1.04	64.5	1.08	94.2	1.57	96.0	1.60
	<b>281</b>	11.0	25.9	0.43	29.6	0.49	52.4	0.87	55.1	0.92	87.7	1.46	90.4	1.51	131.8	2.20	134.5	2.24
	<b>401</b>	8.0	37.1	0.62	42.2	0.70	74.9	1.25	78.7	1.31	125.3	2.09	129.1	2.15	188.3	3.14	192.1	3.20

All values are designed for double-ply belts

Axial cylinder motor Interroll 80S		Height of conv. base frame (mm)	
		60	
Type	Nm	m/min	m/s
<b>Ø81 mm</b> <b>0.05 kW</b>	17.2	6.0	0.10
	14.3	7.2	0.12
	11.5	9.0	0.15
	10.8	9.6	0.16
	9.6	10.8	0.18
	7.8	13.2	0.22
	7.2	14.4	0.24
	6.4	16.2	0.27
	3.0	36.0	0.60
	2.5	43.2	0.72
2.1	52.8	0.88	
<b>Ø81 mm</b> <b>0.075 kW</b>	21.5	7.2	0.12
	17.2	9.0	0.15
	16.1	9.6	0.16
	14.3	10.8	0.18
	11.7	13.2	0.22
	10.8	14.4	0.24
	9.6	16.2	0.27
	4.6	36.0	0.60
	3.8	43.2	0.72
	3.1	52.8	0.88
<b>Ø81 mm</b> <b>0.085 kW</b>	19.5	9.0	0.15
	18.3	9.6	0.16
	16.3	10.8	0.18
	13.3	13.2	0.22
	12.2	14.4	0.24
	10.8	16.2	0.27
	5.2	36.0	0.60
	4.3	43.2	0.72
	3.5	52.8	0.88

All values are designed for double-ply belts

Axial cylinder motor Interroll 113S		Height of conv. base frame (mm)		
		100		
Type	Nm	m/min	m/s	
<b>Ø113 mm</b> <b>0.04 kW</b>	29.2	4.2	0.07	
	22.9	4.8	0.08	
	17.9	6.6	0.11	
	14.3	8.4	0.14	
	12.4	9.6	0.16	
	31.4	10.2	0.17	
	28.1	11.4	0.19	
	24.6	13.2	0.22	
	19.6	16.2	0.27	
	17.1	18.6	0.31	
	15.3	21.0	0.35	
	<b>Ø113 mm</b> <b>0.11 kW</b>	13.0	25.8	0.43
		11.6	29.4	0.49
10.1		33.6	0.56	
7.8		43.2	0.72	
6.9		48.6	0.81	
6.0		56.4	0.94	
5.3		63.6	1.06	
<b>Ø113 mm</b> <b>0.16 kW</b>	40.9	11.4	0.19	
	35.7	13.2	0.22	
	28.5	16.2	0.27	
	24.9	18.6	0.31	
	22.2	21.0	0.35	
	14.7	33.6	0.56	
	11.4	43.2	0.72	
	10.1	48.6	0.81	
	8.7	56.4	0.94	
	7.7	63.6	1.06	
<b>Ø113 mm</b> <b>0.18 kW</b>	19.5	16.2	0.27	
	18.3	18.6	0.31	
	16.3	21.0	0.35	
	13.3	33.6	0.56	
	12.2	43.2	0.72	
	10.8	48.6	0.81	
	5.2	56.4	0.94	
	4.3	63.6	1.06	

All values are designed for double-ply belts

Geared motor SEW - WA 20			Height of conveyor base frame (mm)															
			30				60				100				150			
			Diameter of rollers (mm)															
Type	rpm	lb-in	Ø28		Ø32		Ø58		Ø61		Ø98		Ø101		Ø148		Ø151	
			m/min	m/s	m/min	m/s	m/min	m/s	m/min	m/s	m/min	m/s	m/min	m/s	m/min	m/s	m/min	m/s
<b>0.25 HP</b> <b>0.18 kW</b> <b>DT 71 K4</b>	<b>23</b>	290	2.1	0.04	2.4	0.04	4.3	0.07	4.5	0.08	7.2	0.12	7.4	0.12	10.8	0.18	11.0	0.18
	<b>28</b>	255	2.6	0.04	2.9	0.05	5.2	0.09	5.5	0.09	8.7	0.15	9.0	0.15	13.1	0.22	13.4	0.22
	<b>35</b>	230	3.2	0.05	3.7	0.06	6.5	0.11	6.9	0.11	10.9	0.18	11.3	0.19	16.4	0.27	16.7	0.28
	<b>44</b>	210	4.1	0.07	4.6	0.08	8.2	0.14	8.6	0.14	13.7	0.23	14.1	0.24	20.6	0.34	21.1	0.35
	<b>52</b>	205	4.8	0.08	5.5	0.09	9.7	0.16	10.2	0.17	16.2	0.27	16.7	0.28	24.4	0.41	24.9	0.41
	<b>62</b>	173	5.7	0.10	6.5	0.11	11.6	0.19	12.1	0.20	19.4	0.32	19.9	0.33	29.1	0.48	29.7	0.49
	<b>69</b>	157	6.4	0.11	7.3	0.12	12.9	0.21	13.5	0.23	21.5	0.36	22.2	0.37	32.4	0.54	33.0	0.55
	<b>87</b>	134	8.0	0.13	9.2	0.15	16.2	0.27	17.0	0.28	27.2	0.45	28.0	0.47	40.8	0.68	41.6	0.69
	<b>103</b>	117	9.5	0.16	10.8	0.18	19.2	0.32	20.2	0.34	32.1	0.54	33.1	0.55	48.3	0.81	49.3	0.82
	<b>119</b>	108	11.0	0.18	12.5	0.21	22.2	0.37	23.3	0.39	37.1	0.62	38.3	0.64	55.8	0.93	56.9	0.95
	<b>166</b>	81	15.3	0.26	17.5	0.29	31.0	0.52	32.5	0.54	51.8	0.86	53.4	0.89	77.9	1.30	79.4	1.32
<b>207</b>	66	19.1	0.32	21.8	0.36	38.6	0.64	40.6	0.68	64.6	1.08	66.6	1.11	97.1	1.62	99.1	1.65	
<b>0.25 HP</b> <b>0.18 kW</b> <b>DR 71 C6 <sup>1)</sup></b>	<b>15</b>	415	1.4	0.02	1.6	0.03	2.8	0.05	2.9	0.05	4.7	0.08	4.8	0.08	7.0	0.12	7.2	0.12
	<b>19</b>	365	1.8	0.03	2.0	0.03	3.5	0.06	3.7	0.06	5.9	0.10	6.1	0.10	8.9	0.15	9.1	0.15
	<b>23</b>	335	2.1	0.04	2.4	0.04	4.3	0.07	4.5	0.08	7.2	0.12	7.4	0.12	10.8	0.18	11.0	0.18
	<b>29</b>	305	2.7	0.04	3.1	0.05	5.4	0.09	5.7	0.09	9.1	0.15	9.3	0.16	13.6	0.23	13.9	0.23
	<b>34</b>	300	3.1	0.05	3.6	0.06	6.3	0.11	6.7	0.11	10.6	0.18	10.9	0.18	15.9	0.27	16.3	0.27
	<b>41</b>	255	3.8	0.06	4.3	0.07	7.6	0.13	8.0	0.13	12.8	0.21	13.2	0.22	19.2	0.32	19.6	0.33
	<b>46</b>	230	4.2	0.07	4.8	0.08	8.6	0.14	9.0	0.15	14.4	0.24	14.8	0.25	21.6	0.36	22.0	0.37
	<b>57</b>	198	5.3	0.09	6.0	0.10	10.6	0.18	11.2	0.19	17.8	0.30	18.3	0.31	26.7	0.45	27.3	0.45
	<b>68</b>	173	6.3	0.10	7.2	0.12	12.7	0.21	13.3	0.22	21.2	0.35	21.9	0.36	31.9	0.53	32.5	0.54
	<b>78</b>	160	7.2	0.12	8.2	0.14	14.5	0.24	15.3	0.25	24.3	0.41	25.1	0.42	36.6	0.61	37.3	0.62
	<b>109</b>	120	10.1	0.17	11.5	0.19	20.3	0.34	21.4	0.36	34.0	0.57	35.0	0.58	51.1	0.85	52.2	0.87
<b>137</b>	99	12.6	0.21	14.4	0.24	25.6	0.43	26.8	0.45	42.8	0.71	44.1	0.73	64.3	1.07	65.6	1.09	
<b>0.33 HP</b> <b>0.25 kW</b> <b>DR 71 C4</b>	<b>23</b>	380	2.1	0.04	2.4	0.04	4.3	0.07	4.5	0.08	7.2	0.12	7.4	0.12	10.8	0.18	11.0	0.18
	<b>29</b>	330	2.7	0.04	3.1	0.05	5.4	0.09	5.7	0.09	9.1	0.15	9.3	0.16	13.6	0.23	13.9	0.23
	<b>36</b>	305	3.3	0.06	3.8	0.06	6.7	0.11	7.1	0.12	11.2	0.19	11.6	0.19	16.9	0.28	17.2	0.29
	<b>44</b>	275	4.1	0.07	4.6	0.08	8.2	0.14	8.6	0.14	13.7	0.23	14.1	0.24	20.6	0.34	21.1	0.35
	<b>70</b>	205	6.5	0.11	7.4	0.12	13.1	0.22	13.7	0.23	21.8	0.36	22.5	0.38	32.8	0.55	33.5	0.56
	<b>88</b>	176	8.1	0.14	9.3	0.15	16.4	0.27	17.2	0.29	27.5	0.46	28.3	0.47	41.3	0.69	42.1	0.70
	<b>104</b>	153	9.6	0.16	10.9	0.18	19.4	0.32	20.4	0.34	32.5	0.54	33.4	0.56	48.8	0.81	49.8	0.83
	<b>120</b>	141	11.1	0.18	12.6	0.21	22.4	0.37	23.5	0.39	37.5	0.62	38.6	0.64	56.3	0.94	57.4	0.96
	<b>168</b>	105	15.5	0.26	17.7	0.29	31.3	0.52	32.9	0.55	52.4	0.87	54.0	0.90	78.8	1.31	80.4	1.34
	<b>210</b>	87	19.4	0.32	22.1	0.37	39.2	0.65	41.1	0.69	65.5	1.09	67.5	1.13	98.5	1.64	100.5	1.67
<b>0.33 HP</b> <b>0.25 kW</b> <b>DR 71 D6 <sup>1)</sup></b>	<b>28</b>	410	2.6	0.04	2.9	0.05	5.2	0.09	5.5	0.09	8.7	0.15	9.0	0.15	13.1	0.22	13.4	0.22
	<b>34</b>	405	3.1	0.05	3.6	0.06	6.3	0.11	6.7	0.11	10.6	0.18	10.9	0.18	15.9	0.27	16.3	0.27
	<b>40</b>	340	3.7	0.06	4.2	0.07	7.5	0.12	7.8	0.13	12.5	0.21	12.9	0.21	18.8	0.31	19.1	0.32
	<b>45</b>	310	4.2	0.07	4.7	0.08	8.4	0.14	8.8	0.15	14.0	0.23	14.5	0.24	21.1	0.35	21.5	0.36
	<b>56</b>	265	5.2	0.09	5.9	0.10	10.4	0.17	11.0	0.18	17.5	0.29	18.0	0.30	26.3	0.44	26.8	0.45
	<b>67</b>	235	6.2	0.10	7.0	0.12	12.5	0.21	13.1	0.22	20.9	0.35	21.5	0.36	31.4	0.52	32.1	0.53
	<b>77</b>	215	7.1	0.12	8.1	0.13	14.4	0.24	15.1	0.25	24.0	0.40	24.8	0.41	36.1	0.60	36.8	0.61
	<b>107</b>	161	9.9	0.16	11.3	0.19	20.0	0.33	21.0	0.35	33.4	0.56	34.4	0.57	50.2	0.84	51.2	0.85
<b>134</b>	133	12.4	0.21	14.1	0.23	25.0	0.42	26.3	0.44	41.8	0.70	43.1	0.72	62.9	1.05	64.1	1.07	
<b>0.50 HP</b> <b>0.37 kW</b> <b>DR 71 D4</b>	<b>44</b>	425	4.1	0.07	4.6	0.08	8.2	0.14	8.6	0.14	13.7	0.23	14.1	0.24	20.6	0.34	21.1	0.35
	<b>52</b>	410	4.8	0.08	5.5	0.09	9.7	0.16	10.2	0.17	16.2	0.27	16.7	0.28	24.4	0.41	24.9	0.41
	<b>62</b>	350	5.7	0.10	6.5	0.11	11.6	0.19	12.1	0.20	19.4	0.32	19.9	0.33	29.1	0.48	29.7	0.49
	<b>69</b>	315	6.4	0.11	7.3	0.12	12.9	0.21	13.5	0.23	21.5	0.36	22.2	0.37	32.4	0.54	33.0	0.55
	<b>87</b>	270	8.0	0.13	9.2	0.15	16.2	0.27	17.0	0.28	27.2	0.45	28.0	0.47	40.8	0.68	41.6	0.69
	<b>103</b>	235	9.5	0.16	10.8	0.18	19.2	0.32	20.2	0.34	32.1	0.54	33.1	0.55	48.3	0.81	49.3	0.82
	<b>119</b>	215	11.0	0.18	12.5	0.21	22.2	0.37	23.3	0.39	37.1	0.62	38.3	0.64	55.8	0.93	56.9	0.95
	<b>166</b>	161	15.3	0.26	17.5	0.29	31.0	0.52	32.5	0.54	51.8	0.86	53.4	0.89	77.9	1.30	79.4	1.32
<b>207</b>	133	19.1	0.32	21.8	0.36	38.6	0.64	40.6	0.68	64.6	1.08	66.6	1.11	97.1	1.62	99.1	1.65	

<sup>1)</sup> lead time for delivery may vary depending on local supplier availability

All values are designed for double-ply belts



Geared motor SEW - WA 30			Height of conveyor base frame (mm)															
			30				60				100				150			
			Diameter of rollers (mm)															
Type	rpm	lb-in	Ø28		Ø32		Ø58		Ø61		Ø98		Ø101		Ø148		Ø151	
			m/min	m/s	m/min	m/s	m/min	m/s	m/min	m/s	m/min	m/s	m/min	m/s	m/min	m/s	m/min	m/s
<b>0.25 HP</b> <b>0.18 kW</b> <b>DT 71 K4</b>	<b>23</b>	320	2.1	0.04	2.4	0.04	4.3	0.07	4.5	0.08	7.2	0.12	7.4	0.12	10.8	0.18	11.0	0.18
	<b>28</b>	295	2.6	0.04	2.9	0.05	5.2	0.09	5.5	0.09	8.7	0.15	9.0	0.15	13.1	0.22	13.4	0.22
	<b>35</b>	255	3.2	0.05	3.7	0.06	6.5	0.11	6.9	0.11	10.9	0.18	11.3	0.19	16.4	0.27	16.7	0.28
	<b>44</b>	235	4.1	0.07	4.6	0.08	8.2	0.14	8.6	0.14	13.7	0.23	14.1	0.24	20.6	0.34	21.1	0.35
	<b>52</b>	196	4.8	0.08	5.5	0.09	9.7	0.16	10.2	0.17	16.2	0.27	16.7	0.28	24.4	0.41	24.9	0.41
	<b>62</b>	180	5.7	0.10	6.5	0.11	11.6	0.19	12.1	0.20	19.4	0.32	19.9	0.33	29.1	0.48	29.7	0.49
	<b>69</b>	168	6.4	0.11	7.3	0.12	12.9	0.21	13.5	0.23	21.5	0.36	22.2	0.37	32.4	0.54	33.0	0.55
	<b>87</b>	142	8.0	0.13	9.2	0.15	16.2	0.27	17.0	0.28	27.2	0.45	28.0	0.47	40.8	0.68	41.6	0.69
	<b>104</b>	122	9.6	0.16	10.9	0.18	19.4	0.32	20.4	0.34	32.5	0.54	33.4	0.56	48.8	0.81	49.8	0.83
	<b>119</b>	111	11.0	0.18	12.5	0.21	22.2	0.37	23.3	0.39	37.1	0.62	38.3	0.64	55.8	0.93	56.9	0.95
	<b>166</b>	83	15.3	0.26	17.5	0.29	31.0	0.52	32.5	0.54	51.8	0.86	53.4	0.89	77.9	1.30	79.4	1.32
	<b>207</b>	68	19.1	0.32	21.8	0.36	38.6	0.64	40.6	0.68	64.6	1.08	66.6	1.11	97.1	1.62	99.1	1.65
<b>0.25 HP</b> <b>0.18 kW</b> <b>DT 71 C6 <sup>1)</sup></b>	<b>15</b>	460	1.4	0.02	1.6	0.03	2.8	0.05	2.9	0.05	4.7	0.08	4.8	0.08	7.0	0.12	7.2	0.12
	<b>19</b>	425	1.8	0.03	2.0	0.03	3.5	0.06	3.7	0.06	5.9	0.10	6.1	0.10	8.9	0.15	9.1	0.15
	<b>23</b>	375	2.1	0.04	2.4	0.04	4.3	0.07	4.5	0.08	7.2	0.12	7.4	0.12	10.8	0.18	11.0	0.18
	<b>29</b>	340	2.7	0.04	3.1	0.05	5.4	0.09	5.7	0.09	9.1	0.15	9.3	0.16	13.6	0.23	13.9	0.23
	<b>34</b>	285	3.1	0.05	3.6	0.06	6.3	0.11	6.7	0.11	10.6	0.18	10.9	0.18	15.9	0.27	16.3	0.27
	<b>41</b>	265	3.8	0.06	4.3	0.07	7.6	0.13	8.0	0.13	12.8	0.21	13.2	0.22	19.2	0.32	19.6	0.33
	<b>46</b>	250	4.2	0.07	4.8	0.08	8.6	0.14	9.0	0.15	14.4	0.24	14.8	0.25	21.6	0.36	22.0	0.37
	<b>57</b>	210	5.3	0.09	6.0	0.10	10.6	0.18	11.2	0.19	17.8	0.30	18.3	0.31	26.7	0.45	27.3	0.45
	<b>69</b>	181	6.4	0.11	7.3	0.12	12.9	0.21	13.5	0.23	21.5	0.36	22.2	0.37	32.4	0.54	33.0	0.55
	<b>78</b>	165	7.2	0.12	8.2	0.14	14.5	0.24	15.3	0.25	24.3	0.41	25.1	0.42	36.6	0.61	37.3	0.62
	<b>109</b>	124	10.1	0.17	11.5	0.19	20.3	0.34	21.4	0.36	34.0	0.57	35.0	0.58	51.1	0.85	52.2	0.87
	<b>137</b>	102	12.6	0.21	14.4	0.24	25.6	0.43	26.8	0.45	42.8	0.71	44.1	0.73	64.3	1.07	65.6	1.09
<b>0.33 HP</b> <b>0.25 kW</b> <b>DT 71 C4</b>	<b>23</b>	420	2.1	0.04	2.4	0.04	4.3	0.07	4.5	0.08	7.2	0.12	7.4	0.12	10.8	0.18	11.0	0.18
	<b>29</b>	385	2.7	0.04	3.1	0.05	5.4	0.09	5.7	0.09	9.1	0.15	9.3	0.16	13.6	0.23	13.9	0.23
	<b>36</b>	335	3.3	0.06	3.8	0.06	6.7	0.11	7.1	0.12	11.2	0.19	11.6	0.19	16.9	0.28	17.2	0.29
	<b>44</b>	305	4.1	0.07	4.6	0.08	8.2	0.14	8.6	0.14	13.7	0.23	14.1	0.24	20.6	0.34	21.1	0.35
	<b>53</b>	255	4.9	0.08	5.6	0.09	9.9	0.16	10.4	0.17	16.5	0.28	17.0	0.28	24.9	0.41	25.4	0.42
	<b>63</b>	235	5.8	0.10	6.6	0.11	11.8	0.20	12.3	0.21	19.7	0.33	20.3	0.34	29.6	0.49	30.1	0.50
	<b>70</b>	220	6.5	0.11	7.4	0.12	13.1	0.22	13.7	0.23	21.8	0.36	22.5	0.38	32.8	0.55	33.5	0.56
	<b>88</b>	186	8.1	0.14	9.3	0.15	16.4	0.27	17.2	0.29	27.5	0.46	28.3	0.47	41.3	0.69	42.1	0.70
	<b>105</b>	159	9.7	0.16	11.0	0.18	19.6	0.33	20.6	0.34	32.8	0.55	33.8	0.56	49.3	0.82	50.2	0.84
	<b>120</b>	144	11.1	0.18	12.6	0.21	22.4	0.37	23.5	0.39	37.5	0.62	38.6	0.64	56.3	0.94	57.4	0.96
	<b>168</b>	109	15.5	0.26	17.7	0.29	31.3	0.52	32.9	0.55	52.4	0.87	54.0	0.90	78.8	1.31	80.4	1.34
	<b>210</b>	88	19.4	0.32	22.1	0.37	39.2	0.65	41.1	0.69	65.5	1.09	67.5	1.13	98.5	1.64	100.5	1.67
<b>0.33 HP</b> <b>0.25 kW</b> <b>DT 71 D6 <sup>1)</sup></b>	<b>15</b>	620	1.4	0.02	1.6	0.03	2.8	0.05	2.9	0.05	4.7	0.08	4.8	0.08	7.0	0.12	7.2	0.12
	<b>18</b>	570	1.7	0.03	1.9	0.03	3.4	0.06	3.5	0.06	5.6	0.09	5.8	0.10	8.4	0.14	8.6	0.14
	<b>23</b>	500	2.1	0.04	2.4	0.04	4.3	0.07	4.5	0.08	7.2	0.12	7.4	0.12	10.8	0.18	11.0	0.18
	<b>28</b>	455	2.6	0.04	2.9	0.05	5.2	0.09	5.5	0.09	8.7	0.15	9.0	0.15	13.1	0.22	13.4	0.22
	<b>34</b>	380	3.1	0.05	3.6	0.06	6.3	0.11	6.7	0.11	10.6	0.18	10.9	0.18	15.9	0.27	16.3	0.27
	<b>40</b>	355	3.7	0.06	4.2	0.07	7.5	0.12	7.8	0.13	12.5	0.21	12.9	0.21	18.8	0.31	19.1	0.32
	<b>45</b>	335	4.2	0.07	4.7	0.08	8.4	0.14	8.8	0.15	14.0	0.23	14.5	0.24	21.1	0.35	21.5	0.36
	<b>56</b>	280	5.2	0.09	5.9	0.10	10.4	0.17	11.0	0.18	17.5	0.29	18.0	0.30	26.3	0.44	26.8	0.45
	<b>67</b>	245	6.2	0.10	7.0	0.12	12.5	0.21	13.1	0.22	20.9	0.35	21.5	0.36	31.4	0.52	32.1	0.53
	<b>77</b>	220	7.1	0.12	8.1	0.13	14.4	0.24	15.1	0.25	24.0	0.40	24.8	0.41	36.1	0.60	36.8	0.61
	<b>107</b>	167	9.9	0.16	11.3	0.19	20.0	0.33	21.0	0.35	33.4	0.56	34.4	0.57	50.2	0.84	51.2	0.85
	<b>134</b>	137	12.4	0.21	14.1	0.23	25.0	0.42	26.3	0.44	41.8	0.70	43.1	0.72	62.9	1.05	64.1	1.07
<b>0.50 HP</b> <b>0.37 kW</b> <b>DT 71 D4</b>	<b>23</b>	640	2.1	0.04	2.4	0.04	4.3	0.07	4.5	0.08	7.2	0.12	7.4	0.12	10.8	0.18	11.0	0.18
	<b>28</b>	590	2.6	0.04	2.9	0.05	5.2	0.09	5.5	0.09	8.7	0.15	9.0	0.15	13.1	0.22	13.4	0.22
	<b>35</b>	515	3.2	0.05	3.7	0.06	6.5	0.11	6.9	0.11	10.9	0.18	11.3	0.19	16.4	0.27	16.7	0.28
	<b>44</b>	465	4.1	0.07	4.6	0.08	8.2	0.14	8.6	0.14	13.7	0.23	14.1	0.24	20.6	0.34	21.1	0.35
	<b>52</b>	390	4.8	0.08	5.5	0.09	9.7	0.16	10.2	0.17	16.2	0.27	16.7	0.28	24.4	0.41	24.9	0.41
	<b>62</b>	360	5.7	0.10	6.5	0.11	11.6	0.19	12.1	0.20	19.4	0.32	19.9	0.33	29.1	0.48	29.7	0.49
	<b>69</b>	335	6.4	0.11	7.3	0.12	12.9	0.21	13.5	0.23	21.5	0.36	22.2	0.37	32.4	0.54	33.0	0.55
	<b>87</b>	285	8.0	0.13	9.2	0.15	16.2	0.27	17.0	0.28	27.2	0.45	28.0	0.47	40.8	0.68	41.6	0.69
	<b>104</b>	245	9.6	0.16	10.9	0.18	19.4	0.32	20.4	0.34	32.5	0.54	33.4	0.56	48.8	0.81	49.8	0.83
	<b>119</b>	220	11.0	0.18	12.5	0.21	22.2	0.37	23.3	0.39	37.1	0.62	38.3	0.64	55.8	0.93	56.9	0.95
	<b>166</b>	166	15.3	0.26	17.5	0.29	31.0	0.52	32.5	0.54	51.8	0.86	53.4	0.89	77.9	1.30	79.4	1.32
	<b>207</b>	136	19.1	0.32	21.8	0.36	38.6	0.64	40.6	0.68	64.6	1.08	66.6	1.11	97.1	1.62	99.1	1.65

<sup>1)</sup> lead time for delivery may vary depending on local supplier availability

All values are designed for double-ply belts

Geared motor SEW - WA 30			Height of conveyor base frame (mm)															
			30				60				100				150			
			Diameter of rollers (mm)															
Type	rpm	lb-in	Ø28		Ø32		Ø58		Ø61		Ø98		Ø101		Ø148		Ø151	
			m/min	m/s	m/min	m/s	m/min	m/s	m/min	m/s	m/min	m/s	m/min	m/s	m/min	m/s	m/min	m/s
<b>0.50 HP</b> <b>0.37 kW</b> <b>DT 80 K6 <sup>1)</sup></b>	<b>23</b>	755	2.1	0.04	2.4	0.04	4.3	0.07	4.5	0.08	7.2	0.12	7.4	0.12	10.8	0.18	11.0	0.18
	<b>40</b>	540	3.7	0.06	4.2	0.07	7.5	0.12	7.8	0.13	12.5	0.21	12.9	0.21	18.8	0.31	19.1	0.32
	<b>67</b>	370	6.2	0.10	7.0	0.12	12.5	0.21	13.1	0.22	20.9	0.35	21.5	0.36	31.4	0.52	32.1	0.53
	<b>77</b>	335	7.1	0.12	8.1	0.13	14.4	0.24	15.1	0.25	24.0	0.40	24.8	0.41	36.1	0.60	36.8	0.61
	<b>107</b>	255	9.9	0.16	11.3	0.19	20.0	0.33	21.0	0.35	33.4	0.56	34.4	0.57	50.2	0.84	51.2	0.85
	<b>134</b>	210	12.4	0.21	14.1	0.23	25.0	0.42	26.3	0.44	41.8	0.70	43.1	0.72	62.9	1.05	64.1	1.07
<b>0.75 HP</b> <b>0.50 kW</b> <b>DT 80 K4</b>	<b>35</b>	770	3.2	0.05	3.7	0.06	6.5	0.11	6.9	0.11	10.9	0.18	11.3	0.19	16.4	0.27	16.7	0.28
	<b>62</b>	540	5.7	0.10	6.5	0.11	11.6	0.19	12.1	0.20	19.4	0.32	19.9	0.33	29.1	0.48	29.7	0.49
	<b>69</b>	505	6.4	0.11	7.3	0.12	12.9	0.21	13.5	0.23	21.5	0.36	22.2	0.37	32.4	0.54	33.0	0.55
	<b>104</b>	365	9.6	0.16	10.9	0.18	19.4	0.32	20.4	0.34	32.5	0.54	33.4	0.56	48.8	0.81	49.8	0.83
	<b>119</b>	335	11.0	0.18	12.5	0.21	22.2	0.37	23.3	0.39	37.1	0.62	38.3	0.64	55.8	0.93	56.9	0.95
	<b>166</b>	250	15.3	0.26	17.5	0.29	31.0	0.52	32.5	0.54	51.8	0.86	53.4	0.89	77.9	1.30	79.4	1.32
	<b>207</b>	205	19.1	0.32	21.8	0.36	38.6	0.64	40.6	0.68	64.6	1.08	66.6	1.11	97.1	1.62	99.1	1.65
<b>0.75 HP</b> <b>0.50 kW</b> <b>DT 80 N6 <sup>1)</sup></b>	<b>45</b>	755	4.2	0.07	4.7	0.08	8.4	0.14	8.8	0.15	14.0	0.23	14.5	0.24	21.1	0.35	21.5	0.36
	<b>67</b>	555	6.2	0.10	7.0	0.12	12.5	0.21	13.1	0.22	20.9	0.35	21.5	0.36	31.4	0.52	32.1	0.53
	<b>77</b>	505	7.1	0.12	8.1	0.13	14.4	0.24	15.1	0.25	24.0	0.40	24.8	0.41	36.1	0.60	36.8	0.61
	<b>107</b>	380	9.9	0.16	11.3	0.19	20.0	0.33	21.0	0.35	33.4	0.56	34.4	0.57	50.2	0.84	51.2	0.85
	<b>134</b>	310	12.4	0.21	14.1	0.23	25.0	0.42	26.3	0.44	41.8	0.70	43.1	0.72	62.9	1.05	64.1	1.07
<b>1.00 HP</b> <b>0.75 kW</b> <b>DT 80 N4</b>	<b>62</b>	725	5.7	0.10	6.5	0.11	11.6	0.19	12.1	0.20	19.4	0.32	19.9	0.33	29.1	0.48	29.7	0.49
	<b>69</b>	675	6.4	0.11	7.3	0.12	12.9	0.21	13.5	0.23	21.5	0.36	22.2	0.37	32.4	0.54	33.0	0.55
	<b>104</b>	490	9.6	0.16	10.9	0.18	19.4	0.32	20.4	0.34	32.5	0.54	33.4	0.56	48.8	0.81	49.8	0.83
	<b>119</b>	445	11.0	0.18	12.5	0.21	22.2	0.37	23.3	0.39	37.1	0.62	38.3	0.64	55.8	0.93	56.9	0.95
	<b>166</b>	335	15.3	0.26	17.5	0.29	31.0	0.52	32.5	0.54	51.8	0.86	53.4	0.89	77.9	1.30	79.4	1.32
	<b>207</b>	275	19.1	0.32	21.8	0.36	38.6	0.64	40.6	0.68	64.6	1.08	66.6	1.11	97.1	1.62	99.1	1.65

<sup>1)</sup> lead time for delivery may vary depending on local supplier availability

All values are designed for double-ply belts

Geared motor Bonfiglioli VF 30			Height of conveyor base frame (mm)															
			30				60				100				150			
			Diameter of rollers (mm)															
Type	rpm	lb-in	Ø28		Ø32		Ø58		Ø61		Ø98		Ø101		Ø148		Ø151	
			m/min	m/s	m/min	m/s	m/min	m/s	m/min	m/s	m/min	m/s	m/min	m/s	m/min	m/s	m/min	m/s
<b>0.125 HP</b> <b>0.09 kW</b> <b>BN 56B 4</b>	<b>27.5</b>	146	2.5	0.04	2.9	0.05	5.1	0.09	5.4	0.09	8.6	0.14	8.8	0.15	12.9	0.22	13.2	0.22
	<b>41.3</b>	115	3.8	0.06	4.3	0.07	7.7	0.13	8.1	0.13	12.9	0.21	13.3	0.22	19.4	0.32	19.8	0.33
	<b>55.0</b>	93	5.1	0.08	5.8	0.10	10.3	0.17	10.8	0.18	17.2	0.29	17.7	0.29	25.8	0.43	26.3	0.44
	<b>83.0</b>	70	7.7	0.13	8.7	0.15	15.5	0.26	16.3	0.27	25.9	0.43	26.7	0.44	38.9	0.65	39.7	0.66
	<b>110.0</b>	54	10.2	0.17	11.6	0.19	20.5	0.34	21.6	0.36	34.3	0.57	35.4	0.59	51.6	0.86	52.6	0.88
	<b>165.0</b>	39	15.2	0.25	17.4	0.29	30.8	0.51	32.3	0.54	51.5	0.86	53.1	0.88	77.4	1.29	79.0	1.32
<b>0.16 HP</b> <b>0.12 kW</b> <b>BN 63A 4</b>	<b>41.3</b>	147	3.8	0.06	4.3	0.07	7.7	0.13	8.1	0.13	12.9	0.21	13.3	0.22	19.4	0.32	19.8	0.33
	<b>55.0</b>	119	5.1	0.08	5.8	0.10	10.3	0.17	10.8	0.18	17.2	0.29	17.7	0.29	25.8	0.43	26.3	0.44
	<b>83.0</b>	89	7.7	0.13	8.7	0.15	15.5	0.26	16.3	0.27	25.9	0.43	26.7	0.44	38.9	0.65	39.7	0.66
	<b>110.0</b>	70	10.2	0.17	11.6	0.19	20.5	0.34	21.6	0.36	34.3	0.57	35.4	0.59	51.6	0.86	52.6	0.88
	<b>165.0</b>	50	15.2	0.25	17.4	0.29	30.8	0.51	32.3	0.54	51.5	0.86	53.1	0.88	77.4	1.29	79.0	1.32
	<b>236.0</b>	36	21.8	0.36	24.8	0.41	44.0	0.73	46.2	0.77	73.7	1.23	75.9	1.26	110.7	1.85	112.9	1.88
<b>0.25HP</b> <b>0.18 kW</b> <b>BN63B 4</b>	<b>56.0</b>	176	5.2	0.09	5.9	0.10	10.4	0.17	11.0	0.18	17.5	0.29	18.0	0.30	26.3	0.44	26.8	0.45
	<b>111.0</b>	103	10.2	0.17	11.7	0.19	20.7	0.35	21.7	0.36	34.6	0.58	35.7	0.59	52.1	0.87	53.1	0.89
	<b>167.0</b>	73	15.4	0.26	17.6	0.29	31.1	0.52	32.7	0.55	52.1	0.87	53.7	0.89	78.3	1.31	79.9	1.33
	<b>239.0</b>	53	22.1	0.37	25.1	0.42	44.6	0.74	46.8	0.78	74.6	1.24	76.8	1.28	112.1	1.87	114.4	1.91

All values are designed for double-ply belts

Geared motor Bonfiglioli VF 44			Height of conveyor base frame (mm)															
			30				60				100				150			
			Diameter of rollers (mm)															
Type	rpm	lb-in	Ø28		Ø32		Ø58		Ø61		Ø98		Ø101		Ø148		Ø151	
			m/min	m/s	m/min	m/s	m/min	m/s	m/min	m/s	m/min	m/s	m/min	m/s	m/min	m/s	m/min	m/s
<b>0.16 HP</b> <b>0.12 kW</b> <b>BN 63A 4</b>	<b>23.6</b>	235	2.2	0.04	2.5	0.04	4.4	0.07	4.6	0.08	7.4	0.12	7.6	0.13	11.1	0.18	11.3	0.19
	<b>27.5</b>	213	2.5	0.04	2.9	0.05	5.1	0.09	5.4	0.09	8.6	0.14	8.8	0.15	12.9	0.22	13.2	0.22
	<b>35.9</b>	177	3.3	0.06	3.8	0.06	6.7	0.11	7.0	0.12	11.2	0.19	11.5	0.19	16.8	0.28	17.2	0.29
	<b>47.1</b>	145	4.3	0.07	5.0	0.08	8.8	0.15	9.2	0.15	14.7	0.25	15.1	0.25	22.1	0.37	22.5	0.38
	<b>59.0</b>	121	5.4	0.09	6.2	0.10	11.0	0.18	11.6	0.19	18.4	0.31	19.0	0.32	27.7	0.46	28.2	0.47
	<b>83.0</b>	94	7.7	0.13	8.7	0.15	15.5	0.26	16.3	0.27	25.9	0.43	26.7	0.44	38.9	0.65	39.7	0.66
	<b>118.0</b>	69	10.9	0.18	12.4	0.21	22.0	0.37	23.1	0.39	36.8	0.61	37.9	0.63	55.4	0.92	56.5	0.94
<b>0.25 HP</b> <b>0.18 kW</b> <b>BN63B 4</b>	<b>27.8</b>	313	2.6	0.04	2.9	0.05	5.2	0.09	5.4	0.09	8.7	0.14	8.9	0.15	13.0	0.22	13.3	0.22
	<b>36.3</b>	261	3.4	0.06	3.8	0.06	6.8	0.11	7.1	0.12	11.3	0.19	11.7	0.19	17.0	0.28	17.4	0.29
	<b>47.7</b>	214	4.4	0.07	5.0	0.08	8.9	0.15	9.3	0.16	14.9	0.25	15.3	0.26	22.4	0.37	22.8	0.38
	<b>60.0</b>	179	5.5	0.09	6.3	0.11	11.2	0.19	11.8	0.20	18.7	0.31	19.3	0.32	28.1	0.47	28.7	0.48
	<b>84.0</b>	139	7.8	0.13	8.8	0.15	15.7	0.26	16.5	0.27	26.2	0.44	27.0	0.45	39.4	0.66	40.2	0.67
	<b>119.0</b>	102	11.0	0.18	12.5	0.21	22.2	0.37	23.3	0.39	37.1	0.62	38.3	0.64	55.8	0.93	56.9	0.95
	<b>167.0</b>	76	15.4	0.26	17.6	0.29	31.1	0.52	32.7	0.55	52.1	0.87	53.7	0.89	78.3	1.31	79.9	1.33
	<b>239.0</b>	54	22.1	0.37	25.1	0.42	44.6	0.74	46.8	0.78	74.6	1.24	76.8	1.28	112.1	1.87	114.4	1.91
<b>0.33 HP</b> <b>0.25 kW</b> <b>BN71A 4</b>	<b>37.0</b>	344	3.4	0.06	3.9	0.06	6.9	0.12	7.2	0.12	11.5	0.19	11.9	0.20	17.4	0.29	17.7	0.30
	<b>48.6</b>	283	4.5	0.07	5.1	0.09	9.1	0.15	9.5	0.16	15.2	0.25	15.6	0.26	22.8	0.38	23.3	0.39
	<b>61.0</b>	236	5.6	0.09	6.4	0.11	11.4	0.19	12.0	0.20	19.0	0.32	19.6	0.33	28.6	0.48	29.2	0.49
	<b>85.0</b>	183	7.8	0.13	8.9	0.15	15.9	0.26	16.7	0.28	26.5	0.44	27.3	0.46	39.9	0.66	40.7	0.68
	<b>121.0</b>	135	11.2	0.19	12.7	0.21	22.6	0.38	23.7	0.40	37.8	0.63	38.9	0.65	56.8	0.95	57.9	0.97
	<b>170.0</b>	100	15.7	0.26	17.9	0.30	31.7	0.53	33.3	0.56	53.1	0.88	54.7	0.91	79.7	1.33	81.4	1.36
	<b>243.0</b>	72	22.4	0.37	25.6	0.43	45.3	0.76	47.6	0.79	75.8	1.26	78.1	1.30	114.0	1.90	116.3	1.94
<b>0.50 HP</b> <b>0.37 kW</b> <b>BN71B 4</b>	<b>61.0</b>	358	5.6	0.09	6.4	0.11	11.4	0.19	12.0	0.20	19.0	0.32	19.6	0.33	28.6	0.48	29.2	0.49
	<b>85.0</b>	277	7.8	0.13	8.9	0.15	15.9	0.26	16.7	0.28	26.5	0.44	27.3	0.46	39.9	0.66	40.7	0.68
	<b>121.0</b>	204	11.2	0.19	12.7	0.21	22.6	0.38	23.7	0.40	37.8	0.63	38.9	0.65	56.8	0.95	57.9	0.97
	<b>170.0</b>	151	15.7	0.26	17.9	0.30	31.7	0.53	33.3	0.56	53.1	0.88	54.7	0.91	79.7	1.33	81.4	1.36
	<b>243.0</b>	108	22.4	0.37	25.6	0.43	45.3	0.76	47.6	0.79	75.8	1.26	78.1	1.30	114.0	1.90	116.3	1.94

All values are designed for double-ply belts

**Description:**

\_\_\_\_\_

\_\_\_\_\_

\_\_\_\_\_

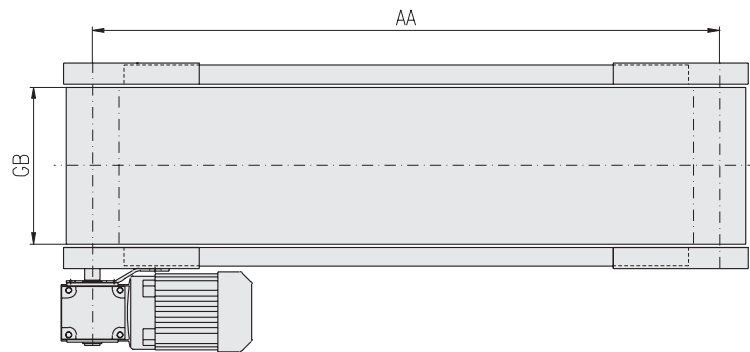
\_\_\_\_\_

**Article-No.:**

5.     .       .

.     .       .

**Measures:**



**Operating conditions:**

Material to be conveyed: \_\_\_\_\_

Kind of material: wet, dry, oily, dusty, hot, ... or: \_\_\_\_\_

Weight of material: \_\_\_\_\_ kg/m

Handling speed: \_\_\_\_\_ m/min (tolerance: ± 5%)

**Dimensioning of conveyor:**

Base frame: height \_\_\_\_\_ mm width \_\_\_\_\_ mm

Axle distance: min. \_\_\_\_\_ mm max. \_\_\_\_\_ mm

Total length: min. \_\_\_\_\_ mm max. \_\_\_\_\_ mm

Belt width: \_\_\_\_\_ mm net width \_\_\_\_\_ mm

Type of belt: type \_\_\_\_\_

**Drive unit:**

Motor: type \_\_\_\_\_ rot. speed (n1) \_\_\_\_\_

Position of motor: type \_\_\_\_\_

Orientation of motor: \_\_\_\_\_ deg. (standard: 0 deg.)

Position of conduit box: \_\_\_\_\_ deg. (standard: 90 deg.)

Frequency converter: type \_\_\_\_\_ power capacity \_\_\_\_\_ KW

Motor protection: type \_\_\_\_\_

**Accessories:**

Chassis: type \_\_\_\_\_ incline \_\_\_\_\_ mm

Guide rails: type \_\_\_\_\_ height \_\_\_\_\_ mm

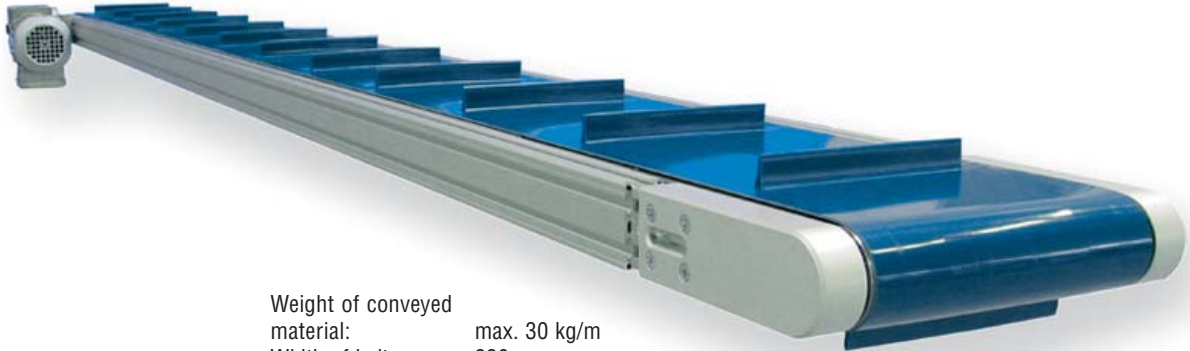
Knife edge: type \_\_\_\_\_ diameter \_\_\_\_\_ mm

**Belt conveyor**

- running inside
- direct drive

**Profile 30×60**

**Type: 111-2121-60**



Weight of conveyed material:	max. 30 kg/m
Width of belt:	220 mm
Axle distance:	2,800 mm
Belt: D = 2 mm	double-ply, PU coated, blue, with grousers
Diameter of rollers:	58 mm
Speed of belt:	10.1 m/min
Motor:	Geared motor SEW WA 20, 0.18 kW, 54 U/min
Description:	Belt conveyor, running inside, direct drive, complete
Article-No.:	5.111.2121.60030 .64L.0220×02800

**Belt conveyor**

- running inside
- direct drive

**Profile 30×100**

**Type: 111-2121-100**



Weight of conveyed material:	max. 70 kg/m
Width of belt:	300 mm
Axle distance:	800 mm
Belt: D = 2 mm	double-ply, PVC coated, black
Diameter of rollers:	98 mm
Speed of belt:	3.8 - 60 m/min
Description:	Belt conveyor, running inside, direct drive, complete
Article-No.:	5.111.2121.10030 .84P.0300×00800

**Belt conveyor**

- running inside
- center drive

**Profile 30×30**

**Type: 111-2321-30**



**Weight of conveyed**

material:	max. 15 kg/m
Width of belt:	200 mm
Axle distance:	1,100 mm
Belt: D = 1.2 mm	double-ply, PU coated, green
Diameter of rollers:	28 mm
Speed of belt:	10.1 m/min
Motor:	Geared motor SEW WA 20, 0.18 kW, 22 U/min

**Description:** Belt conveyor, running inside,  
center drive, complete

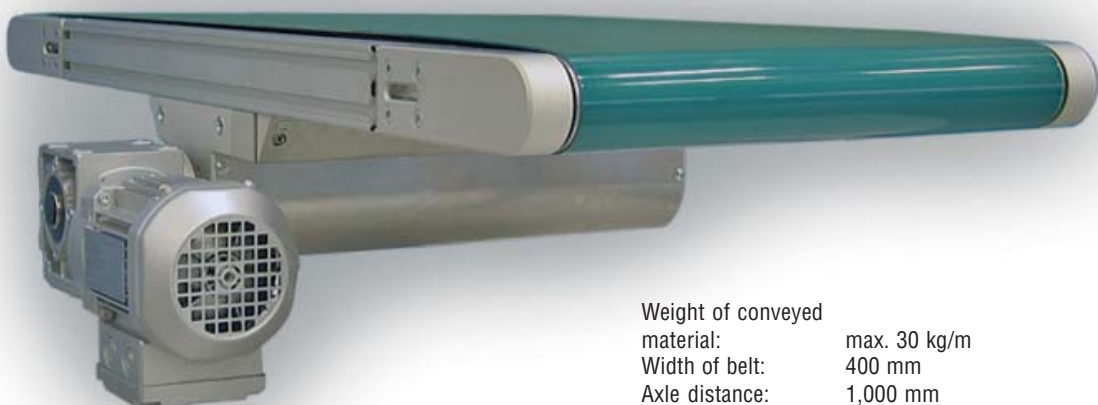
**Article-No.:** 5.111.2321.30030  
.43P.0200×01100

**Belt conveyor**

- running inside
- center drive

**Profile 30×60**

**Type: 111-2321-60**



**Weight of conveyed**

material:	max. 30 kg/m
Width of belt:	400 mm
Axle distance:	1,000 mm
Belt: D = 2 mm	double-ply, PU coated, green
Diameter of rollers:	58 mm
Speed of belt:	10.1 m/min
Motor:	Geared motor SEW WA 20, 0.18 kW, 54 U/min

**Description:** Belt conveyor, running inside,  
center drive, complete

**Article-No.:** 5.111.2321.60030  
.64L.0400×01000

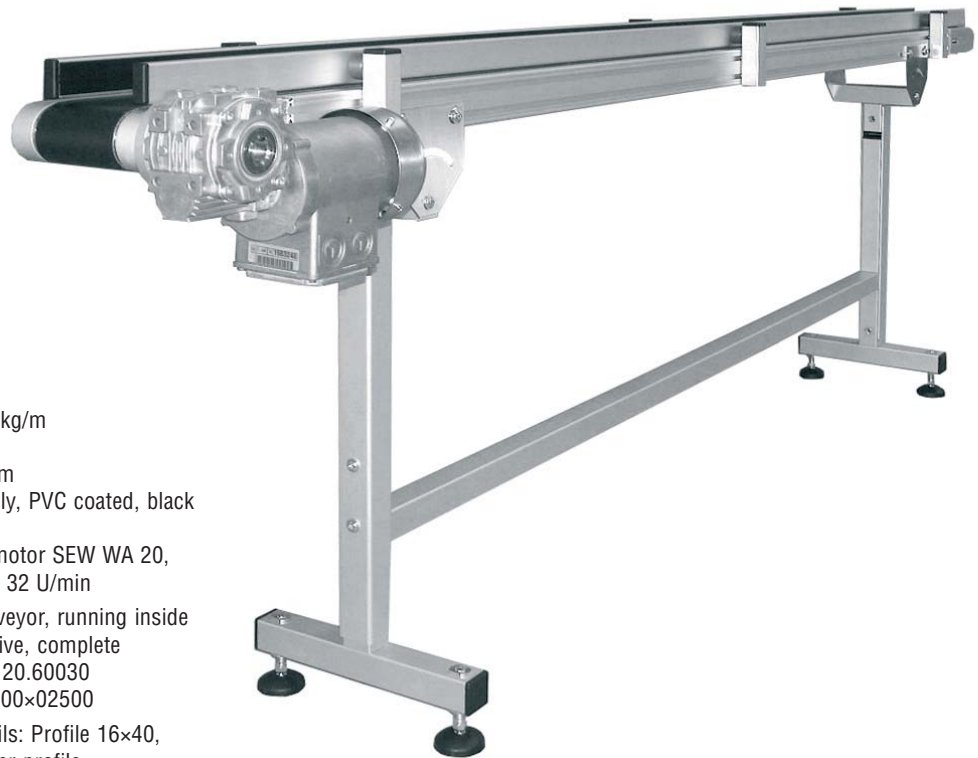


**Belt conveyor**

- running inside
- direct drive

**Profile 30x60**

**Typ: 111-2120-60**



Weight of conveyed

- |                      |  |
|----------------------|--|
| material:            | max. 15 kg/m                                 |
| Width of belt:       | 100 mm                                       |
| Axle distance:       | 2,500 mm                                     |
| Belt: D = 2 mm       | double-ply, PVC coated, black                |
| Diameter of rollers: | 58 mm  |
| Motor:               | Geared motor SEW WA 20,<br>0.18 kW, 32 U/min |

Description: Belt conveyor, running inside direct drive, complete

Article-No.: 5.111.2120.60030  
.64LP.0100x02500

Accessories: Guide rails: Profile 16x40,  
with cover profile

**Belt conveyor**

- running inside
- drive under belt

**Profile 30x100**

**Typ: 111-2220-100**



Weight of conveyed

- |                      |  |
|----------------------|--|
| material:            | max. 70 kg/m                                 |
| Width of belt:       | 350 mm                                       |
| Axle distance:       | 1,260 mm                                     |
| Belt: D = 2 mm       | double-ply, PVC coated, black                |
| Diameter of rollers: | 98 mm  |
| Motor:               | Geared motor SEW WA 20,<br>0.18 kW, 32 U/min |

Description: Belt conveyor, running inside drive under belt, complete

Article-No.: 5.111.2220.10030  
.84P.0350x01260

**Belt conveyor**

- running inside
- direct drive

**Profile 30×100**
**Type: 111-2121-100**


Weight of conveyed material:

max. 80 kg/m

Width of belt:

700 mm

Axle distance:

6,800 mm

Belt: D = 2 mm

double-ply, PVC coated, black

Diameter of rollers:

98 mm

Motor:

 Geared motor SEW WA 20,  
0.55 kW, 110 U/min

Description:

 Belt conveyor, running inside,  
direct drive, complete

Article-No.:

 5.111.2121.10030  
.84P.0700×06800

Accessories:

 Chassis: Profile 40×40,  
30×60 with levelling feet

**Belt conveyor**

- running inside
- axial cylinder motor

**Profile 30×60**
**Type: 111-2421-60**


Weight of conveyed material:

max. 15 kg/m

Width of belt:

300 mm

Axle distance:

3,500 mm

Belt: D = 2 mm

double-ply, PVC coated, black

Diameter of rollers:

58 mm

Speed of belt:

36 m/min

Motor:

 Axial cylinder motor, Interroll,  
80S, Ø81 mm, 0.085 kW

Description:

 Belt conveyor, running inside,  
axial cylinder motor, complete

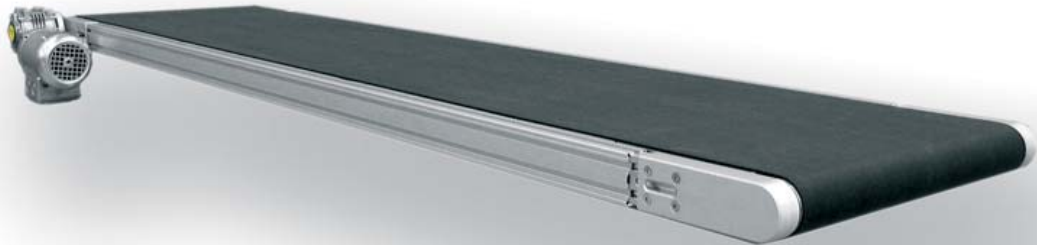
Article-No.:

 5.111.2421.60030  
.64L.0300×03500



**Belt conveyor**

- running inside
- direct drive

**Profile 30×60**
**Type: 111-2120-60**


Weight of conveyed material:

max. 15 kg/m

Width of belt:

400 mm

Axle distance:

3,000 mm

Belt: D = 2 mm

double-ply, PVC coated, black

Diameter of rollers:

58 mm

Motor:

Geared motor Bauer BS 03,  
0.18kW, 27 U/min

Description:

Belt conveyor, running inside,  
direct drive, complete

Article-No.:

5.111.2120.60030

.64LP.0400×03000

**Belt conveyor**

- running inside
- direct drive

**Profile 30×100**
**Type: 111-2121-100**


Weight of conveyed material:

max. 80 kg/m

Width of belt:

400 mm

Axle distance:

2,000 mm

Belt: D = 2 mm

double-ply, PVC coated, black

Diameter of rollers:

98 mm

Motor:

Geared motor SEW WA 20,  
0.55 kW, 110 U/min

Description:

Belt conveyor, running inside,  
direct drive, complete

Article-No.:

5.111.2121.10030

.84P.0400×02000

Accessories:

Guide rails: Profile 16×40, with cover profile

Chassis: Profile 40×40, 30×60 with levelling feet

**Ascending belt conveyor**

- running inside
- direct drive

**Profile 30×60**

**Type: 112-2122-60**



**Weight of conveyed**

- |                      |   |
|----------------------|---|
| material:            | max. 15 kg/m  |
| Width of belt:       | 500 mm  |
| Axle distance:       | 1,300 mm  |
| Belt: D = 2 mm       | double-ply, PVC coated, green with grousers                     |
| Diameter of rollers: | 58 mm   |
| Motor:               | Geared motor SEW WA 20, 0.18kW, 32 U/min                        |
| Description:         | Ascending belt conveyor, running inside, direct drive, complete |
| Article-No.:         | 5.112.2122.60030<br>.64LP.0500×01300                            |

**Belt conveyor**

- running inside
- direct drive

**Profile 30×100**

**Type: 111-2121-100**



Weight of conveyed material:

max. 80 kg/m

Width of belt:

800 mm

Axle distance:

1,500 mm

Belt: D = 2 mm

double-ply, PVC coated, black

Diameter of rollers:

98 mm

Motor:

Geared motor SEW WA 20,  
0.18 kW, 32 U/min

Description:

Belt conveyor, running inside,  
direct drive, complete

Article-No.:

5.111.2121.10030  
.84P.0800×01500

**Plastic link chain conveyor**

- running inside
- direct drive

**Profile 30×100**

**Type: 121-2125-100**



Weight of conveyed material:

max. 80 kg/m

Width of belt:

450 mm

Axle distance:

3,500 mm

Belt:

plastic link chain belt 1", PP blue

Toothed wheels:

ZZ 12

Motor:

Geared motor Bauer BS 03,  
0.18kW, 40 U/min

Description:

Plastic link chain conveyor, running  
inside, direct drive, complete

Article-No.:

5.121.2125.10030  
.84P.0450×03500

**Plastic link chain conveyor**

- running inside
- direct drive

**Profile 30×60**

**Type: 121-2124-60**



Weight of conveyed material: max. 30 kg/m  
 Width of belt: 305 mm  
 Axle distance: 1,450 mm  
 Belt: plastic link chain belt 3/4", AC brown ZZ 10  
 Toothed wheels: 7 m/min  
 Speed of belt: Geared motor Bauer BS 03, 0.18 kW, 35 U/min  
 Motor: Description: Plastic link chain conveyor, running inside, direct drive, complete  
 Article-No.: 5.121.2124.60030  
 .64L.0305×01450  
 Accessories: Chassis: Profile 40×40, 30×60 with levelling feet, conveyor level from 1,150 to 950 mm  
 Guide rails: Profile 16×40, with cover profile

**Plastic link chain conveyor**

- running inside
- direct drive

**Profile 30×100**

**Type: 121-2124-100**



Weight of conveyed material: max. 15 kg/m  
 Width of belt: 230 mm  
 Axle distance: 24,000 mm  
 Belt: plastic link chain belt 1", PP, blue ZZ 12  
 Toothed wheels: 13 m/min  
 Speed of belt: Geared motor SEW WA 20, 0.25 kW, 40 U/min  
 Motor: Description: Plastic link chain conveyor, running inside, direct drive, complete  
 Article-No.: 5.121.2124.10030  
 .84P.0230×24000



**Plastic link chain conveyor**

- running inside
- direct drive

**Profile 30×100**

**Type: 121-2125-100**



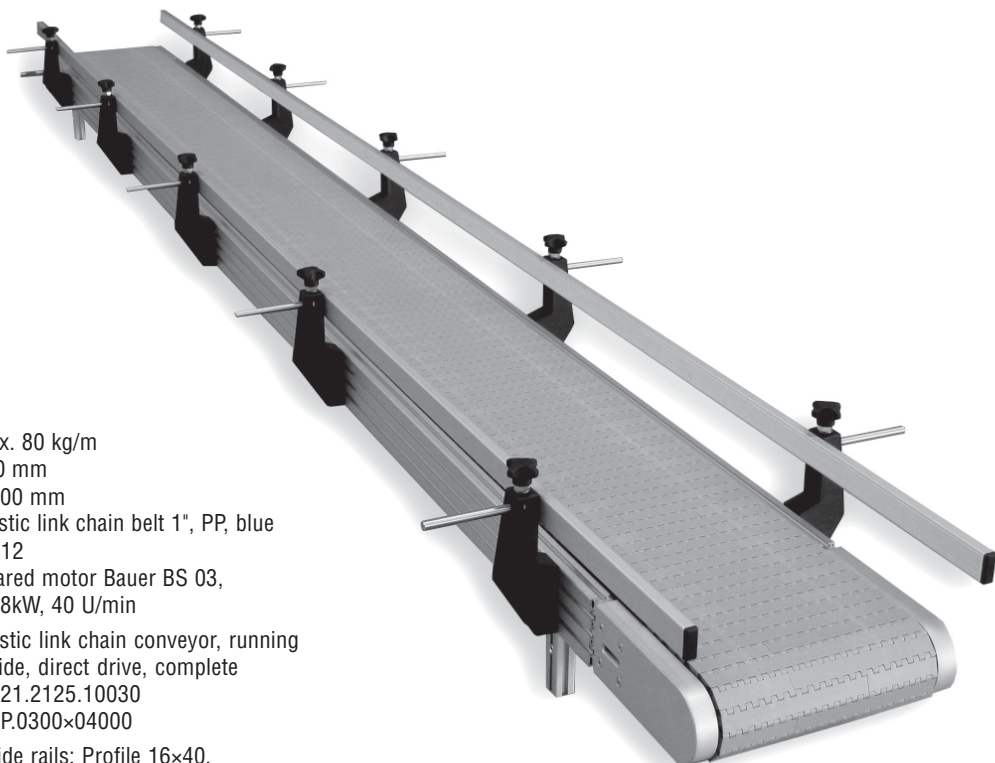
Weight of conveyed material: max. 80 kg/m  
 Width of belt: 300 mm  
 Axle distance: 4,000 mm  
 Belt: plastic link chain belt 1", PP, blue  
 Toothed wheels: ZZ 12  
 Motor: Geared motor Bauer BS 03, 0.18 kW, 40 U/min  
 Description: Plastic link chain conveyor, running inside, direct drive, complete  
 Article-No.: 5.121.2125.10030 .84P.0300×04000

**Plastic link chain conveyor**

- running inside
- direct drive

**Profile 30×100**

**Type: 121-2125-100**



Weight of conveyed material: max. 80 kg/m  
 Width of belt: 300 mm  
 Axle distance: 4,000 mm  
 Belt: plastic link chain belt 1", PP, blue  
 Toothed wheels: ZZ 12  
 Motor: Geared motor Bauer BS 03, 0.18kW, 40 U/min  
 Description: Plastic link chain conveyor, running inside, direct drive, complete  
 Article-No.: 5.121.2125.10030 .84P.0300×04000  
 Accessories: Guide rails: Profile 16×40, with cover profile

**Plastic link chain conveyor**

- running inside
- direct drive

**Profile 30×100**

**Type: 121-2125-100**



Weight of conveyed material: max. 80 kg/m  
 Width of belt: 993 mm  
 Axle distance: 3,500 mm  
 Belt: plastic link chain belt 1", PP, black  
 Toothed wheels: ZZ 12  
 Motor: Geared motor SEW ST/T, 0.25 kW, 25 U/min  
 Description: Plastic link chain conveyor, running inside, direct drive, complete  
 Article-No.: 5.121.2125.10030 .74P.0993×03500  
 Accessories: Chassis: Profile 30×100, 30×60 with base angle

**Plastic link chain conveyor**

- running inside
- direct drive

**Profile 30×100**

**Type: 121-2125-100**



Weight of conveyed material: max. 80 kg/m  
 Width of belt: 300 mm  
 Axle distance: 1,100 mm  
 Belt: plastic link chain belt 1", PP, blue  
 Toothed wheels: ZZ 12  
 Motor: Geared motor SEW WA 20, 0.18kW, 25 U/min  
 Description: Plastic link chain conveyor, running inside, direct drive, complete  
 Article-No.: 5.121.2125.10030 .84P.0300×01100

### Plastic link chain conveyor, curved

- 90°
- running inside
- direct drive

Profile 30×100, 5E, 2F

Type: 123-2124-100

Weight of conveyed

material: max. 20 kg/m  
 Width of belt: 180 mm  
 Length: 4,000×2,800×2,700 mm  
 Belt: Plastic link chain 1", PP, white  
 Toothed wheels: ZZ 12  
 Speed of belt: 13 m/min  
 Motor: Geared motor, SEW WA 20,  
 0.25 kW, 40 U/min

Description: Plastic link chain conveyor, curved,  
 running inside, direct drive,  
 complete

Article-No.: 5.123.2124.10030  
 .74P.0180×09500

Accessories: Guide rails: Profile 16×40,  
 with cover profile



### Plastic link chain conveyor, curved

- 90°, 180°
- running inside
- direct drive

Profile 30×100

Type: 123-2124-100

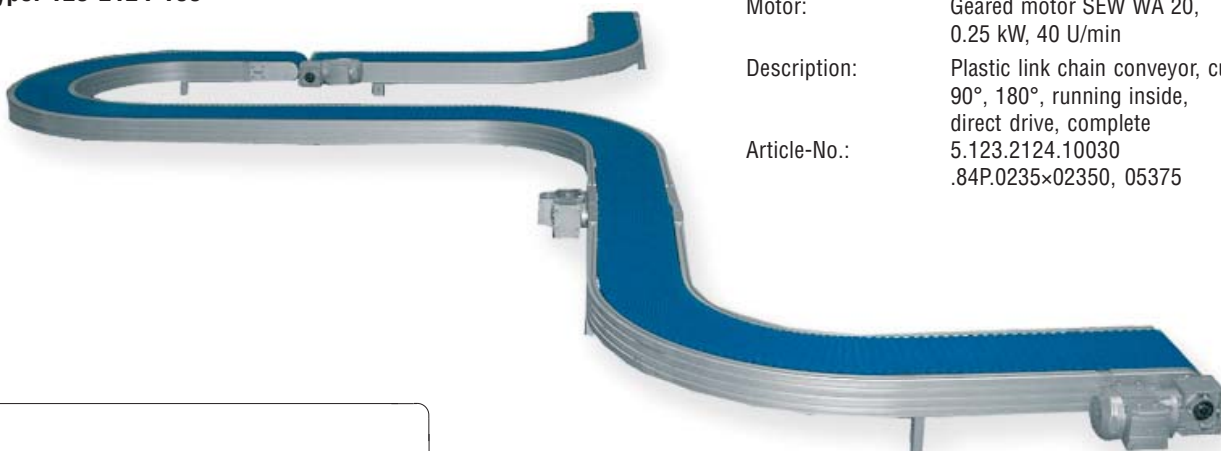
Weight of conveyed

material: max. 15 kg/m  
 Width of belt: 235 mm  
 Length: 90°: 500×1,125×700 mm  
 180°: 500×2,250×800×1,125×  
 700 mm

Belt: Plastic link chain 1", AC, blue  
 Toothed wheels: ZZ 12  
 Speed of belt: 13 m/min  
 Motor: Geared motor SEW WA 20,  
 0.25 kW, 40 U/min

Description: Plastic link chain conveyor, curved,  
 90°, 180°, running inside,  
 direct drive, complete

Article-No.: 5.123.2124.10030  
 .84P.0235×02350, 05375



#### Impressum

Subject to technical modification.

All rights reserved.

Copying - also in parts - only allowed by written consent.

© MayTec Aluminium Systemtechnik GmbH,  
 Germany - 85221 Dachau, 2005

The key...

to success

30% - 600% more flexible design

20% - 50% more economical machining

60% - 340% quicker assembly

100% - 260% stronger connection

more than 60 service locations

### Australia

**MayTec Australia P/L**  
Unit 1, 8 Prosperity Parade  
Warriewood, NSW 2102

country code: +61  
phone (0) 2 / 9999 0890  
fax (0) 2 / 9979 8703  
e-mail: [info@maytec.com.au](mailto:info@maytec.com.au)  
<http://www.maytec.com.au>

### Germany

**MayTec Aluminium**  
Systemtechnik GmbH  
Kopernikusstraße 20  
D - 85221 Dachau

country code: +49  
phone (0) 8131 / 33 36 - 0  
fax (0) 8131 / 33 36 - 119  
e-mail: [mail@maytec.de](mailto:mail@maytec.de)  
<http://www.maytec.de>

### USA

**MayTec Inc.**  
1625 Dundee Ave., Unit E-F  
Elgin, IL 60120

country code: +1  
phone 847 - 429 - 0321  
fax 847 - 429 - 0460  
e-mail: [mail@maytecinc.com](mailto:mail@maytecinc.com)  
<http://www.maytecinc.com>

Your professional partner