

6

Hinges



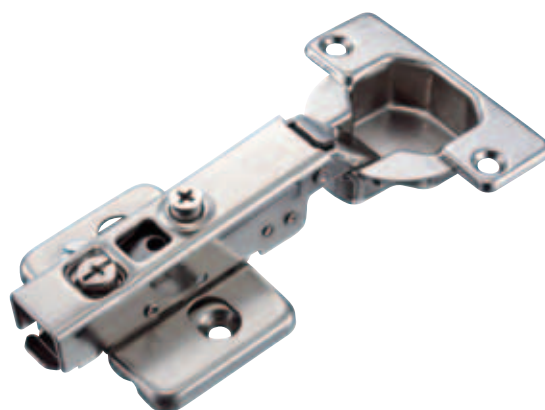


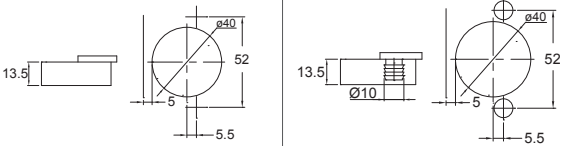
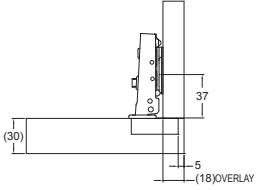

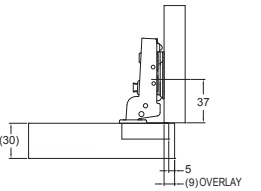

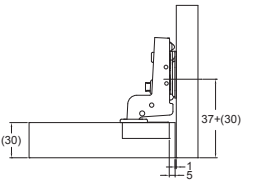

Enjoy a New Lifestyle

9256 Concealed Soft Close Hinge for Thick Door

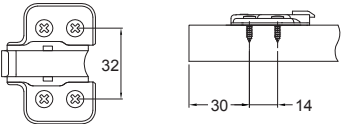
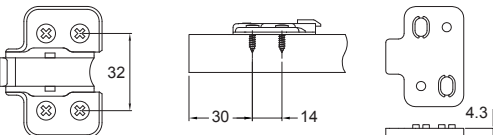
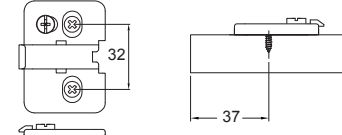
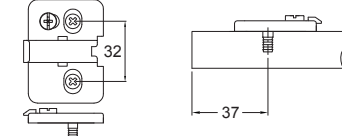
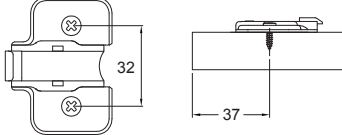
Specifications

- **Cup diameter:** 40mm
- **Cup Depth:** 13.5mm
- **Opening:** 95°
- **Finish:** Nickel-plated
- **Material:** Cold rolled steel
- **Overlay:** 18mm, 9mm, 0mm
- **Door Thickness:** 16~30mm



Model	Spec.	Wood Screw	Knock-in Dowel			
						
Overlay		Hole Pattern	Model No.	Hole Pattern	Model No.	
18mm			52mm	9256-0121-NZ3	52mm	9256-0131-NZ3
9mm			52mm	9256-0122-NZ2	52mm	9256-0132-NZ2
0mm			52mm	9256-0123-NZ4	52mm	9256-0133-NZ4

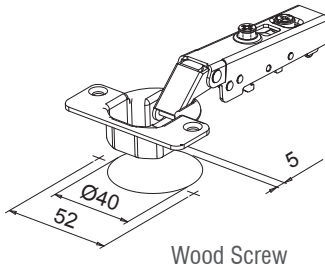
Base Plates for Hinge

Spec.	Material	Finish	Order No.
	Steel	Nickel-plated	207
	Steel / Plastic	Nickel-plated	208
	Steel	Nickel-plated	209
	Steel	Nickel-plated	210
	Steel	Nickel-plated	212

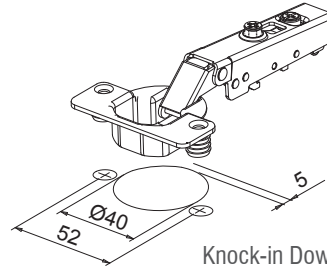
9256 Specifications

1 Drilling

Unit: mm

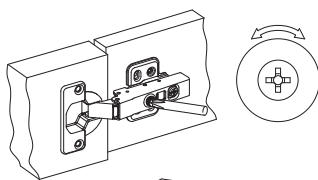


Wood Screw

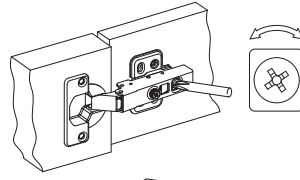


Knock-in Dowel

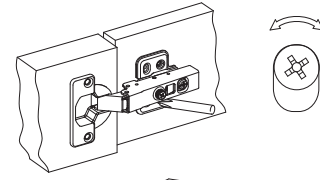
3 Assembly and Adjustment



Side adjustment L: 0mm
R: 2.5mm



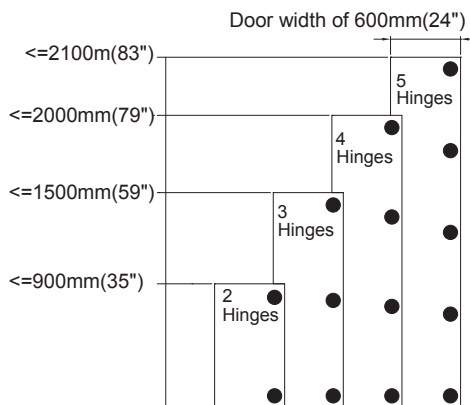
Depth adjustment In: 2.25mm
Out: 2.25mm



Height adjustment Up: 2.0mm
Down 2.0mm

4 Cup Hole Location from the Door Edge

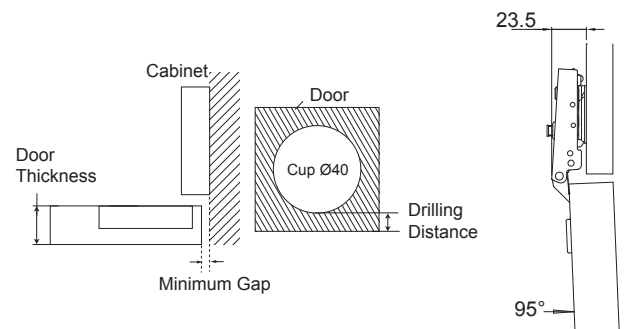
Unit: mm(inch)



The numbers of hinges depend on the door weight and dimensions are reference to the figure and the following table. The indications on weight and dimensions apply to a door width of 600 mm and thickness of 30mm.

Hinge Qty	2	3	4	5
Load Capacity	<7.5kg (17lbs)	7.6~12kgs (17~26lbs)	12~13.5kg (26~30lbs)	13.5~18kg (30~40lbs)

2 The minimum gap from the door edge to the cabinet edge



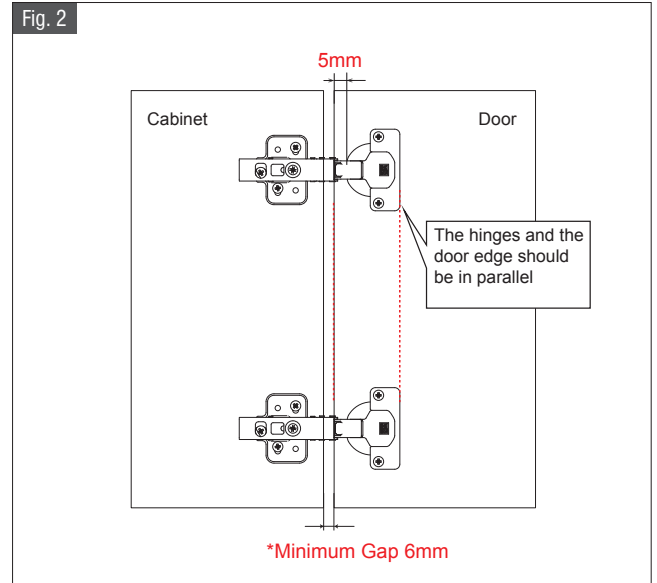
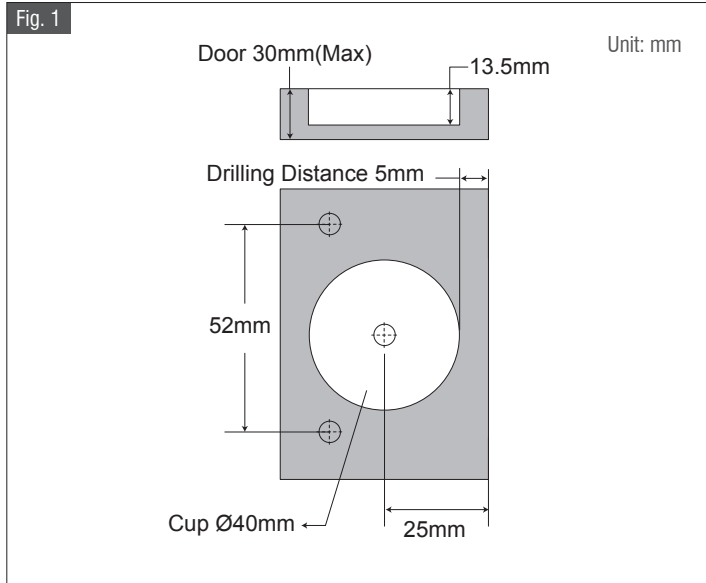
Unit: mm

Door Thickness	Drilling Distance										
	3	4	5	6	7	8	9	10	11		
24	0.5	0.5	0.5	0.5	0.5	0.5	0.5	0.5	0.5		
25	0.6	0.6	0.6	0.6	0.6	0.6	0.6	0.6	0.6		
26	0.7	0.7	0.7	0.7	0.7	0.7	0.7	0.7	0.7		
27	0.8	0.8	0.8	0.9	0.9	0.9	0.9	0.9	0.9		
28	1.1	1.1	1.1	1.1	1.1	1.1	1.1	1.1	1.1		
29	1.2	1.2	1.2	1.2	1.2	1.2	1.2	1.2	1.2		
30	1.5	1.5	1.5	1.4	1.4	1.4	1.4	1.4	1.4		

*The recommended drilling distance is 5mm

9256 Installation Instruction

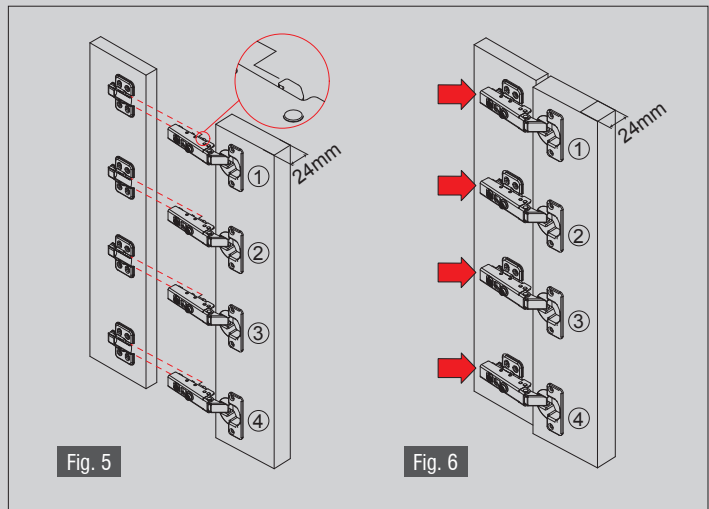
1. Please ensure all measurements such as the hole positions and drilling distances in Fig.1 are met before mounting the hinge.
2. Please ensure the distance between the door panel and the cabinet is 6mm before mounting the base plate. The hinges and the door edge should be in parallel. (Fig. 2)



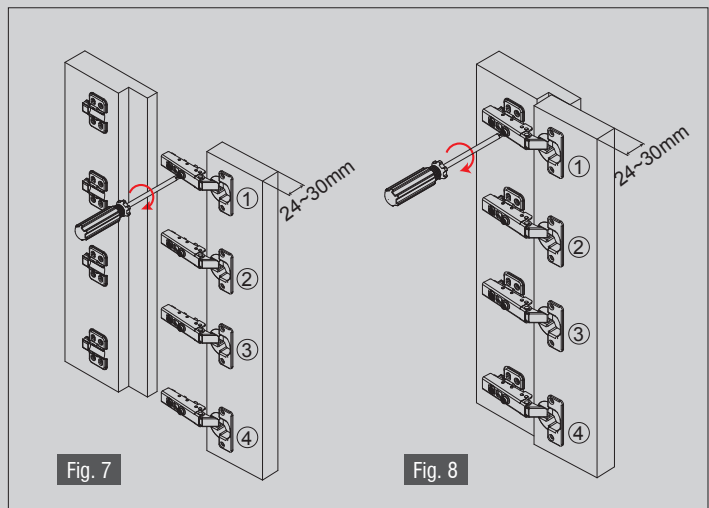
Installation attention:

Installation skill for two or more hinges

1. Lock all hinges onto the base plates (Fig.5).
2. Push hinge arm 1 and 4 down (Fig.6) until a 'click' sound is heard to fix the door.
3. Press on hinge arm 2 and 3 to complete the installation.

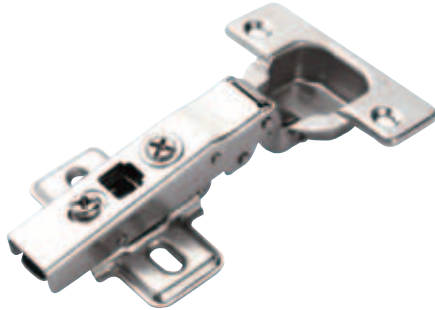


4. If the thickness of the door panel is greater than 24mm, please unscrew the hinge (clockwise) to its maximum potential (Fig.7).
5. Lock all hinge arms onto the base plates (Fig.5).
6. Push hinge arm 1 and 4 down (Fig.6) until a "click" sound is heard to fix the door.
7. Press on hinge arm 2 and 3 until a "click" sound is heard.
8. Adjust the hinge screw to its optimum position.
9. To demount the door panel: unscrew the hinge (clockwise) to its maximum potential (Fig.8) and unlock all hinge arms to detach the door panel.



9238

Silent Snap-on Hinge with 105°



Specifications

- **Cup diameter:** 35mm
- **Hole Depth:** 12mm
- **Opening:** 105°
- **Finish:** Nickel-plated
- **Material:** Cold rolled steel
- **Packing:** 100 pcs/carton
- **Overlay:** 19mm, 16mm, 9mm, 5mm, 0mm

Model	Spec.		Wood Screw		Knock-in Dowel	
Overlay			Hole Pattern	Model No.	Hole Pattern	Model No.
19mm			52mm	9238-0121-NZH	52mm	9238-0131-NZH
			48mm	9238-0321-NZH	48mm	9238-0331-NZH
9mm			52mm	9238-0122-NZH	52mm	9238-0132-NZH
			48mm	9238-0322-NZH	48mm	9238-0332-NZH
0mm			52mm	9238-0123-NZH	52mm	9238-0133-NZH
			48mm	9238-0323-NZH	48mm	9238-0333-NZH

Base Plates for 9238 Hinge

Spec.		Spacing	Material	Finish	Order No.
		0mm	Steel	Nickel-plated	200
		0mm	Steel	Nickel-plated	199

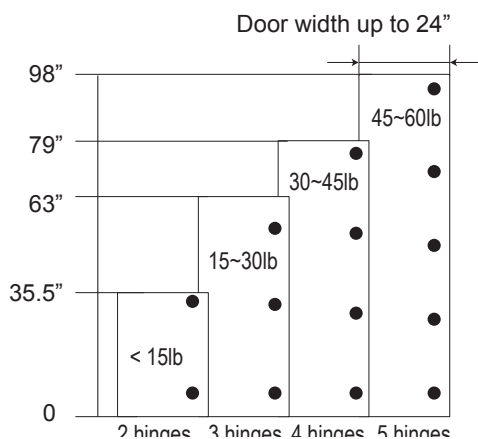


9255

6 Way Adjustable Soft Close Face-Framed Hinge

King Slide 6-way adjustable soft close hinge can be easily activated by the switch mechanism. This innovative design provides 3-tier soft close adjustment by users' preference. Its quiet soft close feature makes the face-framed cabinetry more convenient and elegant. With the 6 ways fine-tuning adjustment, installation became easy and effortless. King Slide dedicated in continuous creation of variety products to enhance better life quality you deserve.

Number of Hinges Per Door



Hinge Qty	2	3	4	5
Load Capacity	<15lbs	15~30lbs	30~45lbs	45~60lbs

Features

- 3-tier soft close adjustment



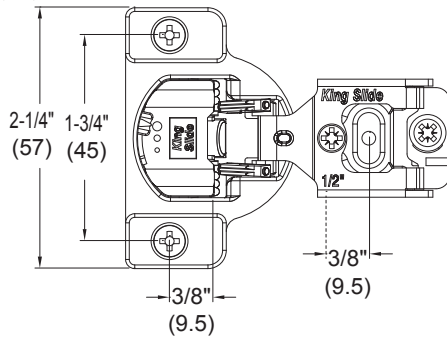


9255-A2 Partial Overlay Hinge

- **Cup Diameter:** 35mm(1-3/8")
- **Cup Depth:** 11mm (7/16")
- **Opening:** 105 °
- **Finish:** Nickel-plated
- **Material:** Cold rolled steel
- **Overlay:** 5/16" (7.9mm), 3/8" (9.5mm), 7/16" (11.1mm), 1/2" (12.7mm), 9/16" (14.3mm), 5/8" (15.9mm), 3/4"(19.1mm)

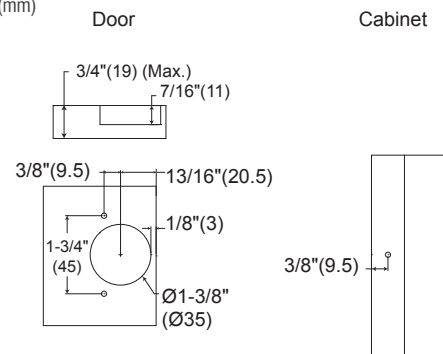
Overall Dimension

Unit: inch (mm)



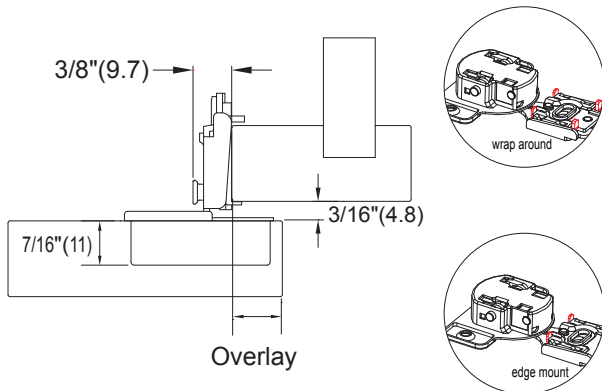
Boring Pattern

Unit: inch (mm)



Door Overlay

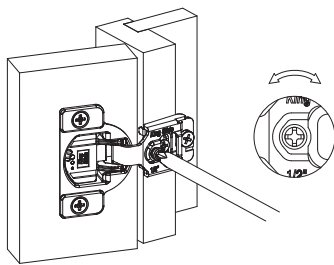
Unit: inch (mm)



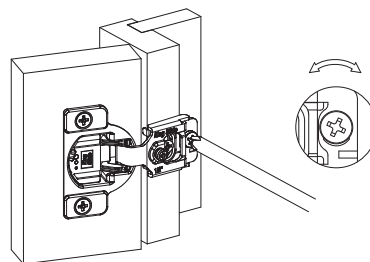
Item No.	Wood Screw (Without Dowle)	Knock-in Dowel
9255-A2		
Overlay inch (mm)	Model No.	Model No.
5/16" (7.9)	9255-A22E-NZH.554C	9255-A23E-NZH.554C
3/8" (9.5)	9255-A22F-NZH.554C	9255-A23F-NZH.554C
7/16" (11.1)	9255-A22G-NZH.554C	9255-A23G-NZH.554C
1/2" (12.7)	9255-A22H-NZH.554C	9255-A23H-NZH.554C
*1/2" (12.7)	9255-A22H-NZH.552C	9255-A23H-NZH.552C
9/16" (14.3)	9255-A22I-NZH.554C	9255-A23I-NZH.554C
5/8" (15.9)	9255-A22J-NZH.554C	9255-A23J-NZH.554C
3/4" (19.1)	9255-A22L-NZH.554C	9255-A23L-NZH.554C

* Available as edge mount hinge

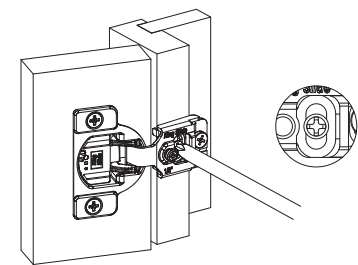
Assembly and Adjustment



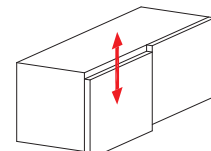
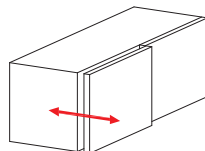
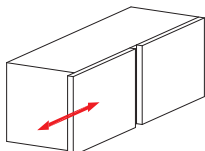
Side adjustment L 3/32"(2.5mm)
R 3/32"(2.5mm)



Depth adjustment In 1/32"(0.5mm)
Out 3/32"(2.5mm)



Height adjustment Up 1/8"(3mm)
Down 1/8"(3mm)



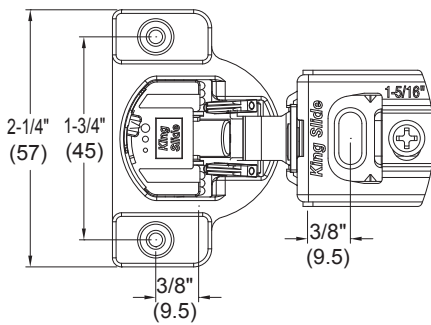


9255-B2 Full Overlay Hinge

- **Cup Diameter:** 35mm(1-3/8")
- **Cup Depth:** 11mm (7/16")
- **Opening:** 105 °
- **Finish:** Nickel-plated
- **Material:** Cold rolled steel
- **Overlay:** 1" (25.4mm), 1-1/4" (31.7mm), 1-5/16" (33.3mm), 1-3/8"(34.9 mm)
1-7/16" (36.5mm), 1-1/2" (38.1mm) , 1-9/16" (39.7mm)
- **Minimum Reveal:** 17/64"(6.75mm)

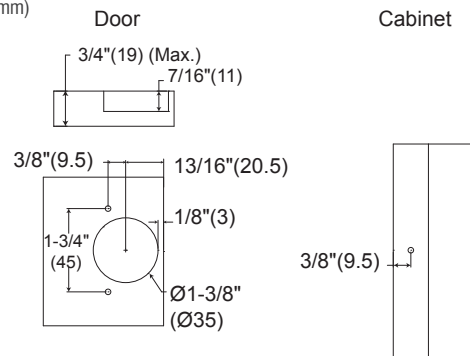
Overall Dimension

Unit: inch (mm)



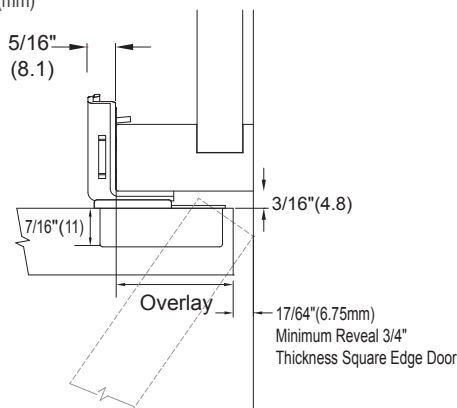
Boring Pattern

Unit: inch (mm)



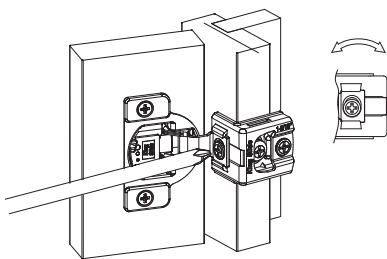
Door Overlay

Unit: inch (mm)

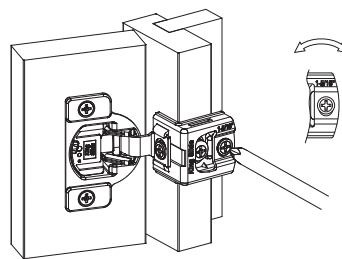
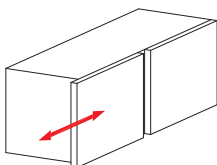


Item No.	Wood Screw (Without Dowle)	Knock-in Dowel
9255-B2		
Overlay inch (mm)	Model No.	Model No.
1" (25.4mm)	9255-B22P-NZH.553C	9255-B23P-NZH.553C
1-1/4" (31.7mm)	9255-B22D-NZH.553C	9255-B23D-NZH.553C
1-5/16" (33.3mm)	9255-B22E-NZH.553C	9255-B23E-NZH.553C
1-3/8" (34.9mm)	9255-B22F-NZH.553C	9255-B23F-NZH.553C
1-7/16" (36.5mm)	9255-B22G-NZH.553C	9255-B23G-NZH.553C
1-1/2" (38.1mm)	9255-B22H-NZH.553C	9255-B23H-NZH.553C
1-9/16" (39.7mm)	9255-B22I-NZH.553C	9255-B23I-NZH.553C

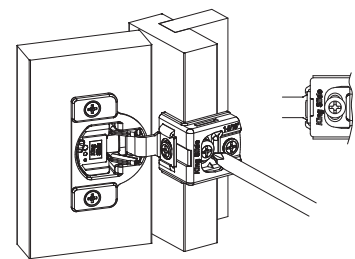
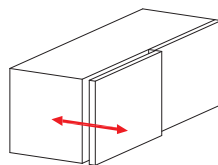
Assembly and Adjustment



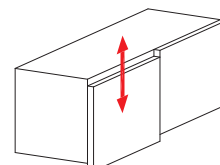
Side adjustment
L 1/16" (1.5mm)
R 1/16" (1.5mm)



Depth adjustment
In 1/32"(0.5mm)
Out 3/32"(2.5mm)



Height adjustment
Up 1/8"(3mm)
Down 1/8"(3mm)



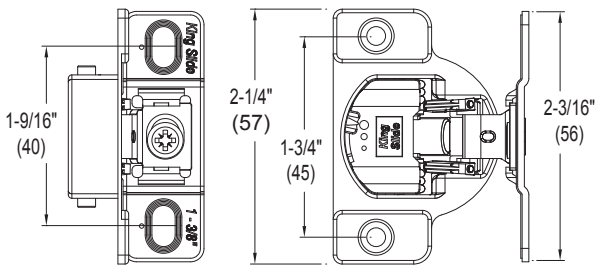


9255-C2 Full Overlay Hinge (four way adjustment)

- **Cup Diameter:** 35mm(1-3/8")
- **Cup Depth:** 11mm (7/16")
- **Opening:** 105 °
- **Finish:** Nickel-plated
- **Material:** Cold rolled steel
- **Overlay:** 1-3/8" (34.9mm)

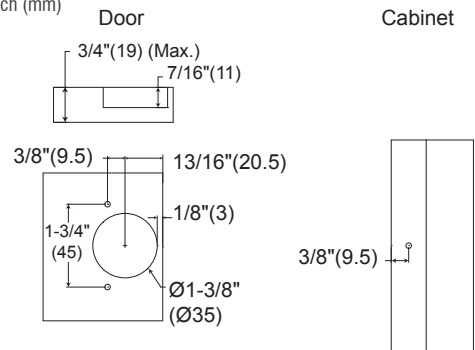
Overall Dimension

Unit: inch (mm)



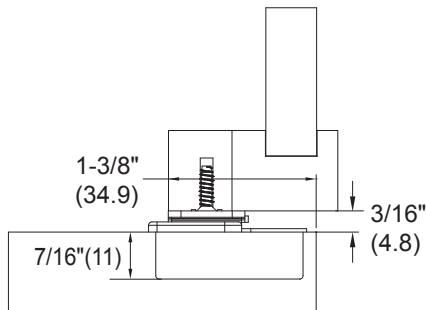
Boring Pattern

Unit: inch (mm)



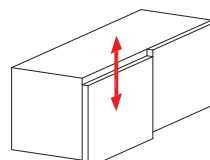
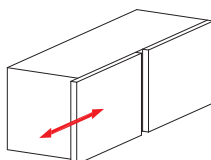
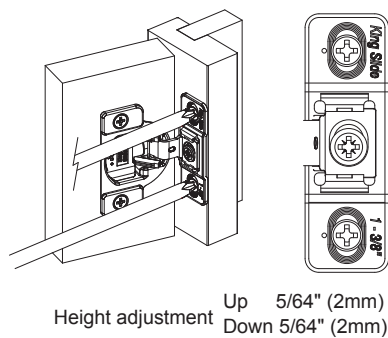
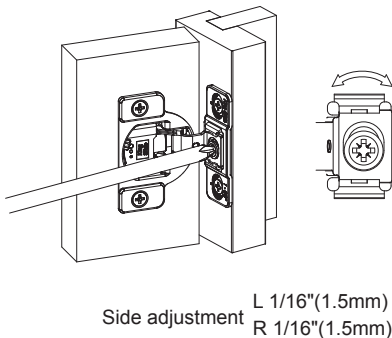
Door Overlay

Unit: inch (mm)



Item No.	Wood Screw (Without Dowel)	Knock-in Dowel
9255-C2		
Overlay inch (mm)	Model No.	Model No.
1-3/8" (34.9mm)	9255-C22F-NZH.551C	9255-C23F-NZH.551C

Assembly and Adjustment



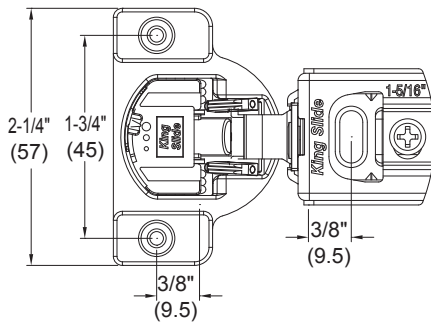


9255-E2 Full Overlay Hinge

- **Cup Diameter:** 35mm(1-3/8")
- **Cup Depth:** 11mm (7/16")
- **Opening:** 105 °
- **Finish:** Nickel-plated
- **Material:** Cold rolled steel
- **Overlay:** 1" (25.4mm), 1-1/4" (31.7mm), 1-5/16" (33.3mm), 1-3/8"(34.9 mm)
1-7/16" (36.5mm), 1-1/2" (38.1mm) , 1-9/16" (39.7mm)
- **Minimum Reveal:** 7/32"(5.75mm)

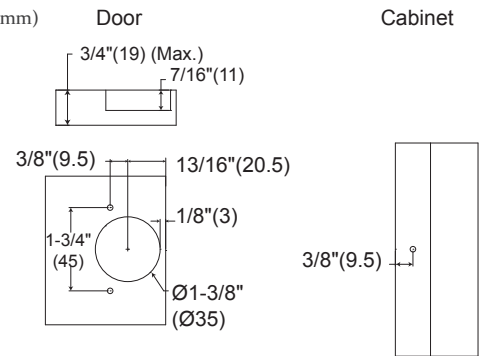
Overall Dimension

Unit: inch (mm)



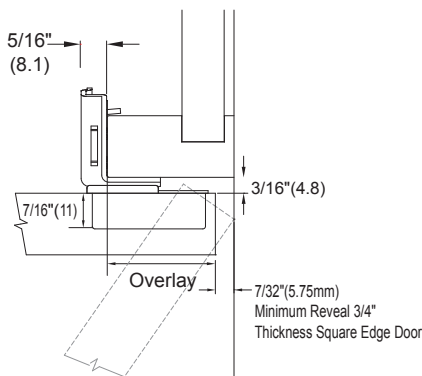
Boring Pattern

Unit: inch (mm)



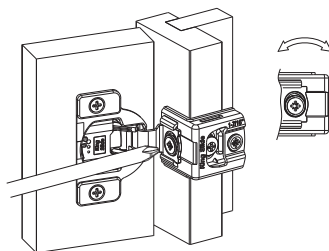
Door Overlay

Unit: inch (mm)

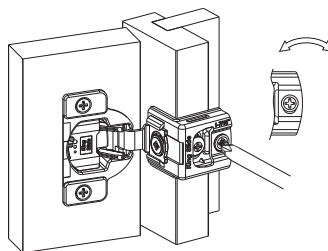
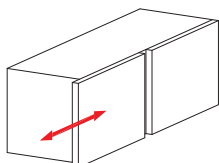


Item No.	Wood Screw (Without Dowle)	Knock-in Dowel
9255-E2		
Overlay inch (mm)	Model No.	Model No.
1" (25.4mm)	9255-E22P-NZH.553C	9255-E23P-NZH.553C
1-1/4" (31.7mm)	9255-E22D-NZH.553C	9255-E23D-NZH.553C
1-5/16" (33.3mm)	9255-E22E-NZH.553C	9255-E23E-NZH.553C
1-3/8" (34.9mm)	9255-E22F-NZH.553C	9255-E23F-NZH.553C
1-7/16" (36.5mm)	9255-E22G-NZH.553C	9255-E23G-NZH.553C
1-1/2" (38.1mm)	9255-E22H-NZH.553C	9255-E23H-NZH.553C
1-9/16" (39.7mm)	9255-E22I-NZH.553C	9255-E23I-NZH.553C

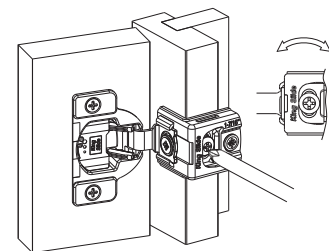
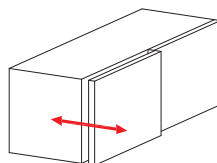
Assembly and Adjustment



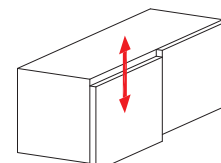
Side adjustment L 3/32" (2.5mm)
R 3/32" (2.5mm)



Depth adjustment In 1/32"(0.5mm)
Out 3/32"(2.5mm)



Height adjustment Up 1/8"(3mm)
Down 1/8"(3mm)



ANSI/BHMA Grade 2 Specifications

9258

Small Overlay 6 way face frame hinge 109°



Specifications

- **Cup diameter:** 35mm
- **Hole Depth:** 11mm
- **Opening:** 105°
- **Finish:** Nickel-plated
- **Material:** Cold Rolled steel Wrap around mount
- **Packing:** 600 pcs/carton
- **Overlay:** 6.3mm (1/4"), 7.9mm (5/16"), 11.1mm (7/16"), 12.7mm (1/2"), 14.2mm (9/16"), 25.4mm (1")

Model	Spec.		Wood Screw		Knock-in Dowel	
Overlay			Hole Pattern	Model No.	Hole Pattern	Model No.
6.3mm (1/4")			45mm	9258-0226-NKH	45mm	9258-0236-NKH
7.9mm (5/16")			45mm	9258-0228-NKH	45mm	9258-0238-NKH
11.1mm (7/16")			45mm	9258-022E-NKH	45mm	9258-023E-NKH
12.7mm (1/2")			45mm	9258-0227-NKH	45mm	9258-0237-NKH
14.2mm (9/16")			45mm	9258-0229-NKH	45mm	9258-0239-NKH
15.8mm (5/8")			45mm	9258-0225-NKH	45mm	9258-0235-NKH
25.4mm (1")			45mm	9258-022N-NKH	45mm	9258-023N-NKH

ANSI/BHMA Grade 2 Specifications

9258

Large Overlay 6 way face frame hinge 109°



Specifications

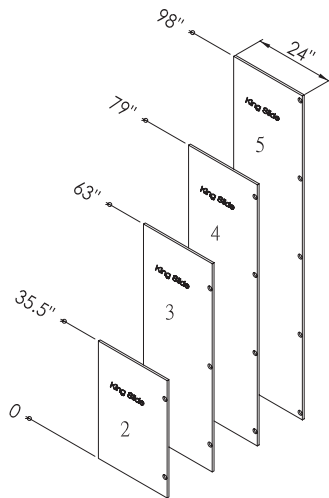
- **Cup diameter:** 35mm
- **Hole Depth:** 11
- **Opening:** 105°
- **Finish:** Nickel-plated
- **Material:** Cold Rolled steel Wrap around mount
- **Packing:** 600 pcs/carton
- **Overlay:** 1-1/8" (28.5mm), 1-1/4" (31.7mm), 1-5/16" (33.3mm), 1-3/8" (34.9mm), 1-7/16" (36.5mm), 1-1/2" (38.1mm), 1-9/16" (39.6mm)

Model	Spec.		Wood Screw		Knock-in Dowel	
Overlay			Hole Pattern	Model No.	Hole Pattern	Model No.
28.5mm (1-1/8")			45mm	9258-0220-NKH	45mm	9258-0230-NKH
31.7mm (1-1/4")			45mm	9258-022F-NKH	45mm	9258-023F-NKH
33.3mm (1-5/16")			45mm	9258-022J-NKH	45mm	9258-023J-NKH
34.9mm (1-3/8")			45mm	9258-022M-NKH	45mm	9258-023M-NKH
36.5mm (1-7/16")			45mm	9258-022L-NKH	45mm	9258-023L-NKH
38.1mm (1-1/2")			45mm	9258-022G-NKH	45mm	9258-023G-NKH
39.6mm (1-9/16")			45mm	9258-022H-NKH	45mm	9258-023H-NKH

9258 Installation Instruct

Overall Dimension	Boring Pattern	Installation

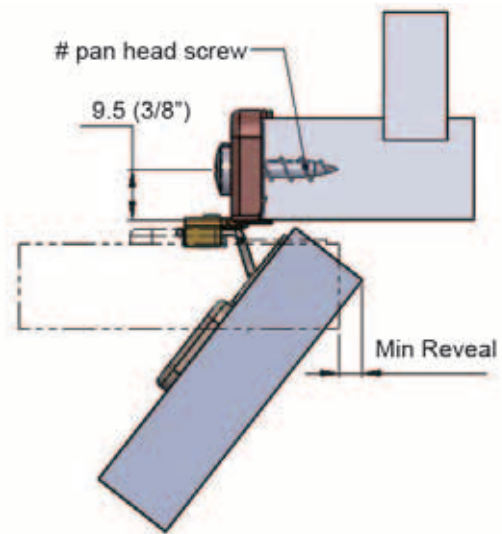
1 Specification of hinges number according with the loading of door board



Required number of hinges depends on the material, weight and dimensions of the door show in the figure. For optimum hinge performance, maximize the distance between the hinges on the door.

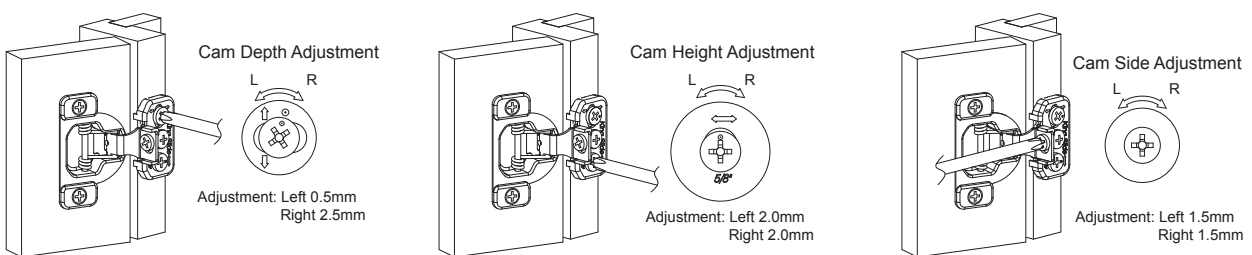
Hinge Qty	2	3	4	5
Load Capacity	8~15lbs	15~28lbs	28~38lbs	38~46lbs

2 Minimum Reveal



Door Thickness	16mm (5/8")	17.5mm (11/16")	19mm (3/4")
Minimum Reveal	4.47mm (5/64")	5.69mm (1/64")	7mm (9/32")

3 Assembly and Adjustment



ANSI/BHMA Grade 2 Specifications

9228

Face-Frame Hinge 105°



Specifications

- **Cup diameter:** 35mm
- **Hole Depth:** 11mm
- **Opening:** 105°
- **Finish:** Nickel-plated
- **Material:** Cold rolled steel
- **Packing:** 400 pcs/carton
- **Overlay:** 6.3mm (1/4"), 7.9mm (5/16"), 9.5mm (3/8"), 12.7mm (1/2"), 14.2mm (9/16"), 15.8mm (5/8"), 19mm (3/4"), 32-35mm (1 5/16")

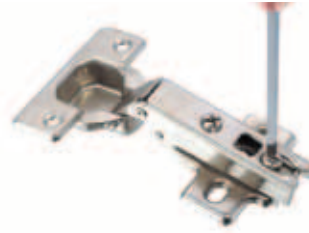
Model	Spec.	Wood Screw		Knock-in Dowel		
Overlay		Hole Pattern	Model No.	Hole Pattern	Model No.	
6.3mm			45mm	9228-1226-NZH	45mm	9228-1236-NZH
7.9mm			45mm	9228-1228-NZH	45mm	9228-1238-NZH
9.5mm			45mm	9228-122C-NZH	45mm	9228-123C-NZH
12.7mm			45mm	9228-1227-NZH	45mm	9228-1237-NZH
14.2mm			45mm	9228-1229-NZH	45mm	9228-1239-NZH
15.8mm			45mm	9228-122D-NZH	45mm	9228-123D-NZH
19mm			45mm	9228-122B-NZH	45mm	9228-123B-NZH
32mm 35mm			45mm	9228-122A-NZH	45mm	9228-123A-NZH

General Specifications for Concealed Hinges

1 Snap-on and Non Snap-on
The type of attachment between the hinge body and hinge base

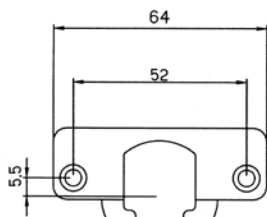


Snap-on

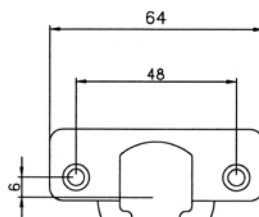


Non Snap-on

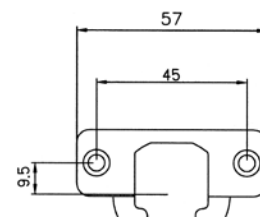
2 Hole pattern on the hinge cup: 52mm, 48mm, 45mm, 38mm, 36mm



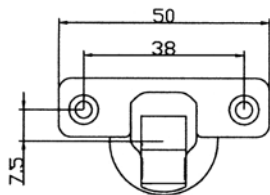
52mm



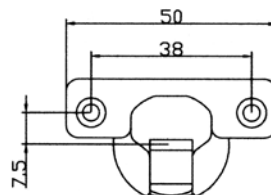
48mm



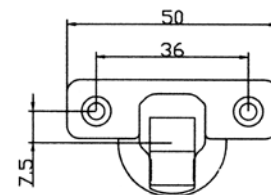
45mm



38mm

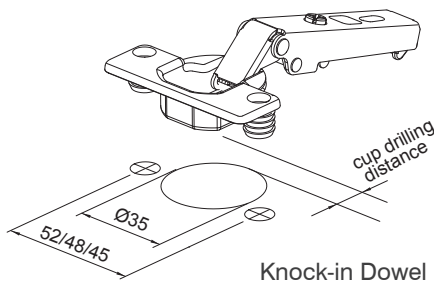


38mm

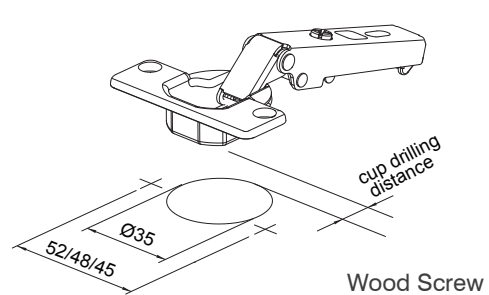


36mm

3 Drilling

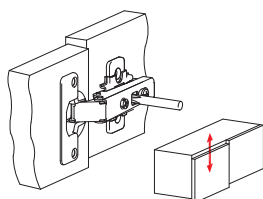


Knock-in Dowel

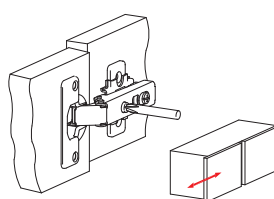


Wood Screw

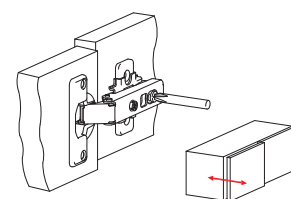
4 Assembly and Adjustment



1.Height adjustment
±2.5mm

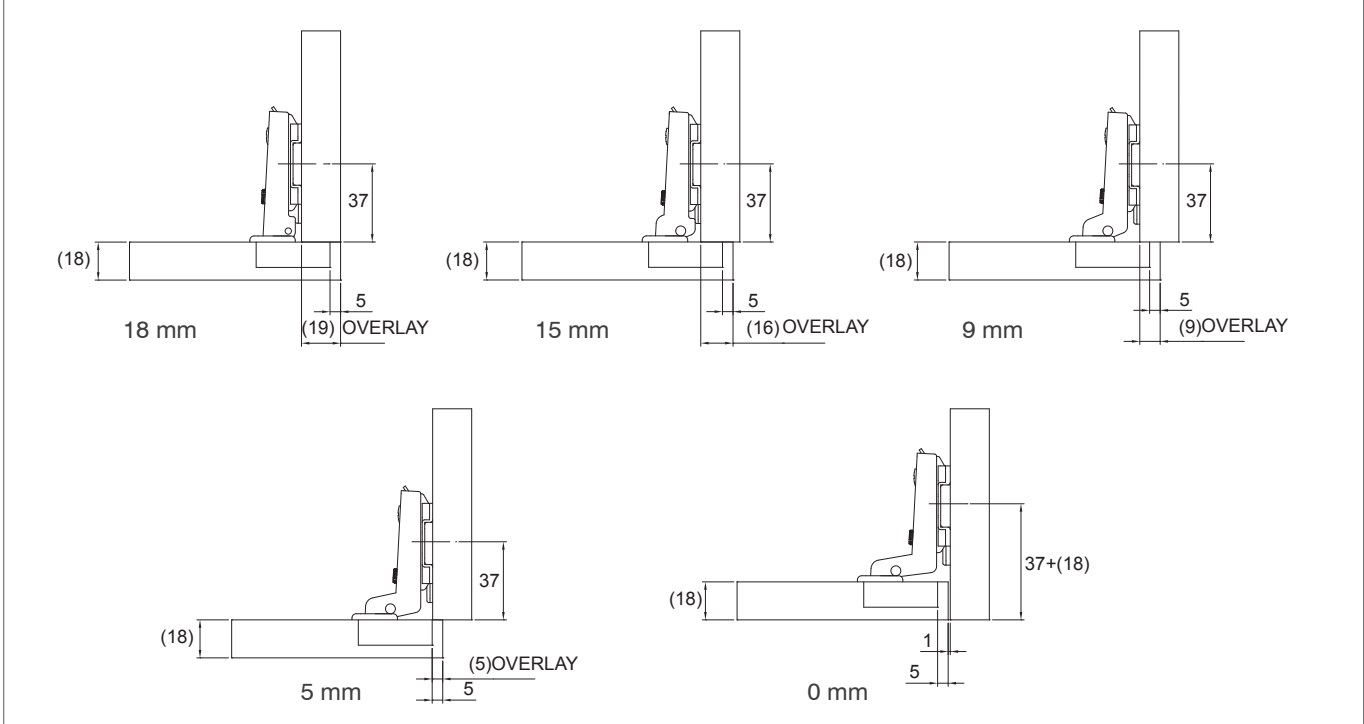


2.Side adjustment
0~+5.5mm



3.Depth adjustment
0~+2.5mm

5 Door Overlay



6 Cup Hole Location from The Door Edge

Unit:mm

Door Thickness	Drilling Distance		
	Minimum Gap	3	4
15	0.5	0.4	0.4
16	0.6	0.6	0.6
17	0.8	0.8	0.8
18	1.1	1.0	1.0
19	1.4	1.3	1.3
20	1.7	1.7	1.6

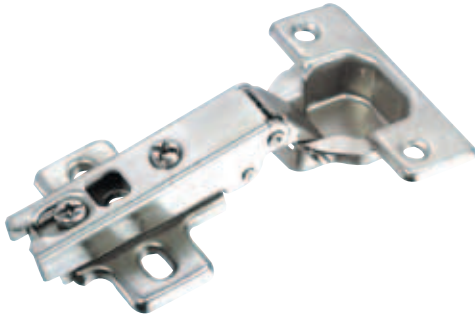
7 Minimum required door gap at closed position (mm)

Required number of hinges depends on the material, weight and dimensions of the door as shown in the figure. For optimum hinge performance, maximize the distance between the hinges on the door.

Door width up to 600mm/2'

9218

Concealed Hinge 105°



Specifications

- **Cup diameter:** 35mm
- **Hole Depth:** 12mm
- **Opening:** 105°
- **Finish:** Nickel-plated
- **Material:** Cold rolled steel
- **Packing:** 200 pcs/carton
- **Overlay:** 19mm, 16mm, 9mm, 5mm, 0mm

Model	Spec.	Wood Screw		Knock-in Dowel	
Overlay		Hole Pattern	Model No.	Hole Pattern	Model No.
19mm		52mm	9218-0121-NZH	52mm	9218-0131-NZH
		48mm	9218-0321-NZH	48mm	9218-0331-NZH
		45mm	9218-0221-NZH	45mm	9218-0231-NZH
16mm		52mm	9218-0125-NZH	52mm	9218-0135-NZH
		48mm	9218-0325-NZH	48mm	9218-0335-NZH
		45mm	9218-0225-NZH	45mm	9218-0235-NZH
9mm		52mm	9218-0122-NZH	52mm	9218-0132-NZH
		48mm	9218-0322-NZH	48mm	9218-0332-NZH
		45mm	9218-0222-NZH	45mm	9218-0232-NZH
5mm		52mm	9218-0124-NZH	52mm	9218-0134-NZH
		48mm	9218-0324-NZH	48mm	9218-0334-NZH
		45mm	9218-0224-NZH	45mm	9218-0234-NZH
0mm		52mm	9218-0123-NZH	52mm	9218-0133-NZH
		48mm	9218-0323-NZH	48mm	9218-0333-NZH
		45mm	9218-0223-NZH	45mm	9218-0233-NZH

Base Plates for 9218, Hinges

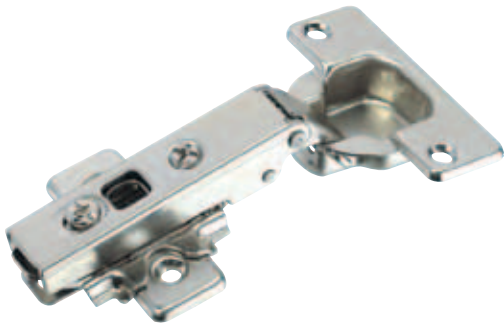
Spec.	Spacing	Material	Finish	Order No.
	0mm	Steel	Nickel-plated	157
	0mm	Steel	Nickel-plated	154
	0mm	Steel	Nickel-plated	162
	0mm	Steel	Nickel-plated	156
	0mm	Steel	Nickel-plated	158
	3mm	Plastic		GP921601BG-AAS

Cover for Hinge (for Snap-on and Non Snap-on)

Spec.	Spacing	Material	Order No.
		Plastic	GP921502BF-ACS
		Steel	GP921503PJ-NZX

9215

Snap-on Hinge 105°



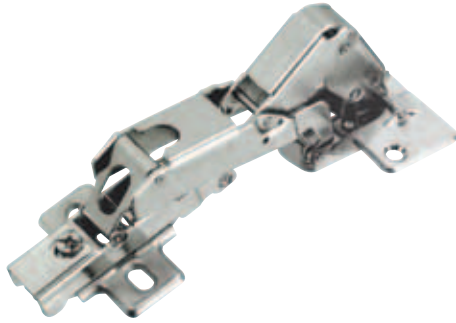
Specifications

- **Cup diameter:** 35mm
- **Hole Depth:** 12mm
- **Opening:** 105°
- **Finish:** Nickel-plated
- **Material:** Cold rolled steel
- **Packing:** 200 pcs/carton
- **Overlay:** 19mm, 16mm, 9mm, 5mm, 0mm

Model	Spec.	Wood Screw		Knock-in Dowel		
Overlay		Hole Pattern	Model No.	Hole Pattern	Model No.	
19mm			52mm	9215-0121-NZH	52mm	9215-0131-NZH
			48mm	9215-0321-NZH	48mm	9215-0331-NZH
			45mm	9215-0221-NZH	45mm	9215-0231-NZH
16mm			52mm	9215-0125-NZH	52mm	9215-0135-NZH
			48mm	9215-0325-NZH	48mm	9215-0335-NZH
			45mm	9215-0225-NZH	45mm	9215-0235-NZH
9mm			52mm	9215-0122-NZH	52mm	9215-0132-NZH
			48mm	9215-0322-NZH	48mm	9215-0332-NZH
			45mm	9215-0222-NZH	45mm	9215-0232-NZH
5mm			52mm	9215-0124-NZH	52mm	9215-0134-NZH
			48mm	9215-0324-NZH	48mm	9215-0334-NZH
			45mm	9215-0224-NZH	45mm	9215-0234-NZH
0mm			52mm	9215-0123-NZH	52mm	9215-0133-NZH
			48mm	9215-0323-NZH	48mm	9215-0333-NZH
			45mm	9215-0223-NZH	45mm	9215-0233-NZH

9219

Snap-on Hinge with 170°



Specifications

- **Cup diameter:** 35mm
- **Hole Depth:** 11mm
- **Opening:** 170°
- **Finish:** Nickel-plated
- **Material:** Cold rolled steel
- **Packing:** 100 pcs/carton
- **Overlay:** 19mm, 9mm, 0mm

Model	Spec.	Wood Screw	Knock-in Dowel			
Overlay		Hole Pattern	Model No.	Hole Pattern	Model No.	
19mm			52mm	9219-0121-NZH	52mm	9219-0131-NZH
			48mm	9219-0321-NZH	48mm	9219-0331-NZH
			45mm	9219-0221-NZH	45mm	9219-0231-NZH
9mm			52mm	9219-0122-NZH	52mm	9216-0132-NZH
			48mm	9219-0322-NZH	48mm	9219-0332-NZH
			45mm	9219-0222-NZH	45mm	9219-0232-NZH
0mm			52mm	9219-0123-NZH	52mm	9216-0133-NZH
			48mm	9219-0323-NZH	48mm	9219-0333-NZH
			45mm	9219-0223-NZH	45mm	9219-0233-NZH

9220

Snap-on Hinge for
Aluminum - Frame Door 105°



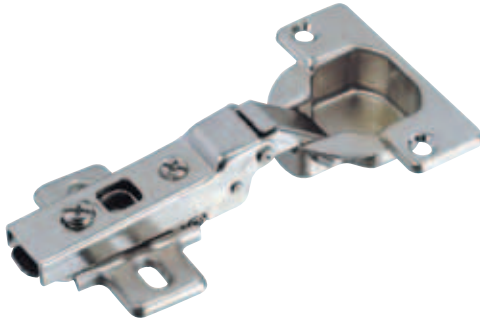
Specifications

- **Opening:** 105°
- **Finish:** Nickel-plated
- **Material:** Cold rolled steel
- **Packing:** 200 pcs/carton
- **Overlay:** 17.2mm, 13.7mm, 8.2mm, 3.2mm, 0mm

Model	Profile dimensions and drilling details		
Overlay			Model No.
17.2mm			9220-0121-NZH
13.7mm			9220-0125-NZH
8.2mm			9220-0122-NZH
3.2mm			9220-0124-NZH
0mm			9220-0123-NZH

9216

Snap-on Hinge for Thick Door 92°



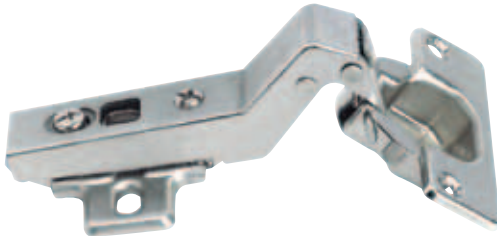
Specifications

- **Cup diameter:** 40mm
- **Hole Depth:** 13.5mm
- **Opening:** 92°
- **Finish:** Nickel-plated
- **Material:** Cold rolled steel
- **Packing:** 200 pcs/carton
- **Overlay:** 19mm, 10mm, 0mm

Model	Spec.	Wood Screw		Knock-in Dowel	
Overlay		Hole Pattern	Model No.	Hole Pattern	Model No.
19mm		52mm	9216-0121-NZH	52mm	9216-0131-NZH
10mm		52mm	9216-0122-NZH	52mm	9216-0132-NZH
0mm		52mm	9216-0123-NZH	52mm	9216-0133-NZH

9227

Cross Corner Snap-on Hinge



Specifications

- **Cup diameter:** 35mm
- **Hole Depth:** 12mm
- **Opening:** 105°
- **Finish:** Nickel-plated
- **Material:** Cold rolled steel & zinc
- **Packing:** 200 pcs/carton
- **Application:** for Corner cabinets with flush front

Model	Spec.	Wood Screw		Knock-in Dowel	
Overlay		Hole Pattern	Model No.	Hole Pattern	Model No.
30°		52mm	9227-A120-NZH	52mm	9227-A130-NZH
45°		52mm	9227-B120-NZH	52mm	9227-B130-NZH
60°		52mm	9227-C120-NZH	52mm	9227-C130-NZH

9229-D1

Blind Corner Snap-on Hinge



Specifications

- **Cup diameter:** 35mm
- **Hole Depth:** 12mm
- **Opening:** 105°
- **Finish:** Nickel-plated
- **Material:** Cold rolled steel
- **Packing:** 200 pcs/carton
- **Applications:** For Blind Corner

Model	Spec.		Wood Screw		Knock-in Dowel	
Overlay			Hole Pattern	Model No.	Hole Pattern	Model No.
	The applying instruction is as the following		52mm	9229-0120-NZH	52mm	9229-D130-NZH

9234

Snap-on Hinge for Corner Cabinets



Specifications

- **Cup diameter:** 35mm
- **Hole Depth:** 12mm
- **Opening:** 105°
- **Finish:** Nickel-plated
- **Material:** Cold rolled steel & zinc
- **Packing:** 100 pcs/carton
- **Overlay:** for Corner cabinets with bi-fold door

Model	Spec.	Wood Screw		Knock-in Dowel	
Overlay		Hole Pattern	Model No.	Hole Pattern	Model No.
	The applying instruction is as the following	52mm	9234-0120-NZH	52mm	9234-0130-NZH

1

2

3

T1	D
19	6
20	5
21	4

4

T	C	R
18	0	0
19	1	2
20	2	3.5
21	3	5

5

Base Plates for Snap-on Hinges (for 9261, 9215, 9219, 9220, 9216, 9227, 9229-D1, 9234)

Spec.	Spacing	Material	Finish	Order No.
	0mm	Steel	Nickel-plated	146
	0mm	Steel	Nickel-plated	143
	0mm	Steel	Nickel-plated	150
	0mm	Steel	Nickel-plated	151
	0mm	Steel	Nickel-plated	159
	3mm	Plastic		GP921601BG-AAS
	0mm	Steel	Nickel-plated	201
	0mm	Steel	Nickel-plated	213

9239

Hinge with 26mm Cup 90°



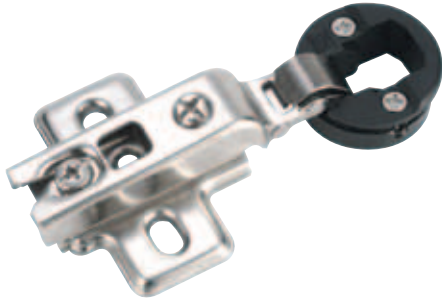
Specifications

- **Cup diameter:** 26mm
- **Hole Depth:** 13mm
- **Opening:** 90°
- **Finish:** Nickel-plated
- **Material:** Cold rolled steel
- **Packing:** 200 pcs/carton
- **Overlay:** 19mm, 9mm, 0mm

Model	Spec.		Wood Screw		Knock-in Dowel	
Overlay			Hole Pattern	Model No.	Hole Pattern	Model No.
19mm			36mm	9239-0221-NZH	36mm	9239-0231-NZH
9mm			36mm	9239-0222-NZH	36mm	9239-0232-NZH
0mm			36mm	9239-0223-NZH	36mm	9239-0233-NZH

9105

Hinge for glass door with
26mm Cup 90°



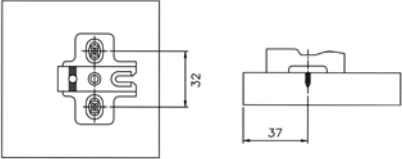

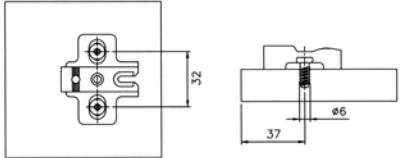

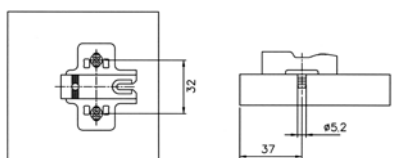

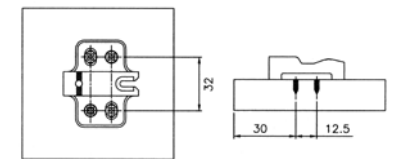

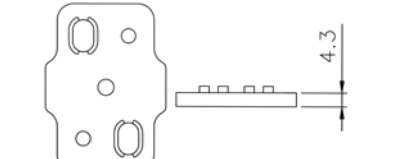

Specifications

- **Cup diameter:** 26mm
- **Suitable for Glass Door:** 3-5mm
- **Opening:** 90°
- **Finish:** Nickel-plated
- **Material:** Cold rolled steel
- **Packing:** 200 pcs/carton
- **Overlay:** 19mm, 9mm, 0mm

Model	Spec.		Model No.
Overlay			
19mm			9105-0121-NCH
9mm			9105-0122-NCH
0mm			9105-0123-NCH

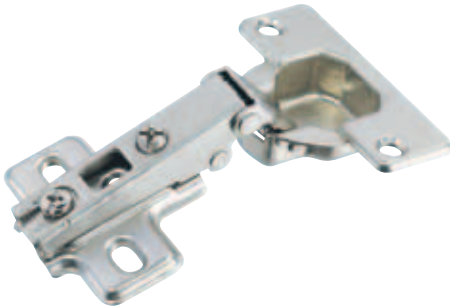
Model	Spec.	Material	Color	Model No.
		Plastic	Gold	62ME
		Plastic	Chrome	62MA
		Zinc Alloy	Nickel	62N

Base Plates for 9239, 9105 Hinge

Spec.		Material	Finish	Order No.
		Steel	Nickel-plated	154
		Steel	Nickel-plated	162
		Steel	Nickel-plated	156
		Steel	Nickel-plated	158
		Plastic		GP921601BG-AAS

9203-05

Concealed Hinge 95°



Specifications

- **Cup diameter:** 35mm
- **Hole Depth:** 11.5mm
- **Opening:** 95°
- **Finish:** Nickel-plated
- **Material:** Cold rolled steel
- **Packing:** Unit Packed: 2 pcs/polybag, 50polygab/box
Bulk Packed: 200 pcs/carton
- **Overlay:** 19mm, 9mm, 5mm, 0mm

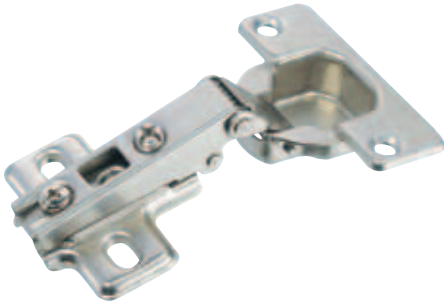
Model	Spec.	Wood Screw		Knock-in Dowel	
Overlay		Hole Pattern	Model No.	Hole Pattern	Model No.
19mm		52mm	9203-0521-NZH	52mm	9203-0531-NZH
		48mm	9203-1621-NKH	48mm	9203-1631-NKH
		45mm	9203-0921-NZH	45mm	9203-0931-NZH
9mm		52mm	9203-0522-NZH	52mm	9203-0532-NZH
		48mm	9203-1622-NKH	48mm	9203-1632-NKH
		45mm	9203-0922-NZH	45mm	9203-0932-NZH

Door Overlay

19mm	9mm	5mm	0mm

9203-07

Concealed Hinge 105°



Specifications

- **Cup diameter:** 35mm
- **Hole Depth:** 11.5mm
- **Opening:** 105°
- **Finish:** Nickel-plated
- **Material:** Cold rolled steel
- **Packing:** Unit Packed: 2 pcs/polybag, 50polygab/box
Bulk Packed: 200 pcs/carton
- **Overlay:** 19mm, 9mm, 5mm, 0mm

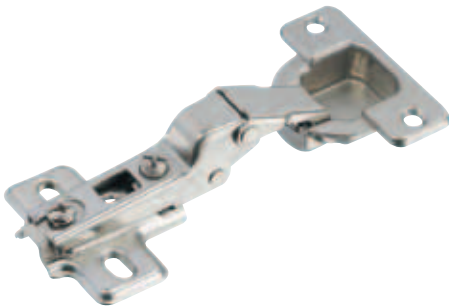
Model		Wood Screw		Knock-in Dowel	
Overlay		Hole Pattern	Model No.	Hole Pattern	Model No.
19mm		52mm	9203-0721-NZH	52mm	9203-0731-NZH
		48mm	9203-1721-NZH	48mm	9203-1731-NZH
		45mm	9203-1121-NZH	45mm	9203-1131-NZH
9mm		52mm	9203-0722-NZH	52mm	9203-0732-NZH
		48mm	9203-1722-NZH	48mm	9203-1732-NZH
		45mm	9203-1122-NZH	45mm	9203-1132-NZH

Door Overlay

19mm	9mm	5mm	0mm

9208

Concealed Hinge for Thick Door 95°



Specifications

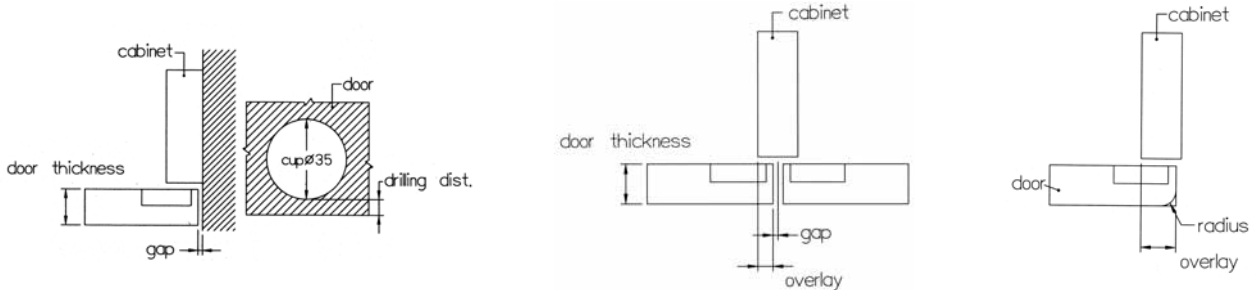
- **Cup diameter:** 35mm
- **Hole Depth:** 11.5mm
- **Opening:** 95°
- **Finish:** Nickel-plated
- **Material:** Cold rolled steel
- **Packing:** Unit Packed: 2 pcs/polybag, 50polygab/box
Bulk Packed: 200 pcs/carton
- **Overlay:** 19mm, 9mm, 5mm, 0mm

Model		Wood Screw		Knock-in Dowel	
Overlay		Hole Pattern	Model No.	Hole Pattern	Model No.
19mm		45mm	9208-0221-NZH	45mm	9208-0231-NZH
9mm		45mm	9208-0222-NZH	45mm	9208-0232-NZH

Door Overlay

19mm	9mm	5mm	0mm

9208 Installation Instruct



Full Overlay

Door thickness	Drilling Dist.	Overlay	Gap	Min. radius	Remark
> 30mm	5 ± 0.5mm	16 ~ 18.5mm	0	0	Use base plates #088,084
30mm ~ 33mm	5 ± 0.5mm	16 ~ 18.5mm	Min. 2.2mm	3R	
33mm ~ 36mm	5 ± 0.5mm	16 ~ 18.5mm	Min. 2.7mm	3R	

Half Overlay

Door thickness	Drilling Dist.	Overlay	Gap	Min. radius	Remark
> 30mm	5 ± 0.5mm	10 ~ 7.5mm	0	0	Use base plates #088,084
30mm ~ 33mm	5 ± 0.5mm	10 ~ 7.5mm	Min. 2.2mm	3R	
33mm ~ 36mm	5 ± 0.5mm	10 ~ 7.5mm	Min. 2.7mm	3R	

Inset

Door thickness	Drilling Dist.	Gap	Min. radius	Remark
> 30mm	5 ± 0.5mm	0	0	Use base plates #121, #GP920302BG-AA1
30mm ~ 33mm	5 ± 0.5mm	1	6R	
	9.5 ± 0.5mm		0	
33mm ~ 36mm	9.5 ± 0.5mm	1	6R	

Base Plates for 9203-05, 9203-07, 9208

Spec.		Material	Finish	Model No.
		Steel	Nickel-plated	088
		Steel	Nickel-plated	092
		Steel	Nickel-plated	084
		Steel	Nickel-plated	114
		Steel	Nickel-plated	095
		Steel	Nickel-plated	121
		Plastic		GP920302BG-AA1

Cover for 9203-05, 9203-07, 9208

Spec.		Material	Model No.
		Plastic	GG920304BB-ACS

9210

Concealed Hinge with short Arm



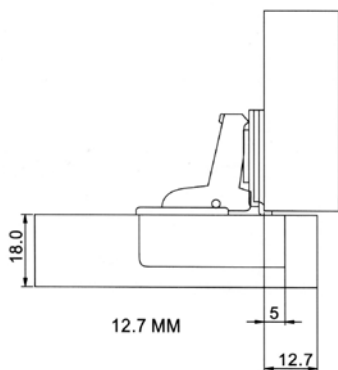
Specifications

- **Cup diameter:** 35mm
- **Hole Depth:** 11.5mm
- **Opening:** 105°
- **Finish:** Nickel-plated
- **Material:** Cold rolled steel
- **Packing:** Unit Packed: 2 pcs/polybag, 50polygab/box
Bulk Packed: 200 pcs/carton
- **Overlay:** 12mm

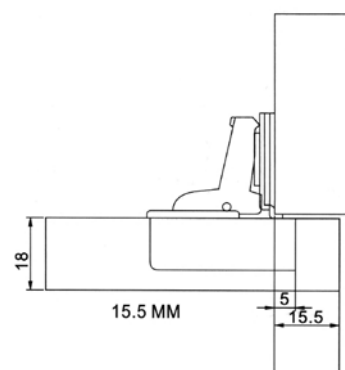
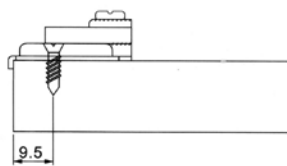
Model		Wood Screw		Knock-in Dowel	
Overlay		Hole Pattern	Model No.	Hole Pattern	Model No.
12mm		52mm	9210-0122-NZH	52mm	9210-0132-NZH

Material	Finish		Order No.		Order No.
Steel	Nickel-plated		100		174

Door Overlay



Complied with base plate No.100

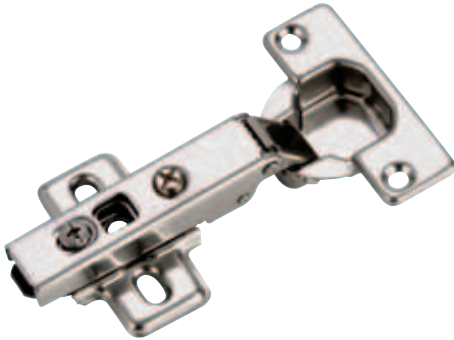


Complied with base plate No.174

9232

Stainless Steel

Concealed Hinge 105°



Specifications

- **Cup diameter:** 35mm
- **Hole Depth:** 12mm
- **Opening:** 105°
- **Finish:** polished
- **Material:** 304 Stainless steel
- **Packing:** Unit Packed: 2 pcs/polybag, 50polygab/box
Bulk Packed: 200 pcs/carton
- **Overlay:** 19mm

Model	Spec.	Wood Screw	Knock-in Dowel			
Overlay		Hole Pattern	Model No.	Hole Pattern	Model No.	
19mm			48mm	9232-0321-NXH.A50	48mm	9232-0321-NXH.A50

Base Plates for Hinge

Spec.	Spacing	Material	Finish	Order No.
	0mm	304 Stainless steel	Polish	150

Cover for Hinge

Spec.	Material	Order No.
	Stainless steel	GGH21503PJ-NZK

9302

Plug-in buffering damper for hinge



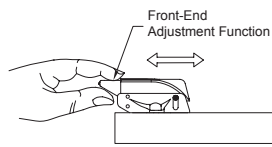
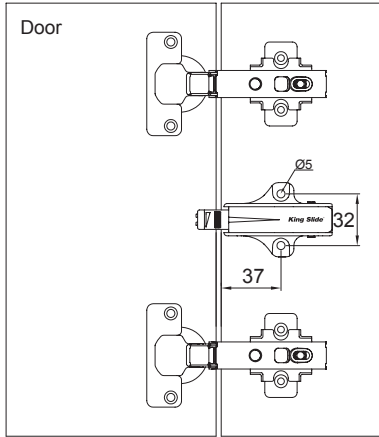
Specifications

- **Length:** 85mm
- **Packing:** 100 pcs/carton
- **Overlay:** 19mm, 9mm, 0mm

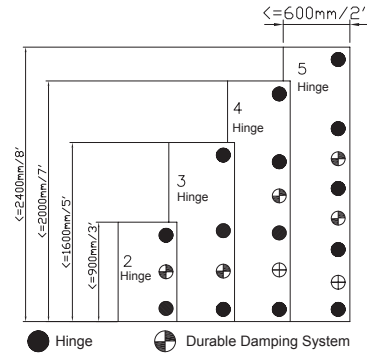
Overlay	Spec.	Maerial	Model No.
9mm		Plastic	0A01A101-AZ0-IS
19mm 0mm		Plastic	0A010101-AI0-IS

9302 Assembly Position & Number Required

Overlay: 9mm



- A Turning the front-end adjustment function can change the closing speed
- B Press the durable damping system for resetting after adjusting

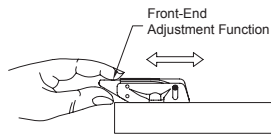
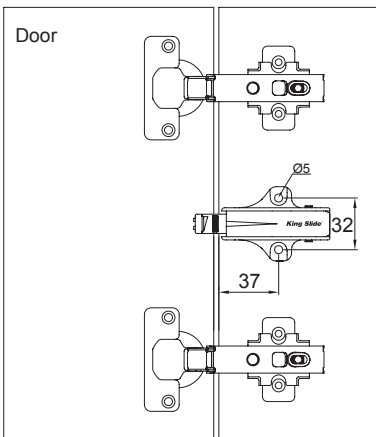


● Hinge ⊕ Durable Damping System

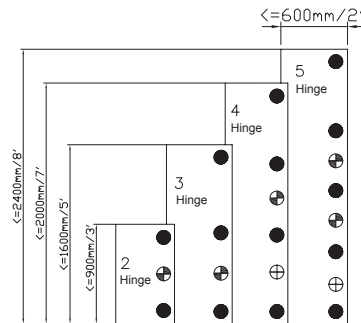
⊕ Add the durable damping system

1. Please refer to the picture to install the hinges and durable damping systems.
2. We suggest the durable damping system should be installed 10cm lower from middle between two hinges to have better function

Overlay: 19mm



- A Turning the front-end adjustment function can change the closing speed
- B Press the durable damping system for resetting after adjusting

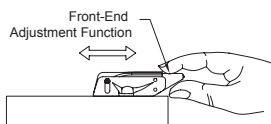
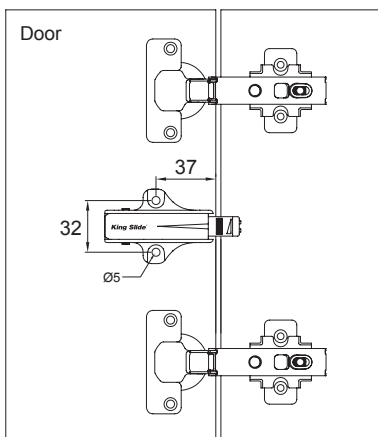


● Hinge ⊕ Durable Damping System

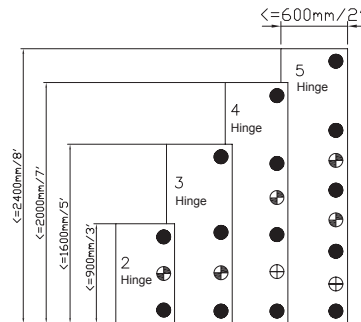
⊕ Add the durable damping system

1. Please refer to the picture to install the hinges and durable damping systems.
2. We suggest the durable damping system should be installed 10cm lower from middle between two hinges to have better function

Overlay: 0mm



- A Turning the front-end adjustment function can change the closing speed
- B Press the durable damping system for resetting after adjusting



● Hinge ⊕ Durable Damping System

⊕ Add the durable damping system

1. Please refer to the picture to install the hinges and durable damping systems.
2. We suggest the durable damping system should be installed 10cm lower from middle between two hinges to have better function

Inches to Millimeters Conversion Chart

	0	1	2	3	4	5	6	7	8	9	10	11	12	13	14	15
1/64	0.40	25.80	51.20	76.60	102.00	127.40	152.80	178.20	203.60	229.00	254.40	279.80	305.20	330.60	356.00	381.40
1/32	0.79	26.19	51.59	76.99	102.39	127.79	153.19	178.59	203.99	229.39	254.79	280.19	305.59	330.99	356.39	381.79
3/64	1.19	26.59	51.99	77.39	102.79	128.19	153.59	178.99	204.39	229.79	255.19	280.59	305.99	331.39	356.79	382.19
1/16	1.59	26.99	52.39	77.79	103.19	128.59	153.99	179.39	204.79	230.19	255.59	280.99	306.39	331.79	357.19	382.59
5/64	1.98	27.38	52.78	78.18	103.58	128.98	154.38	179.78	205.18	230.58	255.98	281.38	306.78	332.18	357.58	382.98
3/32	2.38	27.78	53.18	78.58	103.98	129.38	154.78	180.18	205.58	230.98	256.38	281.78	307.18	332.58	357.98	383.38
7/64	2.78	28.18	53.58	78.98	104.38	129.78	155.18	180.58	205.98	231.38	256.78	282.18	307.58	332.98	358.38	383.78
1/8	3.18	28.58	53.98	79.38	104.78	130.18	155.58	180.98	206.38	231.78	257.18	282.58	307.98	333.38	358.78	384.18
9/64	3.57	28.97	54.37	79.77	105.17	130.57	155.97	181.37	206.77	232.17	257.57	282.97	308.37	333.77	359.17	384.57
5/32	3.97	29.37	54.77	80.17	105.57	130.97	156.37	181.77	207.17	232.57	257.97	283.37	308.77	334.17	359.57	384.97
11/64	4.37	29.77	55.17	80.57	105.97	131.37	156.77	182.17	207.57	232.97	258.37	283.77	309.17	334.57	359.97	385.37
3/16	4.76	30.16	55.56	80.96	106.36	131.76	157.16	182.56	207.96	233.36	258.76	284.16	309.56	334.96	360.36	385.76
13/64	5.16	30.56	55.96	81.36	106.76	132.16	157.56	182.96	208.36	233.76	259.16	284.56	309.96	335.36	360.76	386.16
7/32	5.56	30.96	56.36	81.76	107.16	132.56	157.96	183.36	208.76	234.16	259.56	284.96	310.36	335.76	361.16	386.56
15/64	5.95	31.35	56.75	82.15	107.55	132.95	158.35	183.75	209.15	234.55	259.95	285.35	310.75	336.15	361.55	386.95
1/4	6.35	31.75	57.15	82.55	107.95	133.35	158.75	184.15	209.55	234.95	260.35	285.75	311.15	336.55	361.95	387.35
17/64	6.75	32.15	57.55	82.95	108.35	133.75	159.15	184.55	209.95	235.35	260.75	286.15	311.55	336.95	362.35	387.75
9/32	7.14	32.54	57.94	83.34	108.74	134.14	159.54	184.94	210.34	235.74	261.14	286.54	311.94	337.34	362.74	388.14
19/64	7.54	32.94	58.34	83.74	109.14	134.54	159.94	185.34	210.74	236.14	261.54	286.94	312.34	337.74	363.14	388.54
5/16	7.94	33.34	58.74	84.14	109.54	134.94	160.34	185.74	211.14	236.54	261.94	287.34	312.74	338.14	363.54	388.94
21/64	8.33	33.73	59.13	84.53	109.93	135.33	160.73	186.13	211.53	236.93	262.33	287.73	313.13	338.53	363.93	389.33
11/32	8.73	34.13	59.53	84.93	110.33	135.73	161.13	186.53	211.93	237.33	262.73	288.13	313.53	338.93	364.33	389.73
23/64	9.13	34.53	59.93	85.33	110.73	136.13	161.53	186.93	212.33	237.73	263.13	288.53	313.93	339.33	364.73	390.13
3/8	9.53	34.93	60.33	85.73	111.13	136.53	161.93	187.33	212.73	238.13	263.53	288.93	314.33	339.73	365.13	390.53
25/64	9.92	35.32	60.72	86.12	111.52	136.92	162.32	187.72	213.12	238.52	263.92	289.32	314.72	340.12	365.52	390.92
13/32	10.32	35.72	61.12	86.52	111.92	137.32	162.72	188.12	213.52	238.92	264.32	289.72	315.12	340.52	365.92	391.32
27/64	10.72	36.12	61.52	86.92	112.32	137.72	163.12	188.52	213.92	239.32	264.72	290.12	315.52	340.92	366.32	391.72
7/16	11.11	36.51	61.91	87.31	112.71	138.11	163.51	188.91	214.31	239.71	265.11	290.51	315.91	341.31	366.71	392.11
29/64	11.51	36.91	62.31	87.71	113.11	138.51	163.91	189.31	214.71	240.11	265.51	290.91	316.31	341.71	367.11	392.51
15/32	11.91	37.31	62.71	88.11	113.51	138.91	164.31	189.71	215.11	240.51	265.91	291.31	316.71	342.11	367.51	392.91
31/64	12.30	37.70	63.10	88.50	113.90	139.30	164.70	190.10	215.50	240.90	266.30	291.70	317.10	342.50	367.90	393.30
1/2	12.70	38.10	63.50	88.90	114.30	139.70	165.10	190.50	215.90	241.30	266.70	292.10	317.50	342.90	368.30	393.70

Inches to Millimeters Conversion Chart

	0	1	2	3	4	5	6	7	8	9	10	11	12	13	14	15
33/64	13.10	38.50	63.90	89.30	114.70	140.10	165.50	190.90	216.30	241.70	267.10	292.50	317.90	343.30	368.70	394.10
17/32	13.49	38.89	64.29	89.69	115.09	140.49	165.89	191.29	216.69	242.09	267.49	292.89	318.29	343.69	369.09	394.49
35/64	13.89	39.29	64.69	90.09	115.49	140.89	166.29	191.69	217.09	242.49	267.89	293.29	318.69	344.09	369.49	394.89
9/16	14.29	39.69	65.09	90.49	115.89	141.29	166.69	192.09	217.49	242.89	268.29	293.69	319.09	344.49	369.89	395.29
37/64	14.68	40.08	65.48	90.88	116.28	141.68	167.08	192.48	217.88	243.28	268.68	294.08	319.48	344.88	370.28	395.68
19/32	15.08	40.48	65.88	91.28	116.68	142.08	167.48	192.88	218.28	243.68	269.08	294.48	319.88	345.28	370.68	396.08
39/64	15.48	40.88	66.28	91.68	117.08	142.48	167.88	193.28	218.68	244.08	269.48	294.88	320.28	345.68	371.08	396.48
5/8	15.88	41.28	66.68	92.08	117.48	142.88	168.28	193.68	219.08	244.48	269.88	295.28	320.68	346.08	371.48	396.88
41/64	16.27	41.67	67.07	92.47	117.87	143.27	168.67	194.07	219.47	244.87	270.27	295.67	321.07	346.47	371.87	397.27
21/32	16.67	42.07	67.47	92.87	118.27	143.67	169.07	194.47	219.87	245.27	270.67	296.07	321.47	346.87	372.27	397.67
43/64	17.07	42.47	67.87	93.27	118.67	144.07	169.47	194.87	220.27	245.67	271.07	296.47	321.87	347.27	372.67	398.07
11/16	17.46	42.86	68.26	93.66	119.06	144.46	169.86	195.26	220.66	246.06	271.46	296.86	322.26	347.66	373.06	398.46
45/64	17.86	43.26	68.66	94.06	119.46	144.86	170.26	195.66	221.06	246.46	271.86	297.26	322.66	348.06	373.46	398.86
23/32	18.26	43.66	69.06	94.46	119.86	145.26	170.66	196.06	221.46	246.86	272.26	297.66	323.06	348.46	373.86	399.26
47/64	18.65	44.05	69.45	94.85	120.25	145.65	171.05	196.45	221.85	247.25	272.65	298.05	323.45	348.85	374.25	399.65
3/4	19.05	44.45	69.85	95.25	120.65	146.05	171.45	196.85	222.25	247.65	273.05	298.45	323.85	349.25	374.65	400.05
49/64	19.45	44.85	70.25	95.65	121.05	146.45	171.85	197.25	222.65	248.05	273.45	298.85	324.25	349.65	375.05	400.45
25/32	19.84	45.24	70.64	96.04	121.44	146.84	172.24	197.64	223.04	248.44	273.84	299.24	324.64	350.04	375.44	400.84
51/64	20.24	45.64	71.04	96.44	121.84	147.24	172.64	198.04	223.44	248.84	274.24	299.64	325.04	350.44	375.84	401.24
13/16	20.64	46.04	71.44	96.84	122.24	147.64	173.04	198.44	223.84	249.24	274.64	300.04	325.44	350.84	376.24	401.64
53/64	21.03	46.43	71.83	97.23	122.63	148.03	173.43	198.83	224.23	249.63	275.03	300.43	325.83	351.23	376.63	402.03
27/32	21.43	46.83	72.23	97.63	123.03	148.43	173.83	199.23	224.63	250.03	275.43	300.83	326.23	351.63	377.03	402.43
55/64	21.83	47.23	72.63	98.03	123.43	148.83	174.23	199.63	225.03	250.43	275.83	301.23	326.63	352.03	377.43	402.83
7/8	22.23	47.63	73.03	98.43	123.83	149.23	174.63	200.03	225.43	250.83	276.23	301.63	327.03	352.43	377.83	403.23
57/64	22.62	48.02	73.42	98.82	124.22	149.62	175.02	200.42	225.82	251.22	276.62	302.02	327.42	352.82	378.22	403.62
29/32	23.02	48.42	73.82	99.22	124.62	150.02	175.42	200.82	226.22	251.62	277.02	302.42	327.82	353.22	378.62	404.02
59/64	23.42	48.82	74.22	99.62	125.02	150.42	175.82	201.22	226.62	252.02	277.42	302.82	328.22	353.62	379.02	404.42
15/16	23.81	49.21	74.61	100.01	125.41	150.81	176.21	201.61	227.01	252.41	277.81	303.21	328.61	354.01	379.41	404.81
61/64	24.21	49.61	75.01	100.41	125.81	151.21	176.61	202.01	227.41	252.81	278.21	303.61	329.01	354.41	379.81	405.21
31/32	24.61	50.01	75.41	100.81	126.21	151.61	177.01	202.41	227.81	253.21	278.61	304.01	329.41	354.81	380.21	405.61
63/64	25.00	50.40	75.80	101.20	126.60	152.00	177.40	202.80	228.20	253.60	279.00	304.40	329.80	355.20	380.60	406.00
1	25.40	50.80	76.20	101.60	127.00	152.40	177.80	203.20	228.60	254.00	279.40	304.80	330.20	355.60	381.00	406.40

King Slide[®]

www.kingslide.com

HEADQUARTER

King Slide Works Co., Ltd.

No. 299, Shun An Rd., Lu Zhu Dist.,
Kaohsiung City 82150, Taiwan
TEL: +886-7-959-9688
FAX: +886-7-696-7018
E-mail: sales@kingslide.com
Website: www.kingslide.com

King Slide Technology Co., Ltd.

No. 6, Luke 9th Rd.,
Kaohsiung Science Park, Lu Zhu Dist.,
Kaohsiung City 82151, Taiwan
TEL: +886-7-976-1688
FAX: +886-7-950-2345
E-mail: sales@kingslide.com

China Area

King Slide Technology (China) Co., Ltd.

Building 11, No.509 Renqing Rd.,
High-Tech Zhangjiang Eastern Zone,
Shanghai 201201, China
TEL: +86-21-5011-1899
FAX: +86-21-5068-9988
E-mail: sales@kingslide.com

China Beijing Office

Room 602, Unit 2, Building 11,
Xima Jinrun Second Zone,
Fengtai District, Beijing, China
TEL: +86-010-87729381
FAX: +86-010-87729381
E-mail: sales@kingslide.com

Oversea Area

King Slide USA, Inc.

12989 Bellaire Blvd #8,
Houston TX 77072, USA
TEL: +1-713-750-9063
FAX: +1-713-750-9127
E-mail: sales@kingslide.com

King Slide reserves the right to alter specifications of all the products without notice.

The actual product may vary from the illustration. If the entity is different from the illustration, please refer to the entity.