

4

Ball Bearing Slides

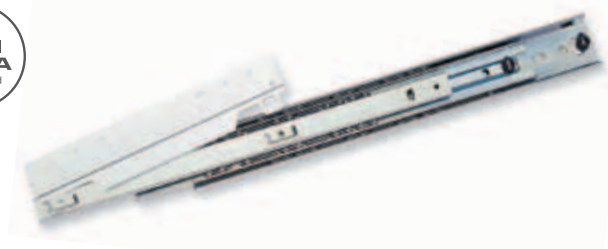
King Slide offers a variety of ball bearing slides. Consistent high quality product and well planned production capacity in our factories have earned the trust of customers world-wide.

Choosing King Slide will keep you away from frequent annoyances such as doubtful loading capacity and short product life cycle. The best slide comes from King Slide. Our quality is the best warranty.



3722 Heavy Duty Slide

-With Quick Mount / Disconnect



Specifications

- **Length:** 305mm to 812mm (12" to 32")
- **Profile:** 53mm x 19mm
- **Travel:** Full Extension
- **Side Space:** 22.5mm (+0.5mm-0mm)
- **Height:** 53mm (2.09")
- **Max. Loading:** 90 kg (200 lb)
- **Mount:** Side Mount with Bayonet Suspension Bracket
- **Disconnect:** Rail Disconnect
- **Finish:** Clear Zinc or Black
- **Material:** Cold Rolled Steel

Packing

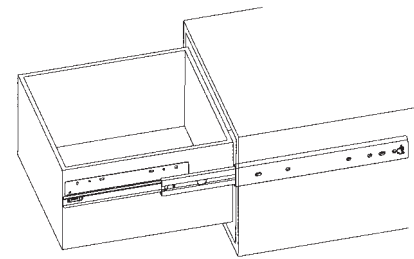
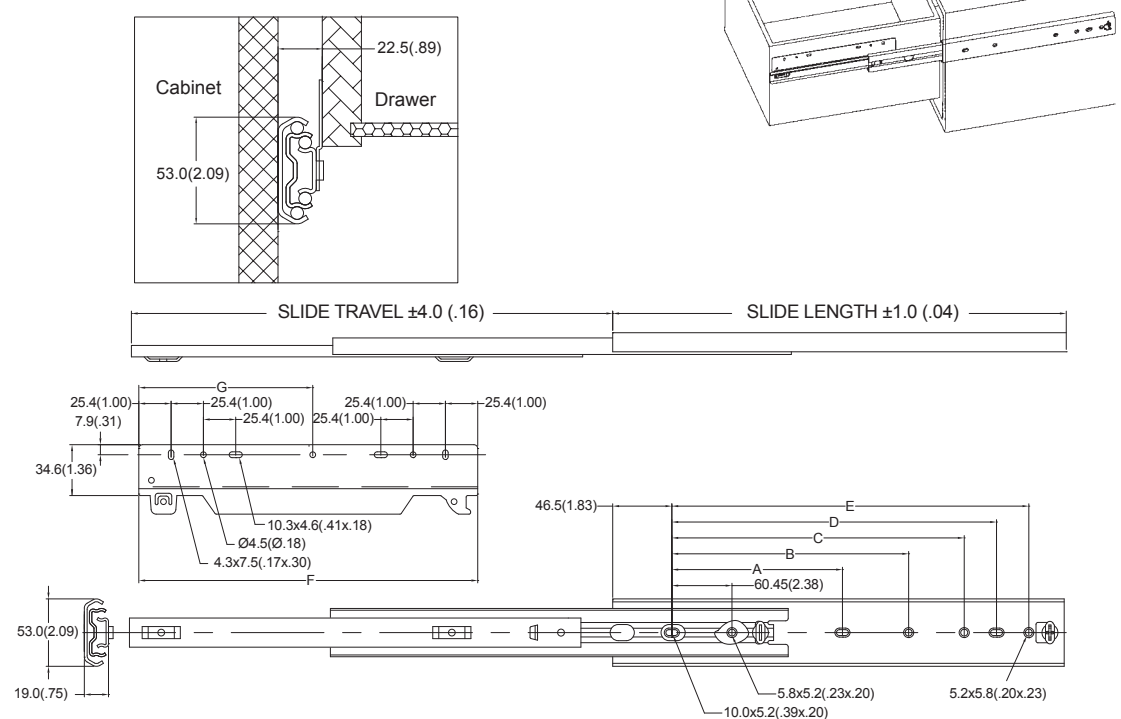
- Unit Packed in 6 pairs/carton

Applications

- Wide Lateral File Drawers, Large Storage Drawers and Toolbox

Dimension Specifications

mm (inch)



Note: Holes other than those shown may be in the slide member at King Slide's option and may change without notice.

Item No.	Slide Length mm (inch)	Slide Travel mm (inch)	Loading Capacity kg (lb) / pair	Holes Position mm (inch)						
				A	B	C	D	E	F	G
3722-300	305.0 (12.01)	321.0 (12.64)	90.8 (200.0)	—	136.15 (5.36)	179.85 (7.08)	205.25 (8.08)	230.65 (9.08)	254.0 (10.00)	—
3722-350	355.0 (13.98)	371.0 (14.61)	90.8 (200.0)	—	186.15 (7.33)	229.85 (9.05)	255.25 (10.05)	280.65 (11.05)	254.0 (10.00)	—
3722-400	405.8 (15.98)	425.0 (16.73)	90.8 (200.0)	—	236.95 (9.33)	280.65 (11.05)	306.05 (12.05)	331.45 (13.05)	254.0 (10.00)	—
3722-450	456.6 (17.98)	476.0 (18.74)	90.8 (200.0)	190.5 (7.50)	287.75 (11.33)	331.45 (13.05)	356.85 (14.05)	382.25 (15.05)	305.0 (12.01)	—
3722-500	507.4 (19.98)	528.0 (20.79)	90.8 (200.0)	215.9 (8.50)	338.55 (13.33)	382.25 (15.05)	407.65 (16.05)	433.05 (17.05)	305.0 (12.01)	—
3722-550	558.2 (21.98)	579.0 (22.80)	88.5 (195.0)	241.3 (9.50)	389.35 (15.33)	433.05 (17.05)	458.45 (18.05)	483.85 (19.05)	355.0 (13.98)	178.0 (7.00)
3722-600	609.0 (23.98)	631.0 (24.84)	86.3 (190.0)	266.7 (10.50)	440.15 (17.33)	483.85 (19.05)	509.25 (20.05)	534.65 (21.05)	355.0 (13.98)	178.0 (7.00)
3722-650	659.8 (25.98)	683.0 (26.89)	84.0 (185.0)	292.1 (11.50)	490.95 (19.33)	534.65 (21.05)	560.05 (22.05)	585.45 (23.05)	432.0 (17.01)	216.0 (8.50)
3722-700	710.6 (27.98)	734.0 (28.90)	81.7 (180.0)	317.5 (12.50)	541.75 (21.33)	585.45 (23.05)	610.85 (24.05)	636.25 (25.05)	432.0 (17.01)	216.0 (8.50)
3722-750	761.4 (29.98)	785.0 (30.91)	79.5 (175.0)	342.9 (13.50)	592.55 (23.33)	636.25 (25.05)	661.65 (26.05)	687.05 (27.05)	508.0 (20.00)	254.0 (10.00)
3722-800	812.2 (31.98)	837.0 (32.95)	77.2 (170.0)	368.3 (14.50)	643.35 (25.33)	687.05 (27.05)	712.45 (28.05)	737.85 (29.05)	508.0 (20.00)	254.0 (10.00)

AD01 Heavy Duty Slide -Standard Type



4

Ball Bearing Slides

Specifications

- **Length:** 250mm to 1000mm (10" to 39")
- **Profile:** 53mm x 19.1mm
- **Travel:** Full Extension
- **Side Space:** 19mm (+0.5mm-0mm)
- **Height:** 53mm (2.09")
- **Max. Loading:** 90 kg (200 lb)
- **Mount:** Side Mount
- **Disconnect:** Clip Disconnect
- **Finish:** Clear Zinc or Black
- **Material:** Cold Rolled Steel

Packing

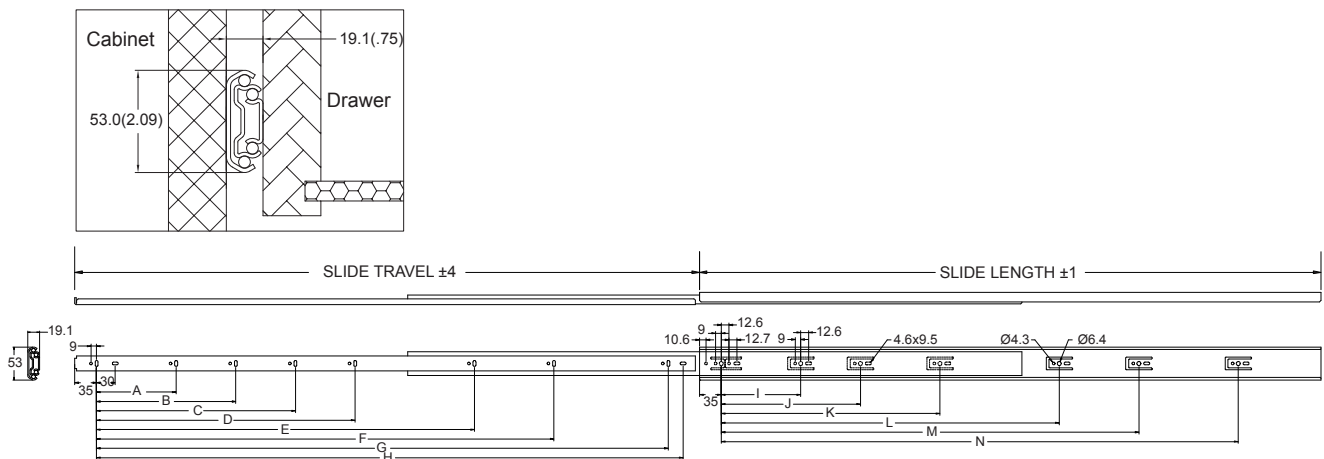
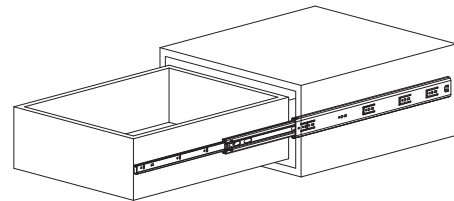
- Unit Packed in 6 pairs/carton

Applications

- Wide Lateral File Drawers, Large Storage Drawers and Toolbox

Dimension Specifications

mm (inch)



Note: Holes other than those shown may be in the slide member at King Slide's option and may change without notice.

Item No.	Slide Length mm (inch)	Slide Travel mm (inch)	Loading Capacity kg (lb) / pair	Holes Position mm (inch)													
				A	B	C	D	E	F	G	H	I	J	K	L	M	N
AD01-250	250.0 (9.84)	256 (10.07)	46 (100.0)	96 (3.77)	—	—	—	—	—	—	—	181 (7.12)	160 (6.33)	—	—	—	—
AD01-300	300.0 (11.81)	306 (12.04)	54 (120.0)	128 (5.04)	220 (8.66)	—	—	—	—	—	—	—	192 (7.55)	—	—	—	—
AD01-350	350.0 (13.78)	356 (14.01)	68 (150.0)	128 (5.04)	270 (10.63)	—	—	—	—	—	—	—	224 (8.81)	—	—	—	—
AD01-400	400.0 (15.75)	406 (15.98)	80 (180.0)	128 (5.04)	320 (12.60)	—	—	—	—	—	—	—	224 (8.81)	320 (12.59)	—	—	—
AD01-450	450.0 (17.72)	456 (17.95)	90 (200.0)	128 (5.04)	320 (12.60)	370 (14.56)	—	—	—	—	—	—	224 (8.81)	352 (13.85)	—	—	—
AD01-500	500.0 (19.69)	506 (19.92)	90 (200.0)	128 (5.04)	224 (8.82)	320 (12.60)	416 (16.38)	—	—	—	—	—	128 (5.03)	256 (10.07)	416 (16.37)	—	—
AD01-550	550.0 (21.65)	556 (21.88)	90 (200.0)	128 (5.04)	224 (8.82)	416 (16.38)	470 (18.50)	—	—	—	—	—	128 (5.03)	352 (13.85)	448 (17.63)	—	—
AD01-600	600.0 (23.62)	606 (23.85)	90 (200.0)	128 (5.04)	224 (8.82)	416 (16.38)	520 (20.47)	—	—	—	—	—	128 (5.03)	352 (13.85)	480 (18.89)	—	—
AD01-650	650.0 (25.59)	656 (25.85)	90 (200.0)	128 (5.04)	224 (8.82)	416 (16.38)	544 (21.42)	570 (22.44)	—	—	—	—	128 (5.03)	352 (13.85)	544 (21.41)	—	—
AD01-700	700.0 (27.55)	706 (27.79)	90 (200.0)	128 (5.04)	224 (8.82)	416 (16.38)	544 (21.42)	620 (24.41)	—	—	—	—	128 (5.03)	224 (8.81)	352 (13.85)	544 (21.41)	—
AD01-750	750.0 (29.52)	756 (29.76)	90 (200.0)	128 (5.04)	224 (8.82)	320 (12.60)	544 (21.42)	670 (26.38)	—	—	—	—	128 (5.03)	224 (8.81)	384 (15.11)	544 (21.41)	—
AD01-800	800.0 (31.49)	812 (31.96)	90 (200.0)	128 (5.04)	224 (8.82)	320 (12.60)	544 (21.42)	720 (28.35)	—	—	—	—	128 (5.03)	224 (8.81)	416 (16.37)	544 (21.41)	672 (26.45)
AD01-850	850.0 (33.46)	861 (33.89)	90 (200.0)	128 (5.04)	224 (8.82)	320 (12.60)	416 (16.37)	544 (21.41)	672 (26.45)	770 (30.31)	—	—	128 (5.03)	224 (8.81)	448 (17.63)	576 (22.67)	704 (27.71)
AD01-900	900.0 (35.43)	911 (35.86)	90 (200.0)	128 (5.04)	224 (8.82)	320 (12.60)	416 (16.37)	544 (21.41)	736 (28.97)	820 (32.28)	—	—	128 (5.03)	224 (8.81)	480 (18.89)	576 (22.67)	736 (28.97)
AD01-950	950.0 (37.40)	961 (37.83)	90 (200.0)	128 (5.04)	224 (8.82)	320 (12.60)	416 (16.37)	608 (23.93)	736 (28.97)	870 (34.25)	—	—	128 (5.03)	224 (8.81)	352 (13.85)	544 (21.41)	672 (26.45)
AD01-1000	1000.0 (39.37)	1011 (39.80)	90 (200.0)	128 (5.04)	224 (8.82)	320 (12.60)	416 (16.37)	608 (23.93)	736 (28.97)	920 (36.22)	—	—	128 (5.03)	224 (8.81)	352 (13.85)	544 (21.41)	672 (26.45)

3713 Heavy Duty Slide -Bayonet Type



Specifications

- **Length:** 305mm to 711mm (12" to 28")
- **Profile:** 53mm x 19mm
- **Travel:** Full Extension
- **Side Space:** 19mm (+0.5mm-0mm)
- **Height:** 53mm (2.09")
- **Max. Loading:** 90 kg (200 lb)
- **Mount:** Side Mount Bayonet with Rail Bracket
- **Disconnect:** Bayonet Disconnect
- **Finish:** Clear Zinc or Black
- **Material:** Cold Rolled Steel

Packing

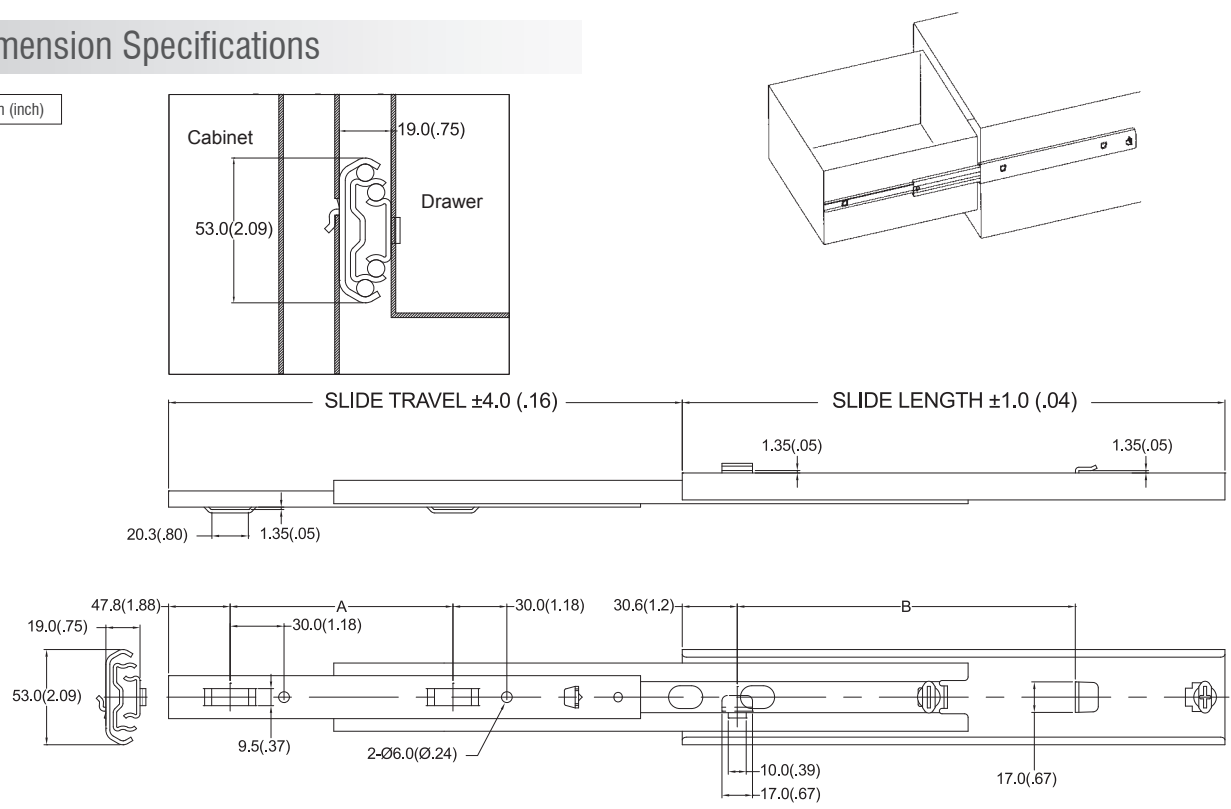
- Unit Packed in 4 pairs/carton

Applications

- Wide Lateral File Drawers, Office Furniture

Dimension Specifications

mm (inch)



Note: Holes other than those shown may be in the slide member at King Slide's option and may change without notice.

Item No.	Slide Length mm (inch)	Slide Travel mm (inch)	Loading Capacity kg (lb) / pair	Holes Position mm (inch)	
				A	B
3713-300	305.0 (12.01)	321.0 (12.64)	90.8 (200.0)	173.0 (6.81)	224.0 (8.82)
3713-350	355.0 (13.98)	371.0 (14.61)	90.8 (200.0)	224.0 (8.82)	275.0 (10.82)
3713-400	405.8 (15.98)	425.0 (16.73)	90.8 (200.0)	275.0 (10.83)	326.0 (12.83)
3713-450	456.6 (17.98)	476.0 (18.74)	90.8 (200.0)	326.0 (12.83)	377.0 (14.84)
3713-500	507.4 (19.98)	528.0 (20.79)	90.8 (200.0)	326.0 (12.83)	377.0 (14.84)
3713-550	558.2 (21.98)	579.0 (22.80)	88.5 (195.0)	377.0 (14.84)	428.0 (16.85)
3713-600	609.0 (23.98)	631.0 (24.84)	86.3 (190.0)	428.0 (16.85)	479.0 (18.86)
3713-650	659.8 (25.98)	683.0 (26.89)	84.0 (185.0)	428.0 (16.85)	479.0 (18.86)
3713-700	710.6 (27.98)	734.0 (28.90)	81.7 (180.0)	479.0 (18.86)	530.0 (20.87)

AF01 Heavy Duty Slide -Standard Type



Specifications

- **Length:** 356mm to 813mm (14" to 32")
- **Profile:** 54.6mm x 17.5mm
- **Travel:** Full Extension
- **Side Space:** 17.5mm (+0.5mm-0mm)
- **Height:** 54.6mm (2.15")
- **Max. Loading:** 68 kg (150 lb)
- **Mount:** Side Mount
- **Disconnect:** Lever Disconnect
- **Finish:** Clear Zinc or Black
- **Material:** Cold Rolled Steel

Packing

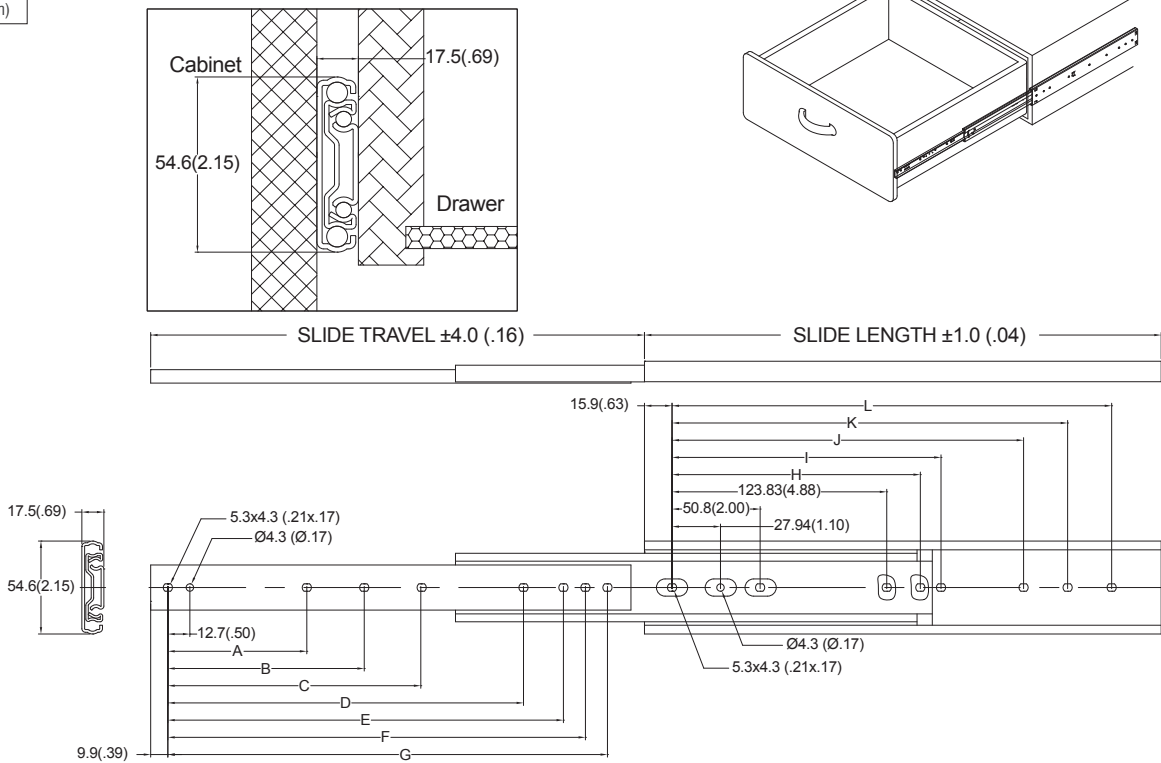
- Unit Packed in 10 pairs/carton
- Bulk Packed in 30 pcs/carton for abinet member
80pcs/carton for drawer member

Applications

- Wide Lateral File Drawers, Large Storage Drawers and Toolbox

Dimension Specifications

mm (inch)



Note: Holes other than those shown may be in the slide member at King Slide's option and may change without notice.

Item No.	Slide Length mm (inch)	Slide Travel mm (inch)	Loading Capacity kg (lb) / pair	Holes Position mm (inch)											
				A	B	C	D	E	F	G	H	I	J	K	L
AF01-356	355.6 (14.00)	381.0 (15.00)	68.1 (150.0)	—	127.0 (5.00)	177.8 (7.00)	—	285.8 (11.25)	298.5 (11.75)	311.2 (12.25)	—	212.7 (8.38)	260.4 (10.25)	285.8 (11.25)	311.2 (12.25)
AF01-406	406.4 (16.00)	431.8 (18.00)	68.1 (150.0)	—	152.4 (6.00)	203.2 (8.00)	—	336.6 (13.25)	349.3 (13.75)	362.0 (14.25)	—	263.5 (10.38)	311.2 (12.25)	336.6 (13.25)	362.0 (14.25)
AF01-457	457.2 (18.00)	482.6 (19.00)	68.1 (150.0)	—	177.8 (7.00)	228.6 (9.00)	314.3 (12.38)	387.4 (15.25)	400.1 (15.75)	412.8 (16.25)	177.8 (7.00)	314.3 (12.38)	362.0 (14.25)	387.4 (15.25)	412.8 (16.25)
AF01-508	508.0 (20.00)	533.4 (21.00)	68.1 (150.0)	123.8 (4.88)	203.2 (8.00)	254.0 (10.00)	365.1 (14.38)	438.2 (17.25)	450.9 (17.75)	463.6 (18.25)	203.2 (8.00)	365.1 (14.38)	412.8 (16.25)	438.2 (17.25)	463.6 (18.25)
AF01-559	558.8 (22.00)	584.2 (23.00)	68.1 (150.0)	123.8 (4.88)	228.6 (9.00)	279.4 (11.00)	415.9 (16.38)	489.0 (19.25)	501.7 (19.75)	514.4 (20.25)	228.6 (9.00)	415.9 (16.38)	463.6 (18.25)	489.0 (19.25)	514.4 (20.25)
AF01-610	609.6 (24.00)	635.0 (25.00)	68.1 (150.0)	123.8 (4.88)	254.0 (10.00)	304.8 (12.00)	466.7 (18.38)	539.8 (21.25)	552.5 (21.75)	565.2 (22.25)	254.0 (10.00)	466.7 (18.38)	514.4 (20.25)	539.8 (21.25)	565.2 (22.25)
AF01-660	660.4 (26.00)	685.8 (27.00)	68.1 (150.0)	123.8 (4.88)	279.4 (11.00)	330.2 (13.00)	517.5 (20.38)	590.6 (23.25)	603.3 (23.75)	616.0 (24.25)	279.4 (11.00)	517.5 (20.38)	565.2 (22.25)	590.6 (23.25)	616.0 (24.25)
AF01-711	711.2 (28.00)	736.6 (29.00)	68.1 (150.0)	123.8 (4.88)	304.8 (12.00)	355.6 (14.00)	568.3 (22.38)	641.4 (25.25)	654.1 (25.75)	666.8 (26.25)	304.8 (12.00)	568.3 (22.38)	616.0 (24.25)	641.4 (25.25)	666.8 (26.25)
AF01-762	762.0 (30.00)	787.6 (31.00)	68.1 (150.0)	123.8 (4.88)	330.2 (13.00)	381.0 (15.00)	619.1 (24.38)	692.2 (27.25)	704.9 (27.75)	717.6 (28.25)	330.2 (13.00)	619.1 (24.38)	666.8 (26.25)	692.2 (27.25)	717.6 (28.25)
AF01-813	812.8 (32.00)	838.2 (33.00)	68.1 (150.0)	123.8 (4.88)	355.6 (14.00)	406.4 (16.00)	669.9 (26.38)	743.0 (29.25)	755.7 (29.75)	768.4 (30.25)	355.6 (14.00)	669.9 (26.38)	717.6 (28.25)	743.0 (29.25)	768.4 (30.25)

AF03 Heavy Duty Slide -Bayonet Type



Specifications

- **Length:** 356mm to 813mm (14" to 32")
- **Profile:** 54.6mm x 17.5mm
- **Travel:** Full Extension
- **Side Space:** 17.5mm (+0.5mm-0mm)
- **Height:** 54.6mm (2.15")
- **Max. Loading:** 68 kg (150 lb)
- **Mount:** Side Mount
- **Disconnect:** Bayonet Disconnect
- **Finish:** Clear Zinc or Black
- **Material:** Cold Rolled Steel

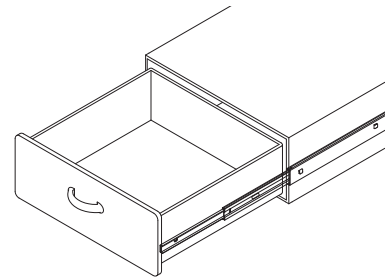
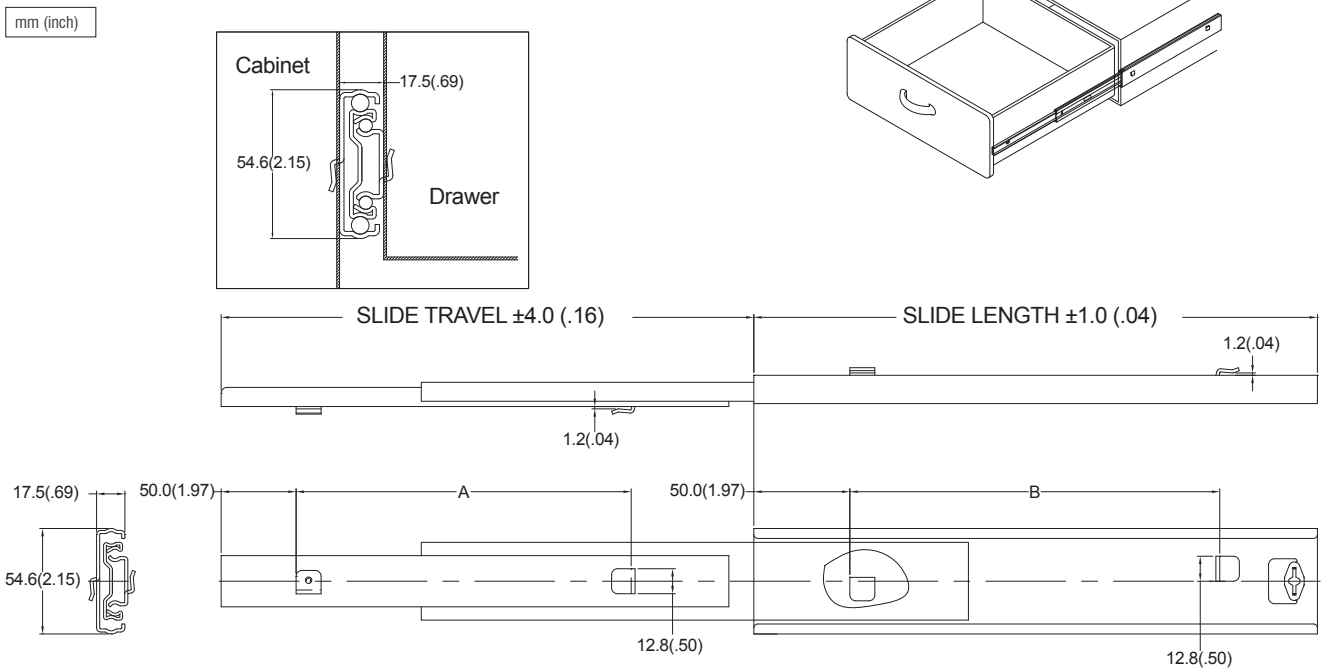
Packing

- Unit Packed in 10 pairs/carton
- Bulk Packed in 20 pcs/carton for cabinet member
- 80pcs/carton for drawer member

Applications

- Wide Lateral File Drawers, Large Storage Drawers and Toolbox

Dimension Specifications



Note: Holes other than those shown may be in the slide member at King Slide's option and may change without notice.

Item No.	Slide Length mm (inch)	Slide Travel mm (inch)	LOADING CAPACITY kg (lb) / pair	Holes Position mm (inch)	
				A	B
AF03-356	355.6 (14.00)	381.0 (15.00)	68.1 (150.0)	250.0 (9.84)	250.0 (9.84)
AF03-406	406.4 (16.00)	431.8 (18.00)	68.1 (150.0)	300.0 (12.00)	300.0 (12.00)
AF03-457	457.2 (18.00)	482.6 (19.00)	68.1 (150.0)	350.0 (13.78)	350.0 (13.78)
AF03-508	508.0 (20.00)	533.4 (21.00)	68.1 (150.0)	400.0 (15.75)	400.0 (15.75)
AF03-559	558.8 (22.00)	584.2 (23.00)	68.1 (150.0)	450.0 (17.72)	450.0 (17.72)
AF03-610	609.6 (24.00)	635.0 (25.00)	68.1 (150.0)	500.0 (19.69)	500.0 (19.69)
AF03-660	660.4 (26.00)	685.8 (27.00)	68.1 (150.0)	550.0 (21.65)	550.0 (21.65)
AF03-711	711.2 (28.00)	736.6 (29.00)	68.1 (150.0)	600.0 (23.62)	600.0 (23.62)
AF03-762	762.0 (30.00)	787.6 (31.00)	68.1 (150.0)	650.0 (25.59)	650.0 (25.59)
AF03-813	812.8 (32.00)	838.2 (33.00)	68.1 (150.0)	700.0 (27.56)	700.0 (27.56)

3X01 Heavy Duty Slide -Standard Type



Specifications

- **Length:** 356mm to 813mm (14" to 32")
- **Profile:** 54mm x 16mm
- **Travel:** Full Extension
- **Side Space:** 16mm (+0.5mm-0mm)
- **Height:** 54mm (2.13")
- **Max. Loading:** 68 kg (150 lb)
- **Mount:** Side Mount
- **Disconnect:** Lever Disconnect
- **Finish:** Clear Zinc or Black
- **Material:** Cold Rolled Steel

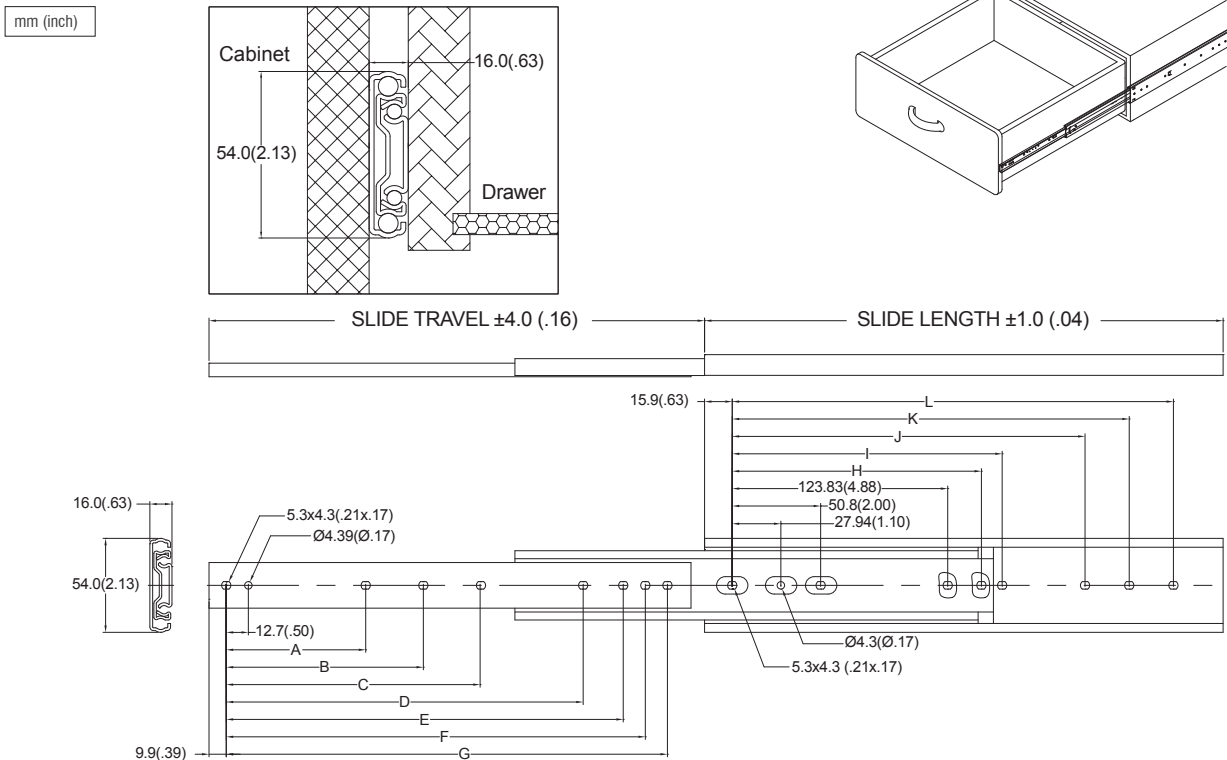
Packing

- Unit Packed in 10 pairs/carton
- Bulk Packed in 20 pcs/carton for cabinet member 80pcs/carton for drawer member

Applications

- Applications: Wide Lateral File Drawers, Large Storage Drawers and Toolbox

Dimension Specifications



Note: Holes other than those shown may be in the slide member at King Slide's option and may change without notice.

Item No.	Slide Length mm (inch)	Slide Travel mm (inch)	LOADING CAPACITY kg (lb) / pair	Holes Position mm (inch)											
				A	B	C	D	E	F	G	H	I	J	K	L
3X01-356	355.6 (14.00)	381.0 (15.00)	68.1 (150.0)	—	127.0 (5.00)	177.8 (7.00)	—	285.8 (11.25)	298.5 (11.75)	311.2 (12.25)	—	212.7 (8.38)	260.4 (10.25)	285.8 (11.25)	311.2 (12.25)
3X01-406	406.4 (16.00)	431.8 (18.00)	68.1 (150.0)	—	152.4 (6.00)	203.2 (8.00)	—	336.6 (13.25)	349.3 (13.75)	362.0 (14.25)	—	263.5 (10.38)	311.2 (12.25)	336.6 (13.25)	362.0 (14.25)
3X01-457	457.2 (18.00)	482.6 (19.00)	68.1 (150.0)	—	177.8 (7.00)	228.6 (9.00)	314.3 (12.38)	387.4 (15.25)	400.1 (15.75)	412.8 (16.25)	177.8 (7.00)	314.3 (12.38)	362.0 (14.25)	387.4 (15.25)	412.8 (16.25)
3X01-508	508.0 (20.00)	533.4 (21.00)	68.1 (150.0)	123.8 (4.88)	203.2 (8.00)	254.0 (10.00)	365.1 (14.38)	438.2 (17.25)	450.9 (17.75)	463.6 (18.25)	203.2 (8.00)	365.1 (14.38)	412.8 (16.25)	438.2 (17.25)	463.6 (18.25)
3X01-559	558.8 (22.00)	584.2 (23.00)	68.1 (150.0)	123.8 (4.88)	228.6 (9.00)	279.4 (11.00)	415.9 (16.38)	489.0 (19.25)	501.7 (19.75)	514.4 (20.25)	228.6 (9.00)	415.9 (16.38)	463.6 (18.25)	489.0 (19.25)	514.4 (20.25)
3X01-610	609.6 (24.00)	635.0 (25.00)	68.1 (150.0)	123.8 (4.88)	254.0 (10.00)	304.8 (12.00)	466.7 (18.38)	539.8 (21.25)	552.5 (21.75)	565.2 (22.25)	254.0 (10.00)	466.7 (18.38)	514.4 (20.25)	539.8 (21.25)	565.2 (22.25)
3X01-660	660.4 (26.00)	685.8 (27.00)	68.1 (150.0)	123.8 (4.88)	279.4 (11.00)	330.2 (13.00)	517.5 (20.38)	590.6 (23.25)	603.3 (23.75)	616.0 (24.25)	279.4 (11.00)	517.5 (20.38)	565.2 (22.25)	590.6 (23.25)	616.0 (24.25)
3X01-711	711.2 (28.00)	736.6 (29.00)	68.1 (150.0)	123.8 (4.88)	304.8 (12.00)	355.6 (14.00)	568.3 (22.38)	641.4 (25.25)	654.1 (25.75)	666.8 (26.25)	304.8 (12.00)	568.3 (22.38)	616.0 (24.25)	641.4 (25.25)	666.8 (26.25)
3X01-762	762.0 (30.00)	787.6 (31.00)	68.1 (150.0)	123.8 (4.88)	330.2 (13.00)	381.0 (15.00)	619.1 (24.38)	692.2 (27.25)	704.9 (27.75)	717.6 (28.25)	330.2 (13.00)	619.1 (24.38)	666.8 (26.25)	692.2 (27.25)	717.6 (28.25)
3X01-813	812.8 (32.00)	838.2 (33.00)	68.1 (150.0)	123.8 (4.88)	355.6 (14.00)	406.4 (16.00)	669.9 (26.38)	743.0 (29.25)	755.7 (29.75)	768.4 (30.25)	355.6 (14.00)	669.9 (26.38)	717.6 (28.25)	743.0 (29.25)	768.4 (30.25)

3X03 Heavy Duty Slide -Bayonet Type



Specifications

- **Length:** 356mm to 813mm (14" to 32")
- **Profile:** 54mm x 16mm
- **Travel:** Full Extension
- **Side Space:** 16mm (+0.5mm-0mm)
- **Height:** 54mm (2.13")
- **Max. Loading:** 68 kg (150 lb)
- **Mount:** Side Mount
- **Disconnect:** Bayonet Disconnect
- **Finish:** Clear Zinc or Black
- **Material:** Cold Rolled Steel

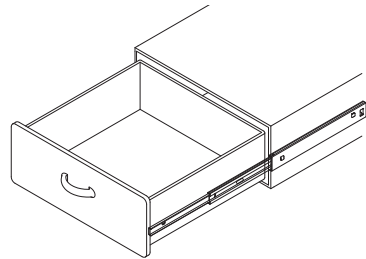
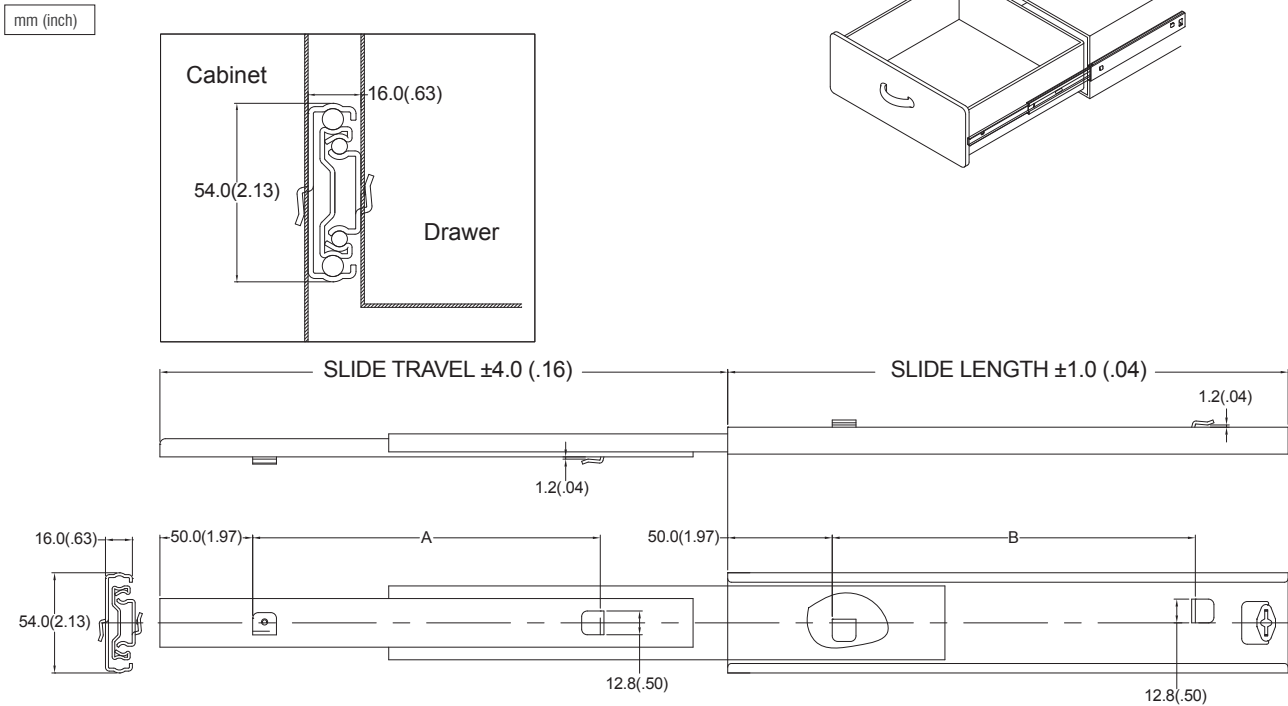
Packing

- Unit Packed in 10 pairs/carton
- Bulk Packed in 20 pcs/carton for cabinet member 80pcs/carton for drawer member

Applications

- Wide Lateral File Drawers, Large Storage Drawers and Toolbox

Dimension Specifications



Note: Holes other than those shown may be in the slide member at King Slide's option and may change without notice.

Item No.	Slide Length mm (inch)	Slide Travel mm (inch)	Loading Capacity kg (lb) / pair	Holes Position mm (inch)	
				A	B
3X03-356	355.6 (14.00)	381.0 (15.00)	68.1 (150.0)	250.0 (9.84)	250.0 (9.84)
3X03-406	406.4 (16.00)	431.8 (18.00)	68.1 (150.0)	300.0 (12.00)	300.0 (12.00)
3X03-457	457.2 (18.00)	482.6 (19.00)	68.1 (150.0)	350.0 (13.78)	350.0 (13.78)
3X03-508	508.0 (20.00)	533.4 (21.00)	68.1 (150.0)	400.0 (15.75)	400.0 (15.75)
3X03-559	558.8 (22.00)	584.2 (23.00)	68.1 (150.0)	450.0 (17.72)	450.0 (17.72)
3X03-610	609.6 (24.00)	635.0 (25.00)	68.1 (150.0)	500.0 (19.69)	500.0 (19.69)
3X03-660	660.4 (26.00)	685.8 (27.00)	68.1 (150.0)	550.0 (21.65)	550.0 (21.65)
3X03-711	711.2 (28.00)	736.6 (29.00)	68.1 (150.0)	600.0 (23.62)	600.0 (23.62)
3X03-762	762.0 (30.00)	787.6 (31.00)	68.1 (150.0)	650.0 (25.59)	650.0 (25.59)
3X03-813	812.8 (32.00)	838.2 (33.00)	68.1 (150.0)	700.0 (27.56)	700.0 (27.56)

AE01 Heavy Duty Slide -Standard Type



Specifications

- **Length:** 250mm to 1000mm (10" to 39")
- **Profile:** 54mm x 12.7mm
- **Travel:** Full Extension
- **Side Space:** 12.7mm (+0.5mm-0mm)
- **Height:** 54mm (2.13")
- **Max. Loading:** 68 kg (150 lb)
- **Mount:** Side Mount
- **Disconnect:** Lever Disconnect
- **Finish:** Clear Zinc or Black
- **Material:** Cold Rolled Steel

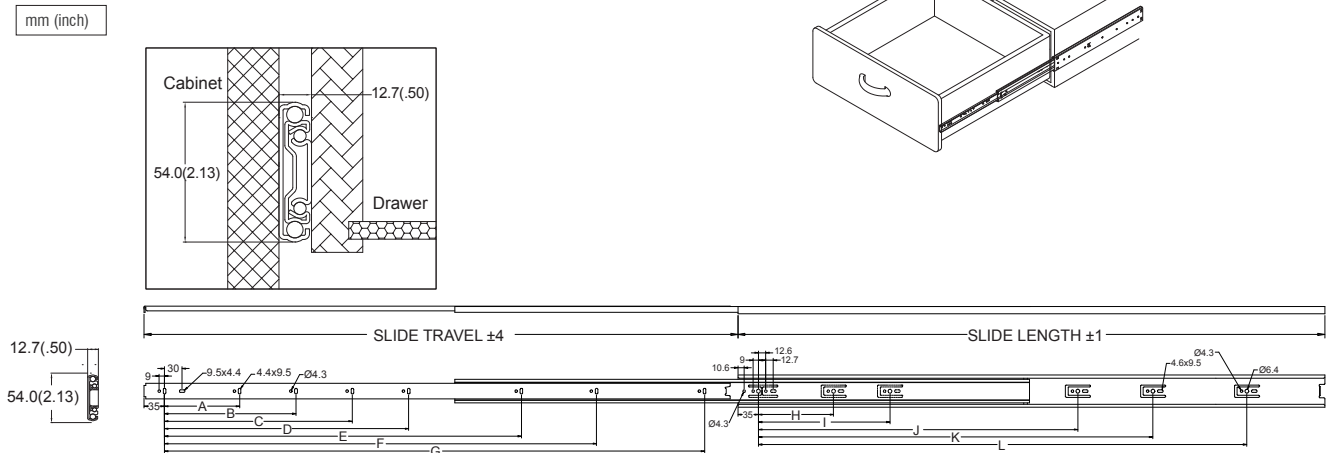
Packing

- Unit Packed in 12 pairs/carton
- Bulk Packed in 30 pcs/carton for cabinet member 100pcs/carton for drawer member

Applications

- Wide Lateral File Drawers, Large Storage Drawers and Toolbox

Dimension Specifications



Note: Holes other than those shown may be in the slide member at King Slide's option and may change without notice.

Item No.	Slide Length mm (inch)	Slide Travel mm (inch)	Loading Capacity kg (lb) / pair	Holes Position mm (inch)											
				A	B	C	D	E	F	G	H	I	J	K	L
AE01-250	250 (9.84)	240 (9.45)	46 (100)	181 (7.12)	—	—	—	—	—	—	—	160 (6.29)	—	—	—
AE01-300	300 (11.81)	307 (12.08)	54.5 (120)	96 (3.77)	220 (8.66)	—	—	—	—	—	—	128 (5.03)	224 (8.81)	—	—
AE01-350	350 (13.78)	357 (14.05)	54.5 (120)	128 (5.03)	238 (9.37)	—	—	—	—	—	—	160 (6.29)	224 (8.81)	—	—
AE01-400	400 (15.75)	407 (16.02)	63.6 (140)	128 (5.03)	320 (12.59)	—	—	—	—	—	—	224 (8.81)	320 (12.59)	—	—
AE01-450	450 (17.72)	457 (17.99)	68.0 (150)	128 (5.03)	320 (12.59)	370 (14.56)	—	—	—	—	—	224 (8.81)	352 (13.85)	—	—
AE01-500	500 (19.69)	511 (20.11)	68.0 (150)	128 (5.03)	224 (8.81)	320 (12.59)	416 (16.37)	—	—	—	—	224 (8.81)	416 (16.37)	—	—
AE01-550	550 (21.65)	557 (21.92)	68.0 (150)	128 (5.03)	224 (8.81)	416 (16.37)	470 (18.50)	—	—	—	—	256 (10.07)	352 (13.85)	448 (17.63)	—
AE01-600	600 (23.62)	607 (23.89)	68.0 (150)	128(5.03)	224 (8.81)	416 (16.37)	520 (20.47)	—	—	—	—	128 (5.03)	352 (13.85)	480 (18.89)	—
AE01-650	650 (25.59)	657 (25.86)	68.0 (150)	128 (5.03)	224 (8.81)	416 (16.37)	576 (22.67)	—	—	—	—	128 (5.03)	352 (13.85)	544 (21.41)	—
AE01-700	700 (27.56)	707 (27.83)	68.0 (150)	128 (5.03)	224 (8.81)	416 (16.37)	544 (21.41)	620 (24.40)	—	—	—	128 (5.03)	352 (13.85)	544 (21.41)	—
AE01-750	750 (29.52)	757 (29.80)	68.0 (150)	128 (5.03)	224 (8.81)	320 (12.59)	544 (21.41)	670 (26.37)	—	—	—	128 (5.03)	352 (13.85)	544 (21.41)	672 (26.45)
AE01-800	800 (31.49)	812 (31.96)	68.0 (150)	128 (5.03)	224 (8.81)	320 (12.59)	544 (21.41)	720 (28.34)	—	—	—	128 (5.03)	224 (8.81)	384 (15.11)	544 (21.41)
AE01-850	850 (33.46)	862 (33.93)	68.0 (150)	128 (5.03)	224 (8.81)	320 (12.59)	544 (21.41)	672 (26.45)	768 (30.23)	—	—	128 (5.03)	224 (8.81)	448 (17.63)	576 (22.67)
AE01-900	900 (35.43)	912 (35.90)	68.0 (150)	128 (5.03)	224 (8.81)	320 (12.59)	416 (16.37)	544 (21.41)	736 (28.97)	820 (32.28)	—	128 (5.03)	224 (8.81)	448 (17.63)	576 (22.67)
AE01-950	950 (37.40)	962 (37.87)	68.0 (150)	128 (5.03)	224 (8.81)	320 (12.59)	416 (16.37)	608 (23.93)	736 (28.97)	870 (34.25)	—	128 (5.03)	224 (8.81)	512 (20.15)	672 (26.45)
AE01-1000	1000 (39.37)	1012 (39.84)	68.0 (150)	128 (5.03)	224 (8.81)	320 (12.59)	416 (16.37)	608 (23.93)	736 (28.97)	920 (36.22)	—	128 (5.03)	224 (8.81)	544 (21.41)	672 (26.45)



Soft Outstop Full Extension Ball Bearing Slides

This new product line is well recognized and is becoming very popular in the international market due to the following features:

- Full extension capability
- Soft outstop design
- Staying locked at extended position
- Finger-pinching free! To release from its outstop locking position, simply push the shelf or drawer inward to unlock

This product line holds the following patents from various countries:

TAIWAN	NO. 189081
CHINA	NO. 502586
CHINA	NO. 474392
USA	NO. 6390575
JAPAN	NO. 3083739
JAPAN	NO. 3089178
JAPAN	NO. 3080352
GERMANY	NO. 20113886.7
GERMANY	NO. 20116057.9
GERMANY	NO. 20205772.0

3330 Full Extension Ball Bearing Slide -Soft Outstop



Specifications

- **Length:** 250mm to 800mm (10" to 32")
- **Profile:** 45mm x 12.7mm
- **Travel:** Full Extension
- **Side Space:** 12.7mm (+0.5mm-0mm)
- **Height:** 45mm (1.77")
- **Max. Loading:** 45 kg (100 lb)
- **Mount:** Side Mount
- **Disconnect:** Clip Disconnect
- **Finish:** Clear Zinc or Black
- **Material:** Cold Rolled Steel
- **Feather:** Soft-Outstop

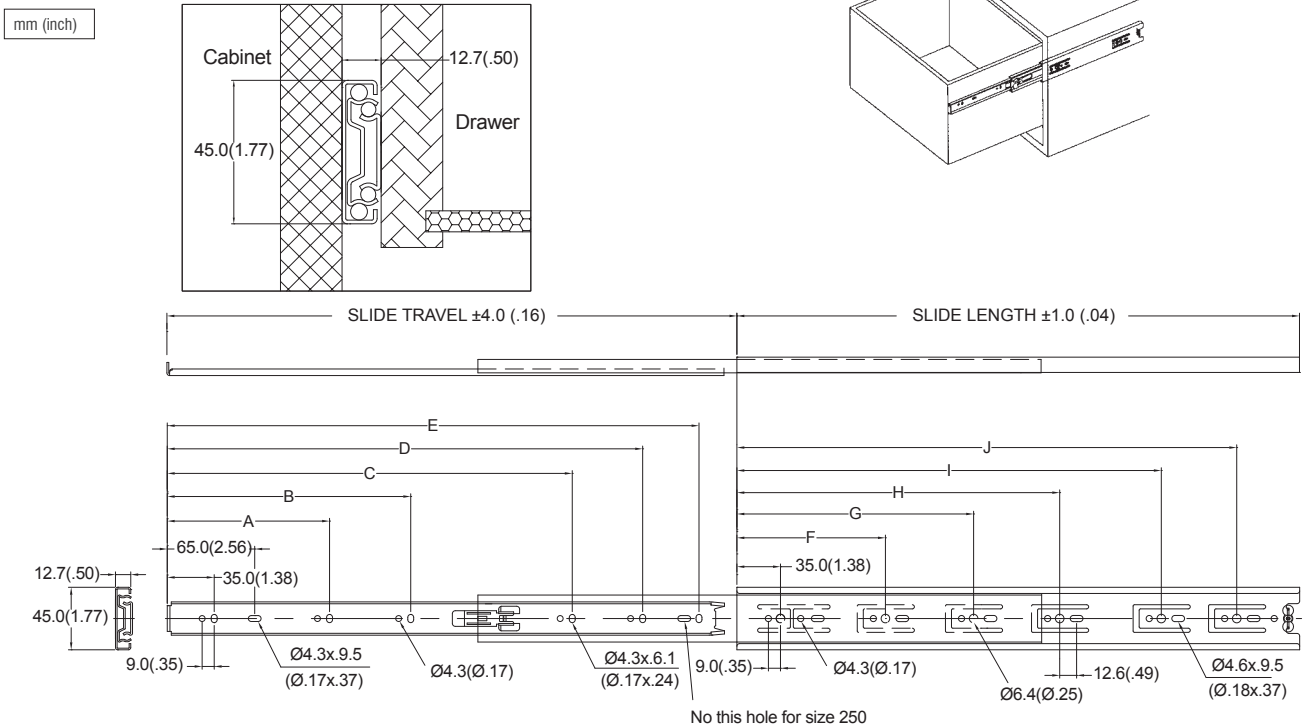
Packing

- Unit Packed in 15 pairs/carton
- Bulk Packed in 40 pcs/carton for cabinet member 100 pcs/carton for drawer member

Applications

- Applications: Keyboard and Pencil Drawers

Dimension Specifications



Note: Holes other than those shown may be in the slide member at King Slide's option and may change without notice.

Item No.	Slide Length mm (inch)	Slide Travel mm (inch)	LOADING CAPACITY kg (lb) / pair	Holes Position mm (inch)									
				A	B	C	D	E	F	G	H	I	J
3330-250	250.0 (9.84)	256.0 (10.07)	23.0 (50.0)	131.0 (5.16)	—	—	—	227.0 (8.94)	—	—	—	—	195.0 (7.68)
3330-300	300.0 (11.81)	305.0 (12.01)	27.0 (60.0)	163.0 (6.42)	—	—	—	277.0 (10.91)	163.0 (6.42)	—	—	—	259.0 (10.20)
3330-350	350.0 (13.78)	356.0 (14.01)	34.0 (75.0)	163.0 (6.42)	—	—	—	327.0 (12.87)	163.0 (6.42)	—	—	—	259.0 (10.20)
3330-400	400.0 (15.75)	406.0 (15.98)	45.0 (100.0)	163.0 (6.42)	—	355.0 (13.98)	—	377.0 (14.84)	163.0 (6.42)	259.0 (10.20)	—	—	355.0 (13.98)
3330-450	450.0 (17.72)	457.0 (17.99)	45.0 (100.0)	163.0 (6.42)	—	355.0 (13.98)	—	427.0 (16.81)	163.0 (6.42)	—	—	—	387.0 (15.24)
3330-500	500.0 (19.69)	509.0 (20.04)	45.0 (100.0)	163.0 (6.42)	259.0 (10.20)	355.0 (13.98)	451.0 (17.75)	477.0 (18.78)	163.0 (6.42)	—	—	—	451.0 (17.76)
3330-550	550.0 (21.65)	563.0 (22.17)	45.0 (100.0)	163.0 (6.42)	259.0 (10.20)	—	451.0 (17.75)	527.0 (20.75)	163.0 (6.42)	—	387.0 (15.24)	—	483.0 (19.02)
3330-600	600.0 (23.62)	609.0 (23.97)	39.0 (85.0)	163.0 (6.42)	259.0 (10.20)	—	451.0 (17.75)	577.0 (22.72)	163.0 (6.42)	259.0 (10.20)	387.0 (15.24)	—	515.0 (20.28)
3330-650	650.0 (25.59)	660.0 (25.98)	32.0 (70.0)	163.0 (6.42)	259.0 (10.20)	451.0 (17.76)	579.0 (22.80)	627.0 (24.69)	163.0 (6.42)	259.0 (10.20)	387.0 (15.24)	—	579.0 (22.80)
3330-700	700.0 (27.56)	707.0 (27.83)	27.0 (60.0)	163.0 (6.42)	259.0 (10.20)	451.0 (17.76)	579.0 (22.80)	677.0 (26.65)	163.0 (6.42)	259.0 (10.20)	—	—	579.0 (22.80)
3330-750	750.0 (29.53)	757.0 (29.80)	22.0 (48.0)	163.0 (6.42)	259.0 (10.20)	355.0 (13.98)	579.0 (22.80)	727.0 (28.62)	163.0 (6.42)	259.0 (10.20)	—	—	579.0 (22.80)
3330-800	800.0 (31.50)	810.0 (31.88)	18.0 (39.0)	163.0 (6.42)	259.0 (10.20)	355.0 (13.98)	579.0 (22.80)	777.0 (30.59)	163.0 (6.42)	259.0 (10.20)	387.0 (15.24)	579.0 (22.80)	707.0 (27.83)

King Slide reserves the right to alter specifications of all the products without notice. If the entity is different from the illustration, please refer to the entity.

3M30 Full Extension Ball Bearing Slide -Soft Outstop



Specifications

- **Length:** 250mm to 800mm (10" to 32")
- **Profile:** 45.6mm x 12.7mm
- **Travel:** Full Extension
- **Side Space:** 12.7mm (+0.5mm-0mm)
- **Height:** 45.6mm (1.80")
- **Max. Loading:** 45 kg (100 lb)
- **Mount:** Side Mount
- **Disconnect:** Clip Disconnect
- **Finish:** Clear Zinc or Black
- **Material:** Cold Rolled Steel
- **Feather:** Soft-Outstop

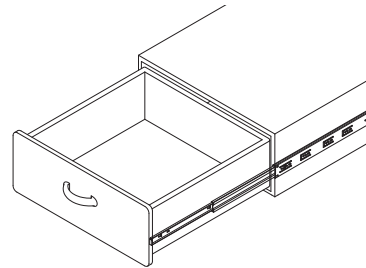
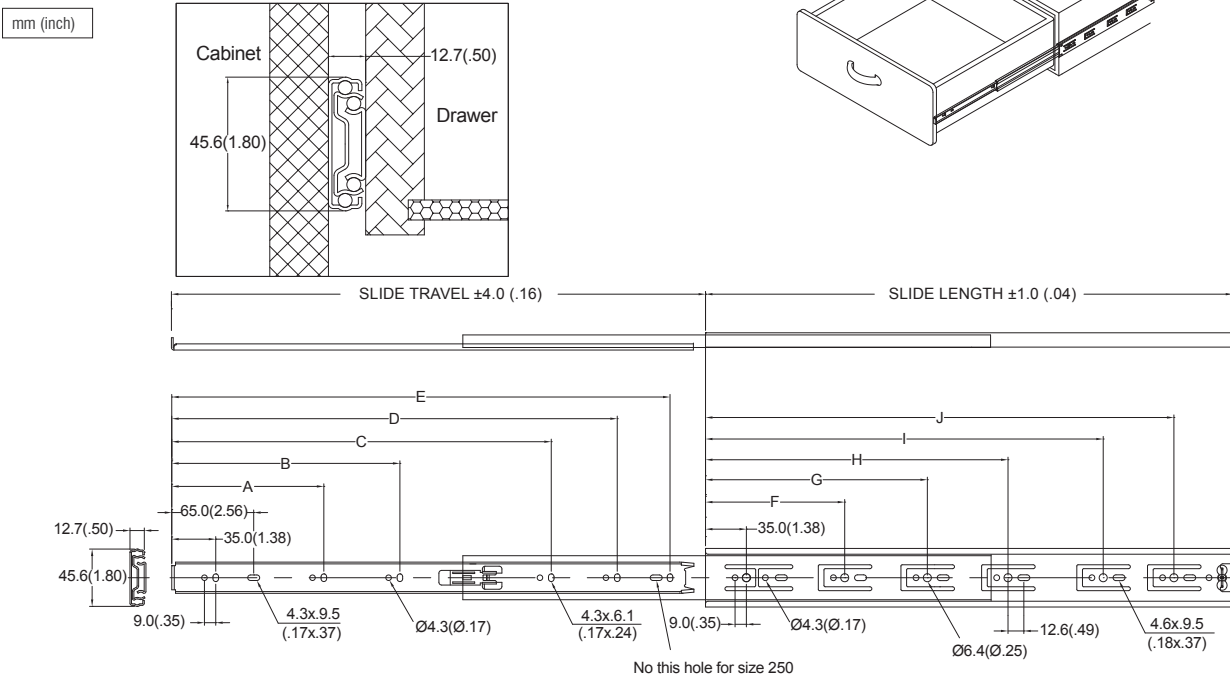
Packing

- Unit Packed in 15 pairs/carton
- Bulk Packed in 40 pcs/carton for cabinet member 100 pcs/carton for drawer member

Applications

- Keyboard and Pencil Drawers

Dimension Specifications



Note: Holes other than those shown may be in the slide member at King Slide's option and may change without notice.

Item No.	Slide Length mm (inch)	Slide Travel mm (inch)	LOADING CAPACITY kg (lb) / pair	Holes Position mm (inch)									
				A	B	C	D	E	F	G	H	I	J
3M30-250	250.0 (9.84)	250.0 (9.84)	23.0 (50.0)	131.0 (5.16)	—	—	—	227.0 (8.94)	—	—	—	—	195.0 (7.68)
3M30-300	300.0 (11.81)	305.0 (12.01)	27.0 (60.0)	163.0 (6.42)	—	—	—	277.0 (10.91)	163.0 (6.42)	—	—	—	259.0 (10.20)
3M30-350	350.0 (13.78)	351.0 (13.82)	34.0 (75.0)	163.0 (6.42)	—	—	—	327.0 (12.87)	163.0 (6.42)	—	—	—	259.0 (10.20)
3M30-400	400.0 (15.75)	403.0 (15.87)	45.0 (100.0)	163.0 (6.42)	—	355.0 (13.98)	—	377.0 (14.84)	163.0 (6.42)	259.0 (10.20)	—	—	355.0 (13.98)
3M30-450	450.0 (17.72)	452.0 (17.80)	45.0 (100.0)	163.0 (6.42)	—	355.0 (13.98)	—	427.0 (16.81)	163.0 (6.42)	—	—	—	387.0 (15.24)
3M30-500	500.0 (19.69)	509.0 (20.04)	45.0 (100.0)	163.0 (6.42)	259.0 (10.20)	355.0 (13.98)	355.0 (13.98)	477.0 (18.78)	163.0 (6.42)	—	—	—	451.0 (17.76)
3M30-550	550.0 (21.65)	563.0 (22.17)	45.0 (100.0)	163.0 (6.42)	259.0 (10.20)	—	355.0 (13.98)	527.0 (20.75)	163.0 (6.42)	—	387.0 (15.24)	—	483.0 (19.02)
3M30-600	600.0 (23.62)	605.0 (23.83)	39.0 (85.0)	163.0 (6.42)	259.0 (10.20)	—	355.0 (13.98)	577.0 (22.72)	163.0 (6.42)	259.0 (10.20)	387.0 (15.24)	—	515.0 (20.28)
3M30-650	650.0 (25.59)	656.0 (25.83)	32.0 (70.0)	163.0 (6.42)	259.0 (10.20)	451.0 (17.76)	579.0 (22.80)	627.0 (24.69)	163.0 (6.42)	259.0 (10.20)	387.0 (15.24)	—	579.0 (22.80)
3M30-700	700.0 (27.56)	707.0 (27.83)	27.0 (60.0)	163.0 (6.42)	259.0 (10.20)	451.0 (17.76)	579.0 (22.80)	677.0 (26.65)	163.0 (6.42)	259.0 (10.20)	—	—	579.0 (22.80)
3M30-750	750.0 (29.53)	757.0 (29.80)	22.0 (48.0)	163.0 (6.42)	259.0 (10.20)	355.0 (13.98)	579.0 (22.80)	727.0 (28.62)	163.0 (6.42)	259.0 (10.20)	—	—	579.0 (22.80)
3M30-800	800.0 (31.50)	805.0 (31.69)	18.0 (39.0)	163.0 (6.42)	259.0 (10.20)	355.0 (13.98)	579.0 (22.80)	777.0 (30.59)	163.0 (6.42)	259.0 (10.20)	387.0 (15.24)	579.0 (22.80)	707.0 (27.83)



Lock-Out Full Extension Ball Bearing Slides

3M71 / 3M73

This product is equipped with our specially designed lock-out function. It is the best solution when you need a stable platform. Our lock-out function can also avoid incidental retraction of the slides for it will not easily retract when pushed.

Since you do not have to worry about an unsteady platform, you can concentrate on your work more.

When in need of retraction, simply use our clip-releasing function by pressing the clip to release/unlock the slides. Also, if you need to remove the drawer, just simply press the clip to disconnect the slides.

3M71 Full Extension Ball Bearing Slide -Lock-Out



Specifications

- **Length:** 250mm to 800mm (10" to 32")
- **Profile:** 45.6mm x 12.7mm
- **Travel:** Full Extension
- **Side Space:** 12.7mm (+0.5mm-0mm)
- **Height:** 45.6mm (1.80")
- **Max. Loading:** 45 kg (100 lb)
- **Mount:** Side Mount
- **Disconnect:** Clip Disconnect
- **Finish:** Clear Zinc or Black
- **Material:** Cold Rolled Steel
- **Features:** Lock-Out

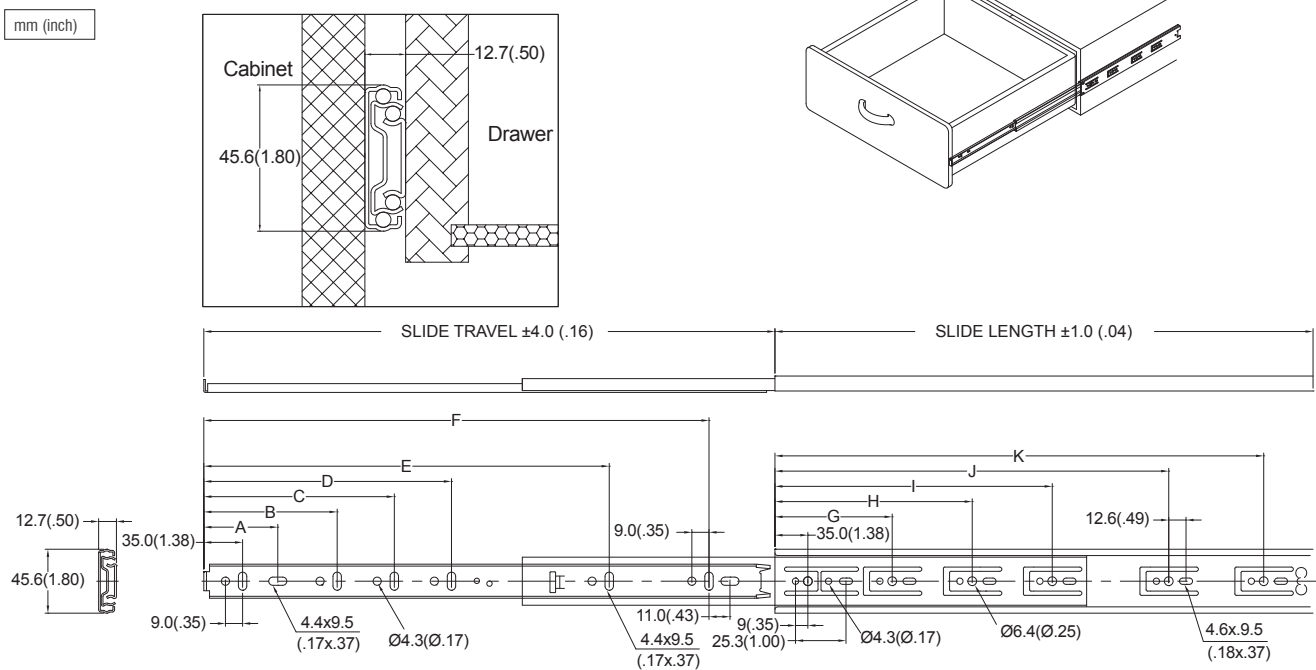
Packing

- Unit Packed in 15 pairs/carton
- Bulk Packed in 40 pcs/carton for cabinet member 100 pcs/carton for drawer member

Applications

- Home Cabinets, Box Drawers, Desk and Storage Drawers and File Drawers

Dimension Specifications



Note: Holes other than those shown may be in the slide member at King Slide's option and may change without notice.

Item No.	Slide Length mm (inch)	Slide Travel mm (inch)	Loading Capacity kg (lb) / pair	Holes Position mm (inch)											
				A	B	C	D	E	F	G	H	I	J	K	
3M71-250	250.0 (9.84)	256.7 (10.11)	23 (50.0)	65.0 (2.56)	131.0 (5.16)	—	—	—	216.0 (8.50)	195.0 (7.67)	—	—	—	—	
3M71-300	300.0 (11.81)	306.7 (12.07)	27 (60.0)	65.0 (2.56)	163.0 (6.42)	—	—	—	255.0 (10.04)	163.0 (6.42)	259.0 (10.20)	—	—	—	
3M71-350	350.0 (13.78)	356.7 (14.04)	34 (75.0)	65.0 (2.56)	163.0 (6.42)	—	—	—	305.0 (12.00)	163.0 (6.42)	259.0 (10.20)	—	—	—	
3M71-400	400.0 (15.75)	406.7 (16.01)	45 (100.0)	65.0 (2.56)	163.0 (6.42)	—	—	—	355.0 (13.98)	163.0 (6.42)	259.0 (10.20)	—	—	355.0 (13.98)	
3M71-450	450.0 (17.72)	456.7 (17.98)	45 (100.0)	65.0 (2.56)	163.0 (6.42)	355.0 (13.98)	—	—	405.0 (15.94)	163.0 (6.42)	259.0 (10.20)	—	—	387.0 (15.23)	
3M71-500	500.0 (19.69)	506.7 (19.95)	45 (100.0)	65.0 (2.56)	163.0 (6.42)	259.0 (10.20)	355.0 (13.98)	—	455.0 (17.91)	163.0 (6.42)	259.0 (10.20)	—	—	451.0 (17.75)	
3M71-550	550.0 (21.65)	556.7 (21.92)	45 (100.0)	65.0 (2.56)	163.0 (6.42)	259.0 (10.20)	451.0 (17.75)	—	505.0 (19.88)	163.0 (6.42)	259.0 (10.20)	387.0 (15.24)	—	483.0 (19.01)	
3M71-600	600.0 (23.62)	606.7 (23.89)	39 (85.0)	65.0 (2.56)	163.0 (6.42)	259.0 (10.20)	451.0 (17.75)	—	555.0 (21.85)	163.0 (6.42)	259.0 (10.20)	387.0 (15.24)	—	515.0 (20.28)	
3M71-650	650.0 (25.59)	656.7 (25.85)	32 (70.0)	65.0 (2.56)	163.0 (6.42)	259.0 (10.20)	451.0 (17.75)	579.0 (22.80)	605.0 (23.82)	163.0 (6.42)	259.0 (10.20)	387.0 (15.24)	—	579.0 (22.79)	
3M71-700	700.0 (27.56)	706.7 (27.82)	27 (60.0)	65.0 (2.56)	163.0 (6.42)	259.0 (10.20)	451.0 (17.75)	579.0 (22.80)	655.0 (25.79)	163.0 (6.42)	259.0 (10.20)	387.0 (15.24)	—	579.0 (22.79)	
3M71-750	750.0 (29.53)	756.7 (29.79)	22 (48.0)	65.0 (2.56)	163.0 (6.42)	259.0 (10.20)	355.0 (13.98)	579.0 (22.80)	705.0 (27.76)	163.0 (6.42)	259.0 (10.20)	387.0 (15.24)	—	579.0 (22.79)	
3M71-800	800.0 (31.50)	806.7 (31.76)	18 (39.0)	64.8 (2.55)	163.0 (6.42)	259.0 (10.20)	355.0 (13.98)	579.0 (22.80)	755.0 (29.72)	163.0 (6.42)	259.0 (10.20)	387.0 (15.24)	579.0 (22.80)	707.0 (27.83)	

3M73 Full Extension Ball Bearing Slide - Bayonet Type with Lock-out



Specifications

- **Length:** 406mm (16")
- **Profile:** 45.6mm x 12.7mm
- **Travel:** Full Extension
- **Side Space:** 12.7mm (+0.5mm-0mm)
- **Height:** 45.6mm (1.80")
- **Max. Loading:** 34 kg (75 lb)
- **Mount:** Side Mount
- **Disconnect:** Bayonet Disconnect
- **Finish:** Clear Zinc or Black
- **Material:** Cold Rolled Steel
- **Features:** Lock-Out

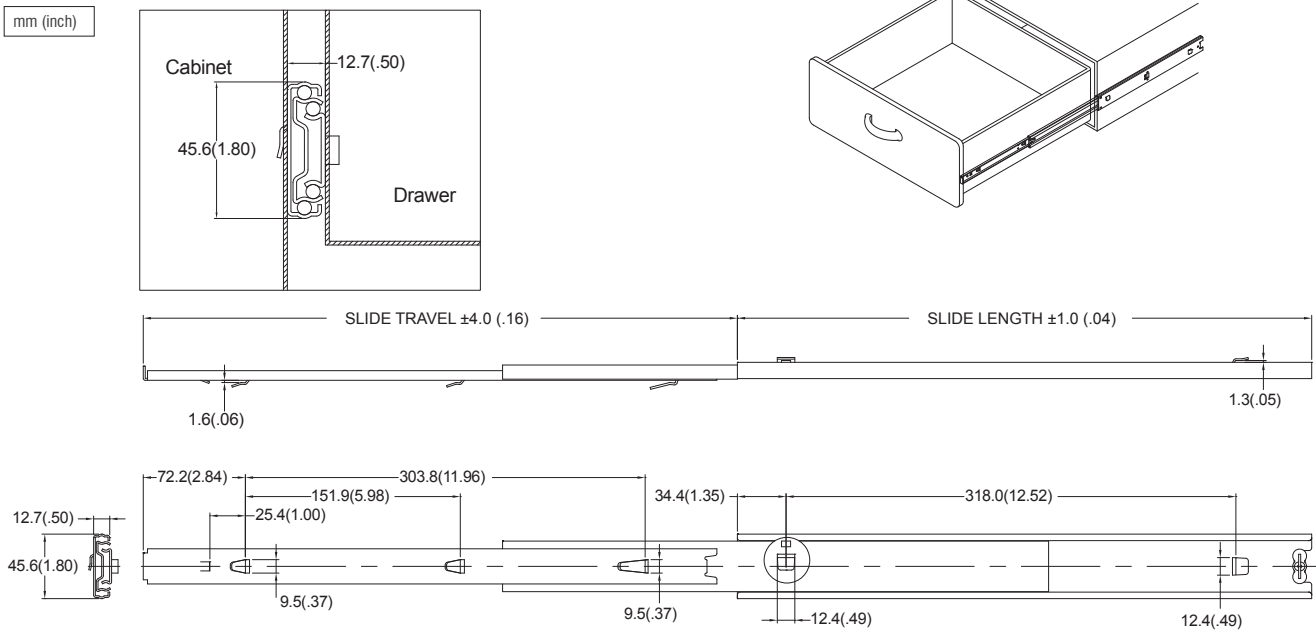
Packing

- Unit Packed in 15 pairs/carton
- Bulk Packed in 40 pcs/carton for cabinet member 100 pcs/carton for drawer member

Applications

- Home Cabinets, Box Drawers, Desk and Storage Drawers and File Drawers

Dimension Specifications



Note: Holes other than those shown may be in the slide member at King Slide's option and may change without notice.

Item No.	Slide Length mm (inch)	Slide Travel mm (inch)	LOADING CAPACITY kg (lb) / pair
3M73-406	406.0 (15.98)	420.0 (16.54)	34.1 (75.0)

AF51 Full Extension Ball Bearing Slide –Self-Closing/ Pull-In



Specifications

- **Length:** 300mm to 700mm (12" to 28")
- **Profile:** 54.6mm x 17.5mm
- **Travel:** Full Extension
- **Side Space:** 17.5mm (+0.75mm-0mm)
- **Height:** 54.6mm (2.15")
- **Max. Loading:** 68 kg (150 lb)
- **Mount:** Side Mount
- **Disconnect:** Lever Disconnect
- **Finish:** Clear Zinc or Black
- **Material:** Cold Rolled Steel
- **Features:** Self-Closing/ Pull-In

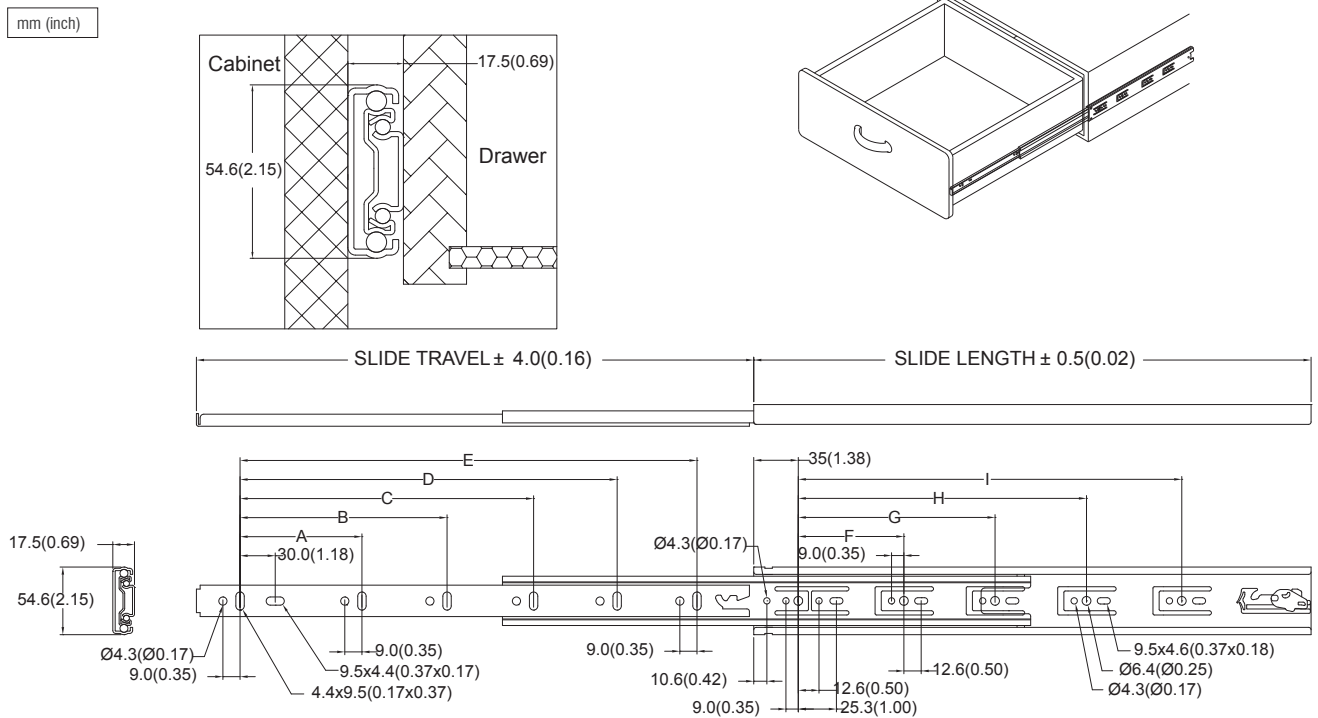
Packing

- Unit Packed in 15 pairs/carton
- Bulk Packed in 40 pcs/carton for cabinet member 100 pcs/carton for drawer member

Applications

- Home and Office Cabinets, Box Drawers, Desk and Storage Drawers and File Drawers

Dimension Specifications



Note: Holes other than those shown may be in the slide member at King Slide's option and may change without notice.

Item No.	Slide Length mm (inch)	Slide Travel mm (inch)	Loading Capacity kg (lb) / pair	Holes Position mm (inch)								
				A	B	C	D	E	F	G	H	I
AF51-300	300.0 (11.81)	300.0 (11.81)	68.1 (150.0)	128.0 (5.04)	—	—	—	220.0 (8.66)	—	—	—	160.0 (6.30)
AF51-350	350.0 (13.78)	350.0 (13.78)	68.1 (150.0)	128.0 (5.04)	—	—	—	270.0 (10.63)	128.0 (5.04)	—	—	224.0 (8.82)
AF51-400	400.0 (15.75)	400.0 (15.75)	68.1 (150.0)	128.0 (5.04)	—	—	—	320.0 (12.60)	128.0 (5.04)	—	—	288.0 (11.34)
AF51-450	450.0 (17.72)	450.0 (17.72)	68.1 (150.0)	128.0 (5.04)	320.0 (12.60)	—	—	370.0 (14.57)	128.0 (5.04)	224.0 (8.82)	—	320.0 (12.60)
AF51-500	500.0 (19.69)	500.0 (19.69)	68.1 (150.0)	128.0 (5.04)	224.0 (8.82)	320.0 (12.60)	—	416.0 (16.38)	128.0 (5.04)	224.0 (8.82)	—	352.0 (13.86)
AF51-550	550.0 (21.65)	550.0 (21.65)	68.1 (150.0)	128.0 (5.04)	224.0 (8.82)	416.0 (16.38)	—	470.0 (18.53)	128.0 (5.04)	224.0 (8.82)	—	416.0 (16.38)
AF51-600	600.0 (23.62)	600.0 (23.62)	68.1 (150.0)	128.0 (5.04)	224.0 (8.82)	416.0 (16.38)	—	520.0 (20.47)	128.0 (5.04)	224.0 (8.82)	352.0 (13.86)	480.0 (18.90)
AF51-650	650.0 (25.59)	650.0 (25.59)	68.1 (150.0)	128.0 (5.04)	224.0 (8.82)	416.0 (16.38)	544.0 (21.42)	570.0 (22.44)	128.0 (5.04)	224.0 (8.82)	352.0 (13.86)	512.0 (20.16)
AF51-700	700.0 (27.56)	700.0 (27.56)	68.1 (150.0)	128.0 (5.04)	224.0 (8.82)	416.0 (16.38)	544.0 (21.42)	620.0 (24.41)	128.0 (5.04)	224.0 (8.82)	352.0 (13.86)	544.0 (21.42)

3M51A Full Extension Ball Bearing Slide Soundless / Self-Closing



4

Ball Bearing Slides

Specifications

- **Length:** 250mm to 700mm (10" to 28")
- **Profile:** 45.6mm x 12.7mm
- **Travel:** Full Extension
- **Side Space:** 12.7mm (+0.75mm-0mm)
- **Height:** 45.6mm (1.80")
- **Max. Loading:** 45 kg (100 lb)
- **Mount:** Side Mount
- **Disconnect:** Lever Disconnect
- **Finish:** Clear Zinc or Black
- **Material:** Cold Rolled Steel
- **Features:** Soundless / Self-Closing

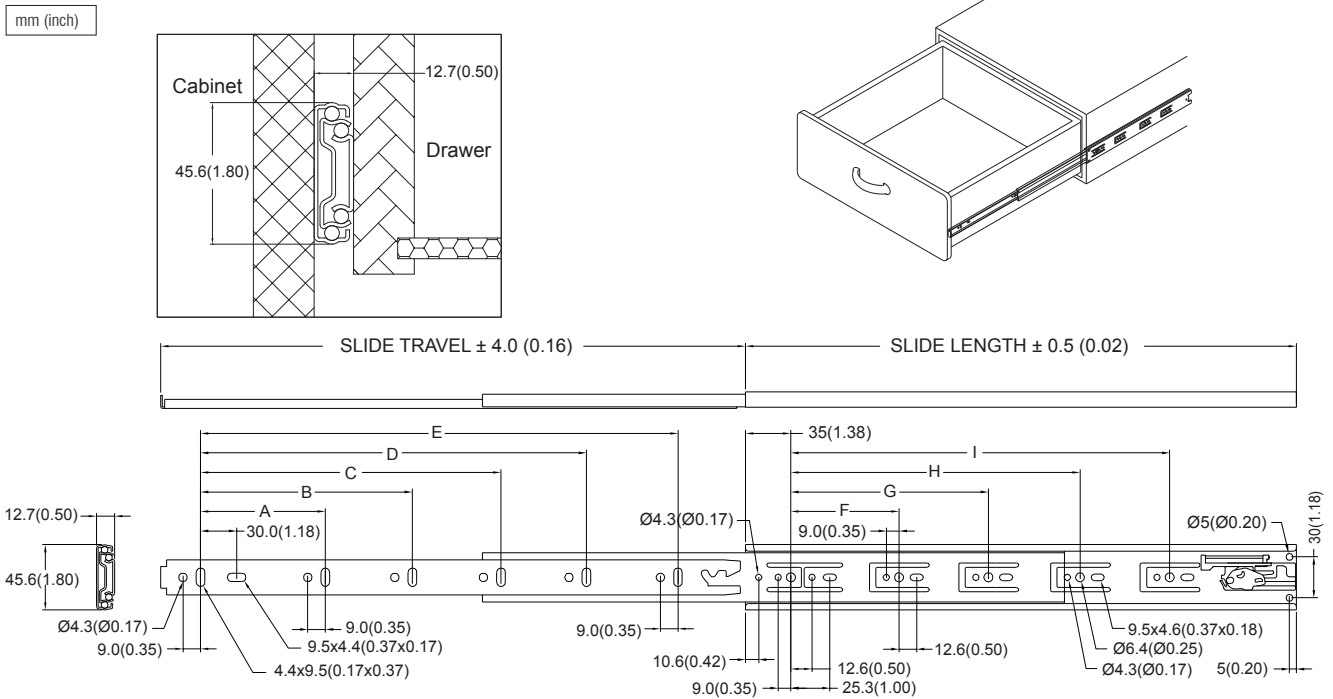
Packing

- Unit Packed in 15 pairs/carton
- Bulk Packed in 40 pcs/carton for cabinet member 100 pcs/carton for drawer member

Applications

- Home and Office Cabinets, Box Drawers, Desk and Storage Drawers and File Drawers

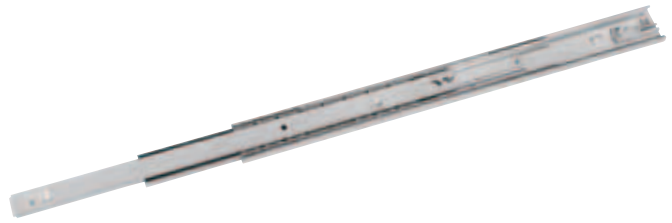
Dimension Specifications



Note: Holes other than those shown may be in the slide member at King Slide's option and may change without notice.

Item No.	Slide Length mm (inch)	Slide Travel mm (inch)	Loading Capacity kg (lb) / pair	Holes Position mm (inch)								
				A	B	C	D	E	F	G	H	I
3M51-250	250.0 (9.84)	228.7 (9.00)	22.7 (50.0)	—	—	—	—	170.0 (6.69)	—	—	—	128.0 (5.04)
3M51-300	300.0 (11.81)	304.7 (11.99)	27.3 (60.0)	128.0 (5.04)	—	—	—	220.0 (8.66)	—	—	—	160.0 (6.30)
3M51-350	350.0 (13.78)	354.7 (13.96)	34.1 (75.0)	128.0 (5.04)	—	—	—	270.0 (10.63)	128.0 (5.04)	—	—	224.0 (8.82)
3M51-400	400.0 (15.75)	404.7 (15.93)	40.8 (90.0)	128.0 (5.04)	—	—	—	320.0 (12.60)	128.0 (5.04)	—	—	288.0 (11.34)
3M51-450	450.0 (17.72)	454.7 (17.90)	45.4 (100.0)	128.0 (5.04)	320.0 (12.60)	—	—	370.0 (14.57)	128.0 (5.04)	224.0 (8.82)	—	320.0 (12.60)
3M51-500	500.0 (19.69)	504.7 (19.87)	45.4 (100.0)	128.0 (5.04)	224.0 (8.82)	320.0 (12.60)	—	416.0 (16.38)	128.0 (5.04)	224.0 (8.82)	—	352.0 (13.86)
3M51-550	550.0 (21.65)	554.7 (21.84)	45.4 (100.0)	128.0 (5.04)	224.0 (8.82)	416.0 (16.38)	—	470.0 (18.53)	128.0 (5.04)	224.0 (8.82)	—	416.0 (16.38)
3M51-600	600.0 (23.62)	604.7 (23.81)	38.6 (85.0)	128.0 (5.04)	224.0 (8.82)	416.0 (16.38)	—	520.0 (20.47)	128.0 (5.04)	224.0 (8.82)	352.0 (13.86)	480.0 (18.90)
3M51-650	650.0 (25.59)	654.7 (25.77)	31.8 (70.0)	128.0 (5.04)	224.0 (8.82)	416.0 (16.38)	544.0 (21.42)	570.0 (22.44)	128.0 (5.04)	224.0 (8.82)	352.0 (13.86)	512.0 (20.16)
3M51-700	700.0 (27.56)	704.7 (27.74)	27.2 (60.0)	128.0 (5.04)	224.0 (8.82)	416.0 (16.38)	544.0 (21.42)	620.0 (24.41)	128.0 (5.04)	224.0 (8.82)	352.0 (13.86)	544.0 (21.42)

3M53 Self-Closing / Pull-in Slide



Specifications

- **Length:** 450mm to 485mm (18" to 19")
- **Profile:** 45.6mm x 12.7mm
- **Travel:** Full Extension
- **Side Space:** 12.7mm (+0.75mm-0mm)
- **Height:** 45.6mm (1.8")
- **Max. Loading:** 38.6 kg (85 lb)
- **Mount:** Side Mount
- **Disconnect:** Lever Disconnect
- **Finish:** Clear Zinc or Black
- **Material:** Cold Rolled Steel
- **Features:** Pull-in mechanism

Packing

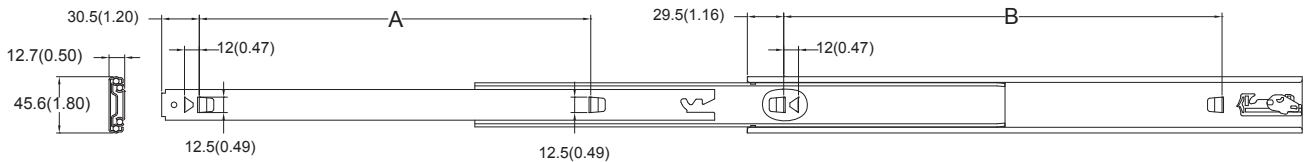
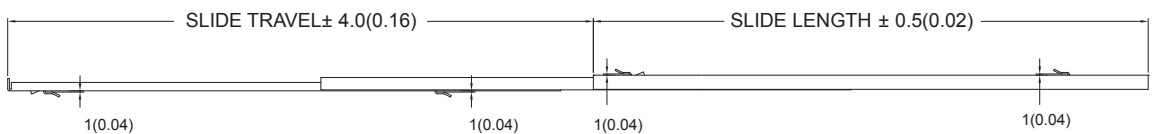
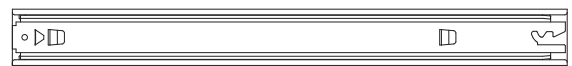
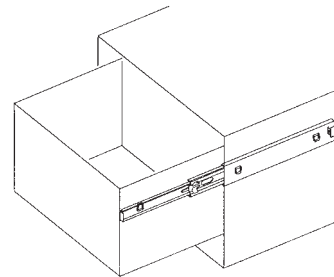
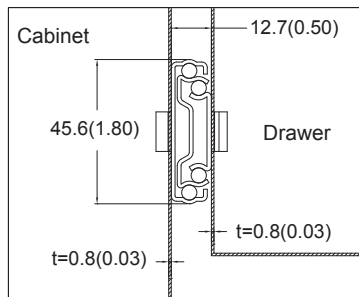
- Unit Packed in 15 pairs/carton
- Bulk Packed in
40 pcs/carton for cabinet member
100 pcs/carton for drawer member

Applications

- Home Cabinets, Box Drawers, Desk and Storage Drawers and File Drawers

Dimension Specifications

mm (inch)



Note: Holes other than those shown may be in the slide member at King Slide's option and may change without notice.

Item No.	Slide Length mm (inch)	Slide Travel mm (inch)	Loading Capacity kg (lb) / pair	Holes Position mm (inch)	
				A	B
3M53-450	450.0 (17.72)	475.0 (18.70)	34.0 (75.0)	317.5 (12.70)	355.5 (14.00)
3M53-485	485.0 (19.09)	478.2 (18.83)	38.6 (85.0)	352.5 (13.88)	390.5 (15.37)



Full Extension Ball Bearing Slides

Our best selling series has the most reliable and safest usability. Fitting in with common side space dimensions and moderate loading weight, our slides can be applied to many different applications such as residential home furniture, system furniture, office furniture, kitchen cabinets or medical drawers.

We can definitely meet your needs and satisfy your expectation by providing various dimensions and superb quality in our best selling series.

3301 Full Extension Ball Bearing Slide -Standard Type



Specifications

- **Length:** 250mm to 900mm (10" to 39")
- **Profile:** 45mm x 12.7mm
- **Travel:** Full Extension
- **Side Space:** 12.7mm (+0.5mm-0mm)
- **Height:** 45mm (1.77")
- **Max. Loading:** 45 kg (100 lb)
- **Mount:** Side Mount
- **Disconnect:** Lever Disconnect
- **Finish:** Clear Zinc or Black
- **Material:** Cold Rolled Steel

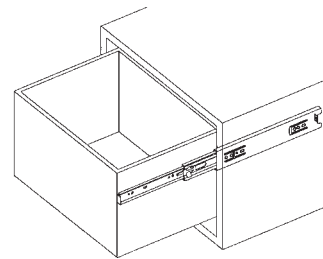
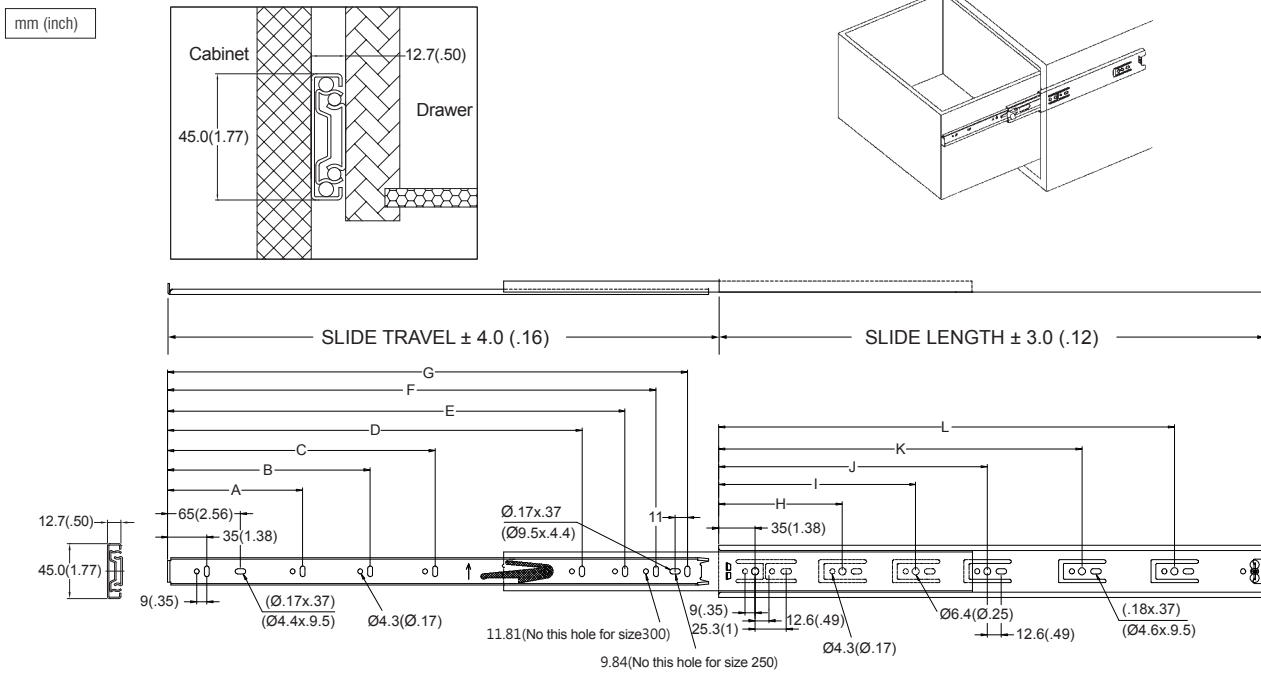
Packing

- Unit Packed in 15 pairs/carton
- Bulk Packed in 40 pcs/carton for cabinet member 100 pcs/carton for drawer member

Applications

Home Cabinets, Box Drawers, Desk and Storage Drawers and file Drawers

Dimension Specifications



Note: Holes other than those shown may be in the slide member at King Slide's option and may change without notice.

Item No.	Slide Length mm (inch)	Slide Travel mm (inch)	Loading Capacity kg (lb) / pair	Holes Position mm (inch)											
				A	B	C	D	E	F	G	H	I	J	K	L
3301-200	195.0 (7.67)	225 (8.85)	—	—	—	—	—	—	—	—	—	—	—	—	—
3301-250	250.0 (9.84)	250.0 (9.84)	23.0 (50.0)	131 (5.16)	—	—	—	—	—	—	227 (8.94)	—	—	—	195 (7.68)
3301-300	300.0 (11.81)	305.0 (12.00)	27.0 (60.0)	163 (6.42)	—	—	—	—	255 (10.04)	277 (10.91)	163 (6.42)	—	—	—	259 (10.20)
3301-350	350.0 (13.78)	351.0 (13.82)	34.0 (75.0)	163 (6.42)	—	—	—	—	305 (12.01)	327 (12.87)	163 (6.42)	—	—	—	259 (10.20)
3301-400	400.0 (15.75)	403.0 (15.87)	45.0 (100.0)	163 (6.42)	—	—	—	—	355 (1.98)	377 (14.84)	163 (6.42)	259 (10.20)	—	—	355 (13.98)
3301-450	450.0 (17.72)	452.0 (17.80)	45.0 (100.0)	163 (6.42)	—	355 (13.98)	—	—	405 (15.95)	427 (16.81)	163 (6.42)	259 (10.20)	—	—	387 (15.24)
3301-500	500.0 (19.69)	509.0 (20.04)	45.0 (100.0)	163 (6.42)	259 (10.20)	355 (13.98)	—	—	451 (17.75)	477 (18.78)	163 (6.42)	259 (10.20)	—	—	451 (17.76)
3301-550	550.0 (21.65)	563.0 (22.17)	45.0 (100.0)	163 (6.42)	259 (10.20)	451 (17.75)	—	—	505 (19.88)	527 (20.75)	163 (6.42)	259 (10.20)	387 (15.24)	—	483 (19.02)
3301-600	600.0 (23.62)	605.0 (23.83)	39.0 (85.0)	163 (6.42)	259 (10.20)	451 (17.75)	—	—	555 (21.85)	577 (22.72)	163 (6.42)	259 (10.20)	387 (15.24)	—	515 (20.28)
3301-650	650.0 (25.59)	656.0 (25.83)	32.0 (70.0)	163 (6.42)	259 (10.20)	451 (17.75)	579 (22.80)	—	605 (23.82)	627 (24.69)	163 (6.42)	259 (10.20)	387 (15.24)	—	579 (22.80)
3301-700	700.0 (27.56)	707.0 (27.83)	27.0 (60.0)	163 (6.42)	259 (10.20)	451 (17.75)	579 (22.80)	—	655 (25.79)	677 (26.65)	163 (6.42)	259 (10.20)	387 (15.24)	—	579 (22.80)
3301-750	750.0 (29.53)	757.0 (29.80)	22.0 (48.0)	163 (6.42)	259 (10.20)	355 (13.98)	579 (22.80)	—	705 (27.76)	727 (28.62)	163 (6.42)	259 (10.20)	387 (15.24)	—	579 (22.80)
3301-800	800.0 (31.50)	805.0 (31.69)	18.0 (39.0)	163 (6.42)	259 (10.20)	355 (13.98)	579 (22.80)	—	755 (29.73)	777 (30.59)	163 (6.42)	259 (10.20)	387 (15.24)	579 (22.80)	707 (27.83)
3301-900	900.0 (35.43)	999.0 (39.33)	18.0 (39.0)	163 (6.42)	259 (10.20)	387 (15.24)	611 (24.06)	739 (29.09)	855 (33.66)	877 (34.53)	163 (6.42)	259 (10.20)	387 (15.24)	579 (22.80)	771 (30.35)

3M01 Full Extension Ball Bearing Slide -Standard Type



Specifications

- **Length:** 250mm to 1000mm (10" to 40")
- **Profile:** 45.6mm x 12.7mm
- **Travel:** Full Extension
- **Side Space:** 12.7mm (+0.5mm-0mm)
- **Height:** 45.6mm (1.80")
- **Max. Loading:** 45 kg (100 lb)
- **Mount:** Side Mount
- **Disconnect:** Lever Disconnect
- **Finish:** Clear Zinc or Black
- **Material:** Cold Rolled Steel

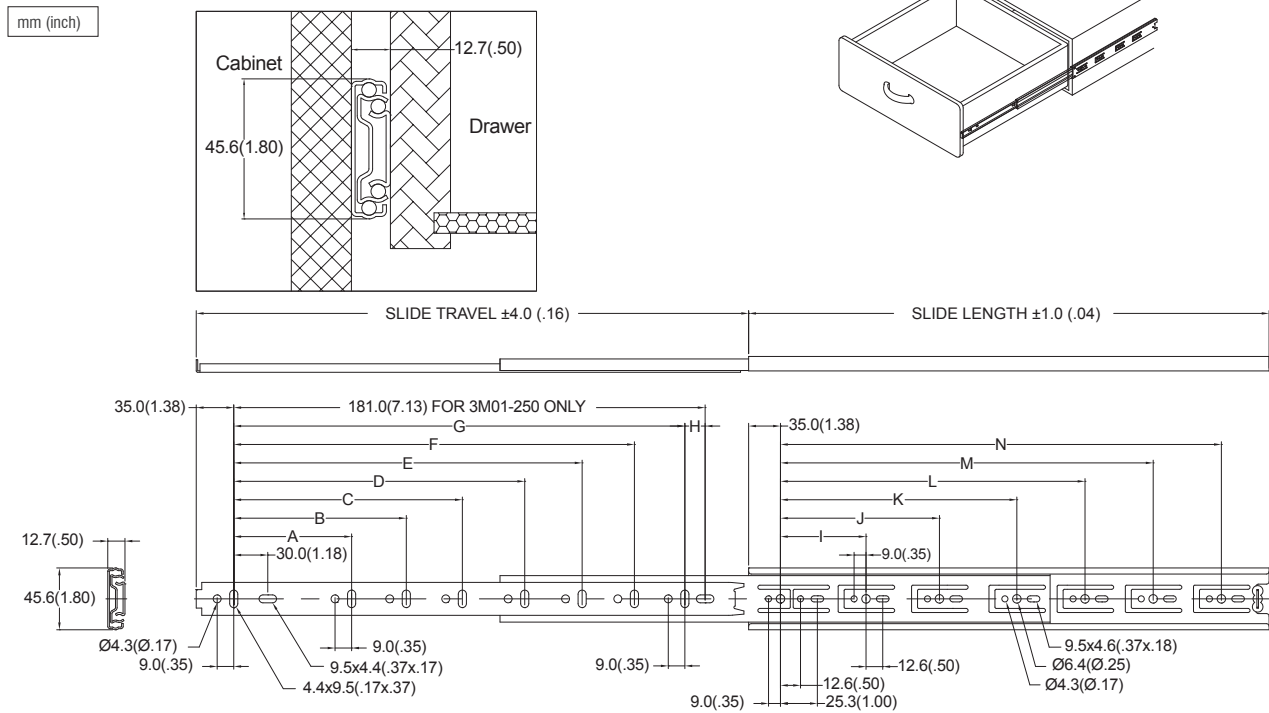
Packing

- Unit Packed in 15 pairs/carton
- Bulk Packed in 40 pcs/carton for cabinet member 100 pcs/carton for drawer member

Applications

- Kitchen Furniture, Home Cabinets, Box Drawers, Desk and Storage Drawers and File Drawers

Dimension Specifications



Note: Holes other than those shown may be in the slide member at King Slide's option and may change without notice.

Item No.	Slide Length mm (inch)	Slide Travel mm (inch)	Loading Capacity kg (lb) / pair	Holes Position mm (inch)													
				A	B	C	D	E	F	G	H	I	J	K	L	M	N
3M01-250	250.0 (9.84)	256.7 (10.11)	22.7 (50.0)	96.0 (3.78)	—	—	—	—	—	—	—	—	—	—	—	—	160.0 (6.30)
3M01-300	300.0 (11.81)	306.7 (12.07)	27.3 (60.0)	128.0 (5.04)	—	—	—	—	—	220.0 (8.66)	11.0 (0.43)	128.0 (5.04)	—	—	—	—	224.0 (8.82)
3M01-350	350.0 (13.78)	356.7 (14.04)	34.1 (75.0)	128.0 (5.04)	—	—	—	—	—	270.0 (10.63)	11.0 (0.43)	128.0 (5.04)	—	—	—	—	224.0 (8.82)
3M01-400	400.0 (15.75)	406.7 (16.01)	45.4 (100.0)	128.0 (5.04)	—	—	—	—	—	320.0 (12.60)	11.0 (0.43)	128.0 (5.04)	224.0 (8.82)	—	—	—	320.0 (12.60)
3M01-450	450.0 (17.72)	456.7 (17.98)	45.4 (100.0)	128.0 (5.04)	320.0 (12.60)	—	—	—	—	370.0 (14.57)	11.0 (0.43)	128.0 (5.04)	224.0 (8.82)	—	—	—	352.0 (13.86)
3M01-500	500.0 (19.69)	506.7 (19.95)	45.4 (100.0)	128.0 (5.04)	224.0 (8.82)	320.0 (12.60)	—	—	—	416.0 (16.38)	11.0 (0.43)	128.0 (5.04)	224.0 (8.82)	—	—	—	416.0 (16.38)
3M01-550	550.0 (21.65)	556.7 (21.92)	45.4 (100.0)	128.0 (5.04)	224.0 (8.82)	416.0 (16.38)	—	—	—	470.0 (18.53)	11.0 (0.43)	128.0 (5.04)	224.0 (8.82)	352.0 (13.86)	—	—	448.0 (17.64)
3M01-600	600.0 (23.62)	606.7 (23.89)	38.6 (85.0)	128.0 (5.04)	224.0 (8.82)	416.0 (16.38)	—	—	—	520.0 (20.47)	11.0 (0.43)	128.0 (5.04)	224.0 (8.82)	352.0 (13.86)	—	—	480.0 (18.90)
3M01-650	650.0 (25.59)	656.7 (25.85)	31.8 (70.0)	128.0 (5.04)	224.0 (8.82)	416.0 (16.38)	544.0 (21.42)	—	—	570.0 (22.44)	11.0 (0.43)	128.0 (5.04)	224.0 (8.82)	352.0 (13.86)	—	—	544.0 (21.42)
3M01-700	700.0 (27.56)	706.7 (27.82)	27.2 (60.0)	128.0 (5.04)	224.0 (8.82)	416.0 (16.38)	544.0 (21.42)	—	—	620.0 (24.41)	11.0 (0.43)	128.0 (5.04)	224.0 (8.82)	352.0 (13.86)	—	—	544.0 (21.42)
3M01-750	750.0 (29.53)	756.7 (29.79)	21.8 (48.0)	128.0 (5.04)	224.0 (8.82)	320.0 (12.60)	544.0 (21.42)	—	—	670.0 (26.38)	11.0 (0.43)	128.0 (5.04)	224.0 (8.82)	352.0 (13.86)	—	—	544.0 (21.42)
3M01-800	800.0 (31.50)	806.7 (31.76)	17.7 (39.0)	128.0 (5.04)	224.0 (8.82)	320.0 (12.60)	544.0 (21.42)	—	—	720.0 (28.35)	11.0 (0.43)	128.0 (5.04)	224.0 (8.82)	352.0 (13.86)	544.0 (21.42)	—	672.0 (26.46)
3M01-850	850.0 (33.46)	856.7 (33.73)	17.7 (39.0)	128.0 (5.04)	224.0 (8.82)	352.0 (13.86)	576.0 (22.68)	704.0 (27.72)	—	770.0 (30.31)	11.0 (0.43)	128.0 (5.04)	224.0 (8.82)	352.0 (13.86)	544.0 (21.42)	—	736.0 (28.98)
3M01-900	900.0 (35.43)	906.7 (35.70)	17.7 (39.0)	128.0 (5.04)	224.0 (8.82)	352.0 (13.86)	576.0 (22.68)	704.0 (27.72)	—	820.0 (32.28)	11.0 (0.43)	128.0 (5.04)	224.0 (8.82)	352.0 (13.86)	544.0 (21.42)	—	736.0 (28.98)
3M01-950	950.0 (37.40)	956.7 (37.67)	17.7 (39.0)	128.0 (5.04)	224.0 (8.82)	352.0 (13.86)	576.0 (22.68)	704.0 (27.72)	—	870.0 (34.25)	11.0 (0.43)	128.0 (5.04)	224.0 (8.82)	352.0 (13.86)	544.0 (21.42)	—	736.0 (28.98)
3M01-1000	1000.0 (39.37)	1006.7 (39.63)	17.7 (39.0)	128.0 (5.04)	224.0 (8.82)	352.0 (13.86)	576.0 (22.68)	704.0 (27.72)	832.0 (32.76)	920.0 (36.24)	11.0 (0.43)	128.0 (5.04)	224.0 (8.82)	352.0 (13.86)	544.0 (21.42)	736.0 (28.98)	864.0 (34.02)

3M013 Full Extension Ball Bearing Slide -Standard Type



Specifications

- **Length:** 250mm to 650mm (10" to 26")
- **Profile:** 43.7mm x 12.7mm
- **Travel:** Full Extension
- **Side Space:** 12.7mm (+0.5mm-0mm)
- **Height:** 43.7mm (1.72")
- **Max. Loading:** 35 kg (77 lb)
- **Mount:** Side Mount
- **Disconnect:** Lever Disconnect
- **Finish:** Clear Zinc or Black
- **Material:** Cold Rolled Steel

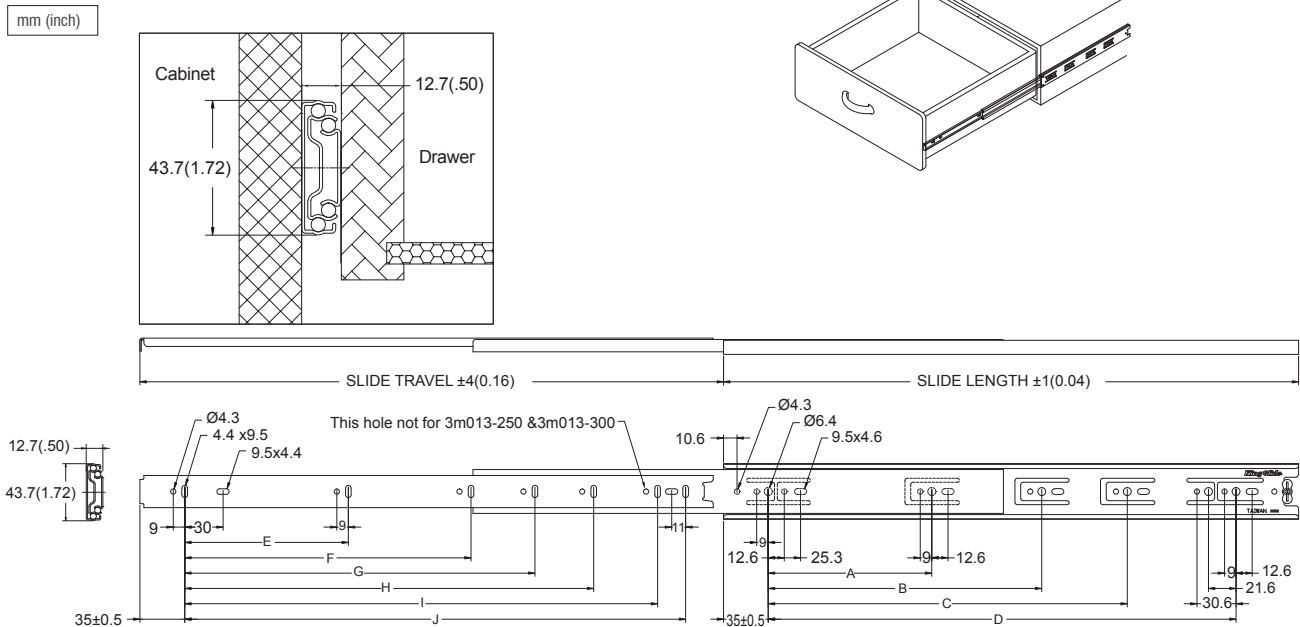
Packing

- Unit Packed in 15 pairs/carton

Applications

- Home Cabinets, Box Drawers, Desk and Storage Drawers and File Drawers

Dimension Specifications



Note: Holes other than those shown may be in the slide member at King Slide's option and may change without notice.

Item No.	Slide Length mm (inch)	Slide Travel mm (inch)	Loading Capacity kg (lb) / pair	Holes Position mm (inch)									
				A	B	C	D	E	F	G	H	I	J
3M013-250	250.0 (9.84)	256.6 (10.10)	30.0 (66.0)	—	—	—	160.0 (6.30)	96.0 (3.78)	—	—	—	192.0 (7.56)	—
3M013-300	300.0 (11.81)	306.6 (12.07)	30.0 (66.0)	128.0 (5.04)	—	—	224.0 (8.82)	128.0 (5.04)	—	—	—	220.0 (8.66)	242.0 (9.53)
3M013-350	350.0 (13.78)	356.6 (14.03)	30.0 (66.0)	128.0 (5.04)	—	—	224.0 (8.82)	128.0 (5.04)	—	—	—	270.0 (10.63)	292.0 (11.50)
3M013-400	400.0 (15.75)	406.6 (16.00)	35.0 (77.0)	128.0 (5.04)	224.0 (8.82)	—	320.0 (12.60)	128.0 (5.04)	—	—	—	320.0 (12.60)	342.0 (13.46)
3M013-450	450.0 (17.72)	456.6 (17.97)	35.0 (77.0)	128.0 (5.04)	224.0 (8.82)	—	352.0 (13.86)	128.0 (5.04)	—	—	320.0 (12.60)	370.0 (14.57)	392.0 (15.43)
3M013-500	500.0 (19.69)	506.6 (19.94)	35.0 (77.0)	128.0 (5.04)	224.0 (8.82)	—	416.0 (16.38)	128.0 (5.04)	—	224.0 (8.82)	320.0 (12.60)	416.0 (16.38)	442.0 (17.40)
3M013-550	550.0 (21.65)	556.6 (21.91)	30.0 (66.0)	128.0 (5.04)	224.0 (8.82)	352.0 (13.86)	448.0 (17.64)	128.0 (5.04)	—	224.0 (8.82)	416.0 (16.38)	470.0 (18.50)	492.0 (19.37)
3M013-600	600.0 (23.62)	606.6 (23.88)	30.0 (66.0)	128.0 (5.04)	224.0 (8.82)	352.0 (13.86)	480.0 (18.90)	128.0 (5.04)	—	224.0 (8.82)	416.0 (16.38)	520.0 (20.47)	542.0 (21.34)
3M013-650	650.0 (25.59)	656.6 (25.85)	30.0 (66.0)	128.0 (5.04)	224.0 (8.82)	352.0 (13.86)	544.0 (21.42)	128.0 (5.04)	224.0 (8.82)	416.0 (16.38)	544.0 (21.42)	570.0 (22.44)	592.0 (23.31)

3306 Full Extension Ball Bearing Slide -Bottom Mount



Specifications

- **Length:** 250mm to 800mm (10" to 32")
- **Profile:** 45mm x 12.7mm
- **Travel:** Full Extension
- **Side Space:** 12.7mm (+0.5mm-0mm)
- **Height:** 45mm (1.77")
- **Max. Loading:** 45 kg (100 lb)
- **Mount:** Bottom Mount
- **Disconnect:** Lever Disconnect
- **Finish:** Clear Zinc or Black
- **Material:** Cold Rolled Steel

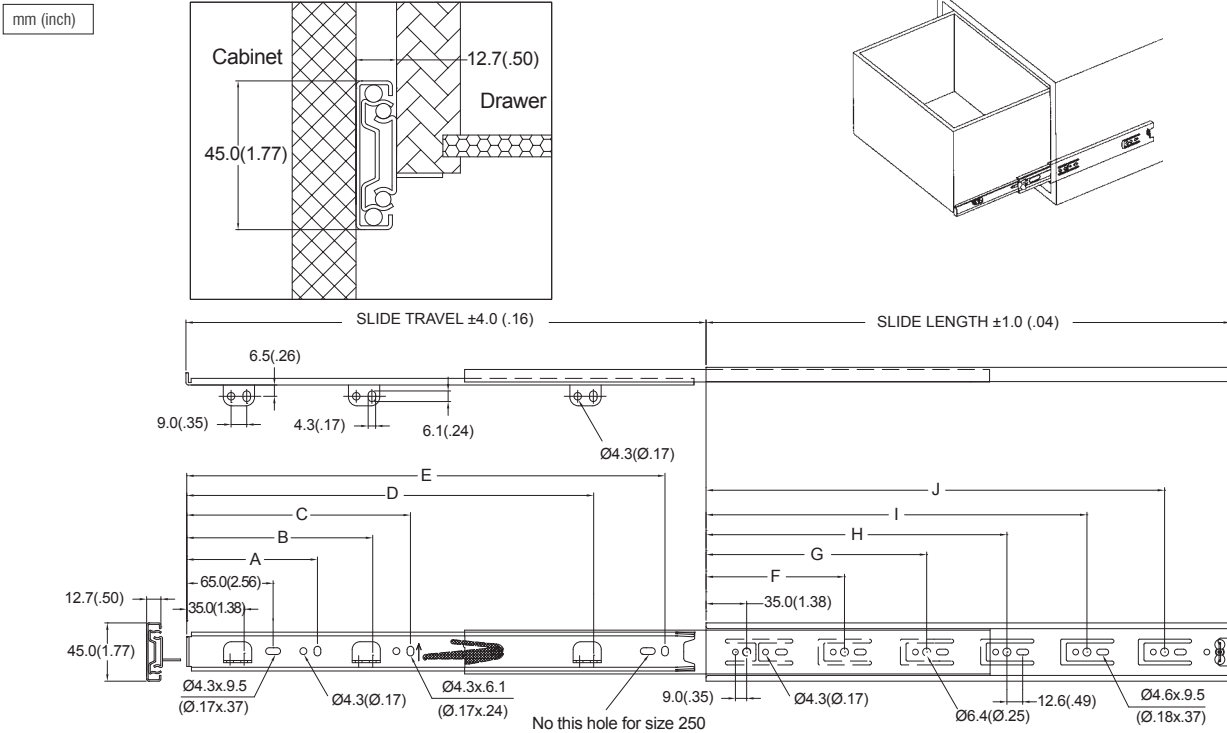
Packing

- Unit Packed in 12 pairs/carton

Applications

- Keyboard and Home Cabinets, Box Drawers, Desk and Storage Drawers and File Drawers

Dimension Specifications



Note: Holes other than those shown may be in the slide member at King Slide's option and may change without notice.

Item No.	Slide Length mm (inch)	Slide Travel mm (inch)	Loading Capacity kg (lb) / pair	Holes Position mm (inch)										
				A	B	C	D	E	F	G	H	I	J	
3306-250	250.0 (9.84)	250.0 (9.84)	23.0 (50.0)	—	131.0 (5.16)	—	—	227.0 (8.94)	—	—	—	—	—	195.0 (7.68)
3306-300	300.0 (11.81)	305.0 (12.01)	27.0 (60.0)	—	163.0 (6.42)	—	227.0 (10.91)	—	163.0 (6.42)	—	—	—	—	259.0 (10.20)
3306-350	350.0 (13.78)	351.0 (13.82)	34.0 (75.0)	—	163.0 (6.42)	—	327.0 (12.87)	—	163.0 (6.42)	—	—	—	—	259.0 (10.20)
3306-400	400.0 (15.75)	403.0 (15.87)	45.0 (100.0)	—	163.0 (6.42)	—	355.0 (13.98)	377.0 (14.84)	163.0 (6.42)	259.0 (10.20)	—	—	—	355.0 (13.98)
3306-450	450.0 (17.72)	452.0 (17.80)	45.0 (100.0)	—	163.0 (6.42)	—	355.0 (13.98)	427.0 (16.81)	163.0 (6.42)	259.0 (10.20)	—	—	—	387.0 (15.24)
3306-500	500.0 (19.69)	509.0 (20.04)	45.0 (100.0)	163.0 (6.42)	259.0 (10.20)	355.0 (13.98)	451.0 (17.75)	477.0 (18.78)	163.0 (6.42)	259.0 (10.20)	—	—	—	451.0 (17.76)
3306-550	550.0 (21.65)	563.0 (22.17)	45.0 (100.0)	163.0 (6.42)	259.0 (10.20)	—	451.0 (17.75)	527.0 (20.75)	163.0 (6.42)	259.0 (10.20)	387.0 (15.24)	—	—	483.0 (19.02)
3306-600	600.0 (23.62)	605.0 (23.83)	39.0 (85.0)	163.0 (6.42)	259.0 (10.20)	—	451.0 (17.75)	577.0 (22.72)	163.0 (6.42)	259.0 (10.20)	387.0 (15.24)	—	—	515.0 (20.28)
3306-650	650.0 (25.59)	656.0 (25.83)	32.0 (70.0)	163.0 (6.42)	259.0 (10.20)	451.0 (17.76)	579.0 (22.80)	627.0 (24.69)	163.0 (6.42)	259.0 (10.20)	387.0 (15.24)	—	—	579.0 (22.80)
3306-700	700.0 (27.56)	707.0 (27.83)	27.0 (60.0)	163.0 (6.42)	259.0 (10.20)	451.0 (17.76)	579.0 (22.80)	677.0 (26.65)	163.0 (6.42)	259.0 (10.20)	387.0 (15.24)	—	—	579.0 (22.80)
3306-750	750.0 (29.53)	757.0 (29.80)	22.0 (48.0)	163.0 (6.42)	259.0 (10.20)	355.0 (13.98)	579.0 (22.80)	727.0 (28.62)	163.0 (6.42)	259.0 (10.20)	387.0 (15.24)	—	—	579.0 (22.80)
3306-800	800.0 (31.50)	805.0 (31.69)	18.0 (39.0)	163.0 (6.42)	259.0 (10.20)	355.0 (13.98)	579.0 (22.80)	777.0 (30.59)	163.0 (6.42)	259.0 (10.20)	387.0 (15.24)	579.0 (22.80)	707.0 (27.83)	

King Slide reserves the right to alter specifications of all the products without notice. If the entity is different from the illustration, please refer to the entity.

3303 Full Extension Ball Bearing Slide -Bayonet Type



Specifications

- **Length:** 300mm to 700mm (12" to 28")
- **Profile:** 45mm x 12.7mm
- **Travel:** Full Extension
- **Side Space:** 12.7mm (+0.5mm-0mm)
- **Height:** 45mm (1.77")
- **Max. Loading:** 45 kg (100 lb)
- **Mount:** Side Mount
- **Disconnect:** Bayonet Disconnect
- **Finish:** Clear Zinc or Black
- **Material:** Cold Rolled Steel

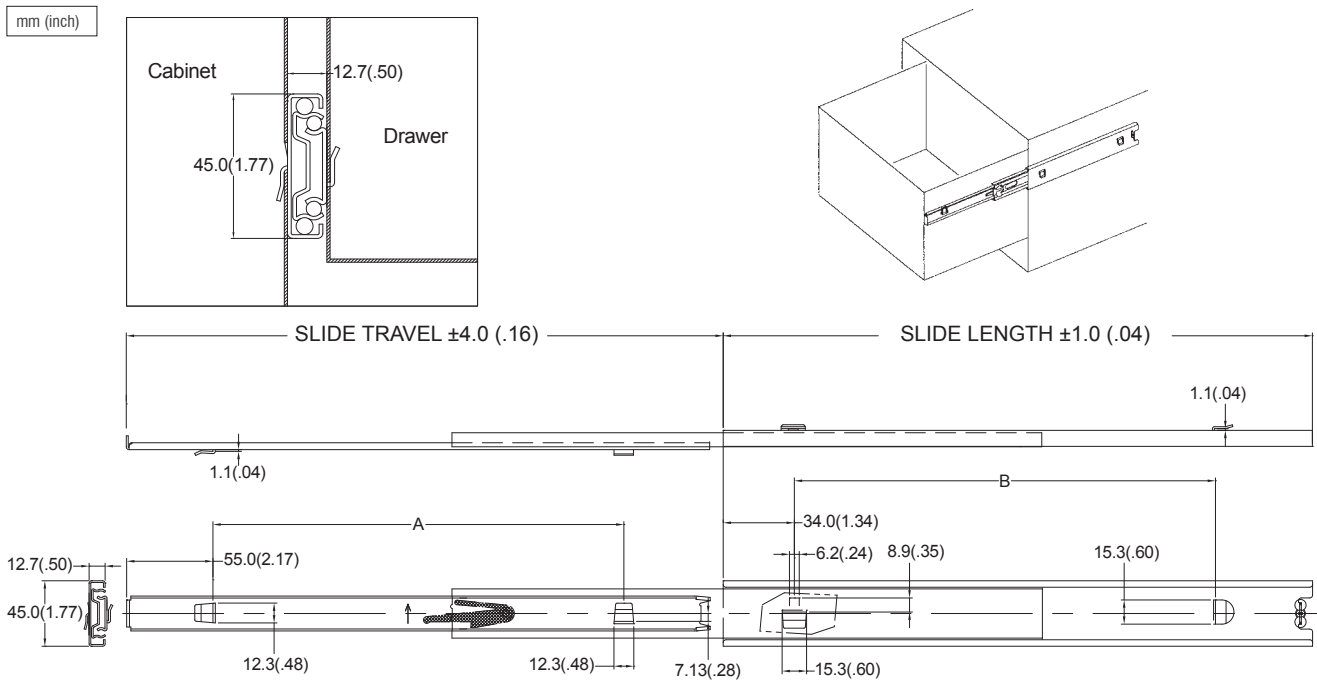
Packing

- Unit Packed in 15 pairs/carton
- Bulk Packed in 40 pcs/carton for cabinet member
- 100 pcs/carton for drawer member

Applications

- Home Cabinets, Box Drawers, Desk and Storage Drawers and File Drawers

Dimension Specifications



Note: Holes other than those shown may be in the slide member at King Slide's option and may change without notice.

Item No.	Slide Length mm (inch)	Slide Travel mm (inch)	Loading Capacity kg (lb) / pair	Holes Position mm (inch)	
				A	B
3303-300	300.0 (11.81)	305.0 (12.00)	27.0 (60.0)	213.0 (8.39)	185.0 (7.28)
3303-350	350.0 (13.78)	351.0 (13.82)	34.0 (75.0)	263.0 (10.35)	235.0 (9.25)
3303-400	400.0 (15.75)	403.0 (15.87)	45.0 (100.0)	288.0 (11.34)	285.0 (11.22)
3303-450	450.0 (17.72)	452.0 (17.80)	45.0 (100.0)	338.0 (13.31)	335.0 (13.19)
3303-500	500.0 (19.69)	509.0 (20.04)	45.0 (100.0)	338.0 (13.31)	385.0 (15.16)
3303-550	550.0 (21.65)	563.0 (22.17)	45.0 (100.0)	388.0 (15.28)	435.0 (17.33)
3303-600	600.0 (23.62)	605.0 (23.83)	39.0 (85.0)	438.0 (17.24)	485.0 (19.09)
3303-650	650.0 (25.59)	656.0 (25.83)	32.0 (70.0)	483.0 (19.02)	535.0 (21.06)
3303-700	700.0 (27.56)	707.0 (27.83)	27.0 (60.0)	533.0 (20.98)	585.0 (23.03)



3304 Full Extension Ball Bearing Slide for Wire Basket

Specifications

- **Length:** 400mm to 450mm (16" to 18")
- **Profile:** 45mm x 34.5mm
- **Travel:** Full Extension
- **Side Space:** 34.5mm (+0.5mm-0mm)
- **Height:** 45mm (1.77")
- **Max. Loading:** 34 kg (75 lb)
- **Mount:** Side Mount
- **Disconnect:** Lever Disconnect
- **Finish:** Clear Zinc or Black
- **Material:** Cold Rolled Steel

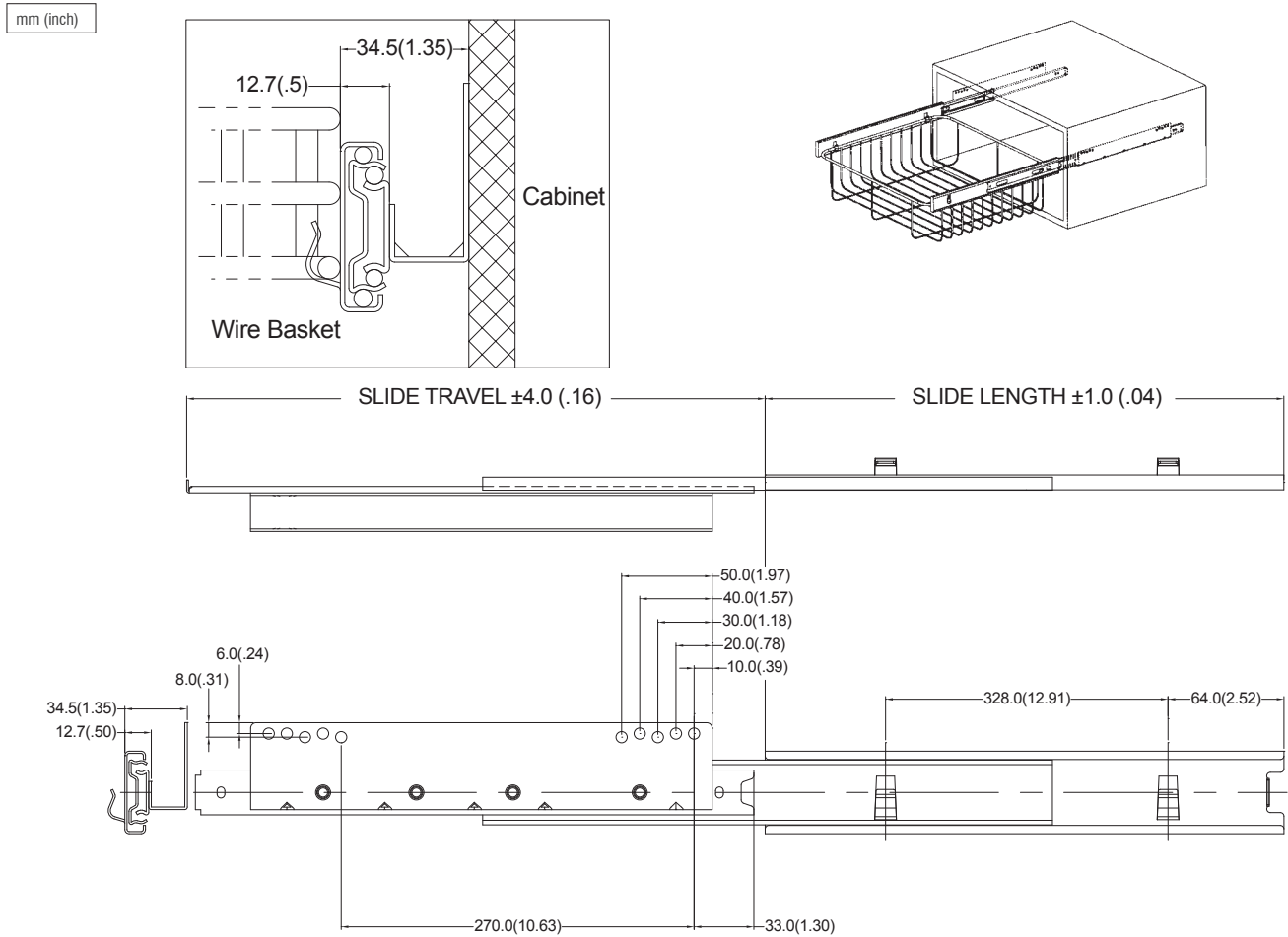
Packing

- Unit Packed in 6 pairs/carton

Applications

- Wire Basket Drawers for Kitchen and Furniture

Dimension Specifications



Note: Holes other than those shown may be in the slide member at King Slide's option and may change without notice.

Item No.	Slide Length mm (inch)	Slide Travel mm (inch)	Loading Capacity kg (lb) / pair
3304-400	400.0 (15.75)	403.0 (15.87)	34.0 (75.0)
3304-450	450.0 (17.72)	452.0 (17.80)	34.0 (75.0)

3304A

Full Extension
Ball Bearing Slide
with Adjustable Bracket



Specifications

- **Length:** 400mm to 450mm (16" to 18")
- **Profile:** 34.5mm x 12.7mm
- **Travel:** Full Extension
- **Side Space:** 34.5mm (+0.5mm-0mm)
- **Height:** 45mm (1.77")
- **Max. Loading:** 34 kg (75 lb)
- **Mount:** Side Mount
- **Disconnect:** Lever Disconnect
- **Finish:** Clear Zinc or Black
- **Material:** Cold Rolled Steel

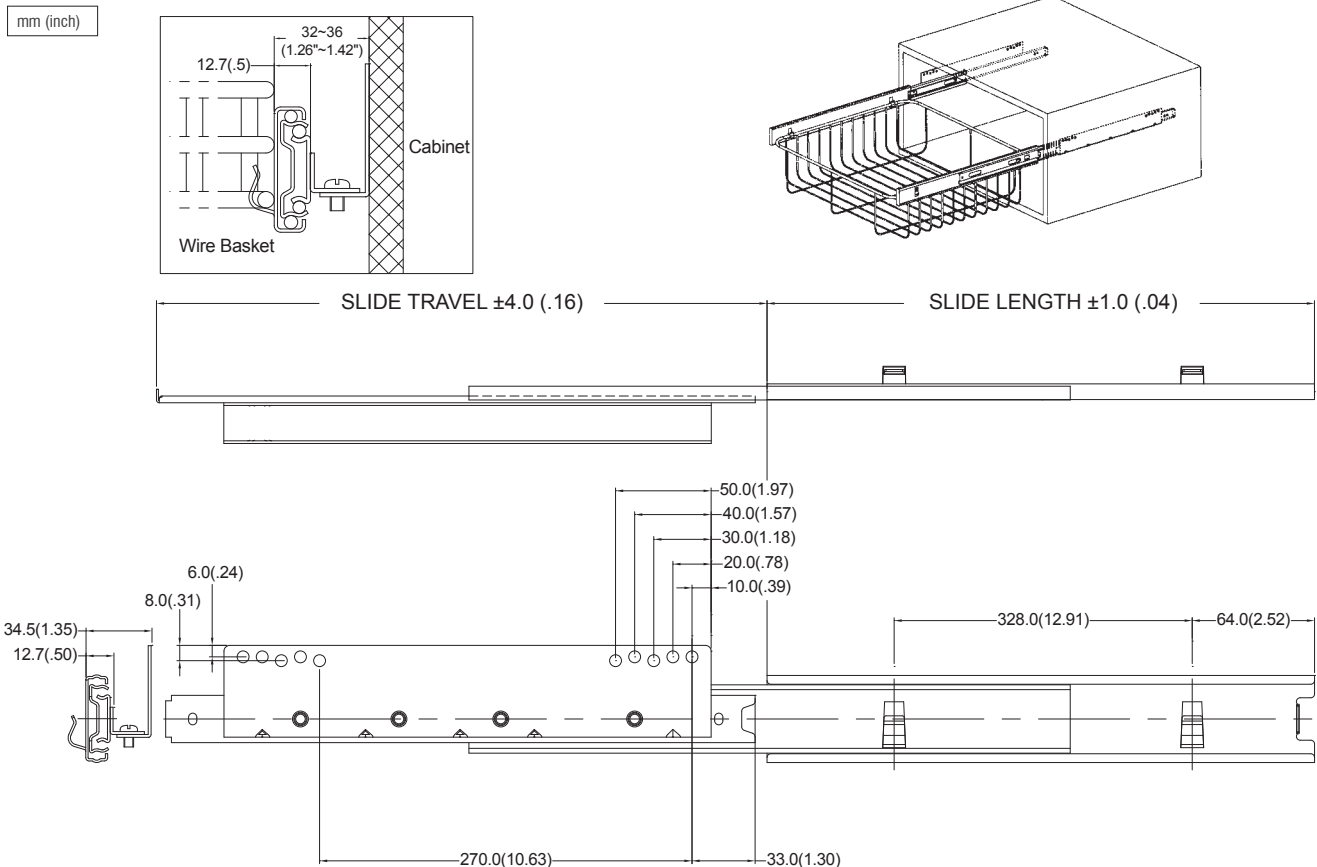
Packing

- Unit Packed in 6 pairs/carton

Applications

- Wire Basket Drawers for Kitchen and Furniture

Dimension Specifications



Note: Holes other than those shown may be in the slide member at King Slide's option and may change without notice.

Item No.	Slide Length mm (inch)	Slide Travel mm (inch)	Loading Capacity kg (lb) / pair
3304A400	400.0 (15.75)	403.0 (15.87)	34.0 (75.0)
3304A450	450.0 (17.72)	452.0 (17.80)	34.0 (75.0)

3J01 Full Extension Ball Bearing Slide -Standard Type



Specifications

- **Length:** 250mm to 650mm (10" to 26")
- **Profile:** 37.2mm x 12.7mm
- **Travel:** Full Extension
- **Side Space:** 12.7mm (+0.5mm-0mm)
- **Height:** 37.2mm (1.46")
- **Max. Loading:** 34 kg (75 lb)
- **Mount:** Side Mount
- **Disconnect:** Clip Disconnect
- **Finish:** Clear Zinc or Black
- **Material:** Cold Rolled Steel

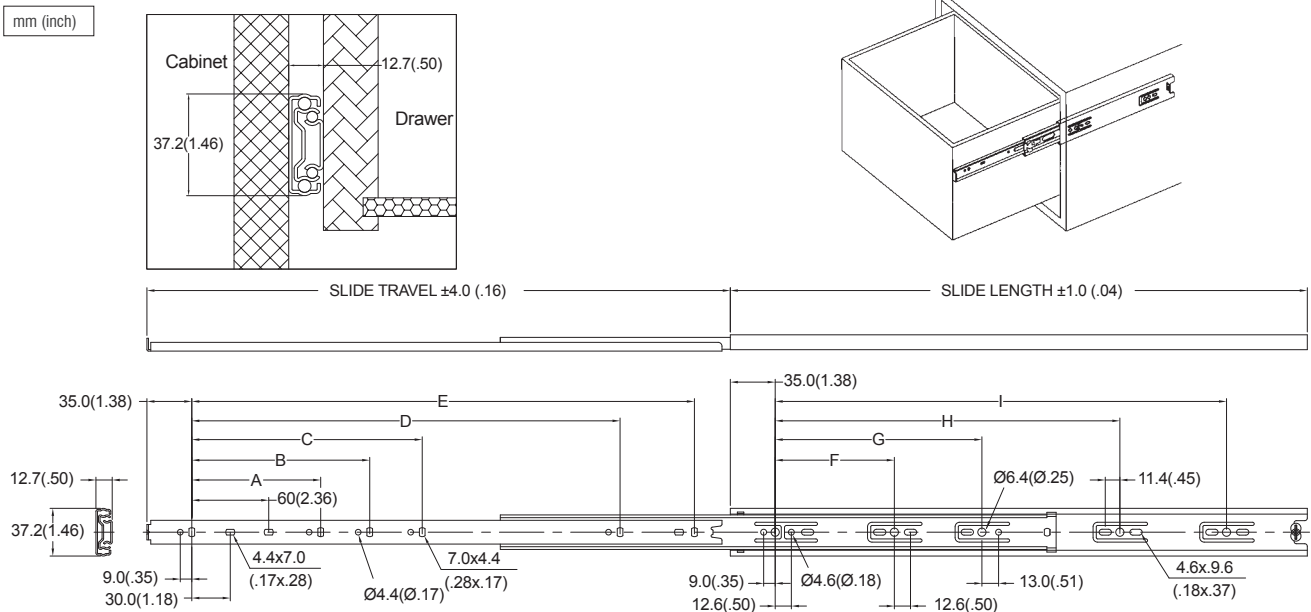
Packing

- Unit Packed in 16 pairs/carton
- Bulk Packed in 40 pcs/carton for cabinet member 100 pcs/carton for drawer member

Applications

- Home Cabinets, Box Drawers, Desk and Storage Drawers and File Drawers

Dimension Specifications



Note: Holes other than those shown may be in the slide member at King Slide's option and may change without notice.

Item No.	Slide Length mm (inch)	Slide Travel mm (inch)	Loading Capacity kg (lb) / pair	Holes Position mm (inch)								
				A	B	C	D	E	F	G	H	I
3J01-250	250.0 (9.84)	255.0 (10.04)	17.5 (38.0)	—	—	—	—	192.0 (7.56)	160.0 (6.30)	—	—	—
3J01-300	300.0 (11.81)	313.0 (12.32)	20.7 (45.0)	128.0 (5.04)	—	—	—	242.0 (9.53)	128.0 (5.04)	224.0 (8.82)	—	—
3J01-350	350.0 (13.78)	363.0 (14.30)	25.7 (56.0)	128.0 (5.04)	—	—	—	292.0 (11.50)	128.0 (5.04)	224.0 (8.82)	—	—
3J01-400	400.0 (15.75)	405.0 (15.94)	34.5 (75.0)	128.0 (5.04)	—	320.0 (12.60)	—	342.0 (13.46)	128.0 (5.04)	224.0 (8.82)	320.0 (12.60)	—
3J01-450	450.0 (17.72)	455.0 (17.91)	34.5 (75.0)	128.0 (5.04)	—	320.0 (12.60)	—	392.0 (15.43)	128.0 (5.04)	224.0 (8.82)	352.0 (13.86)	—
3J01-500	500.0 (19.69)	505.0 (19.88)	34.5 (75.0)	128.0 (5.04)	—	320.0 (12.60)	416.0 (16.38)	442.0 (17.40)	128.0 (5.04)	224.0 (8.82)	416.0 (16.38)	—
3J01-550	550.0 (21.65)	555.0 (21.85)	34.5 (75.0)	128.0 (5.04)	—	320.0 (12.60)	416.0 (16.38)	492.0 (19.37)	128.0 (5.04)	224.0 (8.82)	352.0 (13.86)	448.0 (17.64)
3J01-600	600.0 (23.62)	605.0 (23.82)	29.5 (64.0)	128.0 (5.04)	224.0 (8.82)	416.0 (16.38)	—	542.0 (21.34)	128.0 (5.04)	224.0 (8.82)	352.0 (13.86)	480.0 (18.90)
3J01-650	650.0 (25.59)	655.0 (25.79)	24.4 (53.0)	128.0 (5.04)	224.0 (8.82)	416.0 (16.38)	544.0 (21.42)	592.0 (23.31)	128.0 (5.04)	224.0 (8.82)	352.0 (13.86)	544.0 (21.42)

3J06 Full Extension Ball Bearing Slide -Bottom Mount



Specifications

- **Length:** 250mm to 650mm (10" to 26")
- **Profile:** 37.2mm x 12.7mm
- **Travel:** Full Extension
- **Side Space:** 12.7mm (+0.5mm-0mm)
- **Height:** 37.2mm (1.46")
- **Max. Loading:** 34 kg (75 lb)
- **Mount:** Bottom Mount
- **Disconnect:** Clip Disconnect
- **Finish:** Clear Zinc or Black
- **Material:** Cold Rolled Steel

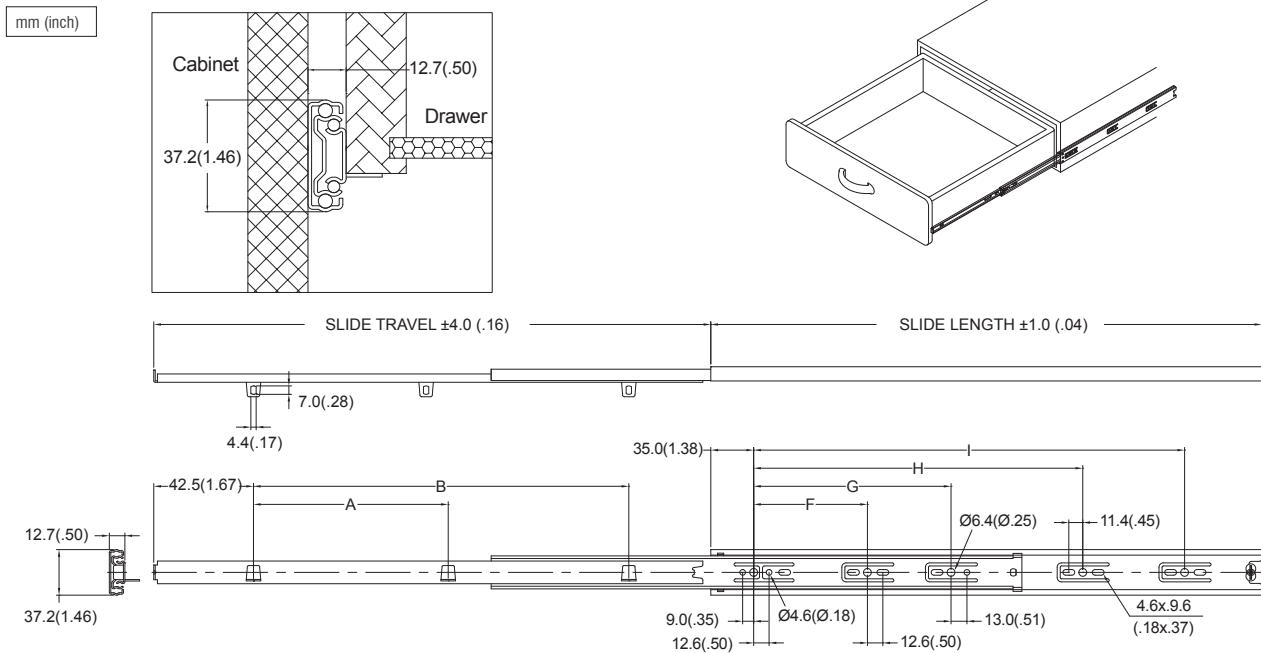
Packing

- Bulk Packed in
30 pcs/carton for cabinet member
90 pcs/ carton for drawer member

Applications

- Home and Office Cabinets, Box Drawers

Dimension Specifications



Note: Holes other than those shown may be in the slide member at King Slide's option and may change without notice.

Item No.	Slide Length mm (inch)	Slide Travel mm (inch)	Loading Capacity kg (lb) / pair	Holes Position mm (inch)					
				A	B	F	G	H	I
3J06-250	250.0 (9.84)	255.0 (10.04)	23.0 (50.0)	—	160.0 (6.30)	160.0 (6.30)	—	—	—
3J06-300	300.0 (11.81)	313.0 (12.32)	27.0 (60.0)	—	210.0 (8.27)	128.0 (5.04)	224.0 (8.82)	—	—
3J06-350	350.0 (13.78)	363.0 (14.30)	27.0 (60.0)	120.0 (4.72)	260.0 (10.24)	128.0 (5.04)	224.0 (8.82)	—	—
3J06-400	400.0 (15.75)	405.0 (15.94)	32.0 (70.0)	120.0 (4.72)	310.0 (12.20)	128.0 (5.04)	224.0 (8.82)	320.0 (12.60)	—
3J06-450	450.0 (17.72)	455.0 (17.91)	34.0 (75.0)	180.0 (7.09)	360.0 (14.17)	128.0 (5.04)	224.0 (8.82)	352.0 (13.86)	—
3J06-500	500.0 (19.69)	505.0 (19.88)	34.0 (75.0)	180.0 (7.09)	410.0 (16.14)	128.0 (5.04)	224.0 (8.82)	416.0 (16.38)	—
3J06-550	550.0 (21.65)	555.0 (21.85)	34.0 (75.0)	210.0 (8.27)	460.0 (18.11)	128.0 (5.04)	224.0 (8.82)	352.0 (13.86)	448.0 (17.64)
3J06-600	600.0 (23.62)	605.0 (23.82)	32.0 (70.0)	240.0 (9.45)	510.0 (20.08)	128.0 (5.04)	224.0 (8.82)	352.0 (13.86)	480.0 (18.90)
3J06-650	650.0 (25.59)	655.0 (25.79)	27.0 (60.0)	270.0 (10.63)	560.0 (22.05)	128.0 (5.04)	224.0 (8.82)	352.0 (13.86)	544.0 (21.42)

3J03

Full Extension
Ball Bearing Slide
-Bayonet Type



Specifications

- **Length:** 250mm to 650mm (10" to 26")
- **Profile:** 37.2mm x 12.7mm
- **Travel:** Full Extension
- **Side Space:** 12.7mm (+0.5mm-0mm)
- **Height:** 37.2mm (1.46")
- **Max. Loading:** 34 kg (75 lb)
- **Mount:** Side Mount
- **Disconnect:** Bayonet Disconnect
- **Finish:** Clear Zinc or Black
- **Material:** Cold Rolled Steel

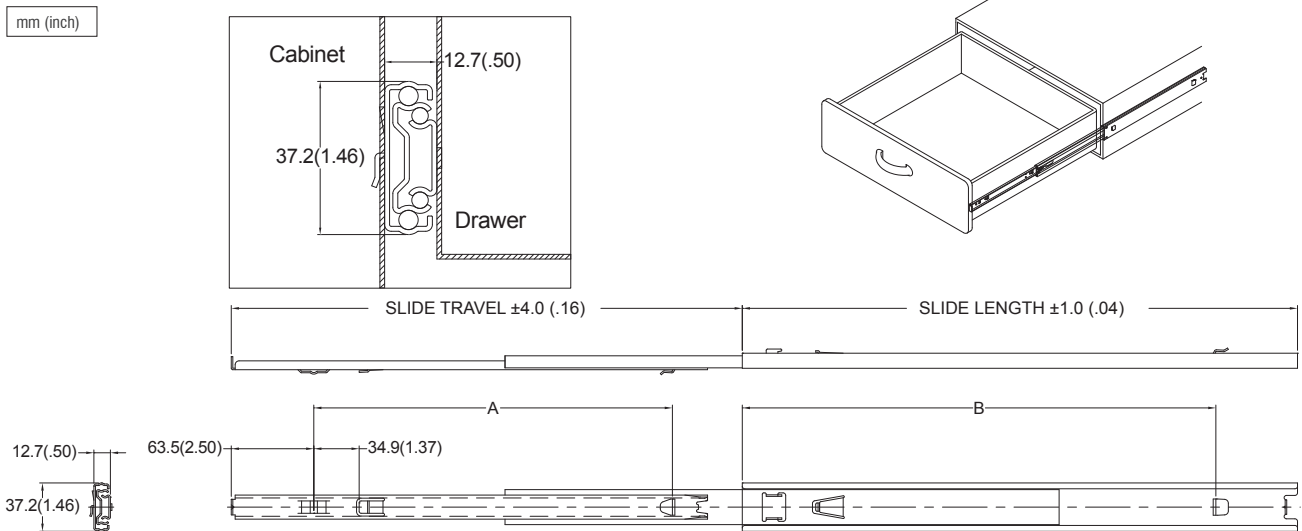
Packing

- Bulk Packed in
30 pcs/carton for cabinet member
90 pcs/carton for drawer member

Applications

- Home and Office Cabinets, Box Drawers

Dimension Specifications



Note: Holes other than those shown may be in the slide member at King Slide's option and may change without notice.

Item No.	Slide Length mm (inch)	Slide Travel mm (inch)	Loading Capacity kg (lb) / pair	Holes Position mm (inch)	
				A	B
3J03-250	250.0 (9.84)	255.0 (10.04)	23.0 (50.0)	161.9 (6.37)	136.9 (5.39)
3J03-300	300.0 (11.81)	313.0 (12.32)	27.0 (60.0)	211.9 (8.34)	186.9 (7.36)
3J03-350	350.0 (13.78)	363.0 (14.30)	27.0 (60.0)	261.9 (10.31)	236.9 (9.33)
3J03-400	400.0 (15.75)	405.0 (15.94)	32.0 (70.0)	311.9 (12.28)	286.9 (11.30)
3J03-450	450.0 (17.72)	455.0 (17.91)	34.0 (75.0)	361.9 (14.25)	336.9 (13.26)
3J03-500	500.0 (19.69)	505.0 (19.88)	34.0 (75.0)	411.9 (16.22)	386.9 (15.23)
3J03-550	550.0 (21.65)	555.0 (21.85)	34.0 (75.0)	461.9 (18.19)	436.9 (17.20)
3J03-600	600.0 (23.62)	605.0 (23.82)	32.0 (70.0)	511.9 (20.15)	486.9 (19.17)
3J03-650	650.0 (25.59)	655.0 (25.79)	27.0 (60.0)	561.9 (22.12)	536.9 (21.14)

3502

3/4 Extension Ball Bearing Slide -Standard Type



Specifications

- **Length:** 300mm to 650mm (12" to 26")
- **Profile:** 35mm x 10mm
- **Travel:** 3/4 Extension
- **Side Space:** 10mm (+0.5mm-0mm)
- **Height:** 35mm (1.38")
- **Max. Loading:** 25 kg (55 lb)
- **Mount:** Side Mount
- **Disconnect:** Lever Disconnect
- **Finish:** Clear Zinc or Black
- **Material:** Cold Rolled Steel

Packing

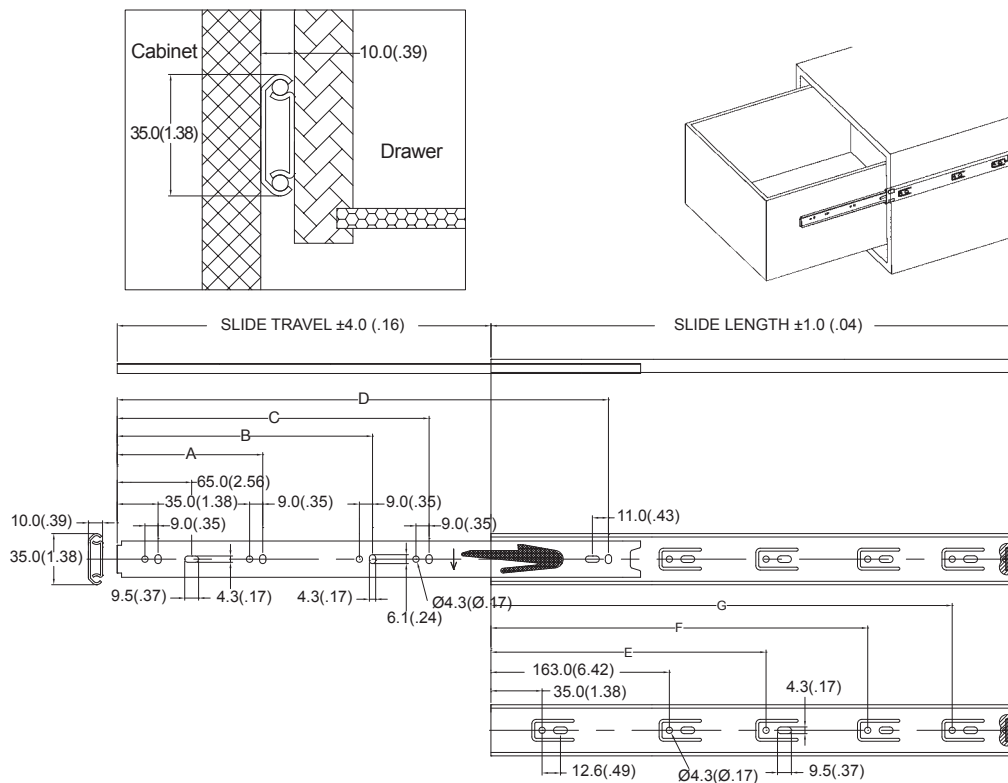
- Unit Packed in 20 pairs/carton
- Bulk Packed in
40 pcs/carton for cabinet member
80 pcs/carton for drawer member

Applications

- Home Cabinets, Box Drawers, Desk and Storage Drawers and File Drawers

Dimension Specifications

mm (inch)



Note: Holes other than those shown may be in the slide member at King Slide's option and may change without notice.

Item No.	Slide Length mm (inch)	Slide Travel mm (inch)	Loading Capacity kg (lb) / pair	Holes Position mm (inch)						
				A	B	C	D	E	F	G
3502-300	300.0 (11.81)	200.0 (7.87)	25.0 (55.0)	131.0 (5.16)	277.0 (10.91)	—	—	259.0 (10.20)	—	—
3502-350	350.0 (13.78)	250.0 (9.84)	25.0 (55.0)	131.0 (5.16)	327.0 (12.87)	—	—	291.0 (11.46)	—	—
3502-400	400.0 (15.75)	300.0 (11.81)	22.0 (50.0)	131.0 (5.16)	227.0 (8.94)	377.0 (14.84)	—	259.0 (10.20)	327.0 (12.87)	—
3502-450	450.0 (17.72)	350.0 (13.78)	22.0 (50.0)	131.0 (5.16)	291.0 (11.46)	427.0 (16.81)	—	259.0 (10.20)	387.0 (15.24)	—
3502-500	500.0 (19.69)	380.0 (14.96)	22.0 (50.0)	131.0 (5.16)	259.0 (10.20)	323.0 (12.72)	477.0 (18.78)	259.0 (10.20)	419.0 (16.50)	—
3502-550	550.0 (21.65)	420.0 (16.54)	20.0 (45.0)	131.0 (5.16)	259.0 (10.20)	355.0 (13.98)	527.0 (20.75)	259.0 (10.20)	355.0 (13.98)	483.0 (19.02)
3502-600	600.0 (23.62)	445.0 (17.52)	18.0 (40.0)	131.0 (5.16)	259.0 (10.20)	355.0 (13.98)	577.0 (22.72)	259.0 (10.20)	387.0 (15.24)	515.0 (20.28)
3502-650	650.0 (25.59)	475.0 (18.70)	18.0 (40.0)	131.0 (5.16)	259.0 (10.20)	355.0 (13.98)	627.0 (24.69)	259.0 (10.20)	387.0 (15.24)	579.0 (22.80)

3506

3/4 Extension Ball Bearing Slide -Bottom Mount



4

Ball Bearing Slides

Specifications

- **Length:** 300mm to 650mm (12" to 26")
- **Profile:** 35mm x 10mm
- **Travel:** 3/4 Extension
- **Side Space:** 10mm (+0.5mm-0mm)
- **Height:** 35mm (1.38")
- **Max. Loading:** 25 kg (55 lb)
- **Mount:** Bottom Mount
- **Disconnect:** Lever Disconnect
- **Finish:** Clear Zinc or Black
- **Material:** Cold Rolled Steel

Packing

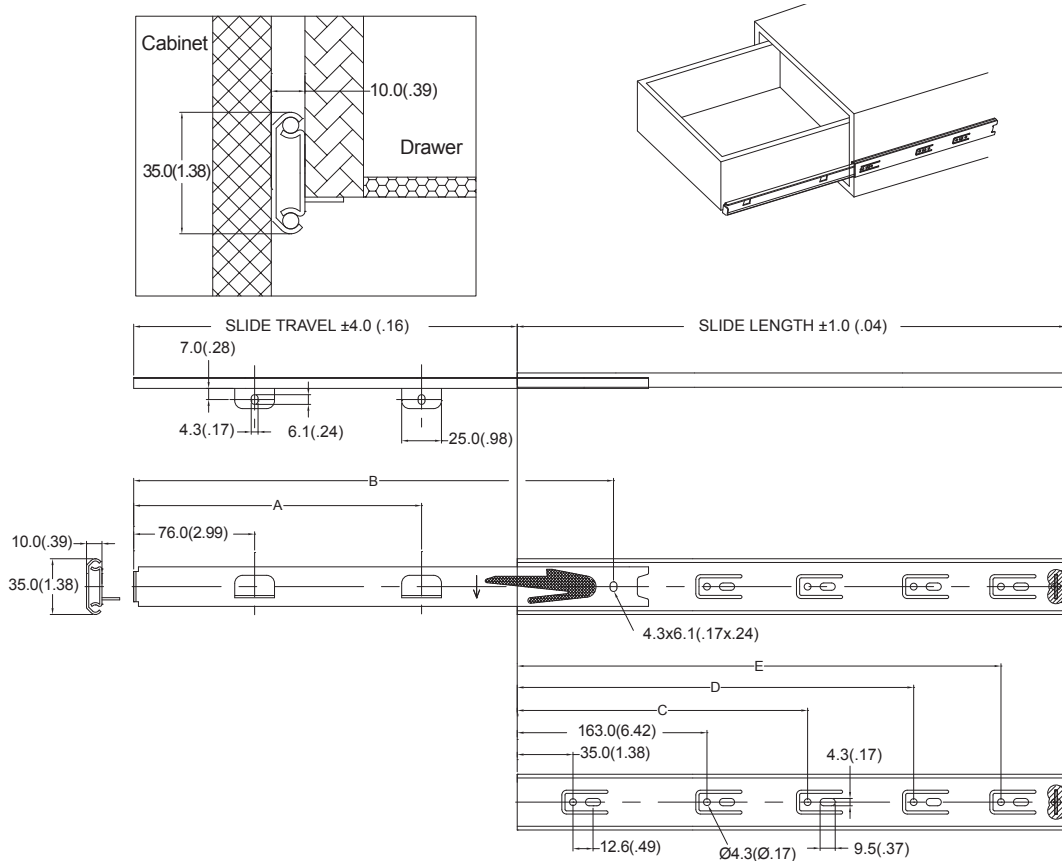
- Unit Packed in 20 pairs/carton
- Bulk Packed in
40 pcs/carton for cabinet member
80 pcs/carton for drawer member

Applications

- Home Cabinets, Box Drawers, Desk and Storage Drawers and File Drawers

Dimension Specifications

mm (inch)



Note: Holes other than those shown may be in the slide member at King Slide's option and may change without notice.

Item No.	Slide Length mm (inch)	Slide Travel mm (inch)	Loading Capacity kg (lb) / pair	Holes Position mm (inch)				
				A	B	C	D	E
3506-300	300.0 (11.81)	200.0 (7.87)	25.0 (55.0)	108.0 (4.25)	277.0 (10.91)	259.0 (10.20)	—	—
3506-350	350.0 (13.78)	250.0 (9.84)	25.0 (55.0)	159.0 (6.26)	327.0 (12.87)	291.0 (11.46)	—	—
3506-400	400.0 (15.75)	300.0 (11.81)	22.0 (50.0)	184.0 (7.24)	377.0 (14.84)	259.0 (10.20)	327.0 (12.87)	—
3506-450	450.0 (17.72)	350.0 (13.78)	22.0 (50.0)	210.0 (8.27)	427.0 (16.81)	259.0 (10.20)	387.0 (15.24)	—
3506-500	500.0 (19.69)	380.0 (14.96)	22.0 (50.0)	260.0 (10.24)	477.0 (18.78)	259.0 (10.20)	419.0 (16.50)	—
3506-550	550.0 (21.65)	420.0 (16.54)	20.0 (45.0)	311.0 (12.24)	527.0 (20.75)	259.0 (10.20)	355.0 (13.98)	483.0 (19.02)
3506-600	600.0 (23.62)	445.0 (17.52)	18.0 (40.0)	362.0 (14.25)	577.0 (22.72)	259.0 (10.20)	387.0 (15.24)	515.0 (20.28)
3506-650	650.0 (25.59)	475.0 (18.70)	18.0 (40.0)	362.0 (14.25)	577.0 (22.72)	259.0 (10.20)	387.0 (15.24)	579.0 (22.80)

King Slide reserves the right to alter specifications of all the products without notice. If the entity is different from the illustration, please refer to the entity.

3503

3/4 Extension Ball Bearing Slide -Bayonet Type



Specifications

- **Length:** 300mm to 650mm (12" to 26")
- **Profile:** 35mm x 10mm
- **Travel:** 3/4 Extension
- **Side Space:** 10mm (+0.5mm-0mm)
- **Height:** 35mm (1.38")
- **Max. Loading:** 25 kg (55 lb)
- **Mount:** Side Mount
- **Disconnect:** Bayonet Disconnect
- **Finish:** Clear Zinc or Black
- **Material:** Cold Rolled Steel

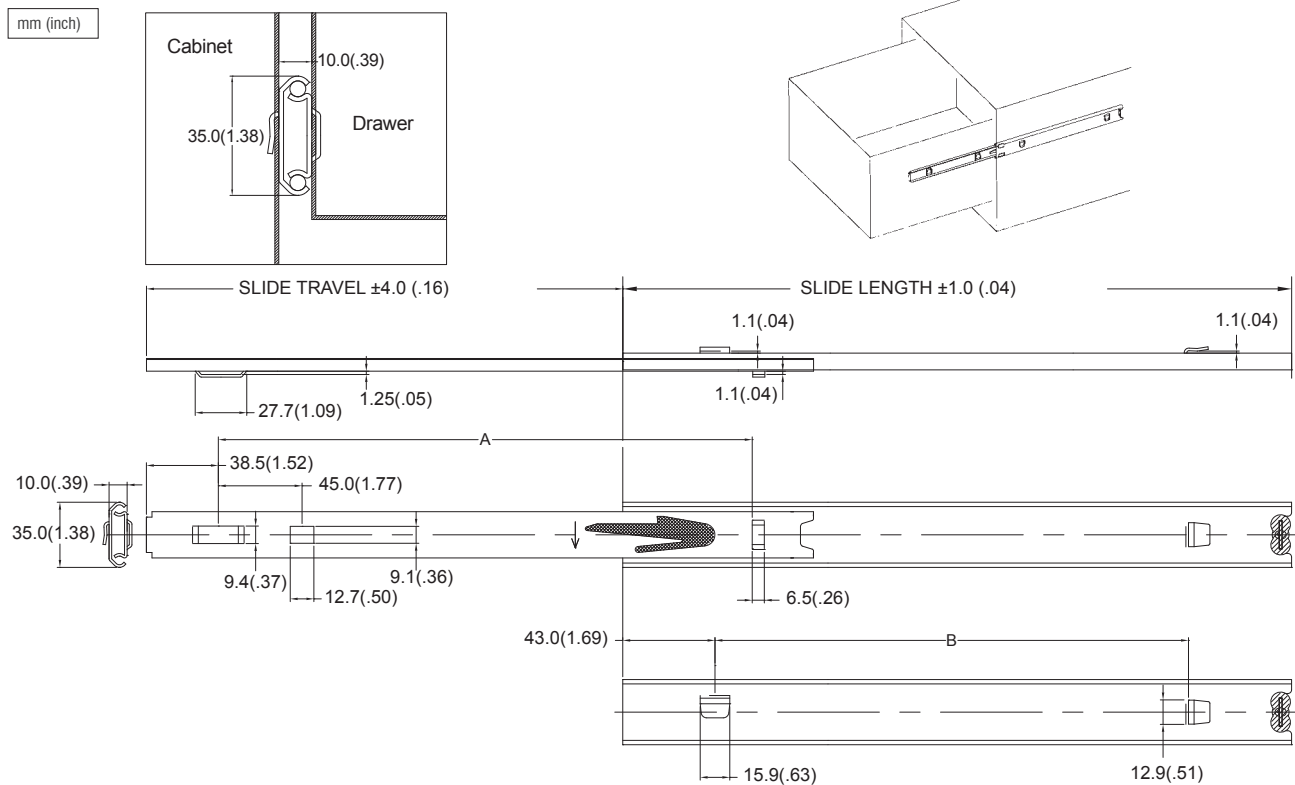
Packing

- Unit Packed in 20 pairs/ carton
- Bulk Pack in
40 pcs/carton for Cabinet Member
80 pcs/ carton for Drawer Member

Applications

- Home Cabinets, Box Drawers, Desk and Storage Drawers and File Drawers

Dimension Specifications



Note: Holes other than those shown may be in the slide member at King Slide's option and may change without notice.

Item No.	Slide Length mm (inch)	Slide Travel mm (inch)	Loading Capacity kg (lb) / pair	Holes Position mm (inch)	
				A	B
3503-300	300.0 (11.81)	200.0 (7.87)	25.0 (55.0)	230.0 (9.06)	210.0 (8.27)
3503-350	350.0 (13.78)	250.0 (9.84)	25.0 (55.0)	280.0 (11.02)	260.0 (10.24)
3503-400	400.0 (15.75)	300.0 (11.81)	22.0 (50.0)	330.0 (12.99)	310.0 (12.20)
3503-450	450.0 (17.72)	350.0 (13.78)	22.0 (50.0)	380.0 (14.96)	360.0 (14.17)
3503-500	500.0 (19.69)	380.0 (14.96)	22.0 (50.0)	410.0 (16.14)	410.0 (16.14)
3503-550	550.0 (21.65)	420.0 (16.54)	20.0 (45.0)	450.0 (17.72)	460.0 (18.11)
3503-600	600.0 (23.62)	445.0 (17.52)	18.0 (40.0)	475.0 (18.70)	460.0 (18.11)
3503-650	650.0 (25.59)	475.0 (18.70)	18.0 (40.0)	525.0 (20.67)	510.0 (20.08)

3602

3/4 Extension Ball Bearing Slide -Standard Type



Specifications

- **Length:** 300mm to 650mm (12" to 26")
- **Profile:** 35mm x 12.7mm
- **Travel:** 3/4 Extension
- **Side Space:** 12.7mm (+0.5mm-0mm)
- **Height:** 35mm (1.38")
- **Max. Loading:** 25 kg (55 lb)
- **Mount:** Side Mount
- **Disconnect:** Lever Disconnect
- **Finish:** Clear Zinc or Black
- **Material:** Cold Rolled Steel

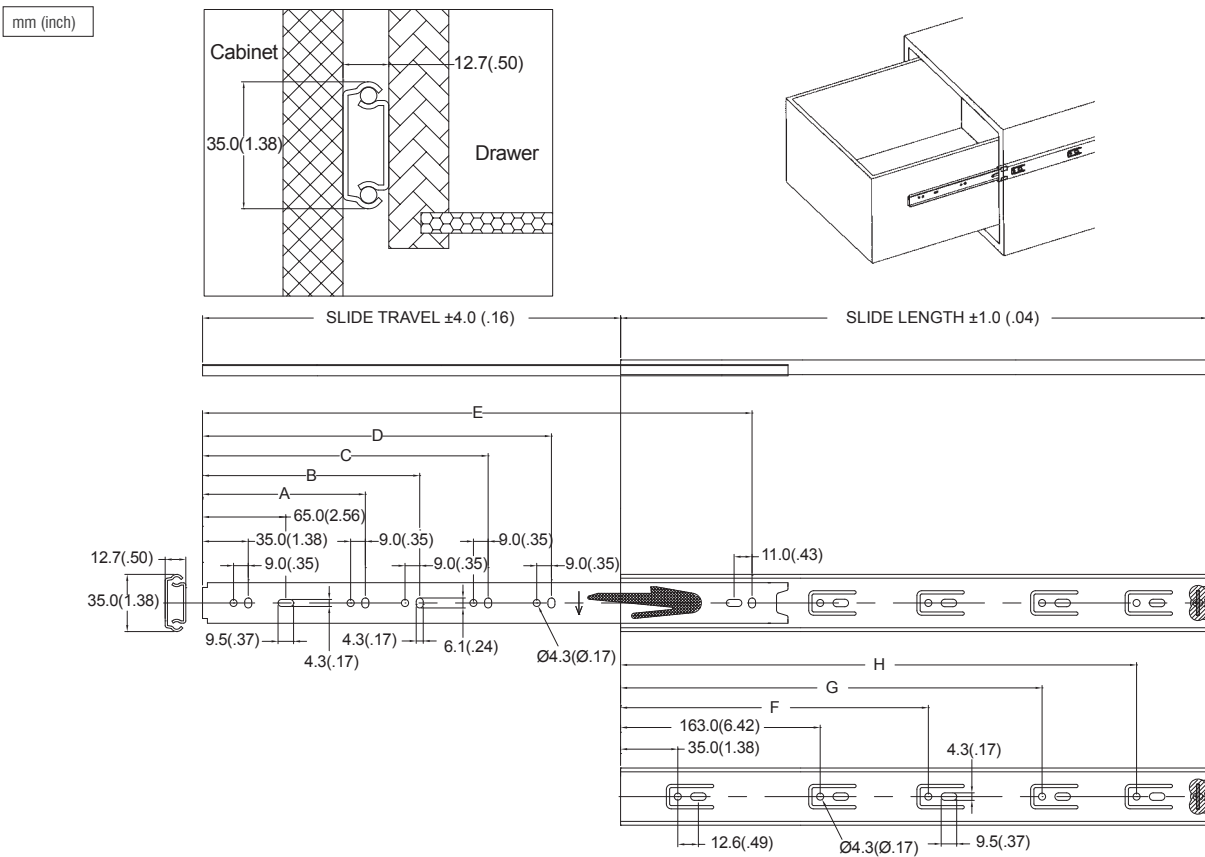
Packing

- Unit Packed in 20 pairs/carton
- Bulk Packed in 40 pcs/carton for cabinet member 80 pcs/carton for drawer member

Applications

- Home Cabinets, Box Drawers, Desk and Storage Drawers and File Drawers

Dimension Specifications



Note: Holes other than those shown may be in the slide member at King Slide's option and may change without notice.

Item No.	Slide Length mm (inch)	Slide Travel mm (inch)	Loading Capacity kg (lb) / pair	Holes Position mm (inch)							
				A	B	C	D	E	F	G	H
3602-300	300.0 (11.81)	200.0 (7.87)	25.0 (55.0)	131.0 (5.16)	—	277.0 (10.91)	—	—	259.0 (10.20)	—	—
3602-350	350.0 (13.78)	250.0 (9.84)	25.0 (55.0)	131.0 (5.16)	—	327.0 (12.87)	—	—	291.0 (11.46)	—	—
3602-400	400.0 (15.75)	300.0 (11.81)	22.0 (50.0)	131.0 (5.16)	—	277.0 (8.94)	377.0 (14.84)	—	259.0 (10.20)	323.0 (12.72)	—
3602-450	450.0 (17.72)	350.0 (13.78)	22.0 (50.0)	131.0 (5.16)	—	291.0 (11.46)	427.0 (16.81)	—	259.0 (10.20)	387.0 (15.24)	—
3602-500	500.0 (19.69)	380.0 (14.96)	22.0 (50.0)	131.0 (5.16)	—	259.0 (10.20)	323.0 (12.72)	477.0 (18.78)	259.0 (10.20)	419.0 (16.50)	—
3602-550	550.0 (21.65)	420.0 (16.54)	20.0 (45.0)	—	163.0 (6.42)	259.0 (10.20)	355.0 (13.98)	527.0 (20.75)	259.0 (10.20)	355.0 (13.98)	483.0 (19.02)
3602-600	600.0 (23.62)	445.0 (17.52)	18.0 (40.0)	—	163.0 (6.42)	259.0 (10.20)	355.0 (13.98)	577.0 (22.72)	259.0 (10.20)	387.0 (15.24)	515.0 (20.28)
3602-650	650.0 (25.59)	475.0 (18.70)	18.0 (40.0)	—	163.0 (6.42)	259.0 (10.20)	355.0 (13.98)	627.0 (24.69)	259.0 (10.20)	387.0 (15.24)	579.0 (22.80)

King Slide reserves the right to alter specifications of all the products without notice. If the entity is different from the illustration, please refer to the entity.

3524

3/4 Extension Ball Bearing Slide -Under Type



Specifications

- **Length:** 355mm to 457mm (14" to 18")
- **Profile:** 35mm x 9.7mm
- **Travel:** 3/4 Extension
- **Side Space:** 9.7mm (+0.5mm-0mm)
- **Height:** 35mm (1.38")
- **Max. Loading:** 15 kg (33 lb)
- **Mount:** Under Mount
- **Finish:** Clear Zinc or Black
- **Material:** Cold Rolled Steel

Packing

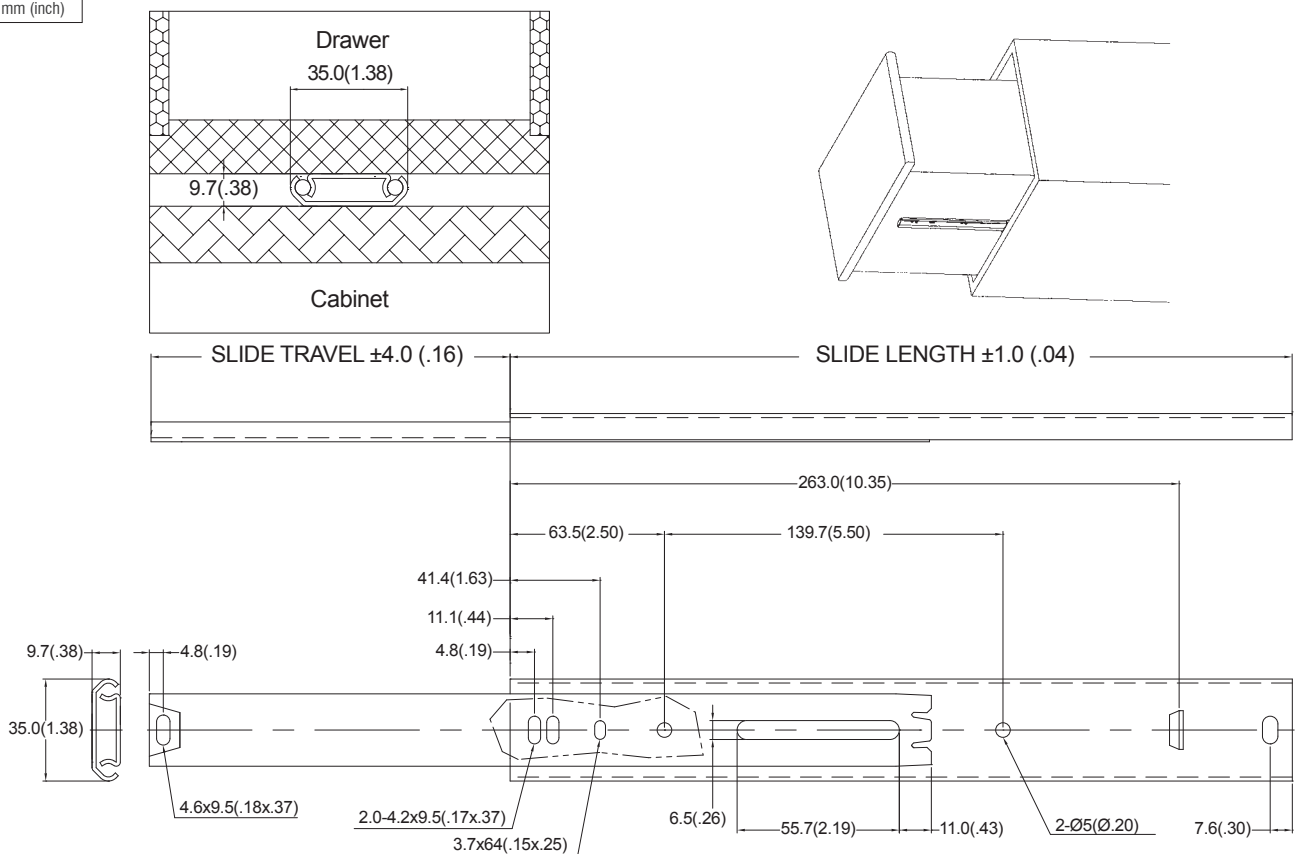
- Unit Packed in 40 pairs/ carton

Applications

- Home Cabinets, Box Drawers, Showcase

Dimension Specifications

mm (inch)



Note: Holes other than those shown may be in the slide member at King Slide's option and may change without notice.

Item No.	Slide Length mm (inch)	Slide Travel mm (inch)	Loading Capacity kg (lb) / pair
3524-355	355.0 (13.97)	245.0 (9.65)	13.0 (28.0)
3524-406	406.0 (15.98)	261.0 (10.28)	13.0 (28.0)
3524-457	457.0 (18.00)	315.0 (12.40)	15.0 (33.0)

3515

3/4 Extension Ball Bearing Slide - Under Shelf or Counter Pencil Slide with Quick Disconnect



Specifications

- **Length:** 350mm to 450mm (14" to 18")
- **Profile:** 50.3mm x 14.7mm
- **Travel:** 3/4 Extension
- **Side Space:** 14.7mm (+0.5mm-0mm)
- **Height:** 50.3mm (1.98")
- **Max. Loading:** 22 kg (50 lb)
- **Mount:** Side Mount
- **Disconnect:** Quick Disconnect
- **Finish:** Clear Zinc or Black
- **Material:** Cold Rolled Steel

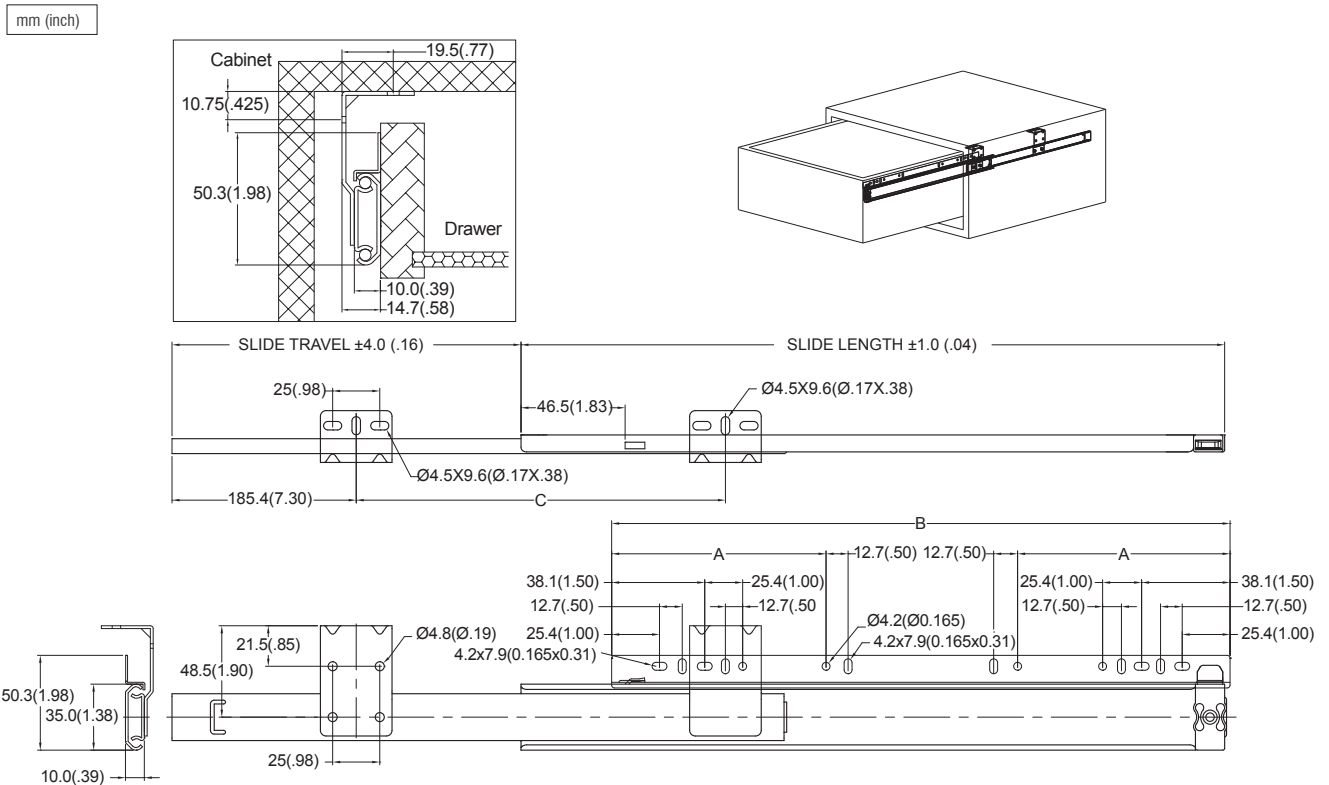
Packing

- Unit Packed in 15 pairs/carton
- Bulk Packed in 30 pcs/carton

Applications

- Keyboard and Drawers

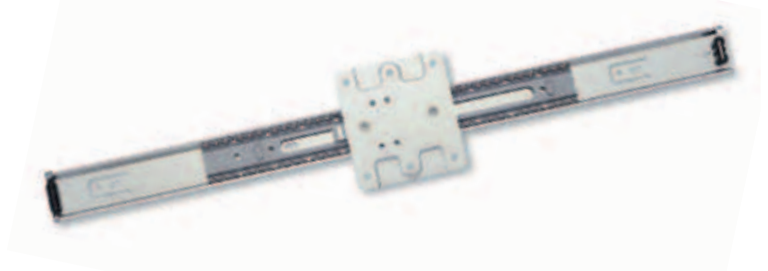
Dimension Specifications



Note: Holes other than those shown may be in the slide member at King Slide's option and may change without notice.

Item No.	Slide Length mm (inch)	Slide Travel mm (inch)	Loading Capacity kg (lb) / pair	Holes Position mm (inch)		
				A	B	C
3515-350	350.0 (13.78)	255.0 (10.04)	22.0 (50.0)	76.2 (3.00)	279.4 (11.00)	116.0 (4.57)
3515-400	400.0 (15.75)	305.0 (12.01)	22.0 (50.0)	76.2 (3.00)	279.4 (11.00)	166.0 (6.54)
3515-450	450.0 (17.72)	355.0 (13.98)	22.0 (50.0)	101.6 (4.00)	406.4 (16.00)	216.0 (8.50)

3516 Flipper Door Slide



Specifications

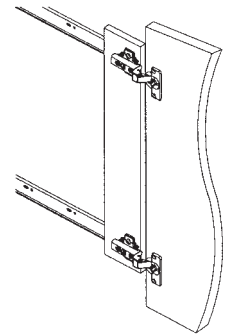
- **Length:** 300mm to 700mm (12" to 28")
- **Profile:** 35mm x 9.7mm
- **Max. Loading Weight:** 7-10 kg
- **Max. Door Height:** 900mm
- **Finish:** Clear Zinc or Black
- **Material:** Cold Rolled Steel

Packing

- Unit Packed in 10 pairs/carton
- Bulk Packed in
14 pcs/carton for left member
14 pcs/carton for right member

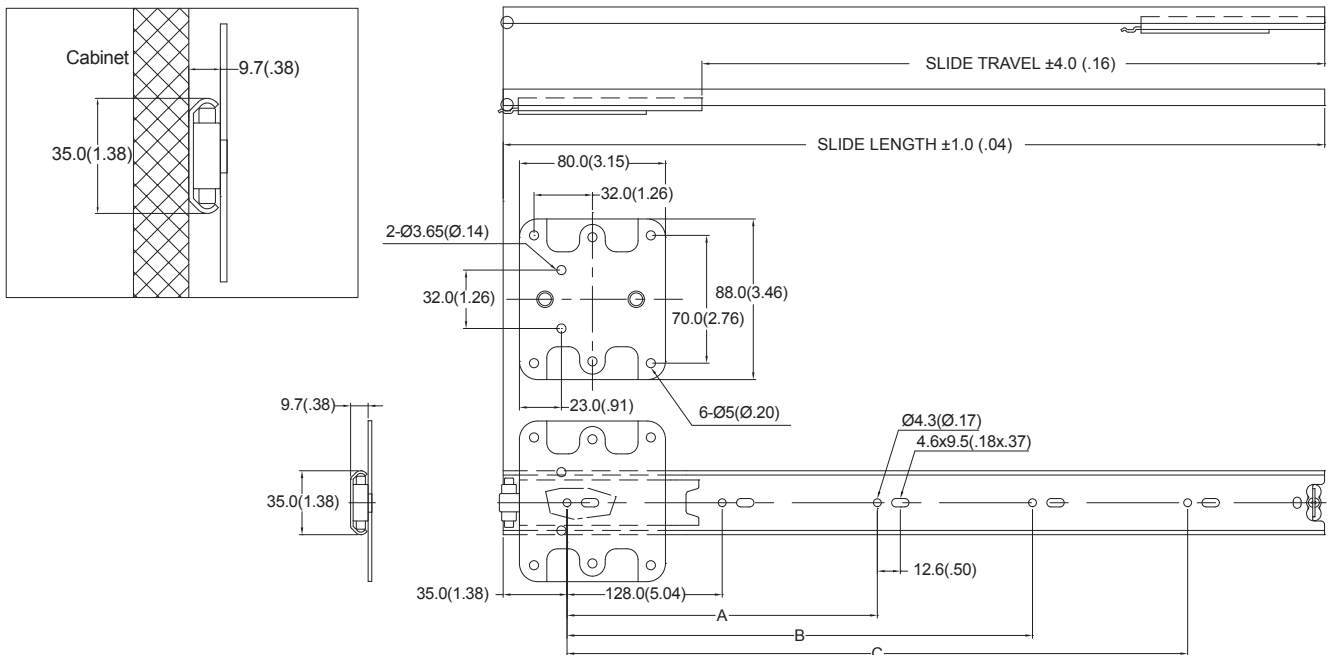
Applications

- Entertainment Centers, Home and Office Storage Cabinet



Dimension Specifications

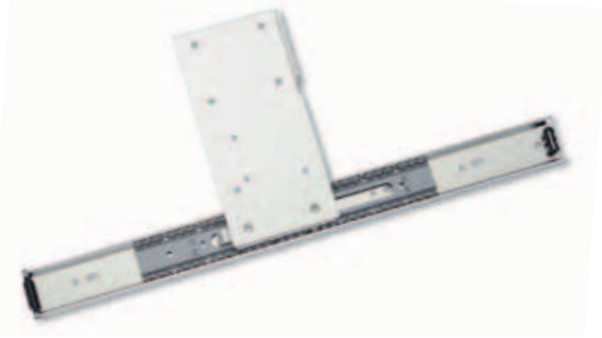
mm (inch)



Note: Holes other than those shown may be in the slide member at King Slide's option and may change without notice.

Item No.	Slide Length mm (inch)	Slide Travel mm (inch)	Holes Position mm (inch)		
			A	B	C
3516-300	300.0 (11.81)	217.0 (8.54)	—	—	224.0 (8.82)
3516-350	350.0 (13.78)	267.0 (10.51)	—	—	256.0 (10.08)
3516-400	400.0 (15.75)	317.0 (12.48)	224.0 (8.82)	—	292.0 (11.50)
3516-450	450.0 (17.72)	342.0 (13.46)	224.0 (8.82)	—	352.0 (13.86)
3516-500	500.0 (19.69)	392.0 (15.43)	224.0 (8.82)	—	384.0 (15.12)
3516-550	550.0 (21.65)	442.0 (17.40)	224.0 (8.82)	320.0 (12.60)	448.0 (17.64)
3516-600	600.0 (23.62)	492.0 (19.37)	224.0 (8.82)	352.0 (13.86)	480.0 (18.90)
3516-700	700.0 (27.56)	592.0 (23.31)	224.0 (8.82)	352.0 (13.86)	544.0 (21.42)

3517 Flipper Door Slide -P Type



Specifications

- **Length:** 300mm to 700mm (12" to 28")
- **Profile:** 35mm x 9.7mm
- **Max. Loading Weight:** 7-13kg
- **Max. Door Height:** 1000mm
- **Finish:** Clear Zinc or Black
- **Material:** Cold Rolled Steel

Packing

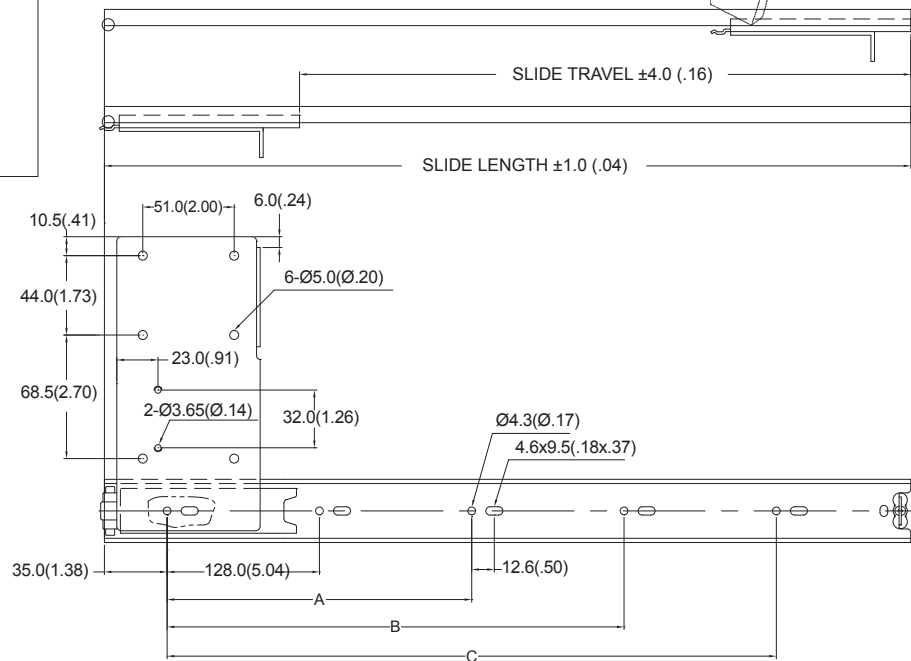
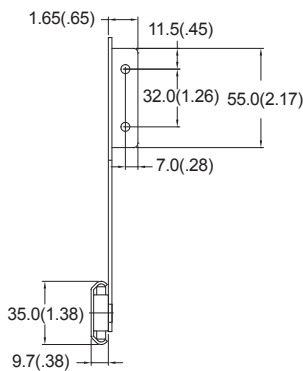
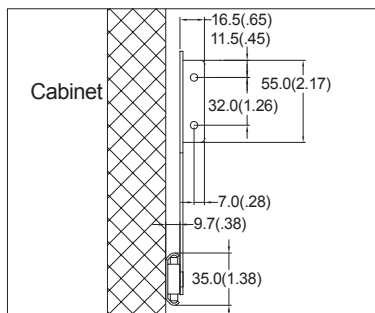
- Unit Packed in 10 pairs/ carton
- Bulk Packed in
14 pcs/carton for left member
14 pcs/carton for right member

Applications

- Entertainment Centers, Home and Office Storage Cabinet

Dimension Specifications

mm (inch)



Note: Holes other than those shown may be in the slide member at King Slide's option and may change without notice.

Item No.	Slide Length mm (inch)	Slide Travel mm (inch)	Holes Position mm (inch)		
			A	B	C
3517-300	300.0 (11.81)	217.0 (8.54)	—	—	224.0 (8.82)
3517-350	350.0 (13.78)	267.0 (10.51)	—	—	256.0 (10.08)
3517-400	400.0 (15.75)	317.0 (12.48)	224.0 (8.82)	—	292.0 (11.50)
3517-450	450.0 (17.72)	342.0 (13.46)	224.0 (8.82)	—	352.0 (13.86)
3517-500	500.0 (19.69)	392.0 (15.43)	224.0 (8.82)	—	384.0 (15.12)
3517-550	550.0 (21.65)	442.0 (17.40)	224.0 (8.82)	320.0 (12.60)	448.0 (17.64)
3517-600	600.0 (23.62)	492.0 (19.37)	224.0 (8.82)	352.0 (13.86)	480.0 (18.90)
3517-700	700.0 (27.56)	592.0 (23.31)	224.0 (8.82)	352.0 (13.86)	544.0 (21.42)

3218

27mm, 3/4 Extension
Ball Bearing Slides
-One Way Travel



Specifications

- **Length:** 300mm to 380mm (12" to 15")
- **Profile:** 27mm x 9.7mm
- **Travel:** 3/4 Extension
- **Side Space:** 9.7mm (+0.5mm-0mm)
- **Height:** 27mm (1.06")
- **Max. Loading:** 15 kg (33 lb)
- **Mount:** Bottom Mount
- **Disconnect:** Non-Disconnect
- **Finish:** Clear Zinc or Black
- **Material:** Cold Rolled Steel

Packing

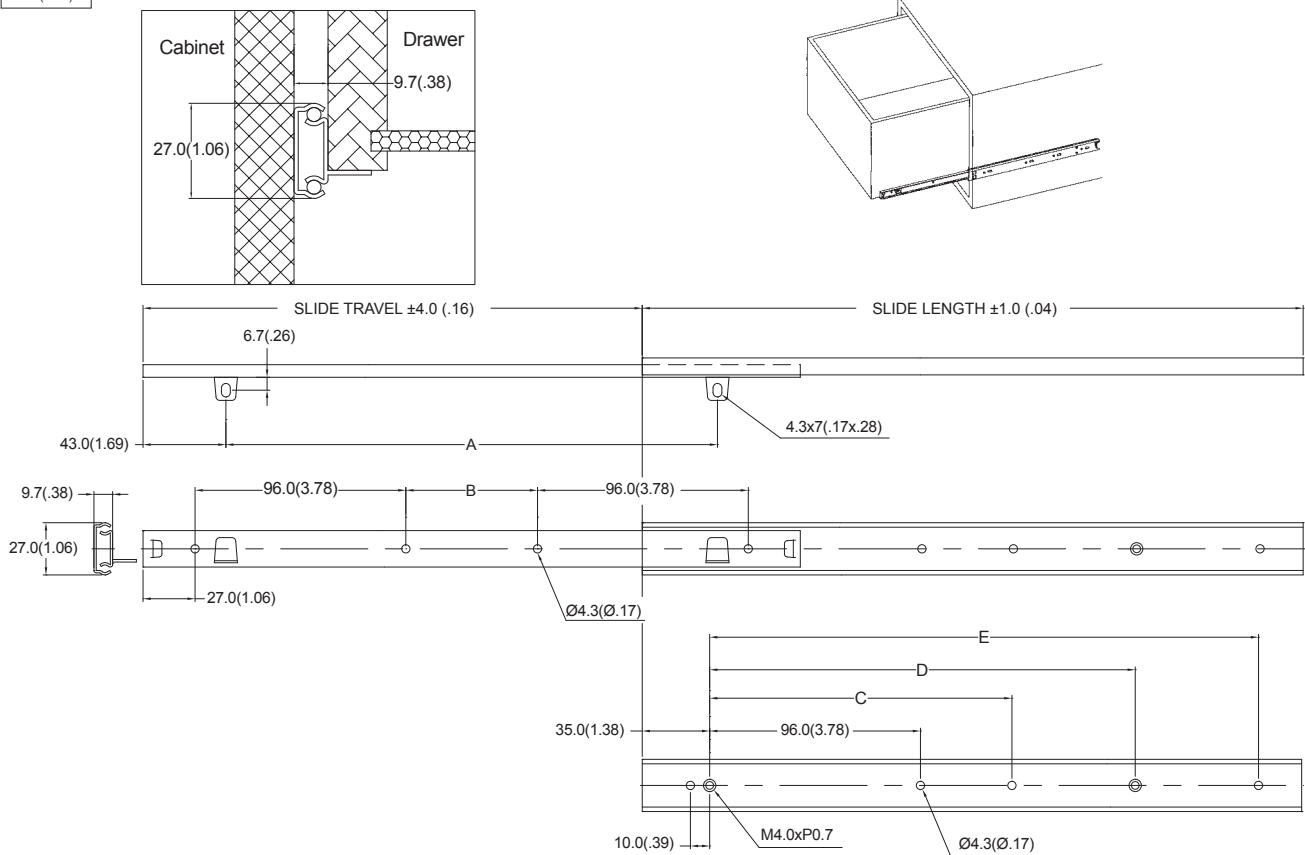
- Unit Packed in 40 pairs/carton
- Bulk Packed in 80 pairs/carton

Applications

- Keyboard and Pencil Drawers

Dimension Specifications

mm (inch)



Note: Holes other than those shown may be in the slide member at King Slide's option and may change without notice.

Item No.	Slide Length mm (inch)	Slide Travel mm (inch)	Loading Capacity kg (lb) / pair	Holes Position mm (inch)				
				A	B	C	D	E
3218-300	300.0 (11.81)	211.0 (8.31)	15.0 (33.0)	213.0 (8.39)	53.0 (2.09)	—	192.0 (7.56)	224.0 (8.82)
3218-350	350.0 (13.78)	261.0 (10.28)	12.0 (26.0)	263.0 (10.35)	103.0 (4.06)	192.0 (7.56)	256.0 (10.08)	288.0 (11.34)
3218-380	380.0 (14.96)	291.0 (11.46)	10.0 (22.0)	293.0 (11.54)	133.0 (5.24)	192.0 (7.56)	256.0 (10.08)	288.0 (11.34)

3220

27mm, 3/4 Extension
Ball Bearing Slides
-Two Way Travel



Specifications

- **Length:** 317mm to 381mm (12" to 15")
- **Profile:** 27mm x 9.7mm
- **Travel:** 3/4 Extension
- **Side Space:** 9.7mm (+0.5mm-0mm)
- **Height:** 27mm (1.06")
- **Max. Loading:** 15 kg (33 lb)
- **Mount:** Bottom Mount
- **Disconnect:** Bayonet Non-Disconnect
- **Finish:** Clear Zinc or Black
- **Material:** Cold Rolled Steel
- **Features:** Two Way Travel

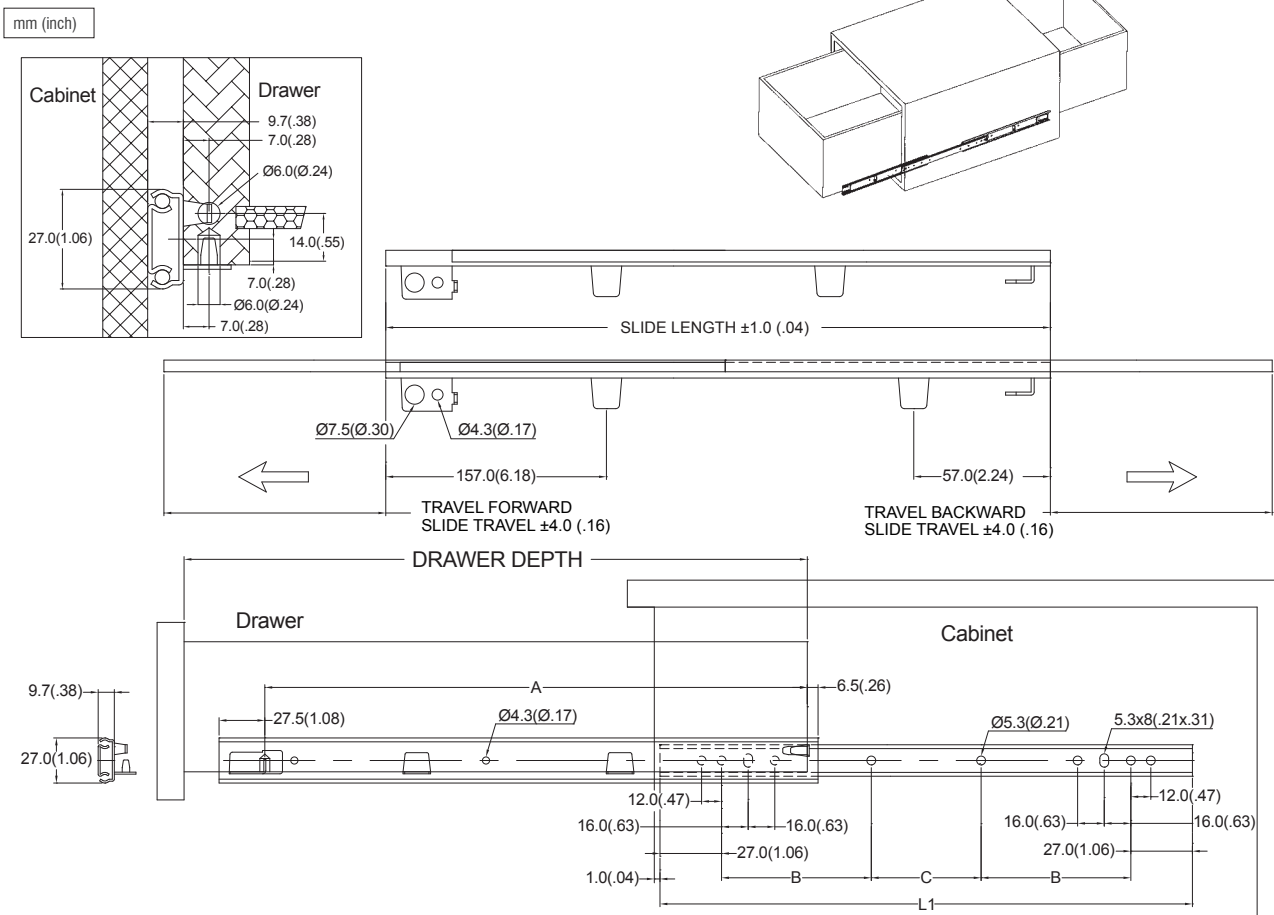
Packing

- Unit Packed in 40 pairs/carton
- Bulk Packed in 80 pairs/carton

Applications

- Keyboard and Pencil Drawers, Office Drawers and Showcases

Dimension Specifications



Note: Holes other than those shown may be in the slide member at King Slide's option and may change without notice.

Item No.	Slide Length mm (inch)	Slide Travel mm (inch)	Drawer Depth mm (inch)	Loading Capacity kg (lb) / pair	Holes Position mm (inch)			
					L1	A	B	C
3220-317	317.0 (12.48)	223.0 (8.78)	310.0–457.0 (12.20–17.99)	15.0 (33.0)	278.0 (10.94)	283.0 (11.14)	64.0 (2.52)	96.0 (3.78)
3220-349	349.0 (13.74)	255.0 (10.04)	342.0–521.0 (13.46–20.51)	12.0 (26.0)	310.0 (12.20)	315.0 (12.40)	96.0 (3.78)	64.0 (2.52)
3220-381	381.0 (15.00)	287.0 (11.30)	374.0–585.0 (14.72–23.03)	10.0 (22.0)	342.0 (13.46)	347.0 (13.66)	96.0 (3.78)	96.0 (3.78)

3230

27mm, 3/4 Extension Ball Bearing Slides -with Soft Outstop



Specifications

- **Length:** 300mm to 380mm (12" to 15")
- **Profile:** 27mm x 9.7mm
- **Travel:** 3/4 Extension
- **Side Space:** 9.7mm (+0.5mm-0mm)
- **Height:** 27mm (1.06")
- **Max. Loading:** 15 kg (33 lb)
- **Mount:** Side Mount
- **Disconnect:** Clip Disconnect
- **Finish:** Clear Zinc or Black
- **Material:** Cold Rolled Steel
- **Features:** Soft Outstop

Packing

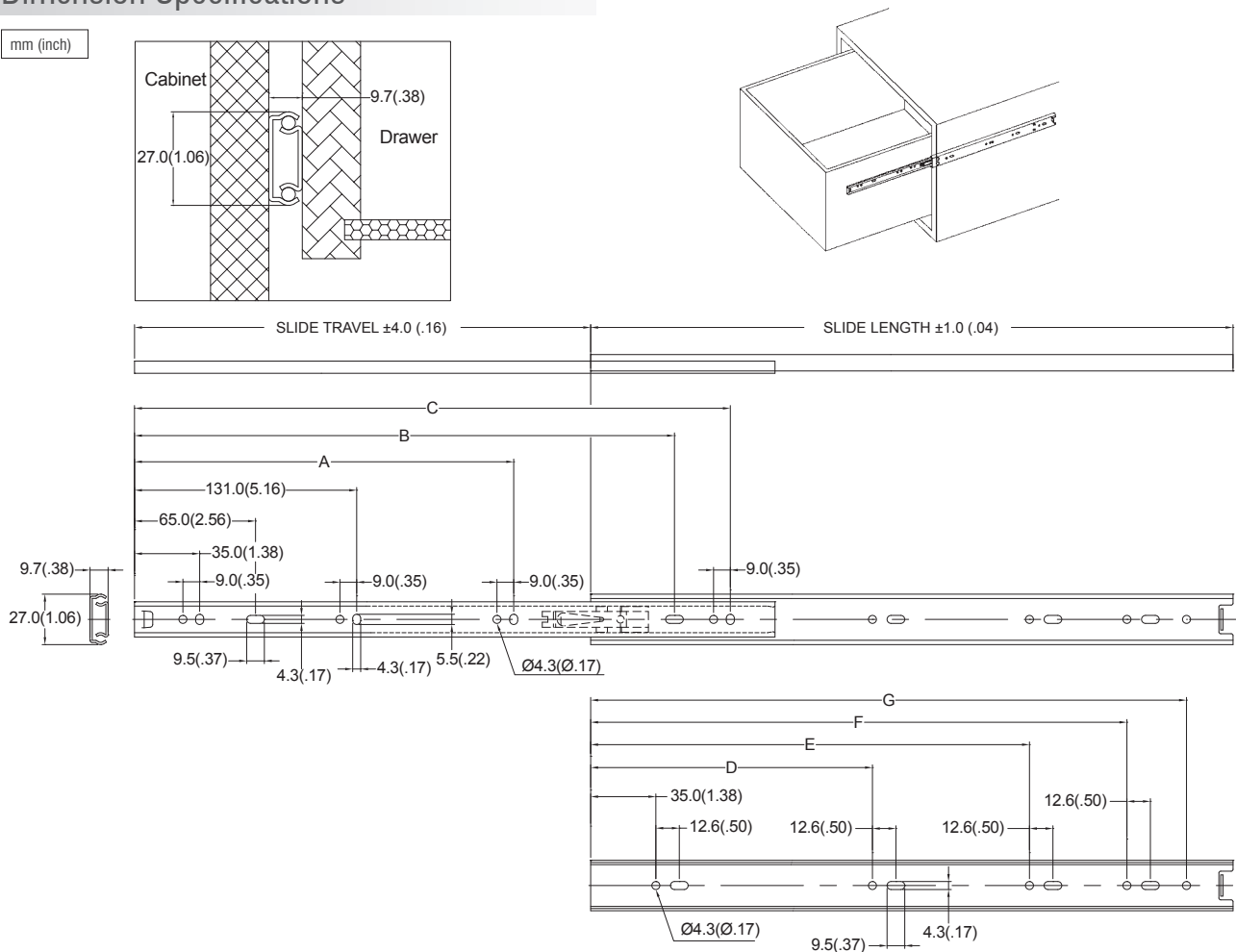
- Unit Packed in 40 pairs/carton
- Bulk Packed in 80 pcs/carton

Applications

- Keyboard and Pencil Drawers

Dimension Specifications

mm (inch)



Note: Holes other than those shown may be in the slide member at King Slide's option and may change without notice.

Item No.	Slide Length mm (inch)	Slide Travel mm (inch)	Loading Capacity kg (lb) / pair	Holes Position mm (inch)						
				A	B	C	D	E	F	G
3230-300	300.0 (11.81)	200.0 (7.87)	15.0 (33.0)	163.0 (6.42)	259.0 (10.20)	291.0 (11.46)	131.0 (5.16)	195.0 (7.68)	259.0 (10.20)	—
3230-350	350.0 (13.78)	250.0 (9.84)	12.0 (26.0)	195.0 (7.68)	293.0 (11.54)	323.0 (12.72)	163.0 (6.42)	259.0 (10.20)	310.0 (12.20)	—
3230-380	380.0 (14.96)	280.0 (11.02)	10.0 (22.0)	227.0 (8.94)	325.0 (12.80)	355.0 (13.98)	163.0 (6.42)	259.0 (10.20)	323.0 (12.72)	355.0 (13.98)

3232

27mm, 3/4 Extension
Ball Bearing Slides
-with Soft Outstop



4

Ball Bearing Slides

Specifications

- **Length:** 300mm to 380mm (12" to 15")
- **Profile:** 27mm x 9.7mm
- **Travel:** 3/4 Extension
- **Side Space:** 9.7mm (+0.5mm-0mm)
- **Height:** 27mm (1.06")
- **Max. Loading:** 15 kg (33 lb)
- **Mount:** Bottom Mount
- **Disconnect:** Clip Disconnect
- **Finish:** Clear Zinc or Black
- **Material:** Cold Rolled Steel
- **Features:** Soft Outstop

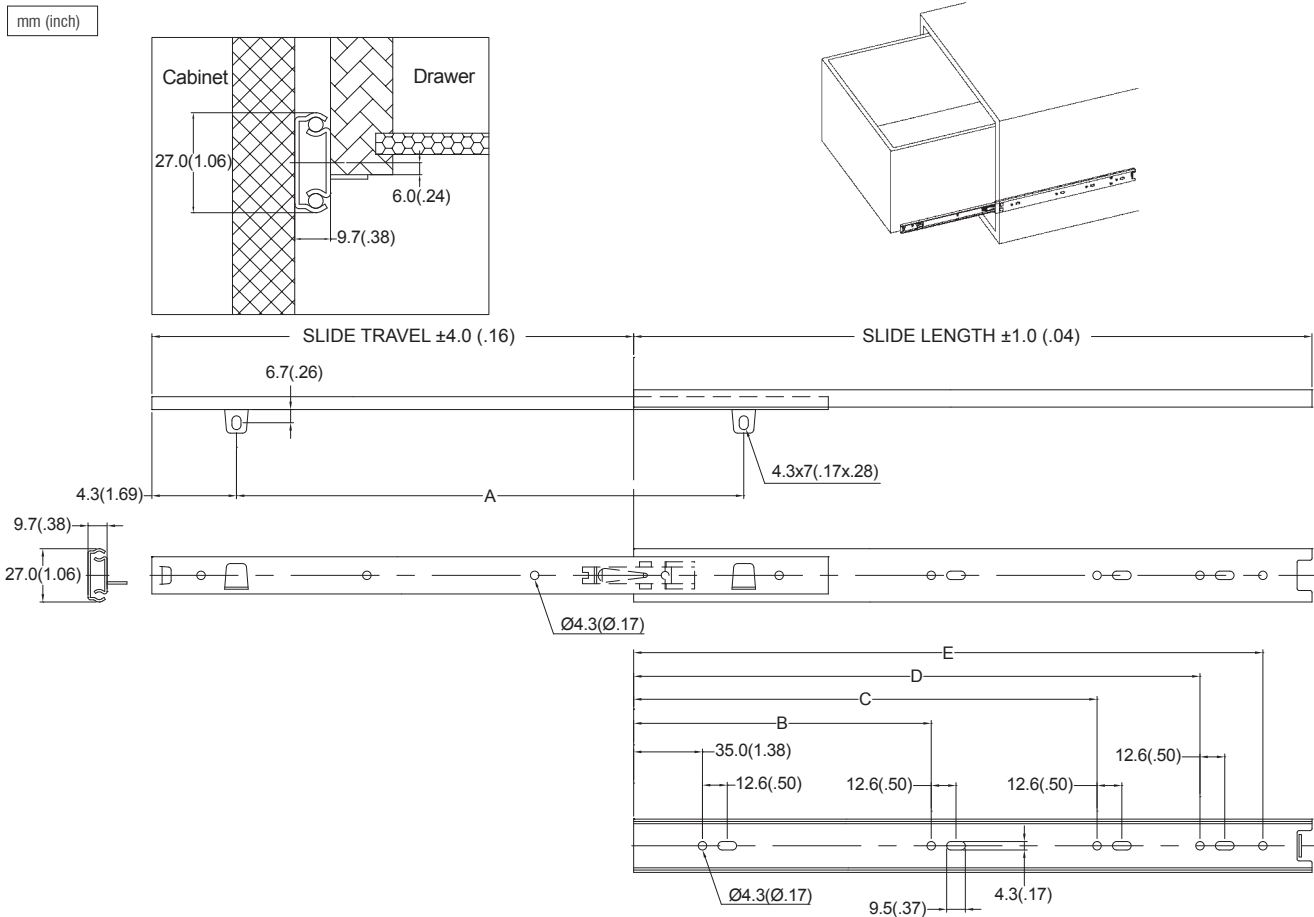
Packing

- Unit Packed in 40 pairs/carton

Applications

- Keyboard and Pencil Drawers

Dimension Specifications



Note: Holes other than those shown may be in the slide member at King Slide's option and may change without notice.

Item No.	Slide Length mm (inch)	Slide Travel mm (inch)	Loading Capacity kg (lb) / pair	Holes Position mm (inch)				
				A	B	C	D	E
3232-300	300.0 (11.81)	200.0 (7.87)	15.0 (33.0)	213.0 (8.39)	131.0 (5.16)	195 (7.68)	259.0 (10.20)	—
3232-350	350.0 (13.78)	250.0 (9.84)	12.0 (26.0)	263.0 (10.35)	163.0 (6.42)	259.0 (10.20)	310.0 (12.20)	—
3232-380	380.0 (14.96)	280.0 (11.02)	10.0 (22.0)	293.0 (11.54)	163.0 (6.42)	259.0 (10.20)	323.0 (12.72)	355.0 (13.98)

3231 3/4 Extension Ball Bearing Slides Under Shelf or Under Counter Slide



Specifications

- **Length:** 350mm to 400mm (14" to 16")
- **Profile:** 27mm x 12mm
- **Travel:** 3/4 Extension
- **Side Space:** 12.0mm (Inboard Mounting)
36.7mm (Outboard Mounting)
- **Height:** 27mm (1.06")
- **Max. Loading:** 11 kg (25 lb)
- **Mount:** Under Shelf for Cabinet Member
Side Mount for Drawer Member
- **Disconnect:** Clip Disconnect
- **Finish:** Clear Zinc or Black
- **Material:** Cold Rolled Steel
- **Features:** Soft Outstop

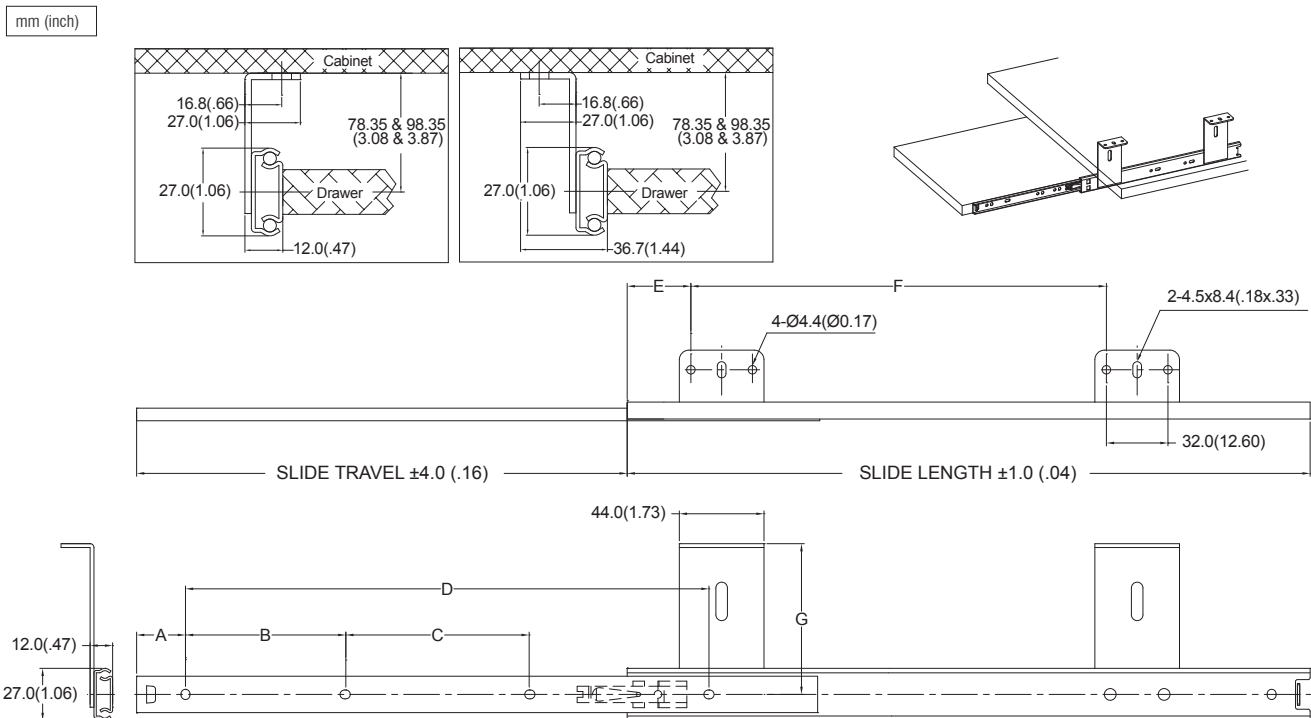
Packing

- Unit Packed in 15 pairs/carton
- Bulk Packed in 30 pcs/carton

Applications

- Keyboard and Pencil Drawers

Dimension Specifications



Note: Holes other than those shown may be in the slide member at King Slide's option and may change without notice.

Item No.	Slide Length mm (inch)	Slide Travel mm (inch)	Loading Capacity kg (lb) / pair	Holes Position mm (inch)						
				A	B	C	D	E	F	G
3231-350C	350.0 (13.78)	242.0 (9.53)	11.0 (25.0)	25.4 (1.00)	128.0 (5.04)	—	256.0 (10.08)	25.1 (0.99)	224.0 (8.82)	78.4 (3.08)
3231-350D	350.0 (13.78)	242.0 (9.53)	11.0 (25.0)	25.4 (1.00)	128.0 (5.04)	—	256.0 (10.08)	89.1 (3.86)	160.0 (6.30)	98.4 (3.87)
3231-400A	400.0 (15.75)	300.0 (11.81)	9.0 (20.0)	25.4 (1.00)	128.0 (5.04)	96.0 (3.78)	313.9 (12.36)	25.1 (0.99)	224.0 (8.82)	78.4 (3.08)
3231-400B	400.0 (15.75)	300.0 (11.81)	9.0 (20.0)	25.4 (1.00)	128.0 (5.04)	96.0 (3.78)	313.9 (12.36)	25.1 (0.99)	224.0 (8.82)	98.4 (3.87)

Note
3231-350C: Outboard Mounting Bracket (Height 85mm) **3231-350D:** Outboard Mounting Bracket (Height 105mm)
3231-400A: Inboard Mounting Bracket (Height 85mm) **3231-400B:** Inboard Mounting Bracket (Height 105mm)

3233 3/4 Extension Ball Bearing Slides Under Shelf or Under Counter Slide



Specifications

- **Length:** 350mm to 380mm (14" to 15")
- **Profile:** 27mm x 12mm
- **Travel:** 3/4 Extension
- **Side Space:** 12.0mm (Inboard Mounting)
36.7mm (Outboard Mounting)
- **Height:** 27mm (1.06")
- **Max. Loading:** 11 kg (25 lb)
- **Mount:** Under Shelf for Cabinet Member
Side Mount for Drawer Member
- **Disconnect:** Clip Disconnect
- **Finish:** Clear Zinc or Black
- **Material:** Cold Rolled Steel
- **Features:** Soft Outstop

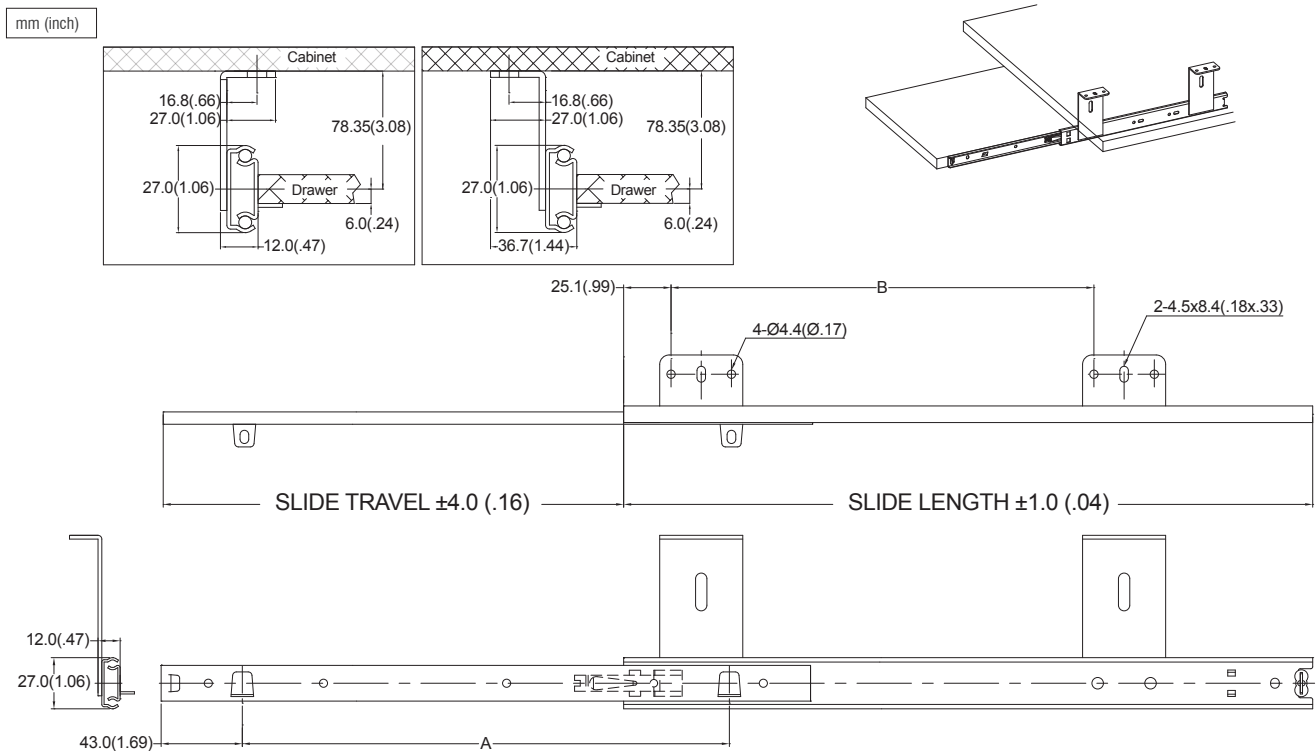
Packing

- Unit Packed in 15 pairs/carton
- Bulk Packed in 30 pcs/carton

Applications

- Keyboard and Pencil Drawers

Dimension Specifications



Note: Holes other than those shown may be in the slide member at King Slide's option and may change without notice.

Item No.	Slide Length mm (inch)	Slide Travel mm (inch)	Loading Capacity kg (lb) / pair	Holes Position mm (inch)	
				A	B
3233-350S	350.0 (13.78)	200.0 (7.87)	11.0 (25.0)	263.0 (10.35)	224.0 (8.82)
3233-380C	380.0 (14.96)	280.0 (11.02)	10.0 (22.0)	293.0 (11.54)	204.0 (8.03)
3233-380E	380.0 (14.96)	280.0 (11.02)	10.0 (22.0)	150.0 (5.91)	204.0 (8.03)

Note
3233-350S: Standard
3231-380C: Outboard Mounting Bracket (Height 85mm)
3231-380E: Inboard Mounting Bracket (Height 85mm)

King Slide reserves the right to alter specifications of all the products without notice. If the entity is different from the illustration, please refer to the entity.

3J01A

Ball Bearing Slide with Toolless Adjustable Detent Pulling Force



Specifications

- **Length:** 250mm to 700mm (9.8" to 27.5")
- **Profile:** 37mm x 12.7mm
- **Travel:** Full Extension
- **Side Space:** 12.7mm (+0.5mm-0mm)
- **Height:** 37.2mm (1.46")
- **Max. Loading:** 34.5 kg (75 lb)/pair
- **Mount:** Side Mount
- **Disconnect:** Clip Disconnect
- **Finish:** Clear Zinc or Black
- **Material:** Cold Rolled Steel
- **Features:** Toolless Adjustable Detent Pulling Force

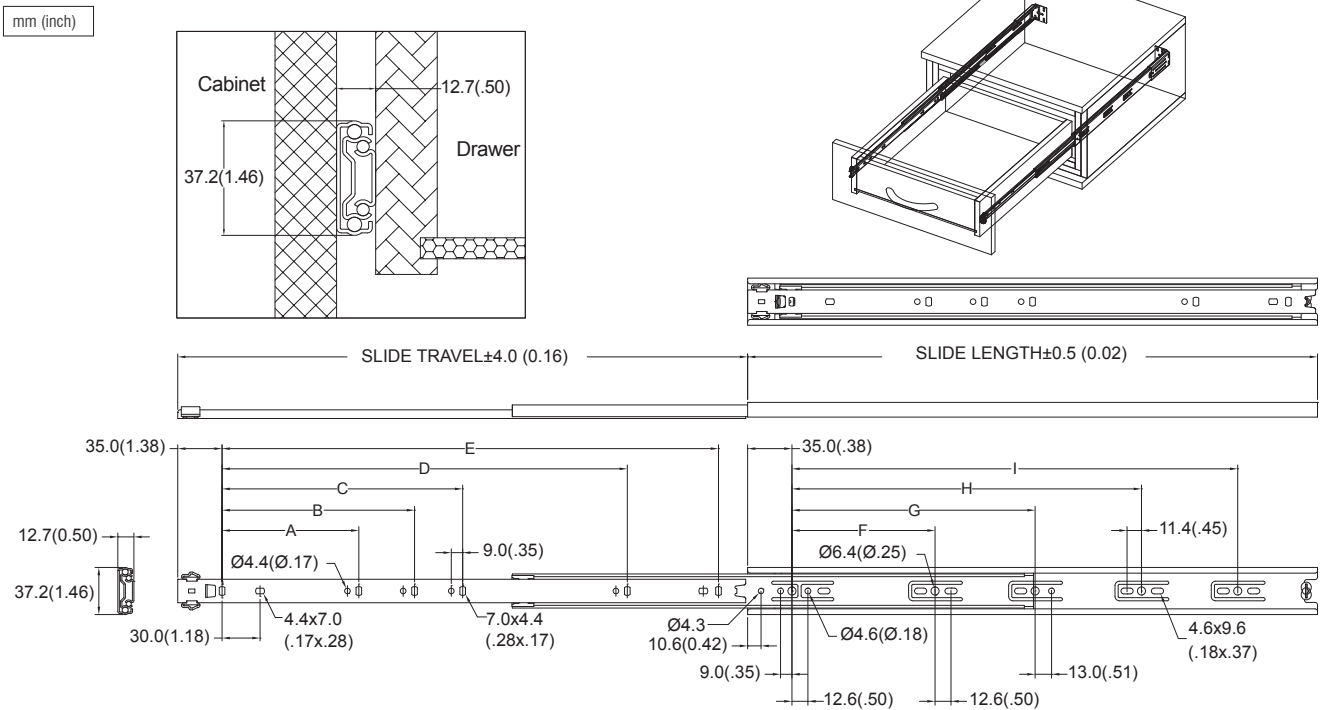
Packing

- Unit Packed in 16 pairs/carton
- Bulk Packed in 40 pcs/carton for cabinet member 100 pcs/carton for drawer member

Applications

- For Face Frame or Frameless Cabinet: Recreational Vehicle, Yacht Furniture, Medical Equipment, Office Furniture and Box Drawers

Dimension Specifications



Note: Holes other than those shown may be in the slide member at King Slide's option and may change without notice.

Item No.	Slide Length mm (inch)	Slide Travel mm (inch)	Loading Capacity kg (lb) / pair	Holes Position mm (inch)								
				A	B	C	D	E	F	G	H	I
3J01A250	250.0 (9.84)	230.0 (9.06)	17.5 (38.0)	—	—	—	—	192.0 (7.56)	160.0 (6.30)	—	—	—
3J01A300	300.0 (11.81)	300.0 (11.81)	20.7 (45.0)	128.0 (5.04)	—	—	—	242.0 (9.53)	128.0 (5.04)	224.0 (8.82)	—	—
3J01A350	350.0 (13.78)	350.0 (13.78)	25.7 (56.0)	128.0 (5.04)	—	—	—	292.0 (11.50)	128.0 (5.04)	224.0 (8.82)	—	—
3J01A400	400.0 (15.75)	400.0 (15.75)	34.5 (75.0)	128.0 (5.04)	—	320.0 (12.60)	—	342.0 (13.46)	128.0 (5.04)	224.0 (8.82)	320.0 (12.60)	—
3J01A450	450.0 (17.72)	450.0 (17.72)	34.5 (75.0)	128.0 (5.04)	—	320.0 (12.60)	—	392.0 (15.43)	128.0 (5.04)	224.0 (8.82)	352.0 (13.86)	—
3J01A500	500.0 (19.69)	500.0 (19.69)	34.5 (75.0)	128.0 (5.04)	—	320.0 (12.60)	416.0 (16.38)	442.0 (17.40)	128.0 (5.04)	224.0 (8.82)	416.0 (16.38)	—
3J01A550	550.0 (21.65)	550.0 (21.65)	34.5 (75.0)	128.0 (5.04)	224.0 (8.82)	—	416.0 (16.38)	492.0 (19.37)	128.0 (5.04)	224.0 (8.82)	352.0 (13.86)	448.0 (17.64)
3J01A600	600.0 (23.62)	600.0 (23.62)	29.5 (64.0)	128.0 (5.04)	224.0 (8.82)	416.0 (16.38)	—	542.0 (21.34)	128.0 (5.04)	224.0 (8.82)	352.0 (13.86)	480.0 (18.90)
3J01A650	650.0 (25.59)	650.0 (25.59)	24.4 (53.0)	128.0 (5.04)	224.0 (8.82)	416.0 (16.38)	544.0 (21.42)	592.0 (23.31)	128.0 (5.04)	224.0 (8.82)	352.0 (13.86)	544.0 (21.42)
3J01A700	700.0 (27.56)	700.0 (27.56)	23.0 (50.0)	128.0 (5.04)	224.0 (8.82)	416.0 (16.38)	544.0 (21.42)	642.0 (25.28)	128.0 (5.04)	224.0 (8.82)	352.0 (13.86)	544.0 (21.42)

3J01B Ball Bearing Slide with 10 lbs Detent Force



Specifications

- **Length:** 250mm to 700mm (9.8" to 27.5")
- **Profile:** 37mm x 12.7mm
- **Travel:** Full Extension
- **Side Space:** 12.7mm (+0.5mm-0mm)
- **Height:** 37.2mm (1.46")
- **Max. Loading:** 34.5 kg (75 lb)/pair
- **Mount:** Side Mount
- **Disconnect:** Clip Disconnect
- **Finish:** Clear Zinc or Black
- **Material:** Cold Rolled Steel
- **Features:** Enhanced detent pulling force to prevent drawer sliding out in vibrational environment

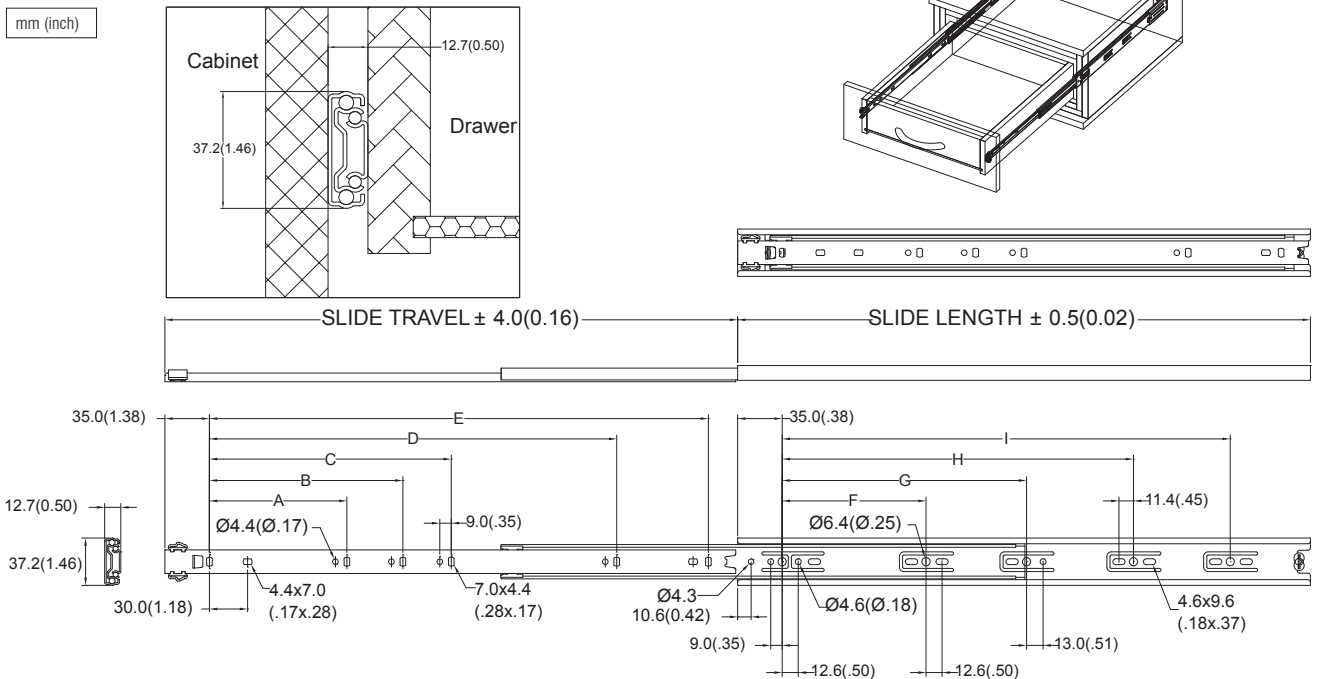
Packing

- Unit Packed in 16 pairs/carton
- Bulk Packed in 40 pcs/carton for cabinet member 100 pcs/carton for drawer member

Applications

- For Face Frame or Frameless Cabinet: Recreational Vehicle, Yacht Furniture, Medical Equipment, Office Furniture and Box Drawers

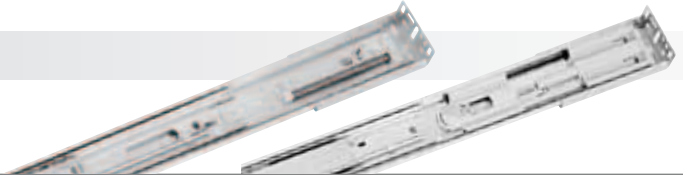
Dimension Specifications



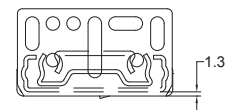
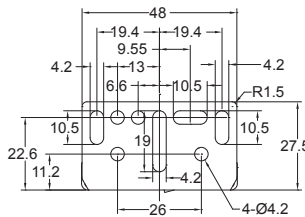
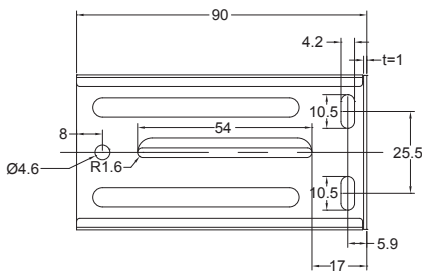
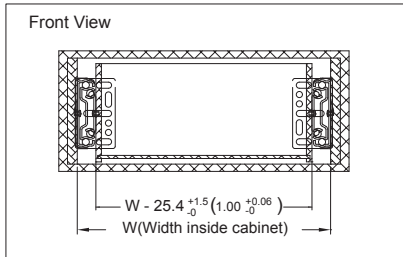
Note: Holes other than those shown may be in the slide member at King Slide's option and may change without notice.

Item No.	Slide Length mm (inch)	Slide Travel mm (inch)	Loading Capacity kg (lb) / pair	Holes Position mm (inch)								
				A	B	C	D	E	F	G	H	I
3J01B250	250.0 (9.84)	230.0 (9.06)	17.5 (38.0)	—	—	—	—	192.0 (7.56)	160.0 (6.30)	—	—	—
3J01B300	300.0 (11.81)	300.0 (11.81)	20.7 (45.0)	128.0 (5.04)	—	—	—	242.0 (9.53)	128.0 (5.04)	224.0 (8.82)	—	—
3J01B350	350.0 (13.78)	350.0 (13.78)	25.7 (56.0)	128.0 (5.04)	—	—	—	292.0 (11.50)	128.0 (5.04)	224.0 (8.82)	—	—
3J01B400	400.0 (15.75)	400.0 (15.75)	34.5 (75.0)	128.0 (5.04)	—	320.0 (12.60)	—	342.0 (13.46)	128.0 (5.04)	224.0 (8.82)	320.0 (12.60)	—
3J01B450	450.0 (17.72)	450.0 (17.72)	34.5 (75.0)	128.0 (5.04)	—	320.0 (12.60)	—	392.0 (15.43)	128.0 (5.04)	224.0 (8.82)	352.0 (13.86)	—
3J01B500	500.0 (19.69)	500.0 (19.69)	34.5 (75.0)	128.0 (5.04)	—	320.0 (12.60)	416.0 (16.38)	442.0 (17.40)	128.0 (5.04)	224.0 (8.82)	416.0 (16.38)	—
3J01B550	550.0 (21.65)	550.0 (21.65)	34.5 (75.0)	128.0 (5.04)	224.0 (8.82)	—	416.0 (16.38)	492.0 (19.37)	128.0 (5.04)	224.0 (8.82)	352.0 (13.86)	448.0 (17.64)
3J01B600	600.0 (23.62)	600.0 (23.62)	29.5 (64.0)	128.0 (5.04)	224.0 (8.82)	416.0 (16.38)	—	542.0 (21.34)	128.0 (5.04)	224.0 (8.82)	352.0 (13.86)	480.0 (18.90)
3J01B650	650.0 (25.59)	650.0 (25.59)	24.4 (53.0)	128.0 (5.04)	224.0 (8.82)	416.0 (16.38)	544.0 (21.42)	592.0 (23.31)	128.0 (5.04)	224.0 (8.82)	352.0 (13.86)	544.0 (21.42)
3J01B700	700.0 (27.56)	700.0 (27.56)	23.0 (50.0)	128.0 (5.04)	224.0 (8.82)	416.0 (16.38)	544.0 (21.42)	642.0 (25.28)	128.0 (5.04)	224.0 (8.82)	352.0 (13.86)	544.0 (21.42)

Rear Bracket for Face Frame Cabinet

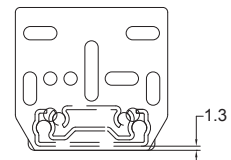
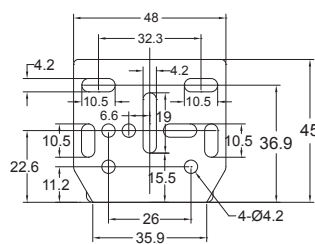
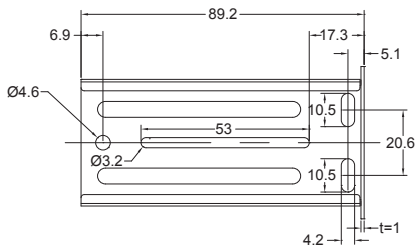
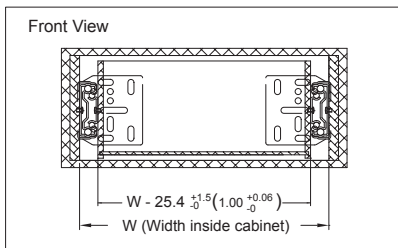


For 3M Rear Bracket Item No. : GU3M5201PY-ZZS



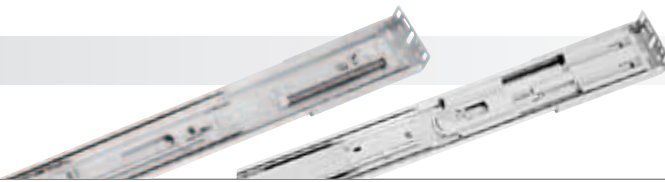
Note: Holes other than those shown may be in the slide member at King Slide's option and may change without notice.

For 3J Rear Bracket Item No. : GU3J0101PY-ZZS

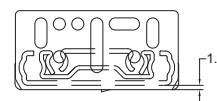
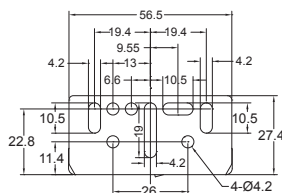
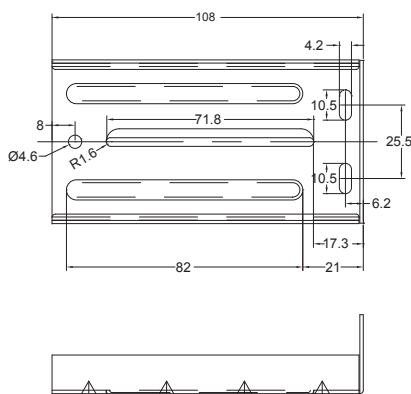
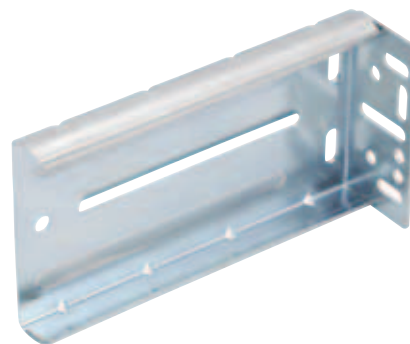
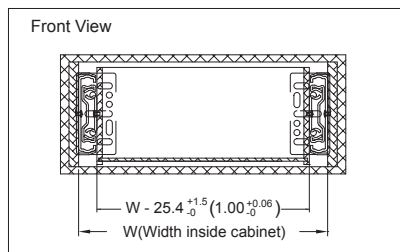


Note: Holes other than those shown may be in the slide member at King Slide's option and may change without notice.

Rear Bracket for Face Frame Cabinet



For AE Rear Bracket Item No. : GUAE5201PY-ZZS



Note: Holes other than those shown may be in the slide member at King Slide's option and may change without notice.