

3

Functional Slides Push-Open Ball Bearing Slide

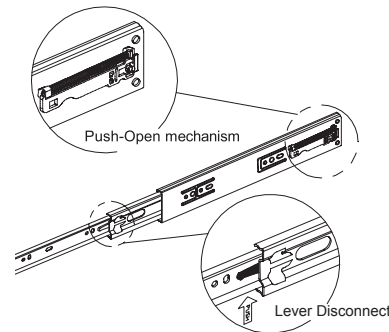
One Touch to Open, No Handle Needed.

- King Slide's Push-Open series are accompanied by our latest patent pending mechanism. Unlike other Push-Open design, which cannot tolerate normal pull-open, King Slide's latest design allows for normal pull-open. This mechanism can effectively prevent damages due to improper installation or usage.
- When the drawer is empty it can reach its full open distance. It can reach at least 10cm (4") when at its weight capacity.
- This line of product is under life-time warranty when installed and used according to manufacturer's instructions.



Features

- Push-Open, Handle-Free
- Dual design allows for traditional pull open preventing damages caused by improper installation and usage
- Ultra smooth with high rigidity and stability design



Installation Instruction

1. Press the lever disconnect to separate slide members. (Fig.1)
 2. Install the cabinet members as indicated in Fig2. Make sure both cabinet members are vertically and horizontally parallel.
 3. Install the drawer members as indicated in Fig3. Make sure both drawer members are vertically and horizontally parallel.
 4. Insert drawer members into cabinet members as indicated in Fig4. and push the drawer until it is closed.
- *If sound damper is to be used, a distance of 5mm must be reserved for push-open actuation.
- *The center of front panel is suggested as the best push-open point

Fig. 1

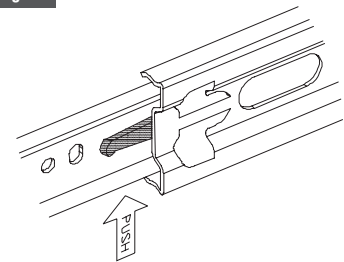


Fig. 2 Lateral Side

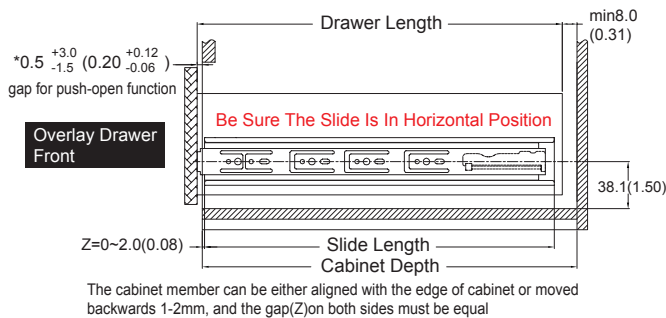


Fig. 3

Drawer member working drawing

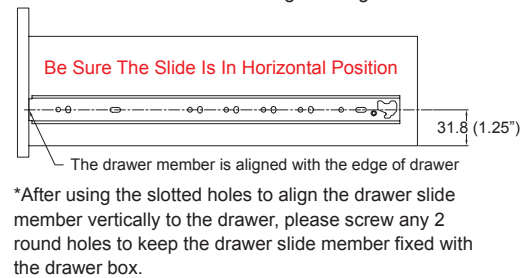


Fig. 4

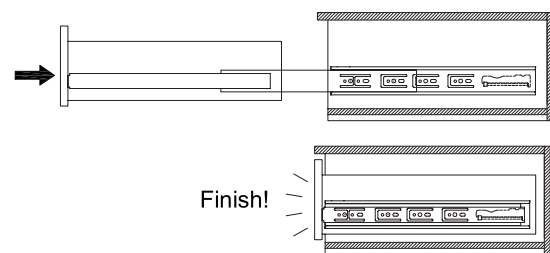
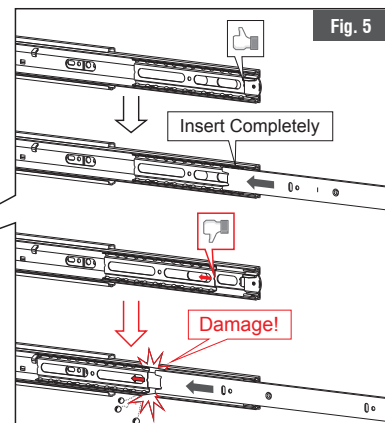
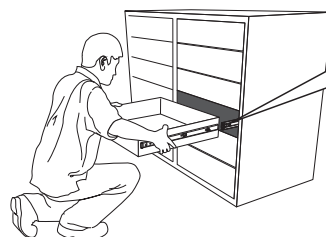


Fig. 5



WARNING

When install the drawer into the cabinet, please make sure the drawer member insert to the ball retainer completely. (Fig.5)



AD89 Heavy Duty Slide

-Push-Open



Specifications

- **Length:** 300mm to 700mm (12" to 28")
- **Profile:** 53mm x 19.1mm
- **Travel:** Full Extension
- **Side Space:** 19.1mm (+0.5mm-0mm)
- **Height:** 53mm (2.09")
- **Max. Loading:** 90.8 kg (200 lb)/pair
- **Mount:** Side Mount
- **Disconnect:** Lever Disconnect
- **Finish:** Clear Zinc or Black
- **Material:** Cold Rolled Steel
- **Packing:** Unit Packed in 10 pairs/carton

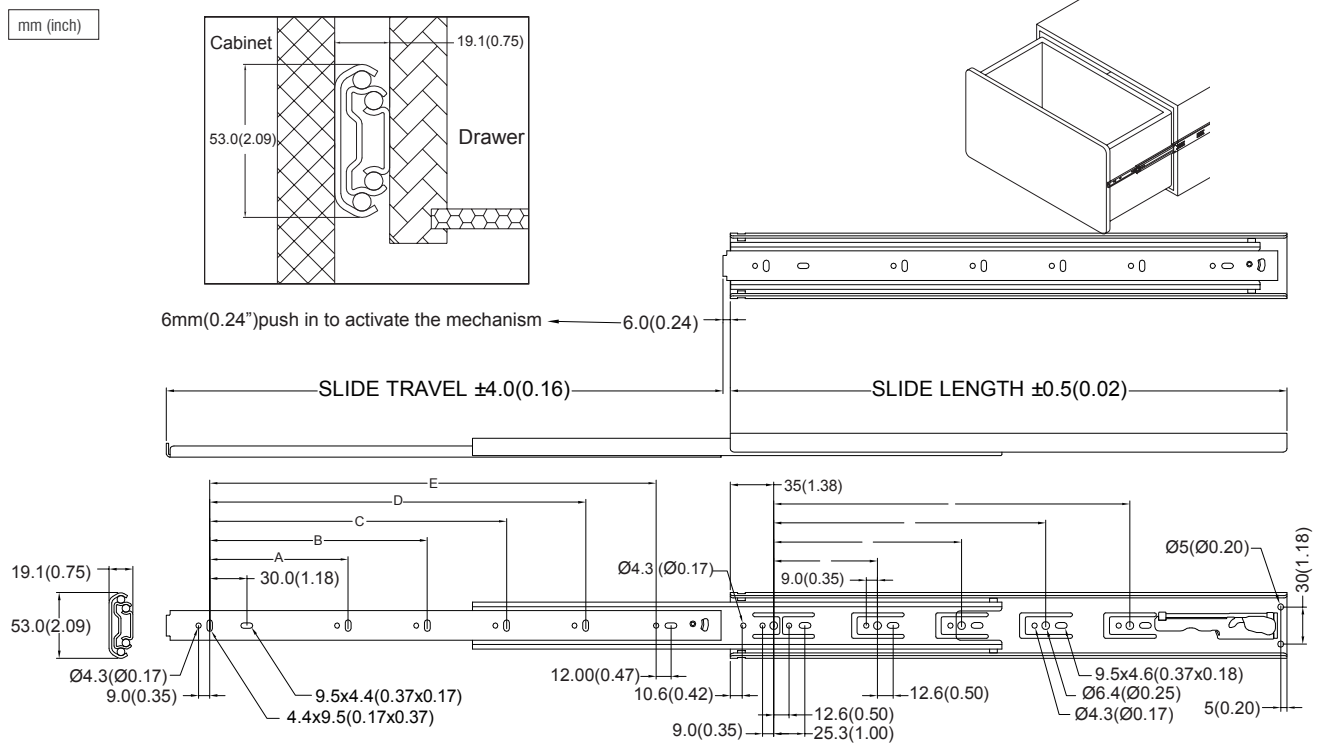
Features

- Push-Open, Handle-Free
- Dual design allows for traditional pull-open preventing damages caused by improper installation and usage
- Ultra smooth with high rigidity and stability design
- 50,000 life cycles guaranteed under proper installation and normal usage

Applications

- Wide Lateral File Drawers, Large Storage Drawers and Toolbox

Dimension Specifications

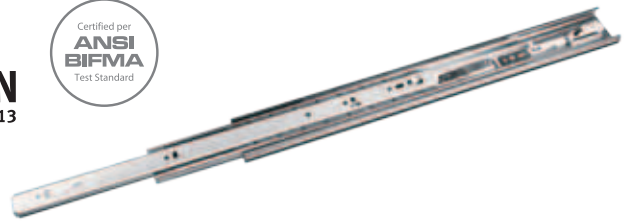


Note: Holes other than those shown may be in the slide member at King Slide's option and may change without notice.

Specific hole →

Item No.	Slide Length mm (inch)	Slide Travel mm (inch)	Loading Capacity kg (lb) / pair	Holes Position mm (inch)								
				A	B	C	D	E	F	G	H	I
AD89-300	300.0 (11.81)	300.0 (11.81)	77.2 (170.0)	96.0(3.78)	—	—	—	211.0 (8.31)	—	—	—	128.0(5.04)
AD89-350	350.0 (13.78)	350.0 (13.78)	81.7 (180.0)	128.0(5.04)	—	—	—	261.0 (10.28)	128.0 (5.04)	—	—	192.0(7.56)
AD89-400	400.0 (15.75)	400.0 (15.75)	86.3 (190.0)	128.0(5.04)	—	—	—	311.0 (12.24)	128.0 (5.04)	—	—	224.0(8.82)
AD89-450	450.0 (17.72)	450.0 (17.72)	90.8 (200.0)	128.0(5.04)	352.0 (13.86)	—	—	361.0 (14.21)	160.0 (6.03)	—	—	288.0(11.34)
AD89-500	500.0 (19.69)	500.0 (19.69)	90.8 (200.0)	128.0(5.04)	192.0 (7.56)	320.0(12.60)	—	411.0 (16.18)	224.0 (8.82)	—	—	320.0(12.60)
AD89-550	550.0 (21.65)	550.0 (21.65)	90.8 (200.0)	128.0(5.04)	224.0 (8.82)	384.0 (15.12)	—	461.0 (18.14)	224.0 (8.82)	—	—	384.0(15.12)
AD89-600	600.0 (23.62)	600.0 (23.62)	86.3 (190.0)	128.0(5.04)	224.0 (8.82)	416.0 (16.38)	—	511.0 (20.12)	224.0 (8.82)	352.0 (13.86)	—	448.0(17.64)
AD89-650	650.0 (25.59)	650.0 (25.59)	84.0 (185.0)	128.0(5.04)	224.0 (8.82)	416.0 (16.38)	544.0 (21.42)	561.0 (22.09)	128.0 (5.04)	352.0 (13.86)	—	480.0(18.90)
AD89-700	700.0 (27.56)	700.0 (27.56)	81.7 (180.0)	128.0(5.04)	224.0 (8.82)	416.0 (16.38)	544.0 (21.42)	611.0 (24.06)	128.0 (5.04)	352.0 (13.86)	448.0(17.64)	544.0(21.42)

AE89 Heavy Duty Slide -Push-Open



3

Push-Open Ball Bearing Slides

Specifications

- **Length:** 300mm to 700mm (12" to 28")
- **Profile:** 54mm x 12.7mm
- **Travel:** Full Extension
- **Side Space:** 12.7mm (+0.5mm-0mm)
- **Height:** 54mm (2.13")
- **Max. Loading:** 68 kg (150 lb)/pair
- **Mount:** Side Mount
- **Disconnect:** Lever Disconnect
- **Finish:** Clear Zinc or Black
- **Material:** Cold Rolled Steel
- **Packing:** Unit Packed in 5 pairs/carton
Bulk Packed in
10 pcs/carton for cabinet member
100 pcs/carton for drawer member

Features

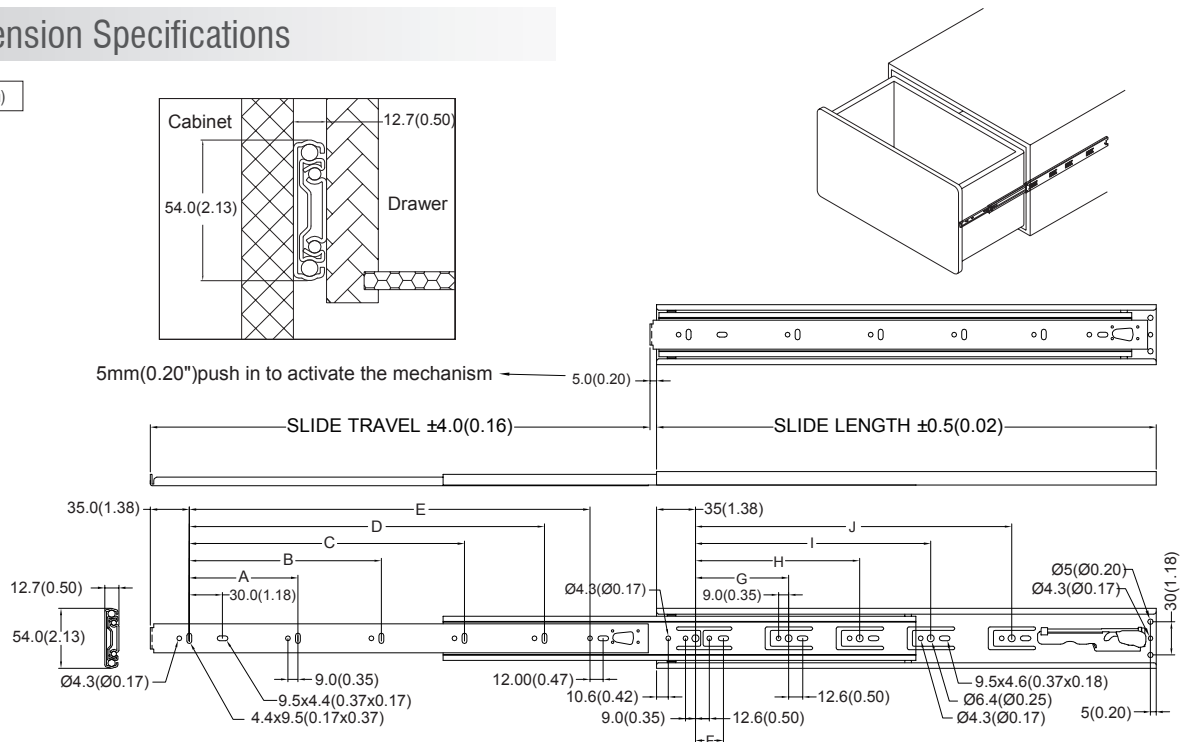
- Push-Open, Handle-Free
- Dual design allows for traditional pull-open preventing damages caused by improper installation and usage
- Ultra smooth with high rigidity and stability design
- 50,000 life cycles guaranteed under proper installation and normal usage

Applications

- Wide Lateral File Drawers, Large Storage Drawers and Toolbox

Dimension Specifications

mm (inch)



Note: Holes other than those shown may be in the slide member at King Slide's option and may change without notice.



Item No.	Slide Length mm (inch)	Slide Travel mm (inch)	Loading Capacity kg (lb) / pair	HOLES POSITION mm (inch)									
				A	B	C	D	E	F	G	H	I	J
AE89-300	300.0 (11.81)	300.0 (11.81)	54.5 (120.0)	96.0(3.78)	—	—	—	211.0 (8.31)	25.3 (1.00)	—	—	—	128.0 (5.04)
AE89-350	350.0 (13.78)	350.0 (13.78)	54.5 (120.0)	128.0(5.04)	—	—	—	261.0 (10.28)	25.3 (1.00)	128.0 (5.04)	—	—	192.0 (7.56)
AE89-400	400.0 (15.75)	400.0 (15.75)	63.6 (140.0)	128.0(5.04)	—	—	—	311.0 (12.24)	—	128.0 (5.04)	—	—	224.0 (8.82)
AE89-450	450.0 (17.72)	450.0 (17.72)	68.1 (150.0)	128.0(5.04)	352.0 (13.86)	—	—	361.0 (14.21)	25.3 (1.00)	160.0 (6.30)	—	—	288.0 (11.34)
AE89-500	500.0 (19.69)	500.0 (19.69)	68.1 (150.0)	128.0(5.04)	192.0 (7.56)	320.0 (12.60)	—	411.0 (16.18)	25.3 (1.00)	224.0 (8.82)	—	—	320.0 (12.60)
AE89-550	550.0 (21.65)	550.0 (21.65)	68.1 (150.0)	128.0(5.04)	224.0 (8.82)	384.0 (15.12)	—	461.0 (18.14)	25.3 (1.00)	224.0 (8.82)	—	—	384.0 (15.12)
AE89-600	600.0 (23.62)	600.0 (23.62)	68.1 (150.0)	128.0(5.04)	224.0 (8.82)	416.0 (16.38)	—	511.0 (20.12)	25.3 (1.00)	224.0 (8.82)	352.0 (13.86)	—	448.0 (17.64)
AE89-650	650.0 (25.59)	650.0 (25.59)	68.1 (150.0)	128.0(5.04)	224.0 (8.82)	416.0 (16.38)	544.0 (21.42)	561.0 (22.09)	25.3 (1.00)	128.0 (5.04)	352.0 (13.86)	—	480.0 (18.90)
AE89-700	700.0 (27.56)	700.0 (27.56)	68.1 (150.0)	128.0(5.04)	224.0 (8.82)	416.0 (16.38)	544.0 (21.42)	611.0 (24.06)	25.3 (1.00)	128.0 (5.04)	352.0 (13.86)	448.0 (17.64)	544.0 (21.42)

3M89 Medium Duty Slide

-Push-Open



Specifications

- **Length:** 250mm to 700mm (10" to 28")
- **Profile:** 45mm x 12.7mm
- **Travel:** Full Extension
- **Side Space:** 13.0mm (+0.5mm-0mm)
- **Height:** 45mm (1.80")
- **Max. Loading:** 45 kg (100 lb)/pair
- **Mount:** Side Mount
- **Disconnect:** Lever Disconnect
- **Finish:** Clear Zinc or Black
- **Material:** Cold Rolled Steel
- **Packing:** Unit Packed in 10 pairs/carton
Bulk Packed in
40 pcs/carton for cabinet member
100 pcs/carton for drawer member

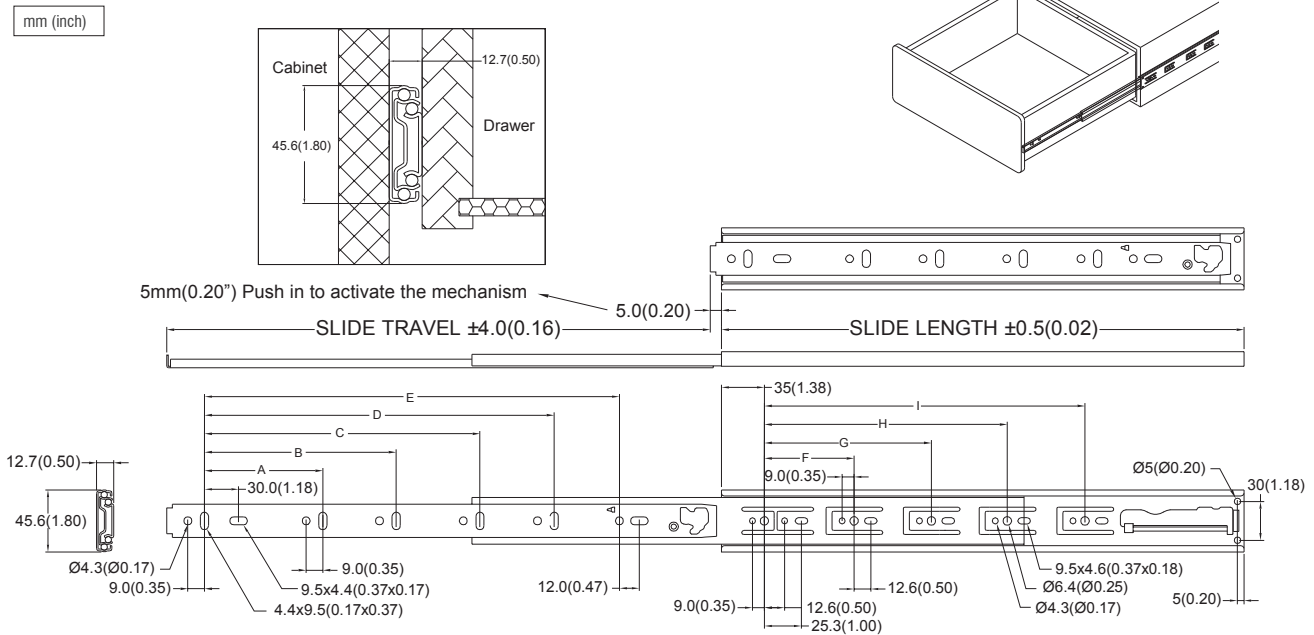
Features

- Push-Open, Handle-Free
- Dual design allows for traditional pull-open preventing damages caused by improper installation and usage
- Ultra smooth with high rigidity and stability design
- 50,000 life cycles guaranteed under proper installation and normal usage

Applications

- Medical Equipment, Industrial Work Stations, Office Furniture, Kitchen Furniture, Home Cabinets and Box Drawers

Dimension Specifications



Note: Holes other than those shown may be in the slide member at King Slide's option and may change without notice.

Item No.	Slide Length mm (inch)	Slide Travel mm (inch)	Loading Capacity kg (lb) / pair	HOLES POSITION mm (inch)								
				A	B	C	D	E	F	G	H	I
3M89-250	250.0 (9.84)	225.7 (8.88)	22.7 (50.0)	—	—	—	—	161.0 (6.34)	—	—	—	96.0 (3.78)
3M89-300	300.0 (11.81)	300.7 (11.84)	27.3 (60.0)	128.0 (5.04)	—	—	—	211.0 (8.31)	—	—	—	128.0 (5.04)
3M89-350	350.0 (13.78)	350.7 (13.81)	34.1 (75.0)	128.0 (5.04)	—	—	—	261.0 (10.28)	128.0 (5.04)	—	—	192.0 (7.56)
3M89-400	400.0 (15.75)	400.7 (15.78)	40.9 (90.0)	128.0 (5.04)	—	—	—	311.0 (12.24)	128.0 (5.04)	—	—	224.0 (8.82)
3M89-450	450.0 (17.72)	450.7 (17.74)	45.4 (100.0)	128.0 (5.04)	320.0 (12.60)	—	—	361.0 (14.21)	128.0 (5.04)	—	—	288.0 (11.34)
3M89-500	500.0 (19.69)	500.7 (19.71)	45.4 (100.0)	128.0 (5.04)	224.0 (8.82)	320.0 (12.60)	—	411.0 (16.18)	128.0 (5.04)	224.0 (8.82)	—	320.0 (12.60)
3M89-550	550.0 (21.65)	550.7 (21.68)	45.4 (100.0)	128.0 (5.04)	224.0 (8.82)	416.0 (16.38)	—	461.0 (18.14)	128.0 (5.04)	224.0 (8.82)	—	384.0 (15.12)
3M89-600	600.0 (23.62)	600.7 (23.65)	38.6 (85.0)	128.0 (5.04)	224.0 (8.82)	416.0 (16.38)	—	511.0 (20.12)	128.0 (5.04)	224.0 (8.82)	352.0 (13.86)	448.0 (17.64)
3M89-650	650.0 (25.59)	650.7 (25.62)	31.8 (70.0)	128.0 (5.04)	224.0 (8.82)	416.0 (16.38)	544.0 (21.42)	561.0 (22.09)	128.0 (5.04)	224.0 (8.82)	352.0 (13.86)	480.0 (18.90)
3M89-700	700.0 (27.56)	700.7 (27.59)	27.2 (60.0)	128.0 (5.04)	224.0 (8.82)	416.0 (16.38)	544.0 (21.42)	611.0 (24.06)	128.0 (5.04)	224.0 (8.82)	352.0 (13.86)	544.0 (21.42)

3M84 Medium Duty Slide for Wire Basket

-Push-Open



Specifications

- **Length:** 450mm to 487mm (18" to 19")
- **Profile:** 45mm x 34mm
- **Travel:** Full Extension
- **Side Space:** 34mm (+0.5mm-0mm)
- **Height:** 45.6mm (1.80")
- **Max. Loading:** 36.3kg (80lb)/pair
- **Mount:** Side Mount
- **Disconnect:** Lever Disconnect
- **Finish:** Clear Zinc or Black
- **Material:** Cold Rolled Steel
- **Packing:** Unit Packed in 10 pairs/carton

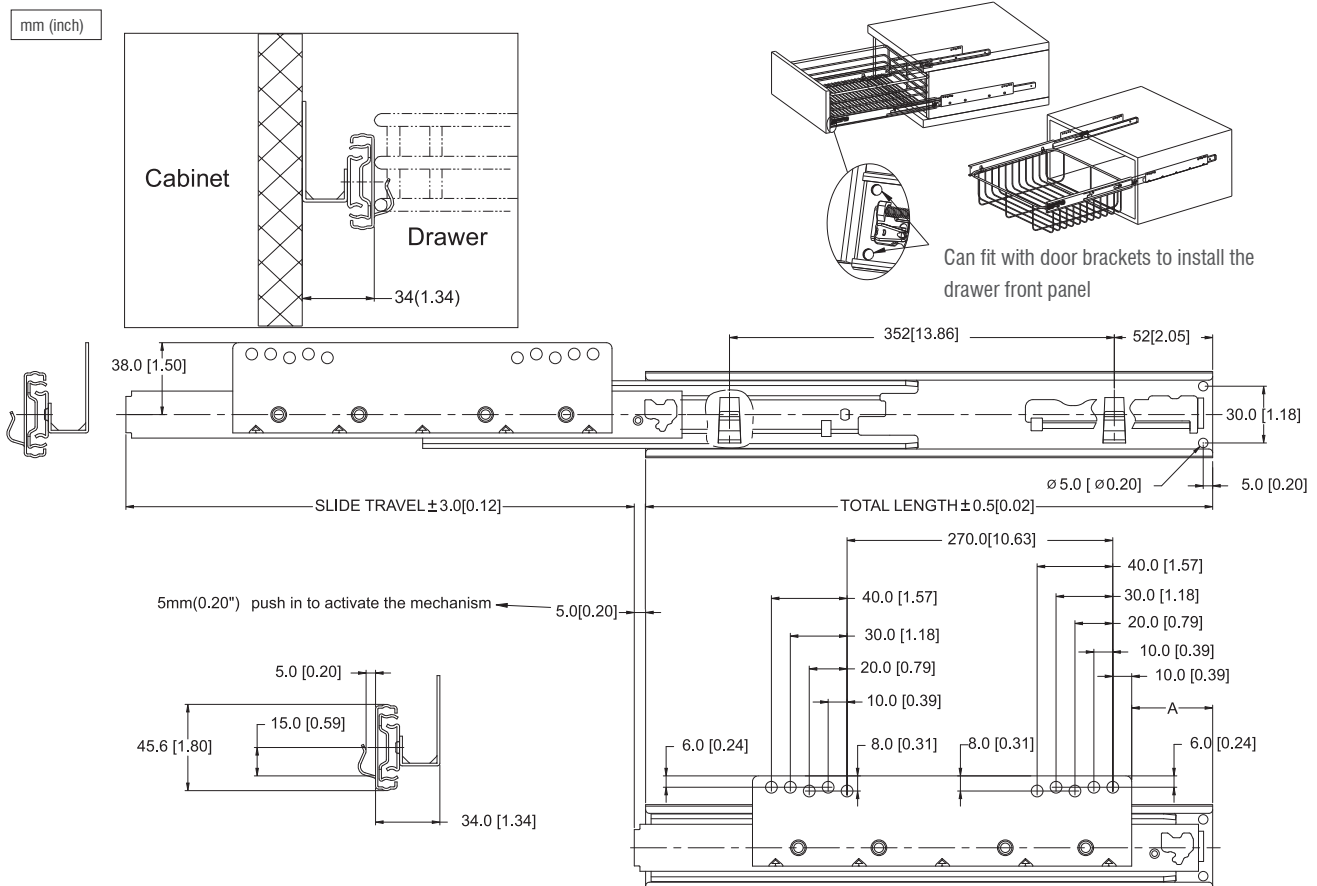
Features

- Push-Open, Handle-Free
- Hybrid design allows for traditional pull open preventing damages caused by improper installation and usage
- Ultra smooth with high rigidity and stability design
- 50,000 life cycles guaranteed under proper installation and normal usage

Applications

- Can be used in Wire Basket Drawers for Kitchen and Furniture with or without the Front Panel

Dimension Specifications

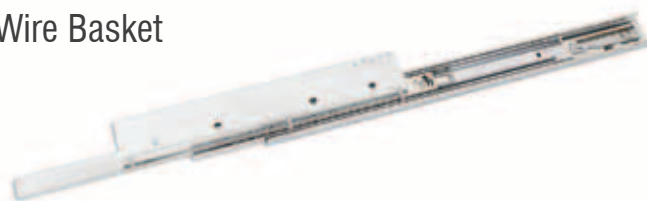


Note: Holes other than those shown may be in the slide member at King Slide's option and may change without notice.

Item No.	Slide Length mm (inch)	Slide Travel mm (inch)	Loading Capacity kg (lb) / pair	Holes Position mm (inch)
				A
3M84-450	450 (17.72)	450.7 (17.74)	36.3 (80)	34.0 (1.34)
3M84-475	475 (18.70)	452.3 (17.81)	36.3 (80)	34.0 (1.34)
3M84-487	487 (19.17)	452.3 (17.81)	36.3 (80)	46.0 (1.81)

3M84A Medium Duty Slide for Wire Basket

-Push-Open



Specifications

- **Length:** 450mm to 487mm (18" to 19")
- **Profile:** 45mm x 34mm
- **Travel:** Full Extension
- **Side Space:** 32 to 36mm (+0.5mm-0mm)
- **Height:** 45.6mm (1.80")
- **Max. Loading:** 36.3kg (80lb)/pair
- **Mount:** Side Mount
- **Disconnect:** Lever Disconnect
- **Finish:** Clear Zinc or Black
- **Material:** Cold Rolled Steel
- **Packing:** Unit Packed in 10 pairs/carton

Features

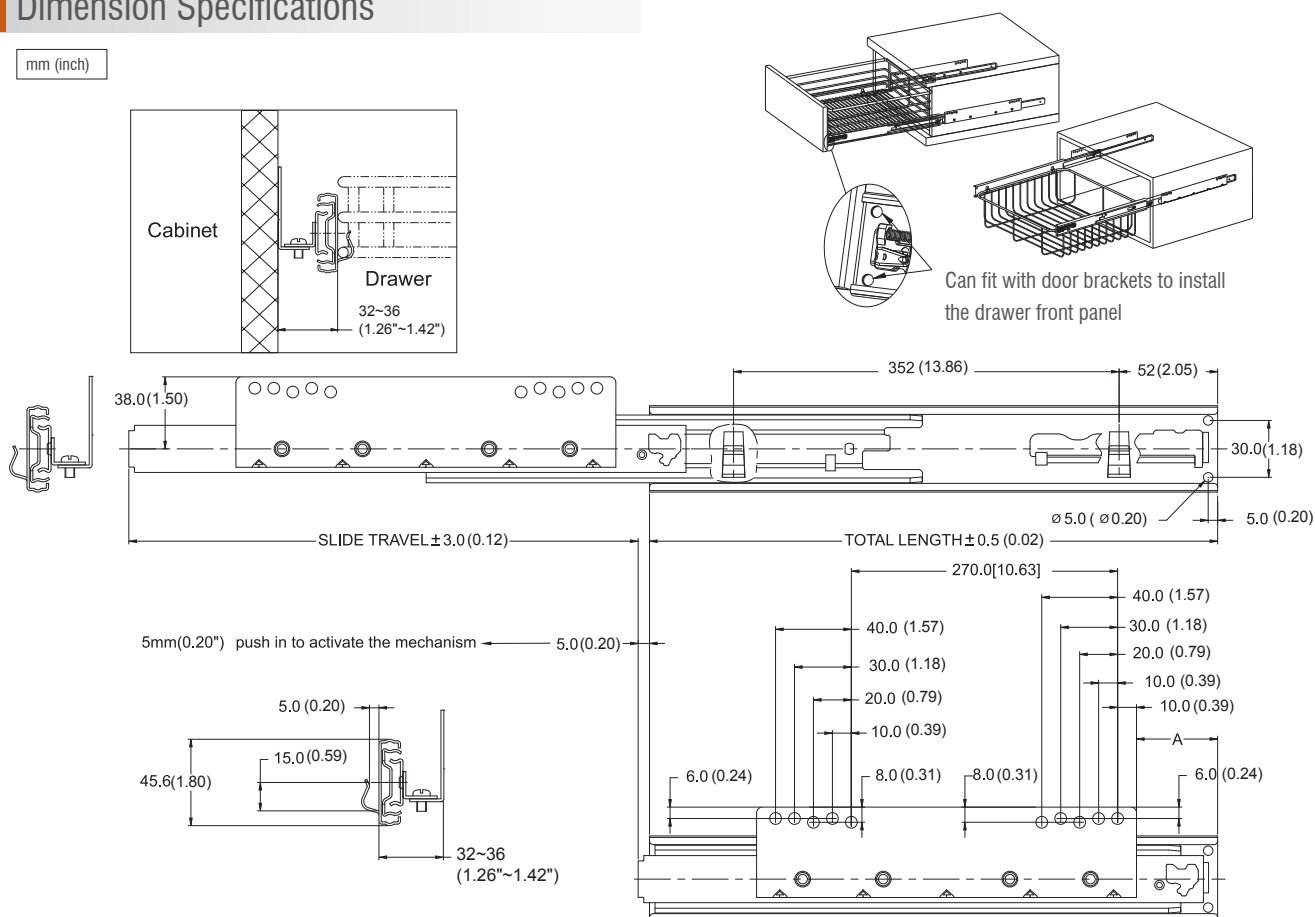
- Push-Open, Handle-Free
- Hybrid design allows for traditional pull open preventing damages caused by improper installation and usage
- Ultra smooth with high rigidity and stability design
- 50,000 life cycles guaranteed under proper installation and normal usage

Applications

- Can be used in Wire Basket Drawers for Kitchen and Furniture with or without the Front Panel

Dimension Specifications

mm (inch)



Note: Holes other than those shown may be in the slide member at King Slide's option and may change without notice.

Item No.	Slide Length mm (inch)	Slide Travel mm (inch)	Loading Capacity kg (lb) / pair	Holes Position mm (inch)
				A
3M84A450	450 (17.72)	450.7 (17.74)	36.3 (80)	44.0 (1.73)
3M84A475	475 (18.70)	452.3 (17.81)	36.3 (80)	44.0 (1.73)
3M84A487	487 (19.17)	452.3 (17.81)	36.3 (80)	44.0 (1.73)

3M86

45 x 12.7mm
Medium Duty Slide
-Bottom Mount



3

Push-Open Ball Bearing Slides

Specifications

- **Length:** 300mm to 600mm (12" to 28")
- **Profile:** 45mm x 12.7mm
- **Travel:** Full Extension
- **Side Space:** 13.0mm (+0.5mm-0mm)
- **Height:** 45.6mm (1.80")
- **Max. Loading:** 45 kg (100 lb)/pair
- **Mount:** Bottom Mount
- **Disconnect:** Lever Disconnect
- **Finish:** Clear Zinc or Black
- **Material:** Cold Rolled Steel
- **Packing:** Unit Packed in 12 pairs/carton
Bulk Packed in
30 pcs/carton for cabinet member
100 pcs/carton for drawer member

Features

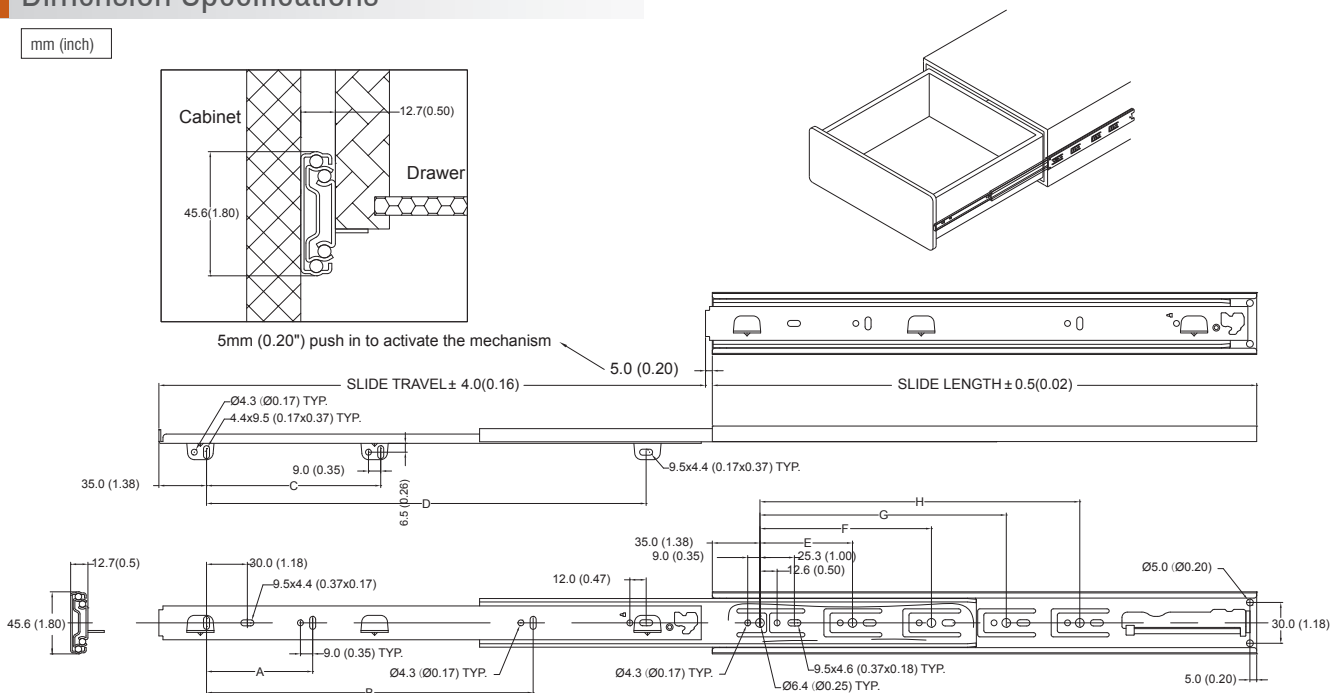
- Push-Open, Handle-Free
- Dual design allows for traditional pull-open preventing damages caused by improper installation and usage
- Ultra smooth with high rigidity and stability design
- 50,000 life cycles guaranteed under proper installation and normal usage

Applications

- Wide Lateral File Drawers, Large Storage Drawers and Toolbox

Dimension Specifications

mm (inch)



Note: Holes other than those shown may be in the slide member at King Slide's option and may change without notice.

Item No.	Slide Length mm (inch)	Slide Travel mm (inch)	Loading Capacity kg(lb)/pair	Holes Position mm (inch)							
				A	B	C	D	E	F	G	H
3M86-300	300.0 (11.81)	300.0 (11.81)	27.3 (60.0)	—	—	128.0 (5.04)	223.0 (8.77)	128.0 (5.04)	—	—	—
3M86-350	350.0 (13.78)	350.0 (13.78)	34.1 (75.0)	—	—	128.0 (5.04)	273.0 (10.75)	128.0 (5.04)	192.0 (07.56)	—	—
3M86-400	400.0 (15.75)	400.0 (15.75)	40.9 (90.0)	—	—	128.0 (5.04)	323.0 (12.71)	128.0 (5.04)	224.0 (08.82)	—	—
3M86-450	450.0 (17.72)	450.0 (17.72)	45.4 (100.0)	—	320.0 (12.60)	128.0 (5.04)	373.0 (14.69)	128.0 (5.04)	288.0 (11.34)	—	—
3M86-500	500.0 (19.69)	500.0 (19.69)	45.4 (100.0)	128.0 (5.04)	320.0 (12.60)	128.0 (5.04)	423.0 (16.65)	128.0 (5.04)	224.0 (08.82)	320.0 (12.60)	—
3M86-550	550.0 (21.65)	550.0 (21.65)	45.4 (100.0)	128.0 (5.04)	416.0 (16.38)	128.0 (5.04)	473.0 (18.62)	128.0 (5.04)	224.0 (08.82)	384.0 (15.12)	—
3M86-600	600.0 (23.62)	600.0 (23.62)	38.6 (85.0)	128.0 (5.04)	416.0 (16.38)	128.0 (5.04)	523.0 (20.59)	128.0 (5.04)	224.0 (08.82)	352.0 (13.86)	448.0 (17.64)

3J89

37 x 12.7mm
Light Duty Slide
-Push-Open



Specifications

- **Length:** 250mm to 700mm (10" to 28")
- **Profile:** 37mm x 12.7mm
- **Travel:** Full Extension
- **Side Space:** 12.7mm (+0.5mm-0mm)
- **Height:** 37.2mm (1.46")
- **Max. Loading:** 34.5kg (75lb)/pair
- **Mount:** Side Mount
- **Disconnect:** Clip Disconnect
- **Finish:** Clear Zinc or Black
- **Material:** Cold Rolled Steel
- **Packing:** Unit Packed in 10 pairs/carton
Bulk Packed in
40 pcs/carton for cabinet member
100 pcs/carton for drawer member

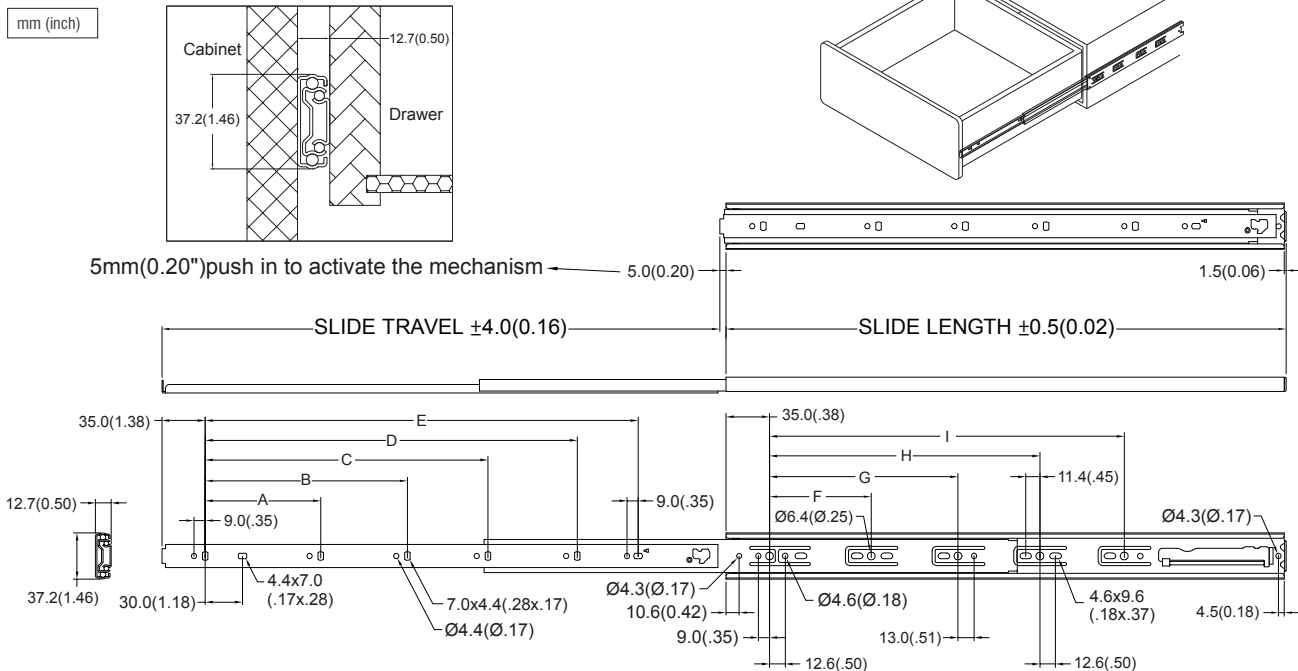
Features

- Push-Open, Handle-Free
- Hybrid design allows for traditional pull open preventing damages caused by improper installation and usage
- Ultra smooth with high rigidity and stability design
- 50,000 life cycles guaranteed under proper installation and normal usage

Applications

- Home Cabinets, Box Drawers, Desk and Storage Drawers and File Drawers

Dimension Specifications



Note: Holes other than those shown may be in the slide member at King Slide's option and may change without notice.

Item No.	Slide Length mm (inch)	Slide Travel mm (inch)	Loading Capacity kg (lb) / pair	Holes Position mm (inch)								
				A	B	C	D	E	F	G	H	I
3J89-250	251.5 (9.90)	228.0(8.89)	17.5(38.0)	—	—	—	—	148.0 (5.83)	96.0 (3.78)	—	—	—
3J89-300	301.5 (11.87)	297.0(11.69)	20.7(45.0)	—	—	—	—	198.0 (7.80)	128.0 (5.04)	—	—	—
3J89-350	351.5 (13.84)	350.0(13.78)	25.7(56.0)	128.0 (5.04)	—	—	—	248.0 (9.76)	128.0 (5.04)	192.0 (7.56)	—	—
3J89-400	401.5 (15.81)	400.0(15.75)	34.5(75.0)	128.0 (5.04)	—	—	—	298.0 (11.73)	128.0 (5.04)	224.0 (8.82)	—	—
3J89-450	451.5 (17.78)	450.0(17.72)	34.5(75.0)	128.0 (5.04)	—	320.0 (12.60)	—	348.0 (13.70)	128.0 (5.04)	288.0 (11.34)	—	—
3J89-500	501.5 (19.74)	500.0(19.69)	34.5(75.0)	128.0 (5.04)	—	320.0 (12.60)	—	398.0 (15.67)	128.0 (5.04)	224.0 (8.82)	—	320.0 (12.60)
3J89-550	551.5 (21.71)	550.0(21.65)	34.5(75.0)	128.0 (5.04)	224.0 (8.82)	416.0 (16.38)	—	448.0 (17.64)	128.0 (5.04)	224.0 (8.82)	—	384.0 (15.12)
3J89-600	601.5 (23.68)	600.0(23.62)	29.5(64.0)	128.0 (5.04)	224.0 (8.82)	416.0 (16.38)	—	498.0 (19.61)	128.0 (5.04)	224.0 (8.82)	352.0 (13.86)	416.0 (16.38)
3J89-650	651.5 (25.65)	650.0(25.59)	24.4(53.0)	128.0 (5.04)	224.0 (8.82)	416.0 (16.38)	—	548.0 (21.57)	128.0 (5.04)	224.0 (8.82)	352.0 (13.86)	480.0 (18.90)
3J89-700	701.5 (27.62)	700.0 (27.56)	23.0 (50.0)	128.0 (5.04)	224.0 (8.82)	416.0 (16.38)	544.0 (21.42)	598.0 (23.54)	128.0 (5.04)	224.0 (8.82)	352.0 (13.86)	544.0 (21.42)

