

2

Functional Slides Silent Soft-Closing Ball Bearing Slide

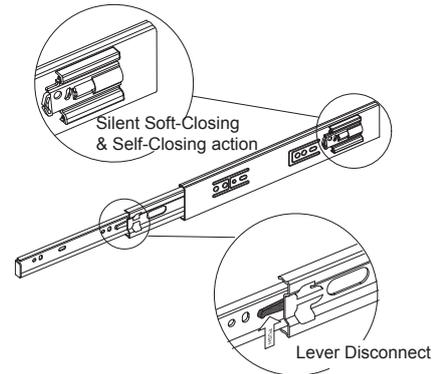
Perfect Motion

- King Slide's excellent damping mechanism uses mechanical structural design, which is different from other brands' surface shock absorbing design.
- King Slide's high-precision and user friendly design allows for high tolerance in drawer installation.



Features

- Durable damping system with fast response capability
- Enhanced silent soft-closing feature with light opening force
- Ultra smooth gliding motion with high rigidity and stability design



Installation Instruction

1. Press the Lever Disconnect to separate slide members (Fig.1)
 2. Install the inside slides to the drawer member and make sure both of the inside slide are mounted vertically and horizontally parallel. (Fig.2)
 3. Install the external slides to the cabinet members and make sure both of the external slides are mounted vertically and horizontally parallel. (Fig.3)
 4. Insert the drawer into the cabinet and push the drawer until it is closed. (Fig.4)
- Please pay attention to the following warning.

Fig. 1

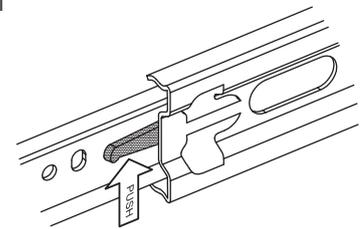


Fig. 2

Drawer member

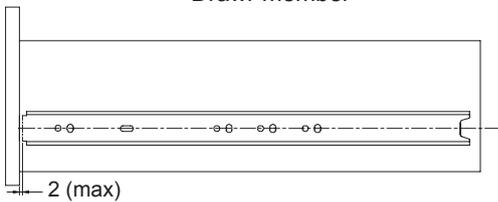


Fig. 3

Cabinet member

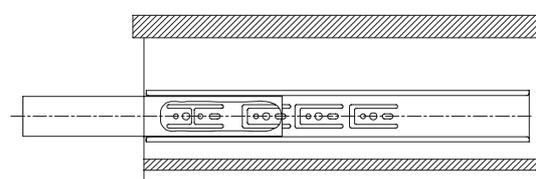
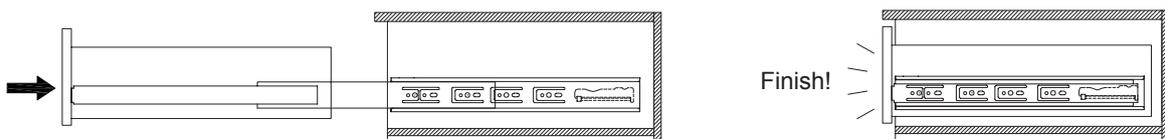


Fig. 4



WARNING

When install the drawer into the cabinet, please make sure the drawer member insert to the ball retainer completely. (Fig.5)

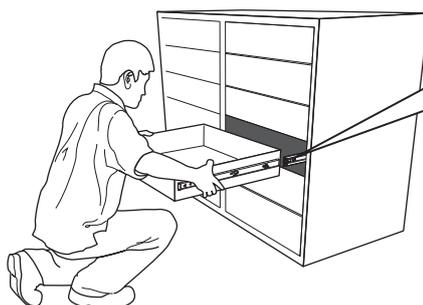
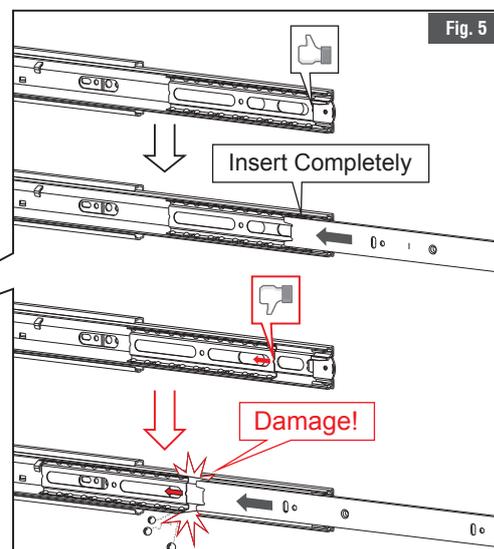


Fig. 5



AD52 Heavy Duty Slide

-Silent Soft-Closing



2

Silent Soft-Closing Ball Bearing Slides

Specifications

- **Length:** 302mm to 602mm (12" to 24")
- **Profile:** 53mm x 19.1 mm
- **Travel:** Full Extension
- **Side Space:** 19.1mm (+0.5mm-0mm)
- **Height:** 53mm (2.09")
- **Max. Loading:** 68 kg (150 lb)/pair
- **Mount:** Side Mount
- **Disconnect:** Lever-Disconnect
- **Finish:** Clear Zinc or Black
- **Material:** Cold Rolled Steel
- **Packing:** Unit Packed in 5 pairs/ carton

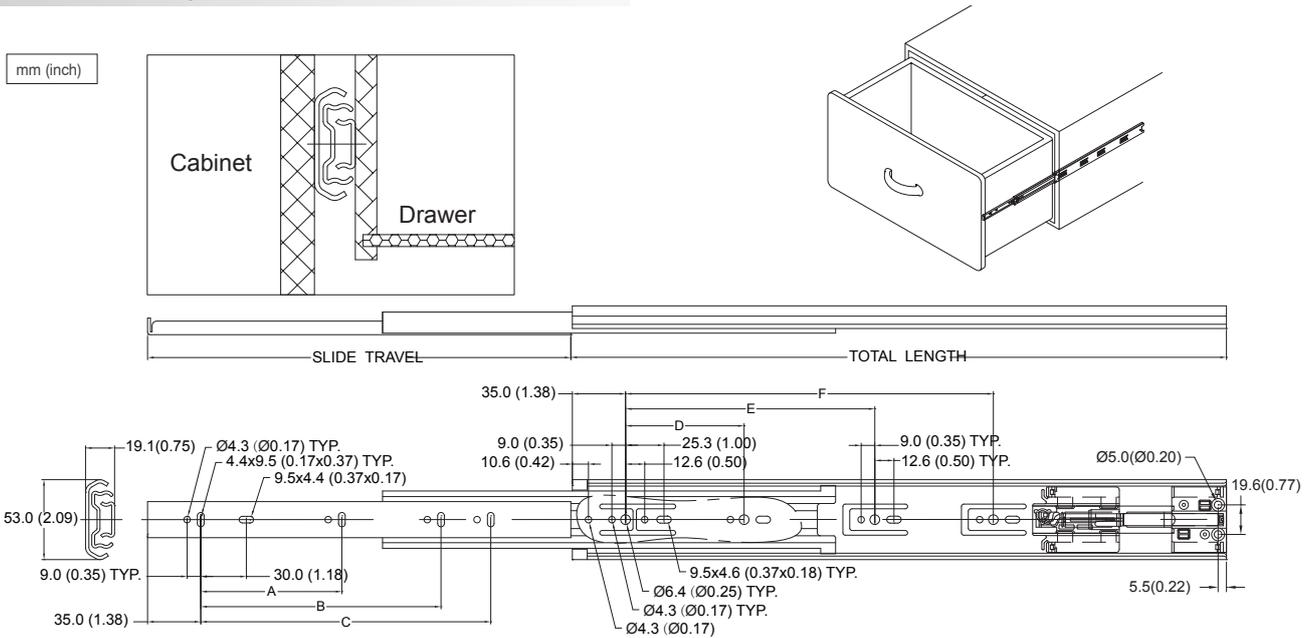
Features

- Durable damping system with fast response capability
- Enhanced silent soft-closing feature with light opening force
- Ultra smooth gliding motion with high rigidity and stability design
- 50,000 life cycles guaranteed under proper installation and normal usage

Applications

- Wide Lateral File Drawers, Large Storage Drawers and Toolbox

Dimension Specifications



Note: Holes other than those shown may be in the slide member at King Slide's option and may change without notice.

Item No.	Total Length mm (inch)	Slide Travel mm (inch)	Loading Capacity kg (lb) / pair	Holes Position mm (inch)							
				A	B	C	D	E	F		
AD52-300	302.0 (11.89)	265.4 (10.31)	55.0 (120.0)	87.0 (3.42)	▲ 168.0 (6.61)	▲	—	96.0 (3.78)	●	—	—
AD52-350	352.0 (13.86)	340.0 (13.23)	55.0 (120.0)	128.0 (5.04)	218.0 (8.58)	▲	—	128.0 (5.04)	●	—	—
AD52-400	402.0 (15.83)	398.0 (15.67)	64.0 (140.0)	128.0 (5.04)	256.0 (10.08)	—	—	128.0 (5.04)	●	192.0 (07.56)	—
AD52-450	452.0 (17.80)	448.0 (17.64)	68.0 (150.0)	128.0 (5.04)	320.0 (12.60)	—	—	128.0 (5.04)	●	256.0 (10.08)	—
AD52-500	502.0 (19.76)	498.0 (19.61)	66.0 (145.0)	128.0 (5.04)	224.0 (08.82)	343.0 (13.50)	▲	128.0 (5.04)	●	256.0 (10.08)	—
AD52-550	552.0 (21.73)	548.0 (21.57)	64.0 (140.0)	128.0 (5.04)	256.0 (10.08)	384.0 (15.12)	—	128.0 (5.04)	●	224.0 (08.82)	320.0 (12.60)
AD52-600	602.0 (23.70)	598.0 (23.54)	59.0 (130.0)	128.0 (5.04)	288.0 (11.34)	416.0 (16.38)	—	128.0 (5.04)	●	224.0 (08.82)	352.0 (13.86)

AD57 Heavy Duty Slide

-Silent Soft-Closing



Specifications

- **Length:** 420mm (16.54")
- **Profile:** 53mm x 19.1mm
- **Travel:** Full Extension
- **Side Space:** 19.1mm (+0.5mm-0mm)
- **Height:** 53mm (2.09")
- **Max. Loading:** 60 kg (132 lb)/pair
- **Mount:** Side Mount
- **Disconnect:** Bayonet Disconnect
- **Finish:** Clear Zinc or Black
- **Material:** Cold Rolled Steel
- **Packing:** Unit Packed in 6 pairs/ carton
Bulk Packed in 12 pcs/ carton

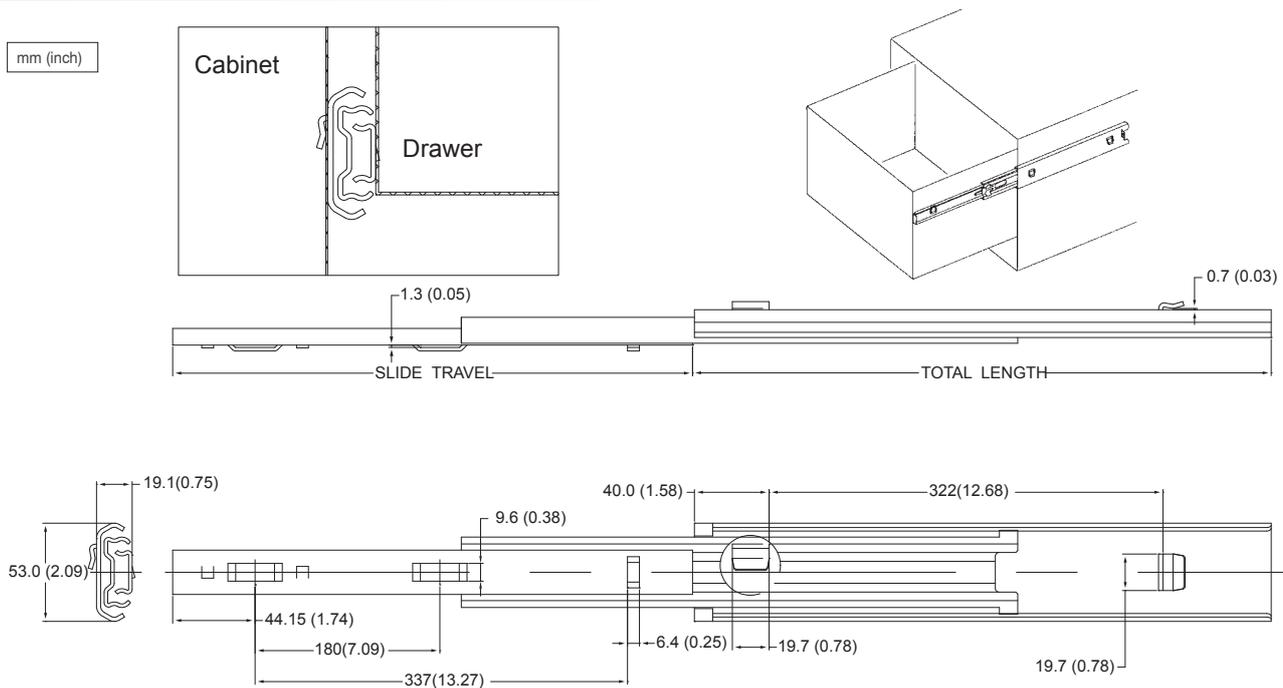
Features

- Durable damping system with fast response capability
- Enhanced silent soft-closing feature with light opening force
- Ultra smooth gliding motion with high rigidity and stability design
- 50,000 life cycles guaranteed under proper installation and normal usage

Applications

- Wide Lateral File Drawers, Large Storage Drawers and Toolbox

Dimension Specifications



Note: Holes other than those shown may be in the slide member at King Slide's option and may change without notice.

Item No.	Total Length Tolerance: ±0.5 (0.02)	Slide Travel Tolerance: ±0.3 mm (0.12)	Loading Capacity kg (lb) / pair
AD57-420	420.0 (16.54)	430.0 (16.93)	60 (132)

AF52 Heavy Duty Slide

-Silent Soft-Closing



2

Silent Soft-Closing Ball Bearing Slides

Specifications

- **Length:** 302mm to 602mm (12" to 24")
- **Profile:** 55mm x 17.5mm
- **Travel:** Full Extension
- **Side Space:** 17.5mm (+0.5mm-0mm)
- **Height:** 54.6mm (2.15")
- **Max. Loading:** 55 kg (120 lb)/pair
- **Mount:** Side Mount
- **Disconnect:** Lever Disconnect
- **Finish:** Clear Zinc or Black
- **Material:** Cold Rolled Steel
- **Packing:** Unit Packed in 10 pairs/ carton
Bulk Packed in
20 pcs/ carton for cabinet member
80 pcs/ carton for drawer member

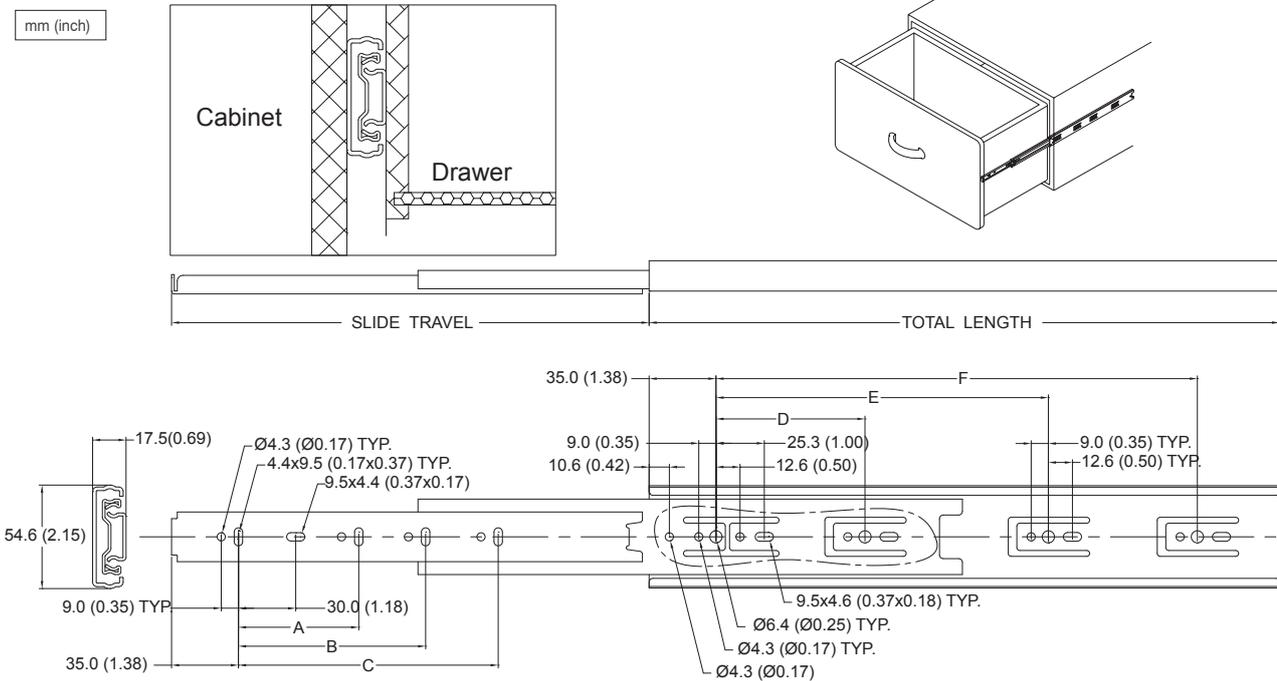
Features

- Durable damping system with fast response capability
- Enhanced silent soft-closing feature with light opening force
- Ultra smooth gliding motion with high rigidity and stability design
- 50,000 life cycles guaranteed under proper installation and normal usage

Applications

- Wide Lateral File Drawers, Large Storage Drawers and Toolbox

Dimension Specifications



Note: Holes other than those shown may be in the slide member at King Slide's option and may change without notice.

Item No.	Total Length mm (inch)	Slide Travel mm (inch)	Loading Capacity kg (lb) / pair	Holes Position mm (inch)					
				A	B	C	D	E	F
AF52-302	302.0 (11.89)	271.5 (10.69)	41 (90)	96 (3.78)	—	—	96 (3.78)	—	—
AF52-352	352.0 (13.86)	332.5 (13.09)	41 (90)	128 (5.04)	224 (08.82)	—	128 (5.04)	—	—
AF52-402	402.0 (15.83)	389.0 (15.31)	45 (100)	128 (5.04)	256 (10.08)	—	128 (5.04)	192 (07.56)	—
AF52-452	452.0 (17.80)	448.0 (17.64)	50 (110)	128 (5.04)	320 (12.60)	—	128 (5.04)	256 (10.08)	—
AF52-502	502.0 (19.76)	498.0 (19.61)	55 (120)	128 (5.04)	224 (08.82)	352 (13.86)	128 (5.04)	256 (10.08)	—
AF52-552	552.0 (21.73)	550.0 (21.65)	55 (120)	128 (5.04)	256 (10.08)	384 (15.12)	128 (5.04)	224 (08.82)	320 (12.60)
AF52-602	602.0 (23.70)	606.5 (23.88)	50 (110)	128 (5.04)	288 (11.34)	416 (16.38)	128 (5.04)	224 (08.82)	352 (13.86)

3X52 Heavy Duty Slide

-Silent Soft-Closing



Specifications

- **Length:** 302mm to 602mm (12" to 24")
- **Profile:** 54mm x 16mm
- **Travel:** Full Extension
- **Side Space:** 16mm (+0.5mm / -0mm)
- **Height:** 54mm (2.13")
- **Max. Loading:** 55 kg (120 lb)/pair
- **Mount:** Side Mount
- **Disconnect:** Lever Disconnect
- **Finish:** Clear Zinc or Black
- **Material:** Cold Rolled Steel
- **Packing:** Unit Packed in 10 pairs/carton
Bulk Packed in
20 pcs/carton for cabinet member
80 pcs/carton for drawer member

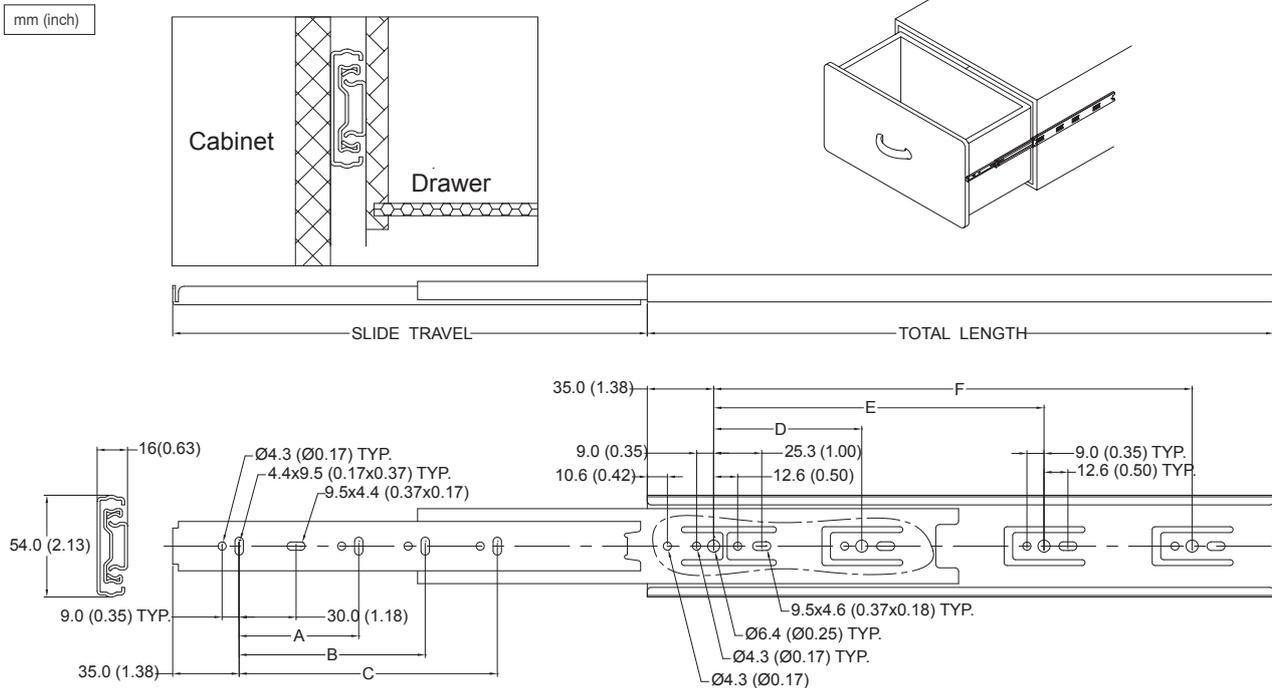
Features

- Durable damping system with fast response capability
- Enhanced silent soft-closing feature with light opening force
- Ultra smooth gliding motion with high rigidity and stability design
- 50,000 life cycles guaranteed under proper installation and normal usage

Applications

- Wide Lateral File Drawers, Large Storage Drawers and Toolbox

Dimension Specifications



Note: Holes other than those shown may be in the slide member at King Slide's option and may change without notice.

Item No.	Total Length mm (inch)	Slide Travel mm (inch)	Loading Capacity kg (lb) / pair	Holes Position mm (inch)					
				A	B	C	D	E	F
3X52-302	302.0 (11.89)	271.5 (10.69)	41 (90)	96 (3.78)	—	—	96 (3.78)	—	—
3X52-352	352.0 (13.86)	332.5 (13.09)	41 (90)	128 (5.04)	224 (08.82)	—	128 (5.04)	—	—
3X52-402	402.0 (15.83)	389.0 (15.31)	45 (100)	128 (5.04)	256 (10.08)	—	128 (5.04)	192 (07.56)	—
3X52-452	452.0 (17.80)	448.0 (17.64)	50 (110)	128 (5.04)	320 (12.60)	—	128 (5.04)	256 (10.08)	—
3X52-502	502.0 (19.76)	498.0 (19.61)	55 (120)	128 (5.04)	224 (08.82)	352 (13.86)	128 (5.04)	256 (10.08)	—
3X52-552	552.0 (21.73)	550.0 (21.65)	55 (120)	128 (5.04)	256 (10.08)	384 (15.12)	128 (5.04)	224 (08.82)	320 (12.60)
3X52-602	602.0 (23.70)	606.5 (23.88)	50 (110)	128 (5.04)	228 (11.34)	416 (16.38)	128 (5.04)	224 (08.82)	352 (13.86)

AE52 Heavy Duty Slide

-Silent Soft-Closing



2

Silent Soft-Closing Ball Bearing Slides

Specifications

- **Length:** 302mm to 602mm (12" to 24")
- **Profile:** 54mm x 12.7mm
- **Travel:** Full Extension
- **Side Space:** 13.0mm (+0.5mm / -0.3mm)
- **Height:** 54mm (2.13")
- **Max. Loading:** 55 kg (120 lb)/pair
- **Mount:** Side Mount
- **Disconnect:** Lever Disconnect
- **Finish:** Clear Zinc or Black
- **Material:** Cold Rolled steel
- **Packing:** Unit Packed in 12 pairs/ carton
Bulk Packed in
30 pcs/ carton for cabinet member
100 pcs/ carton for drawer member

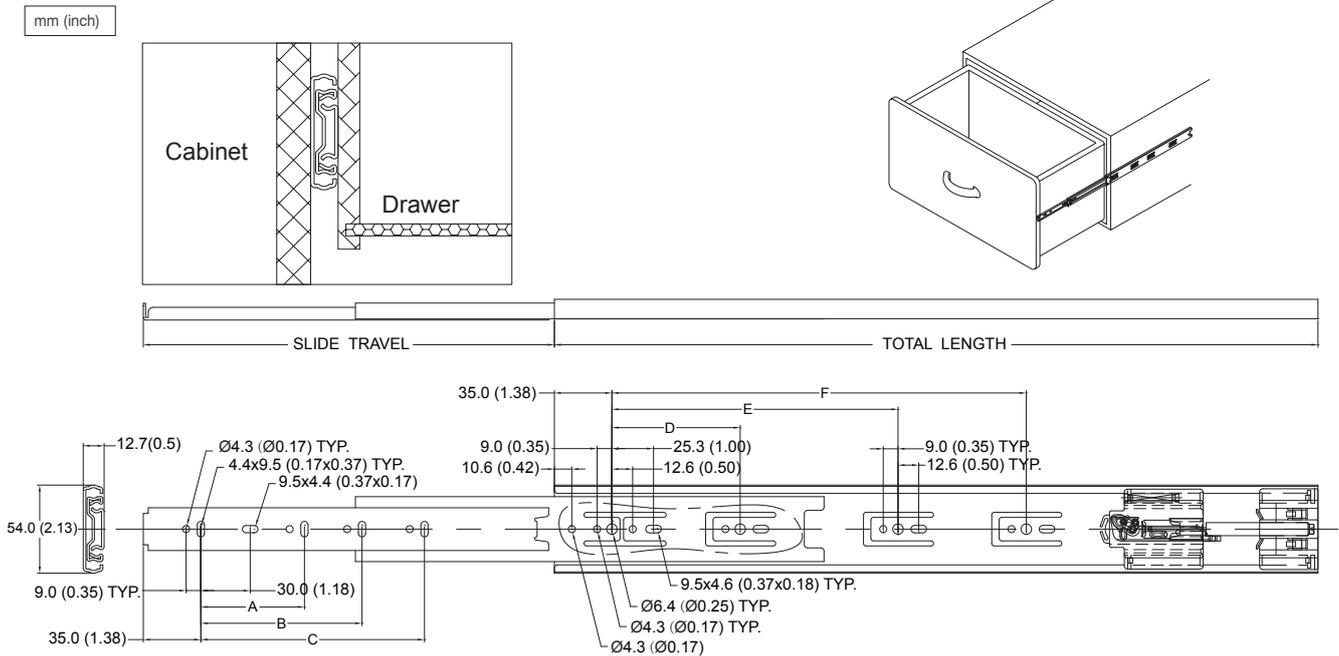
Features

- Durable damping system with fast response capability
- Enhanced silent soft-closing feature with light opening force
- Ultra smooth gliding motion with high rigidity and stability design
- 50,000 life cycles guaranteed under proper installation and normal usage

Applications

- Wide Lateral File Drawers, Large Storage Drawers and Toolbox

Dimension Specifications



Note: Holes other than those shown may be in the slide member at King Slide's option and may change without notice.

Item No.	Total Length mm (inch)	Slide Travel mm (inch)	Loading Capacity kg (lb) / pair	Holes Position mm (inch)					
				A	B	C	D	E	F
AE52-302	302.0 (11.89)	271.5 (10.69)	41 (90)	96 (3.78)	—	—	96 (3.78)	—	—
AE52-352	352.0 (13.86)	332.5 (13.09)	41 (90)	128 (5.04)	224 (08.82)	—	128 (5.04)	—	—
AE52-402	402.0 (15.83)	389.0 (15.31)	45 (100)	128 (5.04)	256 (10.08)	—	128 (5.04)	192 (07.56)	—
AE52-452	452.0 (17.80)	448.0 (17.64)	50 (110)	128 (5.04)	320 (12.60)	—	128 (5.04)	256 (10.08)	—
AE52-502	502.0 (19.76)	498.0 (19.61)	55 (120)	128 (5.04)	224 (08.82)	352 (13.86)	128 (5.04)	256 (10.08)	—
AE52-552	552.0 (21.73)	550.0 (21.65)	55 (120)	128 (5.04)	256 (10.08)	384 (15.12)	128 (5.04)	224 (08.82)	320 (12.60)
AE52-602	602.0 (23.70)	606.5 (23.88)	50 (100)	128 (5.04)	288 (11.34)	416 (16.38)	128 (5.04)	224 (08.82)	352 (13.86)

AE54 Heavy Duty Slide for Wire Basket

-Silent Soft-Closing



Specifications

- **Length:** 475mm (18.70")
- **Profile:** 54mm x 34mm
- **Travel:** Full Extension
- **Side Space:** 34mm (+0.5mm / -0mm)
- **Height:** 54mm (2.13")
- **Max. Loading:** 45 kg (100 lb)/ pair
- **Mount:** Side Mount
- **Disconnect:** Lever Disconnect
- **Finish:** Clear Zinc or Black
- **Material:** Cold Rolled Steel
- **Packing:** Unit Packed in 10 pairs/carton

Features

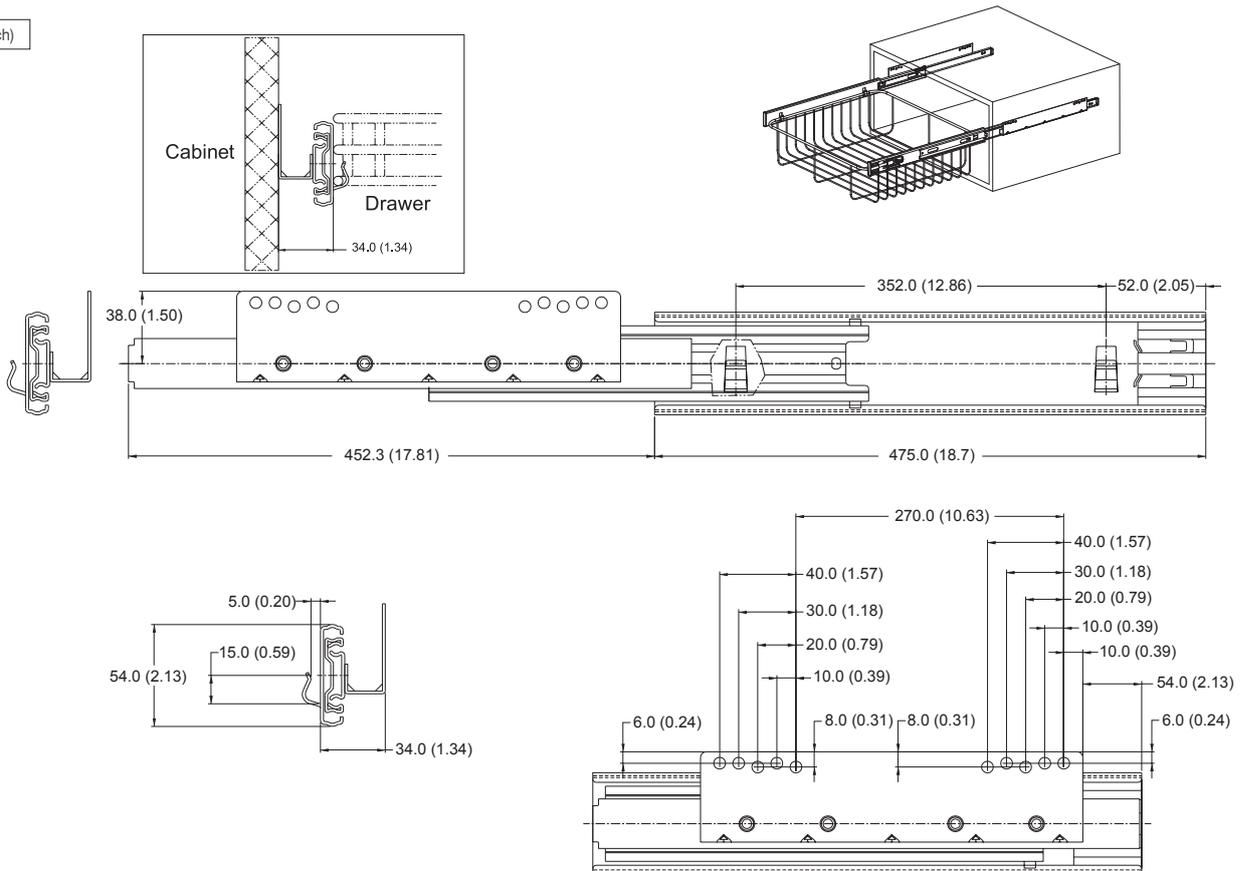
- Durable damping system with fast response capability
- Enhanced silent soft-closing feature with light opening force
- Ultra smooth gliding motion with high rigidity and stability design
- 25,000 life cycles guaranteed under proper installation and normal usage

Applications

- Wire Basket Drawers for Kitchen and Furniture, and which still needs to install the front panel

Dimension Specifications

mm (inch)



Note: Holes other than those shown may be in the slide member at King Slide's option and may change without notice.

Item No.	Total Length Tolerance: ±0.5 (0.02)	Slide Travel Tolerance: ±0.3 mm (0.12)	Loading Capacity kg (lb) / pair
AE54-475	475.0 (18.70)	452.3 (17.81)	45 (100)

AE54-487 Heavy Duty Slide for Wire Basket

-Silent Soft-Closing



2

Silent Soft-Closing Ball Bearing Slides

Specifications

- **Length:** 487mm (19.17")
- **Profile:** 54mm x 34mm
- **Travel:** Full Extension
- **Side Space:** 34mm (+0.5mm-0mm)
- **Height:** 54mm (2.13")
- **Max. Loading:** 55 kg (120 lb)/ pair
- **Mount:** Side Mount
- **Disconnect:** Lever Disconnect
- **Finish:** Clear Zinc or Black
- **Material:** Cold Rolled Steel
- **Packing:** Unit Packed in 10 pairs/carton

Features

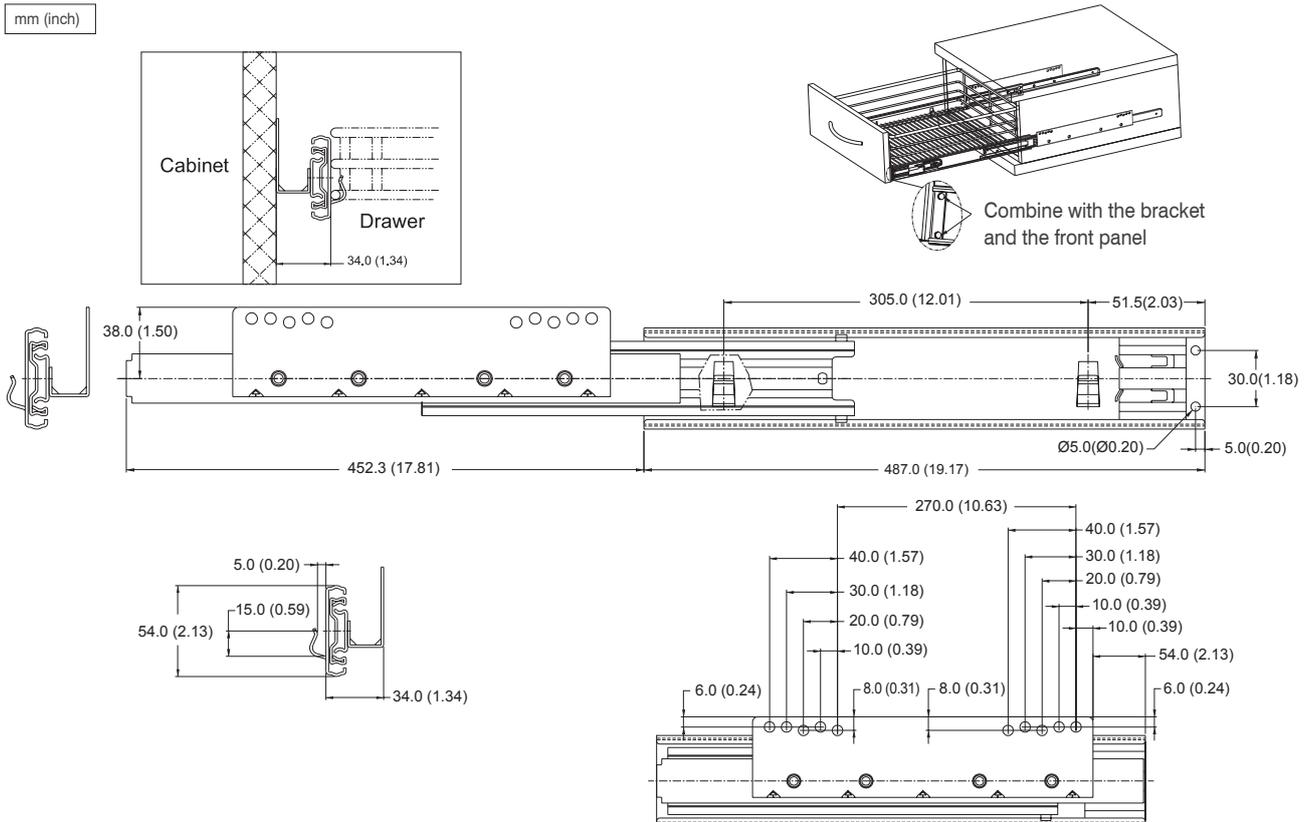
- Durable damping system with fast response capability
- Enhanced silent soft-closing feature with light opening force
- Ultra smooth gliding motion with high rigidity and stability design
- 25,000 life cycles guaranteed under proper installation and normal usage

Applications

- Wire Basket Drawers for Kitchen and Furniture, and which still needs to install the front panel

Dimension Specifications

mm (inch)



Note: Holes other than those shown may be in the slide member at King Slide's option and may change without notice.

Item No.	Total Length Tolerance: ±0.5 (0.02)	Slide Travel Tolerance: ±0.3 mm (0.12)	Loading Capacity kg (lb) / pair
AE54-487	487.0 (19.17)	452.3 (17.81)	55 (120)

AE54A

54x34.0mm,
Heavy Duty Slide for Wire Basket with
Adjustable Bracket
-Silent Soft-Closing



Specifications

- **Length:** 475mm (18.70")
- **Profile:** 54mm x 34mm
- **Travel:** Full Extension
- **Side Space:** 32mm to 36mm (+0.5mm / -0mm)
- **Height:** 54mm (2.13")
- **Max. Loading:** 55 kg (120 lb)/ pair
- **Mount:** Side Mount
- **Disconnect:** Lever Disconnect
- **Finish:** Clear Zinc or Black
- **Material:** Cold Rolled Steel
- **Packing:** Unit Packed in 10 pairs/carton

Features

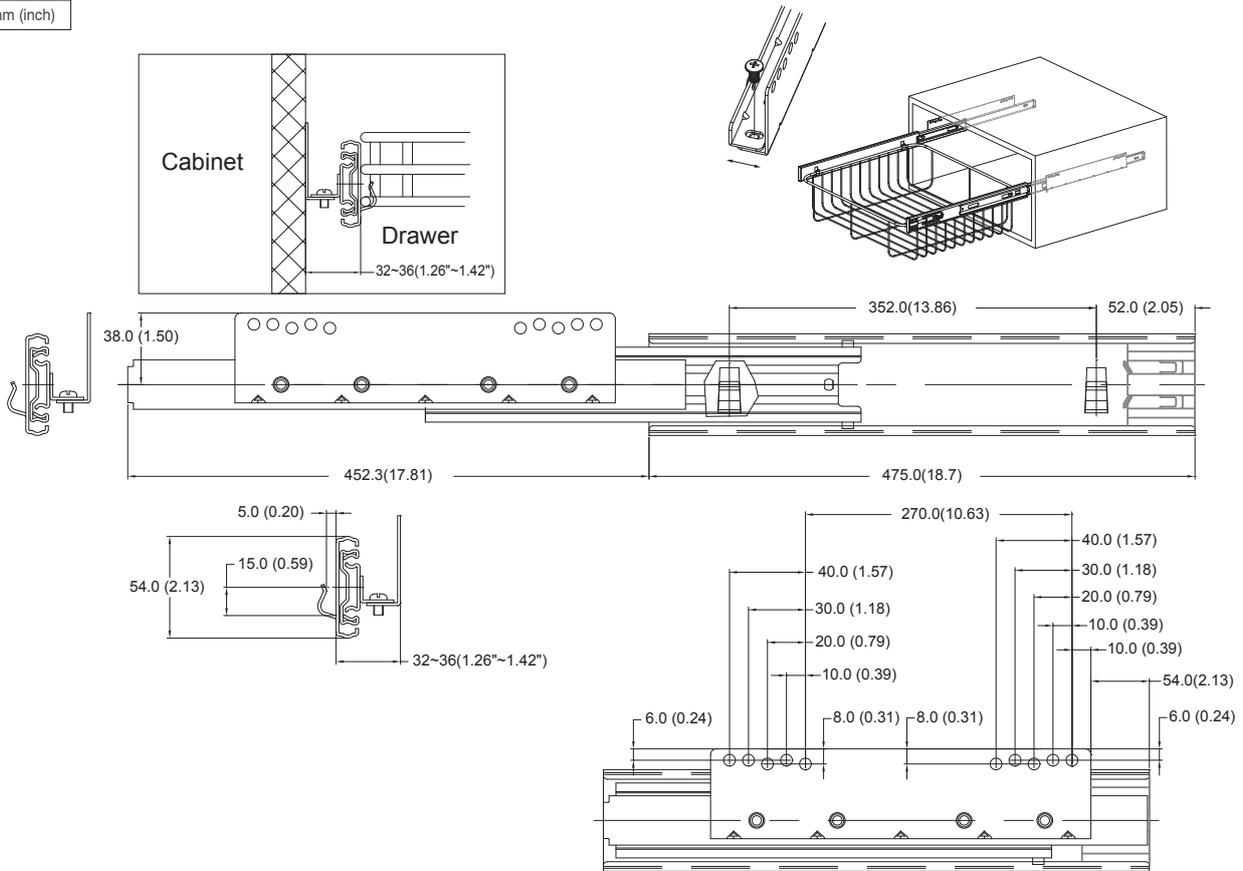
- Durable damping system with fast response capability
- Enhanced silent soft-closing feature with light opening force
- Ultra smooth gliding motion with high rigidity and stability design
- 25,000 life cycles guaranteed under proper installation and normal usage
- Unique adjustable bracket for higher allowances of side space

Applications

- Wire Basket Drawers for Kitchen and Furniture, and which still needs to install the front panel

Dimension Specifications

mm (inch)



Note: Holes other than those shown may be in the slide member at King Slide's option and may change without notice.

Item No.	Total Length Tolerance: ±0.5 (0.02)	Slide Travel Tolerance: ±0.3 mm (0.12)	Loading Capacity kg (lb) / pair
AE54A475	475.0 (18.70)	452.3 (17.81)	55 (120)

AE54A-487 Heavy Duty Slide for Wire Basket with Adjustable Bracket -Silent Soft-Closing



2

Silent Soft-Closing Ball Bearing Slides

Specifications

- **Length:** 487mm (19.17")
- **Profile:** 54mm x 34mm
- **Travel:** Full Extension
- **Side Space:** 34mm (+0.5mm / -0mm)
- **Height:** 54mm (2.13")
- **Max. Loading:** 55 kg (120 lb)/ pair
- **Mount:** Side Mount
- **Disconnect:** Lever Disconnect
- **Finish:** Clear Zinc or Black
- **Material:** Cold Rolled Steel
- **Packing:** Unit Packed in 6 pairs/carton

Features

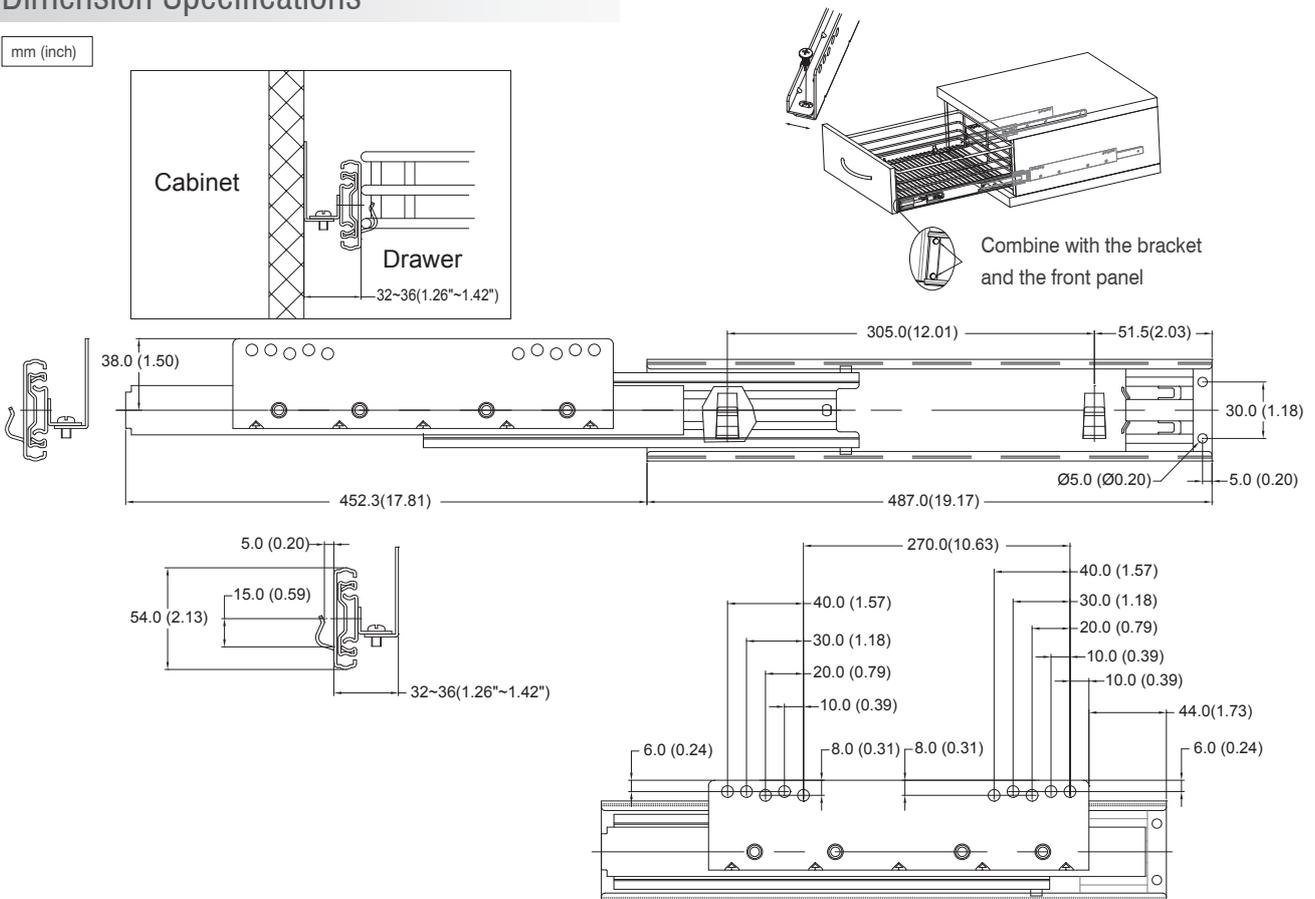
- Durable damping system with fast response capability
- Enhanced silent soft-closing feature with light opening force
- Ultra smooth gliding motion with high rigidity and stability design
- 25,000 life cycles guaranteed under proper installation and normal usage
- Unique adjustable bracket for higher allowances of side space

Applications

- Wire Basket Drawers for Kitchen and Furniture, and which still needs to install the front panel

Dimension Specifications

mm (inch)



Note: Holes other than those shown may be in the slide member at King Slide's option and may change without notice.

Item No.	Total Length Tolerance: ±0.5 (0.02)	Slide Travel Tolerance: ±0.3 mm (0.12)	Loading Capacity kg (lb) / pair
AE54A487	487.0 (19.17)	452.3 (17.81)	55 (120)



3MGCF

Door Mount Silent Soft Close Slide Kit

Door-mount bracket provides six-way adjustment for front panel alignment and easy installation

Specifications

- **Length:** 400mm to 600mm (16" to 24")
- **Travel:** Over Extension
- **Max. Load:** 34kg (75lb) / pair
- **Mount:** Side Mount
- **Disconnect:** Lever Disconnect
- **Finish:** Clear Zinc or Black

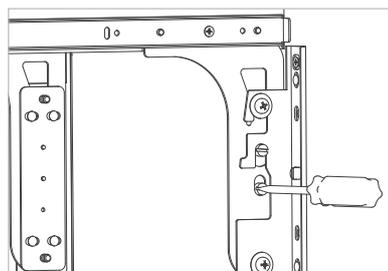
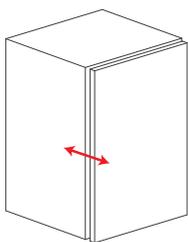


Door Mount Bracket

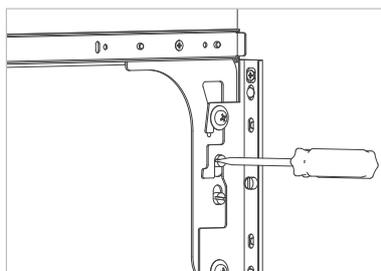
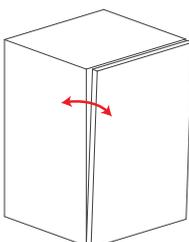
- Slot holes for screw door leveling
- 3 adjustable cams for depth, height and tilt adjustment
- Fits overlay or inset doors
- Two rear mounting brackets adjustable for various cabinet depth



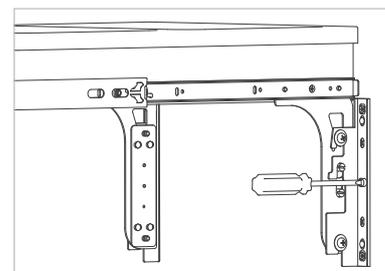
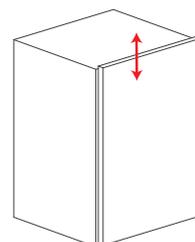
*Quick assembly



A) Depth adjustment +3mm / -3mm



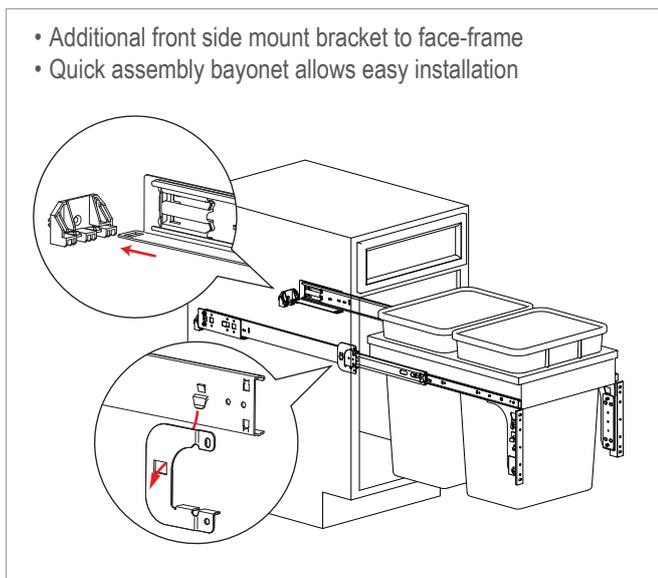
B) Tilt adjustment +1.5° / -1.5°



C) Height adjustment +3mm / -3mm

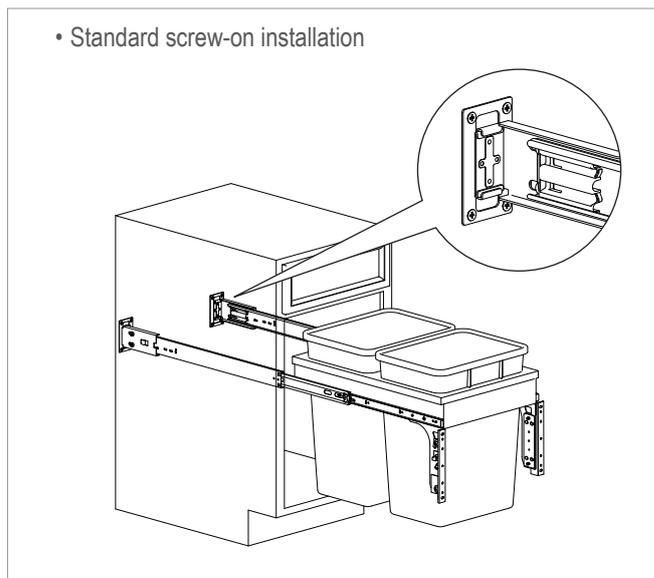
Floating Rear Bracket

- Additional front side mount bracket to face-frame
- Quick assembly bayonet allows easy installation



Rear Bracket

- Standard screw-on installation



Item No.	DESCRIPTION
3MGA	Quick Assembly Door Mount Standard Slide Kit
3MGAF	Quick Assembly Door Mount Standard Slide Kit for Face Frame
3MGB	Quick Assembly Door Mount Self Close Slide Kit
3MGBF	Quick Assembly Door Mount Self Close Slide Kit for face Frame
3MGC	Quick Assembly Door Mount Soft Close Slide Kit
3MGCF	Quick Assembly Door Mount Soft Close Slide Kit for Face Frame
3MGD	Quick Assembly Door Mount Push Open Slide Kit
3MGDF	Quick Assembly Door Mount Push Open Slide Kit for Face Frame
*Above items do not include wooden frame and plastic bin	

Item No.	DESCRIPTION
3MGE	Screw-on Door Mount Standard Slide Kit
3MGEF	Screw-on Door Mount Standard Slide Kit for Face Frame
3MGF	Screw-on Door Mount Self Close Slide Kit
3MGFF	Screw-on Door Mount Self Close Slide Kit for Face Frame
3MGG	Screw-on Door Mount Soft Close Slide Kit
3MGGF	Screw-on Door Mount Soft Close Slide Kit for Face Frame
3MGH	Screw-on Door Mount Push Open Slide Kit
3MGHF	Screw-on Door Mount Push Open Slide Kit for Face Frame
*Above items do not include wooden frame and plastic bin	

3M52 Medium Duty Slide

-Silent Soft-Closing



Specifications

- **Length:** 302mm to 702mm (12" to 28")
- **Profile:** 45mm x 12.7mm
- **Travel:** Full Extension
- **Side Space:** 13.0mm (+0.5mm-0.3mm)
- **Height:** 45.6mm (1.80")
- **Max. Loading:** 34 kg (75 lb)/pair
- **Mount:** Side Mount
- **Disconnect:** Lever Disconnect
- **Finish:** Clear Zinc or Black
- **Material:** Cold Rolled Steel
- **Packing:** Unit Packed in 15 pairs/carton
Bulk Packed in
40 pcs/carton for cabinet member
100 pcs/carton for drawer member

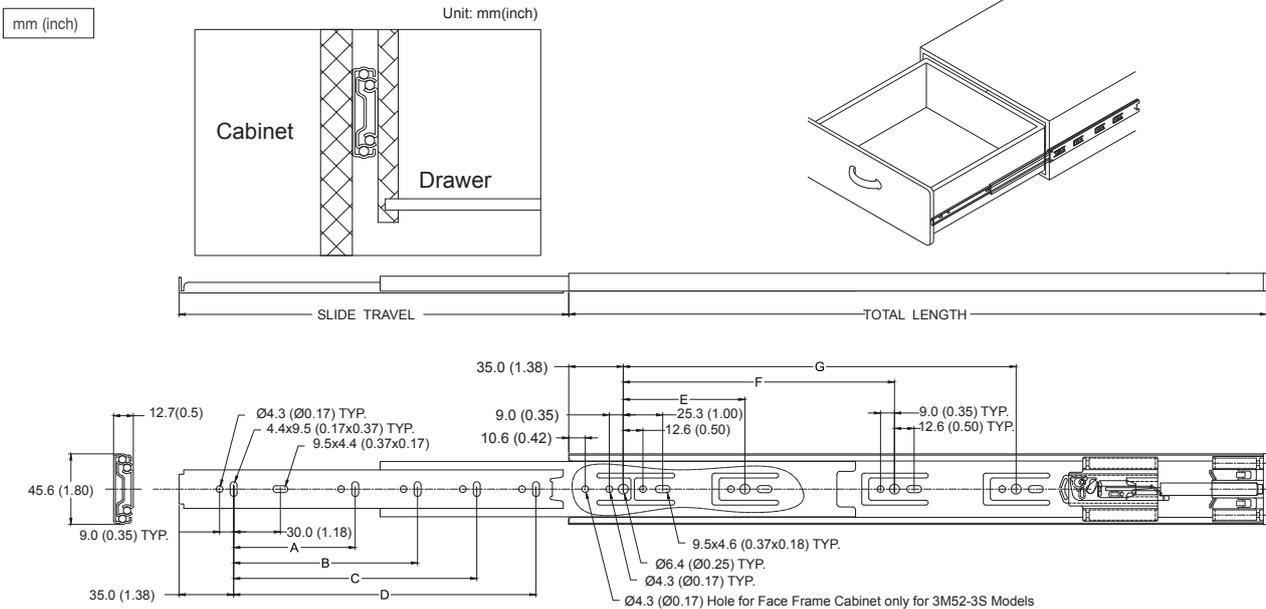
Features

- Durable damping system with fast response capability
- Enhanced silent soft-closing feature with light opening force
- Ultra smooth gliding motion with high rigidity and stability design
- 50,000 life cycles guaranteed under proper installation and normal usage

Applications

- Medical Equipment, Industrial Work Stations, Office Furniture, Kitchen Furniture, Home Cabinets and Box Drawers

Dimension Specifications



Note: Holes other than those shown may be in the slide member at King Slide's option and may change without notice.

Item No.	Total Length mm (inch)	Slide Travel mm (inch)	Loading Capacity kg (lb) / pair	Holes Position mm (inch)						
				A	B	C	D	E	F	G
3M52-300	302 (11.89)	285 (11.22)	18 (40)	96 (3.78)	—	—	—	96 (3.78)	—	—
3M52-350	352 (13.86)	345 (13.58)	25 (55)	128 (5.04)	224 (8.82)	—	—	128 (5.04)	—	—
3M52-400	402 (15.83)	400 (15.75)	29 (65)	128 (5.04)	256 (10.08)	—	—	128 (5.04)	192 (7.56)	—
3M52-400-AS	402 (15.83)	380 (15.75)	29 (65)	128 (5.04)	256 (10.08)	—	—	96 (3.78)	183 (7.20)	—
3M52-450	452 (17.80)	450 (17.72)	34 (75)	128 (5.04)	320 (12.60)	—	—	128 (5.04)	256 (10.08)	—
3M52-450-AS	452 (17.80)	450 (17.72)	34 (75)	128 (5.04)	302 (11.89)	—	—	128 (5.04)	224 (8.82)	—
3M52-500	502 (19.76)	500 (19.69)	34 (75)	128 (5.04)	224 (8.82)	352 (13.86)	—	128 (5.04)	256 (10.08)	—
3M52-550	552 (21.73)	550 (21.65)	32 (70)	128 (5.04)	256 (10.08)	384 (15.12)	—	128 (5.04)	224 (8.82)	320 (12.60)
3M52-600	602 (23.70)	600 (23.62)	32 (70)	128 (5.04)	288 (11.34)	416 (16.38)	—	128 (5.04)	224 (8.82)	352 (13.86)
3M52-650	652 (25.67)	650 (25.51)	32 (70)	128 (5.04)	288 (11.34)	416 (16.38)	480 (18.90)	128 (5.04)	256 (10.08)	416 (16.38)
3M52-700	702 (27.64)	700 (27.48)	29 (65)	128 (5.04)	320 (12.60)	448 (17.64)	544 (21.42)	128 (5.04)	320 (12.60)	480 (18.90)

Remark: Longer damper are used on 3M52-400-AS and 3M52-450-AS. Holes and travel length vary from the others.

King Slide reserves the right to alter specifications of all the products without notice. If the entity is different from the illustration, please refer to the entity.

3M52B Medium Duty Slide

-Silent Soft-Closing



2

Silent Soft-Closing Ball Bearing Slides

Specifications

- **Length:** 312mm to 612mm (12" to 24")
- **Profile:** 45mm x 12.7mm
- **Travel:** Full Extension
- **Side Space:** 13.0mm (+0.5mm-0.3mm)
- **Height:** 45.6mm (1.80")
- **Max. Loading:** 34 kg (75 lb)/pair
- **Mount:** Side Mount
- **Disconnect:** Lever Disconnect
- **Finish:** Clear Zinc or Black
- **Material:** Cold Rolled Steel
- **Packing:** Unit Packed in 15 pairs/carton
Bulk Packed in
40 pcs/carton for cabinet member
100 pcs/carton for drawer member

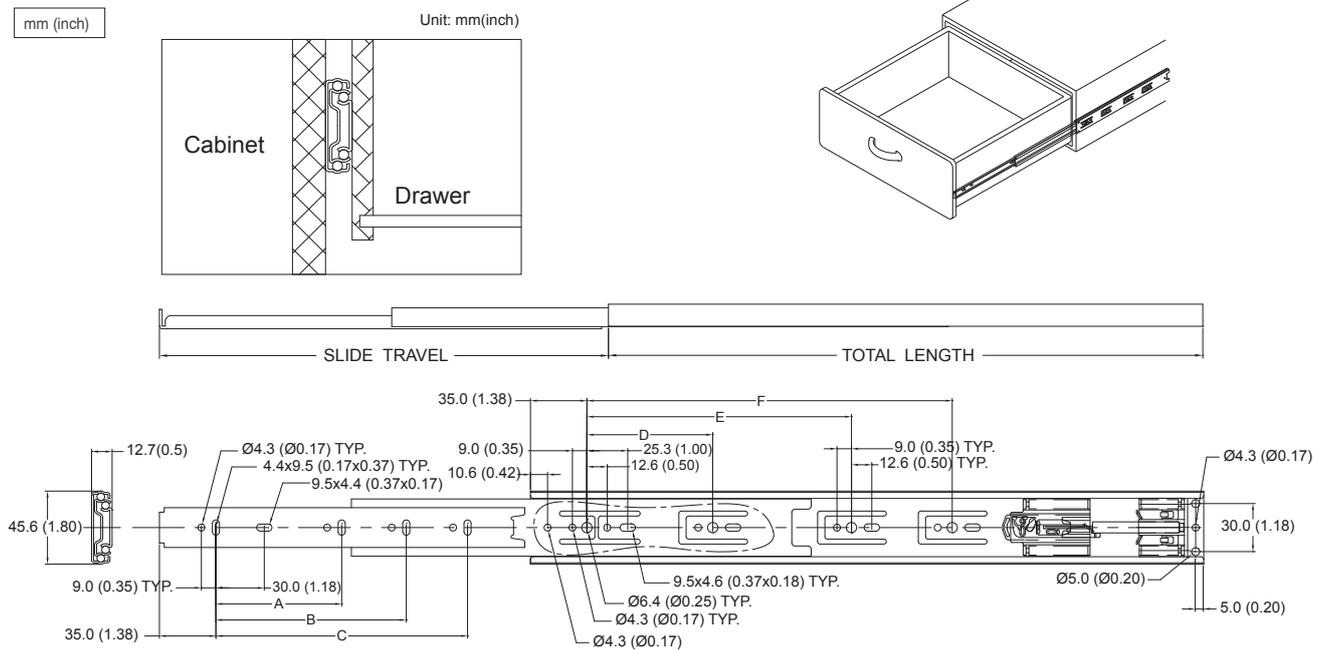
Features

- Durable damping system with fast response capability
- Enhanced silent soft-closing feature with light opening force
- Ultra smooth gliding motion with high rigidity and stability design
- 50,000 life cycles guaranteed under proper installation and normal usage

Applications

- For Face Frame or Frameless Cabinet:
Medical Equipment, Industrial Work Stations, Office Furniture, Kitchen Furniture, Home Cabinets and Box Drawers

Dimension Specifications



Note: Holes other than those shown may be in the slide member at King Slide's option and may change without notice.

Item No.	Total Length mm (inch)	Slide Travel mm (inch)	Loading Capacity kg (lb) / pair	Holes Position mm (inch)					
				A	B	C	D	E	F
3M52B312	312 (12.28)	283.0 (11.14)	18.0 (40)	96 (3.78)	—	—	96 (3.78)	—	—
3M52B362	362 (14.25)	343.0 (13.50)	25.0 (55)	128 (5.04)	224 (8.82)	—	128 (5.04)	—	—
3M52B412	412 (16.22)	398.0 (15.67)	29.5 (65)	128 (5.04)	256 (10.08)	—	128 (5.04)	192 (7.56)	—
3M52B462	462 (18.19)	448.0 (17.64)	34.0 (75)	128 (5.04)	320 (12.60)	—	128 (5.04)	256 (10.08)	—
3M52B512	512 (20.16)	498.0 (19.61)	34.0 (75)	128 (5.04)	224 (8.82)	352 (13.86)	128 (5.04)	256 (10.08)	—
3M52B562	562 (22.13)	548.0 (21.57)	32.0 (70)	128 (5.04)	256 (10.08)	384 (15.12)	128 (5.04)	224 (8.82)	320 (12.60)
3M52B612	612 (24.09)	598.0 (23.54)	32.0 (70)	128 (5.04)	288 (11.34)	416 (16.38)	128 (5.04)	224 (8.82)	352 (13.86)

3M52-0M

Silent Soft-Closing Slide with 10 lbs Pulling Force



Specifications

- **Length:** 302 to 702mm (12" to 28")
- **Profile:** 45mm x 12.7mm
- **Travel:** Full Extension
- **Side Space:** 13.0mm (+0.5mm-0.3mm)
- **Height:** 45.6mm (1.8")
- **Max. Loading:** 34 kg (75 lb)/pair
- **Mount:** Side Mount
- **Disconnect:** Lever Disconnect
- **Finish:** Clear Zinc or Black
- **Material:** Cold Rolled Steel
- **Packing:** Unit Packed in 15 pairs / carton
Bulk Packed in
40 pcs / carton for cabinet member
100pcs / carton for drawer member

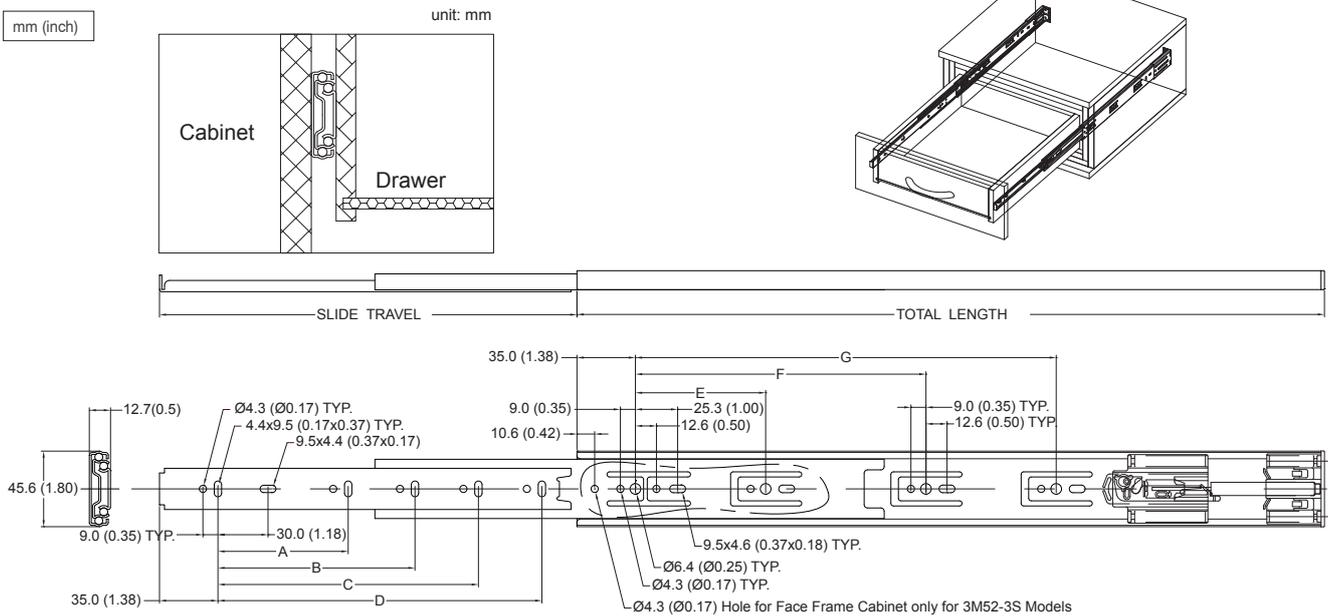
Features

- Durable damping system with fast response capability for superior silent soft-closing feature
- Enhanced opening force to prevent drawer sliding out in vibrational environment
- Ultra smooth gliding motion with high rigidity and stability design
- 50,000 life cycles guaranteed under proper installation and normal usage

Applications

- For Face Frame or Frameless Cabinet:
Recreational Vehicle, Yacht Furniture, Medical Equipment, Industrial Work Stations, Office Furniture and Box Drawers

Dimension Specifications



Note: Holes other than those shown may be in the slide member at King Slide's option and may change without notice.

Item No.	Slide Length mm (inch)	Slide Travel mm (inch)	Loading Capacity kg (lb) / pair	Holes Position mm (inch)						
				A	B	C	D	E	F	G
3M52-300-0M	302.0 (11.89)	285.0 (11.22)	18.0 (40)	96.0 (3.78)	—	—	—	96.0 (3.78)	—	—
3M52-350-0M	352.0 (13.86)	345.0 (13.58)	25.0 (55)	128.0 (5.04)	224.0 (8.82)	—	—	128.0 (5.04)	—	—
3M52-400-0M	402.0 (15.83)	400.0 (15.75)	29.5 (65)	128.0 (5.04)	256.0 (10.08)	—	—	128.0 (5.04)	192.0 (7.56)	—
3M52-450-0M	452.0 (17.80)	450.0 (17.72)	34.0 (75)	128.0 (5.04)	320.0 (12.60)	—	—	128.0 (5.04)	256.0 (10.08)	—
3M52-500-0M	502.0 (19.76)	500.0 (19.69)	34.0 (75)	128.0 (5.04)	224.0 (8.82)	352.0 (13.86)	—	128.0 (5.04)	256.0 (10.08)	—
3M52-550-0M	552.0 (21.73)	550.0 (21.65)	32.0 (70)	128.0 (5.04)	256.0 (10.08)	384.0 (15.12)	—	128.0 (5.04)	224.0 (8.82)	320.0 (12.60)
3M52-600-0M	602.0 (23.70)	600.0 (23.62)	32.0 (70)	128.0 (5.04)	288.0 (11.34)	416.0 (16.38)	—	128.0 (5.04)	224.0 (8.82)	352.0 (13.86)
3M52-650-0M	652.0 (25.67)	648.0 (25.51)	29.5 (65)	128.0 (5.04)	288.0 (11.34)	416.0 (16.38)	480.0 (18.90)	128.0 (5.04)	256.0 (10.08)	416.0 (16.38)
3M52-700-0M	702.0 (27.64)	698.0 (27.48)	29.5 (65)	128.0 (5.04)	320.0 (12.60)	448.0 (17.64)	544.0 (21.42)	128.0 (5.04)	320.0 (12.60)	480.0 (18.90)

3M52G Light-Medium Duty Slide Silent Soft Closing



2

Silent Soft-Closing Ball Bearing Slides

Specifications

- **Length:** 250mm to 602mm (9" to 24")
- **Profile:** 45mm x 12.7mm
- **Travel:** Full Extension
- **Side Space:** 13.0mm (+0.5mm /-0.3mm)
- **Height:** 45.6mm (1.80")
- **Max. Loading:** 29 kg (65 lb)/pair
- **Mount:** Side Mount
- **Disconnect:** Lever Disconnect
- **Finish:** Clear Zinc or Black
- **Material:** Cold Rolled Steel
- **Package:** Unit Package in 15 pairs/carton
Bulk Package in
40 pcs/carton for cabinet member
100 pcs/carton for drawer member

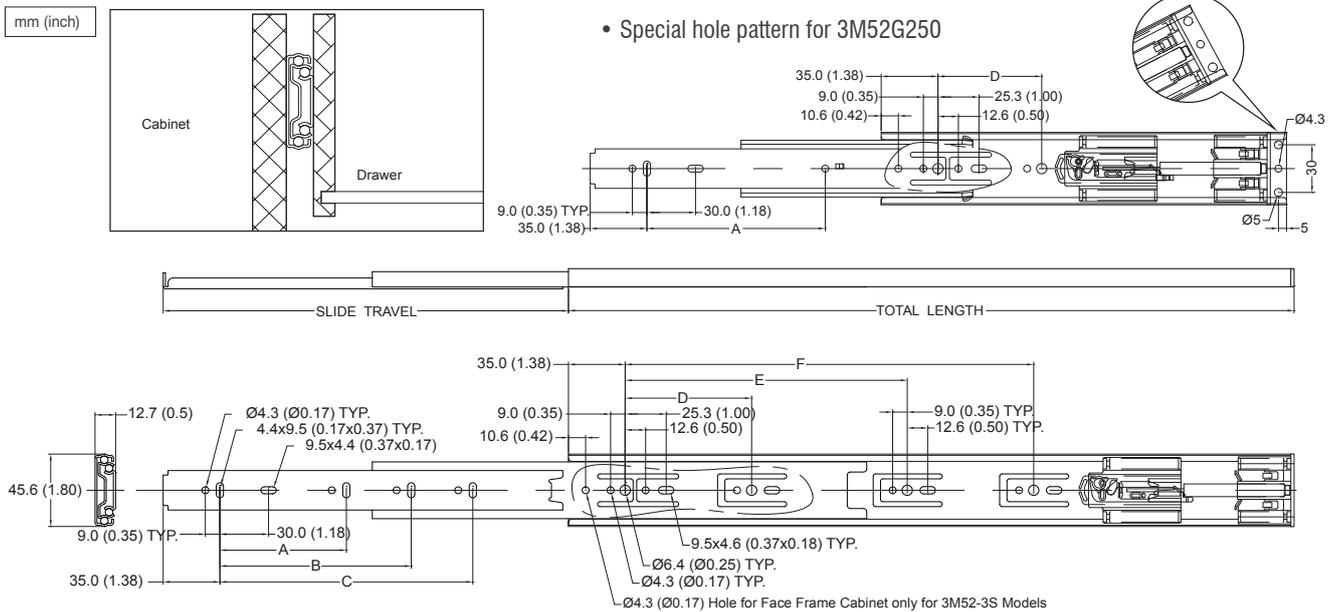
Features

- Durable damping system with fast response capability
- New silent soft-closing feature with effortless opening force
- Less opening force (0.4kgf) compared to 3M52
- 50,000 life cycles guaranteed under proper installation and normal usage

Applications

- Medical Equipment, Industrial Work Stations, Office Furniture, Kitchen Furniture, Home Cabinets and Box Drawers

Dimension Specifications



Note: Holes other than those shown may be in the slide member at King Slide's option and may change without notice.

Item No.	Total Length mm (inch)	Slide Travel mm (inch)	Loading Capacity kg (lb) / pair	Holes Position mm (inch)					
				A	B	C	D	E	F
3M52G250	250 (8.84)	179.5(7.06)	15(33)	110 (4.33)	—	—	64 (2.52)	—	—
3M52G300	302 (11.89)	285 (11.22)	17 (40)	96 (3.78)	—	—	96 (3.78)	—	—
3M52G350	352 (13.86)	345 (13.58)	23 (55)	128 (5.04)	224 (8.82)	—	128 (5.04)	—	—
3M52G400	402 (15.83)	400 (15.75)	27 (65)	128 (5.04)	256 (10.08)	—	128 (5.04)	192 (7.56)	—
3M52G400-AS	402 (15.83)	380 (15.75)	27 (65)	128 (5.04)	256 (10.08)	—	96 (3.78)	183 (7.20)	—
3M52G450	452 (17.80)	450 (17.72)	32 (75)	128 (5.04)	320 (12.60)	—	128 (5.04)	256 (10.08)	—
3M52G450-AS	452 (17.80)	450 (17.72)	32 (75)	128 (5.04)	302 (11.89)	—	128 (5.04)	224 (8.82)	—
3M52G500	502 (19.76)	500 (19.69)	32 (75)	128 (5.04)	224 (8.82)	352 (13.86)	128 (5.04)	256 (10.08)	—
3M52G550	552 (21.73)	550 (21.65)	29 (70)	128 (5.04)	256 (10.08)	384 (15.12)	128 (5.04)	224 (8.82)	320 (12.60)
3M52G600	602 (23.70)	600 (23.62)	29 (70)	128 (5.04)	288 (11.34)	416 (16.38)	128 (5.04)	224 (8.82)	352 (13.86)

Remark: Longer damper are used on 3M52-400-AS and 3M52-450-AS. Holes and travel length vary from the others.

King Slide reserves the right to alter specifications of all the products without notice. If the entity is different from the illustration, please refer to the entity.

3M56 Medium Duty Slide -Silent Soft-Closing



Specifications

- **Length:** 300mm to 600mm (12" to 24")
- **Profile:** 45mm x 12.7mm
- **Travel:** Full Extension
- **Side Space:** 13.0mm (+0.5mm-0.3mm)
- **Height:** 45.6mm (1.80")
- **Max. Loading:** 34 kg (75 lb)/pair
- **Mount:** Bottom Mount
- **Disconnect:** Lever Disconnect
- **Finish:** Clear Zinc or Black
- **Material:** Cold Rolled Steel
- **Packing:** Unit Packed in 15 pairs/carton
Bulk Packed in
40 pcs/carton for cabinet member
100 pcs/carton for drawer member

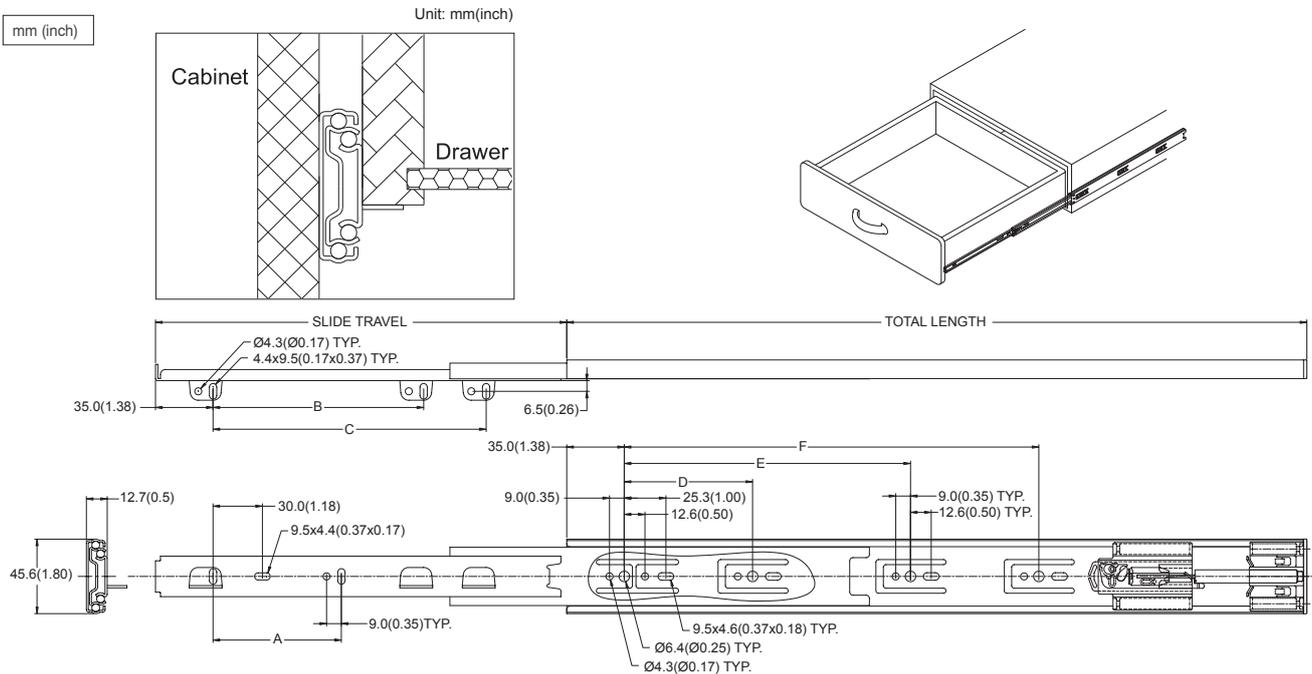
Features

- Durable damping system with fast response capability
- Enhanced silent soft-closing feature with light opening force
- Ultra smooth gliding motion with high rigidity and stability design
- 50,000 life cycles guaranteed under proper installation and normal usage

Applications

- Medical Equipment, Industrial Work Stations, Office Furniture, Kitchen Furniture, Home Cabinets and Box Drawers

Dimension Specifications



Note: Holes other than those shown may be in the slide member at King Slide's option and may change without notice.

Item No.	Total Length mm (inch)	Slide Travel mm (inch)	Loading Capacity kg (lb) / pair	Holes Position mm (inch)					
				A	B	C	D	E	F
3M56-300	302 (11.89)	285 (11.22)	18 (40)	—	—	224 (08.82)	96 (3.78)	—	—
3M56-350	352 (13.86)	345 (13.58)	25 (55)	—	128 (05.04)	288 (11.34)	128 (5.04)	—	—
3M56-400	402 (15.83)	400 (15.75)	29 (65)	—	128 (05.04)	256 (10.08)	128 (5.04)	192 (07.56)	—
3M56-450	452 (17.80)	450 (17.72)	34 (75)	—	128 (05.04)	320 (12.60)	128 (5.04)	256 (10.08)	—
3M56-500	502 (19.76)	500 (19.69)	34 (75)	128 (5.04)	224 (08.82)	352 (13.86)	128 (5.04)	256 (10.08)	—
3M56-550	552 (21.73)	550 (21.65)	32 (70)	128 (5.04)	256 (10.08)	384 (15.12)	128 (5.04)	224 (08.82)	320 (12.60)
3M56-600	602 (23.70)	600 (23.62)	32 (70)	128 (5.04)	288 (11.34)	416 (16.38)	128 (5.04)	224 (08.82)	352 (13.86)

3M57 Medium Duty Slide

-Silent Soft-Closing



2

Silent Soft-Closing Ball Bearing Slides

Specifications

- **Length:** 400mm (15.75")
- **Profile:** 45mm x 12.7mm
- **Travel:** Full Extension
- **Side Space:** 12.7mm (+0.5mm-0mm)
- **Height:** 45.6mm (1.80")
- **Max. Loading:** 29.5 kg (65 lb)/pair
- **Mount:** Side Mount
- **Disconnect:** Bayonet Disconnect
- **Finish:** Clear Zinc or Black
- **Material:** Cold Rolled Steel
- **Packing:** Unit Packed in 15 pairs/carton
Bulk Packed in
40 pcs/carton for cabinet member
100 pcs/carton for drawer member

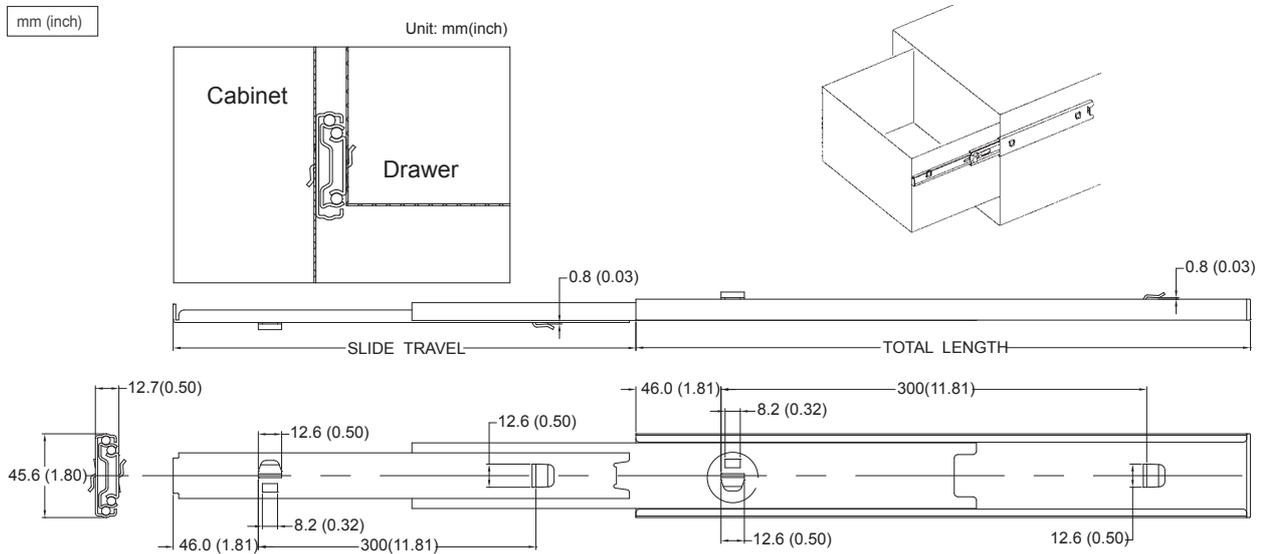
Features

- Durable damping system with fast response capability
- Enhanced silent soft-closing feature with light opening force
- Ultra smooth gliding motion with high rigidity and stability design
- 50,000 life cycles guaranteed under proper installation and normal usage

Applications

- Medical Equipment, Industrial Work Stations, Office Furniture, Kitchen Furniture, Home Cabinets and Box Drawers

Dimension Specifications



Note: Holes other than those shown may be in the slide member at King Slide's option and may change without notice.

Item No.	Total Length Tolerance: ±0.5 (0.02)	Slide Travel Tolerance: ±0.3 mm (0.12)	Loading Capacity kg (lb) / pair
3M57-400	402.0 (15.83)	400.0 (15.75)	29.5 (65)

3M54 Medium Duty Slide for Wire Basket

-Silent Soft-Closing



Specifications

- **Length:** 400mm to 475mm (16" to 19")
- **Profile:** 45.6mm x 34mm
- **Travel:** Full Extension
- **Side Space:** 34mm (+0.5mm-0mm)
- **Height:** 45.6mm (1.80")
- **Max. Loading:** 32 kg (70 lb)/pair
- **Mount:** Side Mount
- **Disconnect:** Lever Disconnect
- **Finish:** Clear Zinc or Black
- **Material:** Cold Rolled Steel
- **Packing:** Unit Packed in 6 pairs/carton

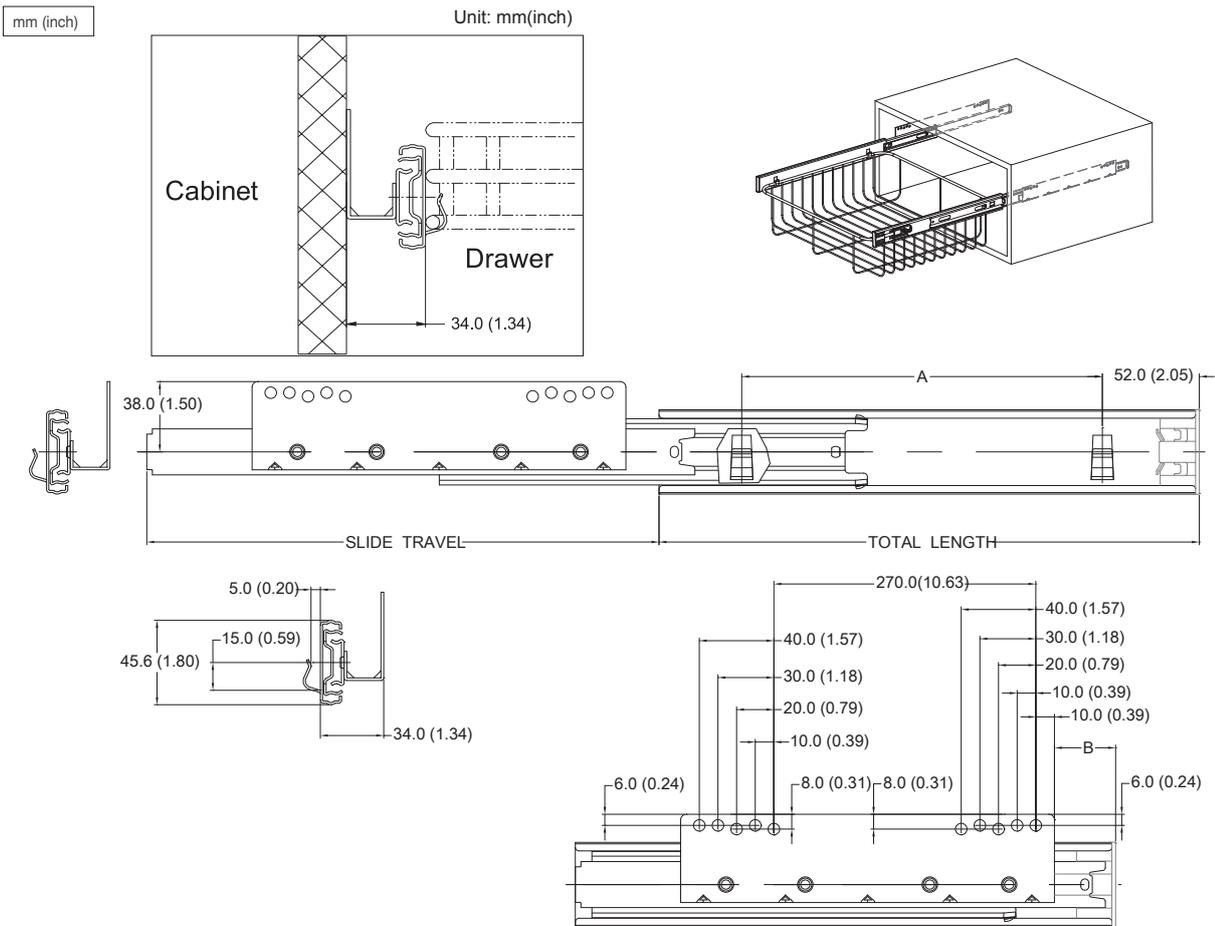
Features

- Durable damping system with fast response capability
- Enhanced silent soft-closing feature with light opening force
- Ultra smooth gliding motion with high rigidity and stability design
- 25,000 life cycles guaranteed under proper installation and normal usage

Applications

- Wire Basket Drawers for Kitchen and Furniture, and which still needs to install the front panel

Dimension Specifications



Note: Holes other than those shown may be in the slide member at King Slide's option and may change without notice.

Item No.	Total Length Tolerance: ±0.5 (0.02)	Slide Travel Tolerance: ±0.3 mm (0.12)	Loading Capacity kg (lb) / pair	Holes Position mm (inch)	
				A	B
3M54-400	402.0 (15.83)	360.0 (14.17)	32 (70)	305.0 (12.01)	52.65 (2.07)
3M54-475	477.0 (18.78)	452.3 (17.81)	32 (70)	352.0 (13.86)	54.0 (2.13)

3M54-487 Medium Duty Slide for Wire Basket

-Silent Soft-Closing



2

Silent Soft-Closing Ball Bearing Slides

Specifications

- **Length:** 487mm (19.17")
- **Profile:** 45.6mm x 34mm
- **Travel:** Full Extension
- **Side Space:** 34mm (+0.5mm-0mm)
- **Height:** 45.6mm (1.80")
- **Max. Loading:** 32 kg (70 lb)/pair
- **Mount:** Side Mount
- **Disconnect:** Lever Disconnect
- **Finish:** Clear Zinc or Black
- **Material:** Cold Rolled Steel
- **Packing:** Unit Packed in 6 pairs/carton

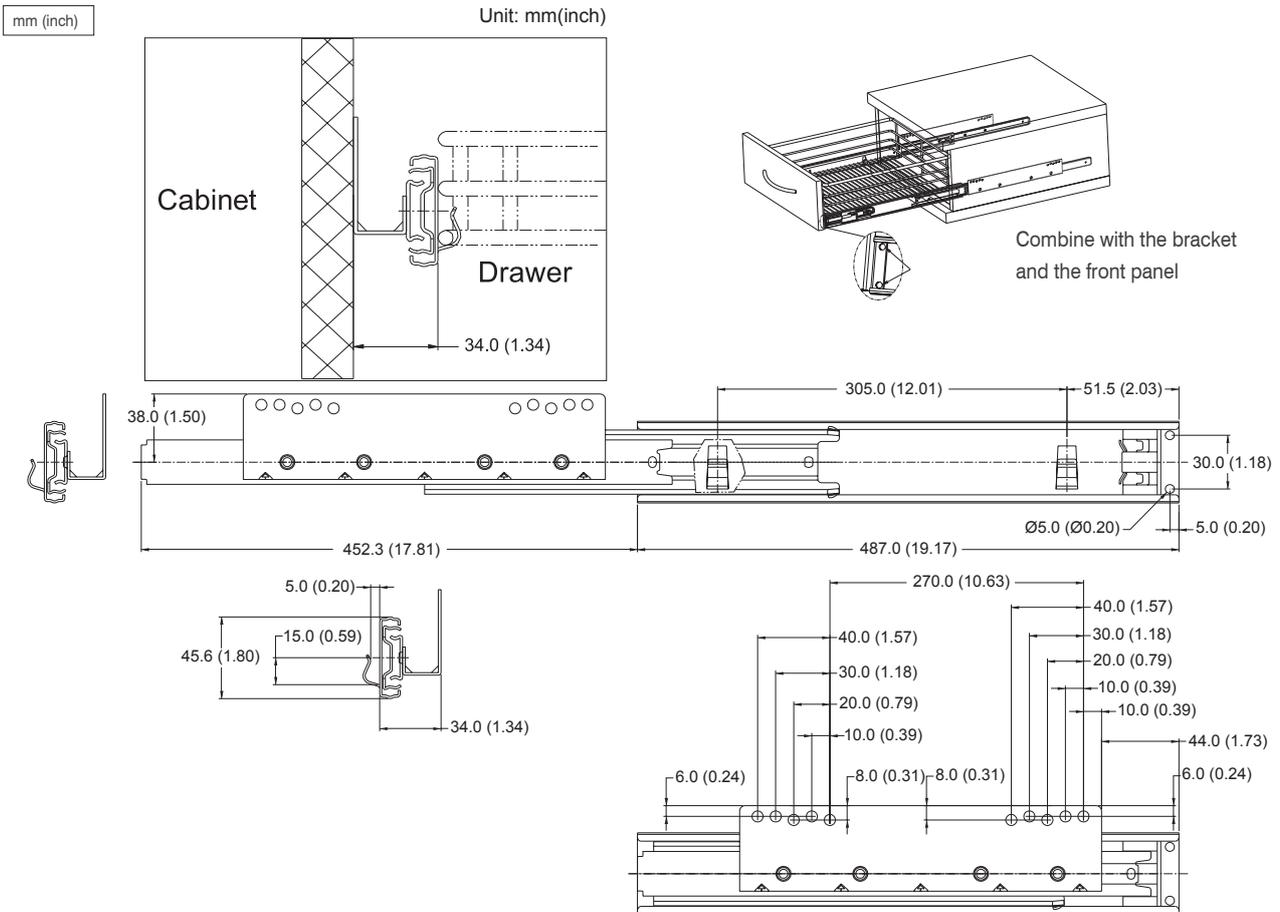
Features

- Durable damping system with fast response capability
- Enhanced silent soft-closing feature with light opening force
- Ultra smooth gliding motion with high rigidity and stability design
- 25,000 life cycles guaranteed under proper installation and normal usage

Applications

- Wire Basket Drawers for Kitchen and Furniture, and which still needs to install the front panel

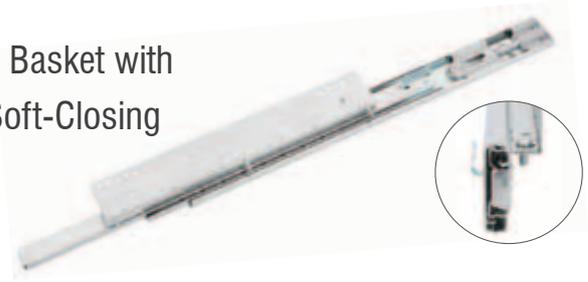
Dimension Specifications



Note: Holes other than those shown may be in the slide member at King Slide's option and may change without notice.

Item No.	Total Length Tolerance: ±0.5 (0.02)	Slide Travel Tolerance: ±0.3 mm (0.12)	Loading Capacity kg (lb) / pair
3M54-487	487 (19.17)	452.3 (17.81)	32 (70)

3M54A Medium Duty Slide for Wire Basket with Adjustable Bracket - Silent Soft-Closing



Specifications

- **Length:** 402mm to 477mm (16" to 19")
- **Profile:** 45mm x 32mm
- **Travel:** Full Extension
- **Side Space:** 32 to 36mm (+0.5mm-0mm)
- **Height:** 45.6mm (1.80")
- **Max. Loading:** 32 kg (70 lb)/pair
- **Mount:** Side Mount
- **Disconnect:** Lever Disconnect
- **Finish:** Clear Zinc or Black
- **Material:** Cold Rolled Steel
- **Packing:** Unit Packed in 6 pairs/carton

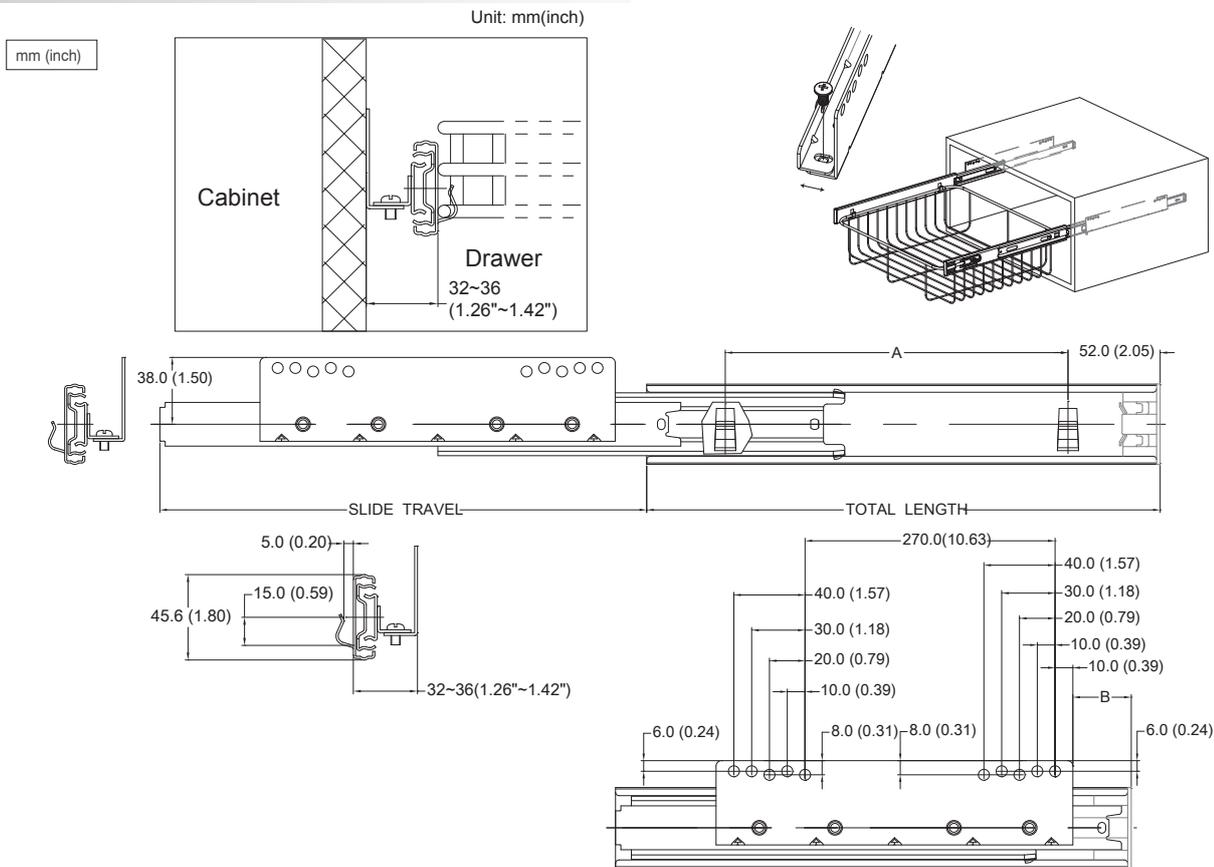
Features

- Durable damping system with fast response capability
- Enhanced silent soft-closing feature with light opening force
- Ultra smooth gliding motion with high rigidity and stability design
- 25,000 life cycles guaranteed under proper installation and normal usage
- Unique adjustable bracket for higher allowances of side space

Applications

- Wire Basket Drawers for Kitchen and Furniture, and which still needs to install the front panel

Dimension Specifications



Note: Holes other than those shown may be in the slide member at King Slide's option and may change without notice.

Item No.	Total Length Tolerance: ±0.5 (0.02)	Slide Travel Tolerance: ±0.3 mm (0.12)	Loading Capacity kg (lb) / pair	Holes Position mm (inch)	
				A	B
3M54A400	402.0 (15.83)	360.0 (14.17)	32 (70)	305.0 (12.01)	52.65 (2.07)
3M54A475	477.0 (18.78)	452.3 (17.81)	32 (70)	352.0 (13.86)	54.0 (2.13)

3M54A487

Medium Duty Slide for Wire Basket
with Adjustable Bracket
-Silent Soft-Closing



2

Silent Soft-Closing Ball Bearing Slides

Specifications

- **Length:** 487mm (19.17")
- **Profile:** 45mm x 34mm
- **Travel:** Full Extension
- **Side Space:** 32~36mm (+0.5mm-0mm)
- **Height:** 45.6mm (1.80")
- **Max. Loading:** 32 kg (70 lb)/pair
- **Mount:** Side Mount
- **Disconnect:** Lever Disconnect
- **Finish:** Clear Zinc or Black
- **Material:** Cold Rolled Steel
- **Packing:** Unit Packed in 6 pairs/carton

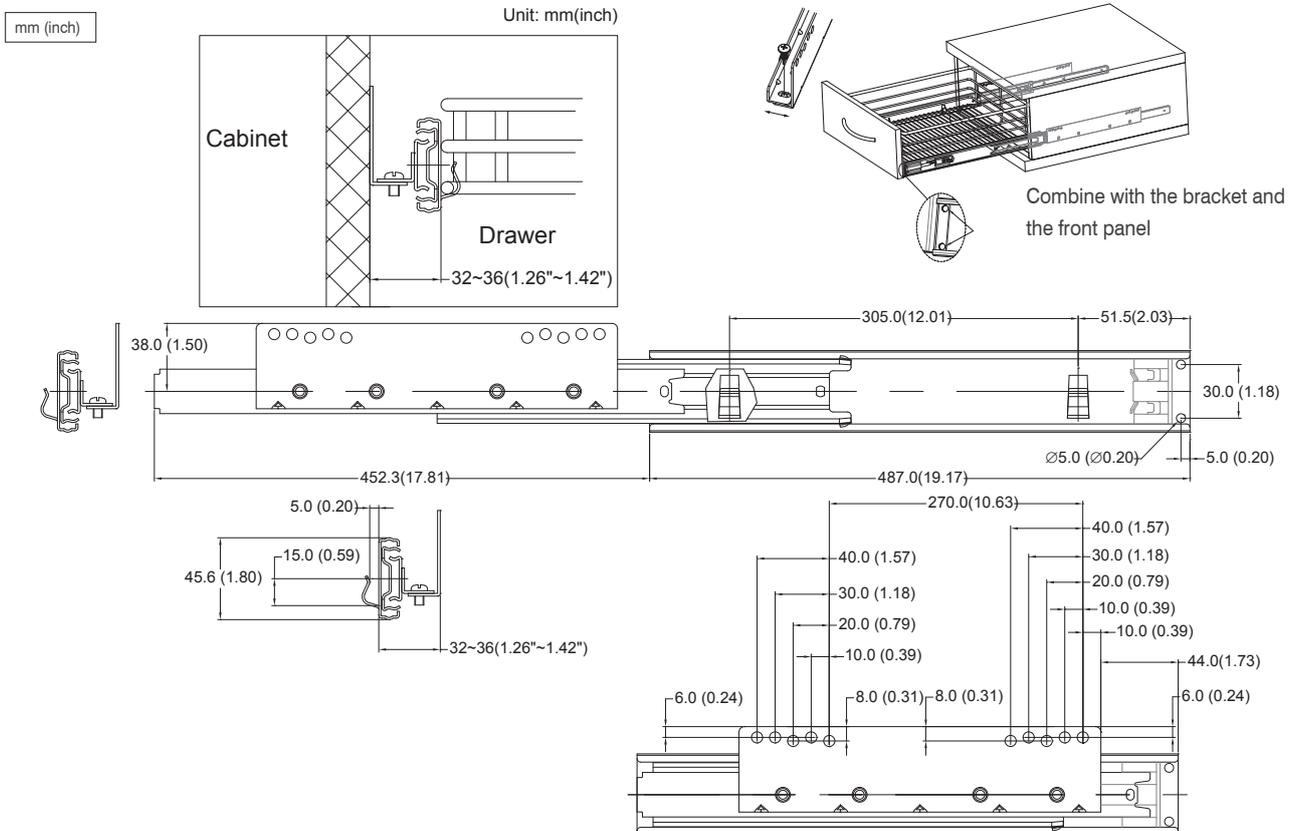
Features

- Durable damping system with fast response capability
- Enhanced silent soft-closing feature with light opening force
- Ultra smooth gliding motion with high rigidity and stability design
- 25,000 life cycles guaranteed under proper installation and normal usage
- Unique adjustable bracket for higher allowances of side space

Applications

- Wire Basket Drawers for Kitchen and Furniture, and which still needs to install the front panel

Dimension Specifications



Note: Holes other than those shown may be in the slide member at King Slide's option and may change without notice.

Item No.	Total Length Tolerance: ±0.5 (0.02)	Slide Travel Tolerance: ±0.3 mm (0.12)	Loading Capacity kg (lb) / pair
3M54A487	487.0 (19.17)	452.3 (17.81)	32 (70)

3J52 Light Duty Slide

-Silent Soft-Closing



Specifications

- **Length:** 300mm to 600mm (12" to 24")
- **Profile:** 37mm x 12.7mm
- **Travel:** Full Extension
- **Side Space:** 13.0mm (+0.5mm-0.3mm)
- **Height:** 37.2mm (1.46")
- **Max. Loading:** 23 kg (50 lb)/pair
- **Mount:** Side Mount
- **Disconnect:** Clip Disconnect
- **Finish:** Clear Zinc or Black
- **Material:** Cold Rolled Steel
- **Packing:** Unit Packed in 16 pairs/carton
Bulk Packed in
40 pcs/carton for cabinet member
100 pcs/carton for drawer member

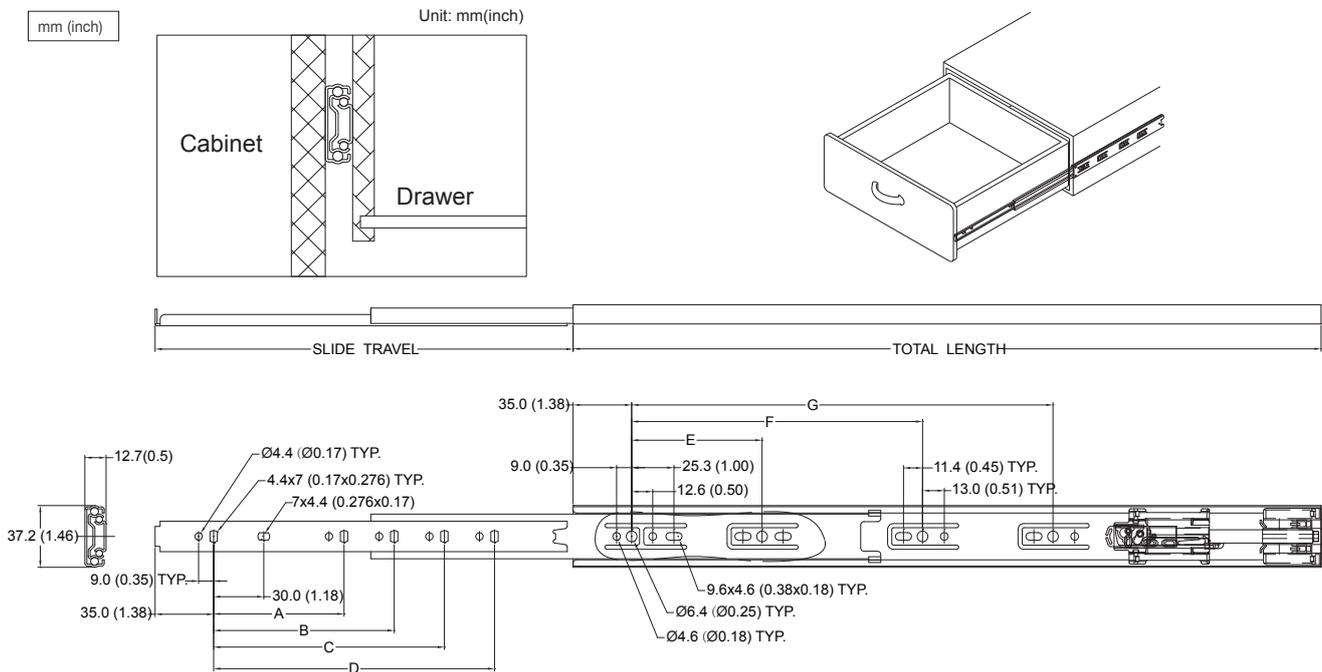
Features

- Durable damping system with fast response capability
- Enhanced silent soft-closing feature with light opening force
- Ultra smooth gliding motion with high rigidity and stability design
- 50,000 life cycles guaranteed under proper installation and normal usage

Applications

- Home Cabinets, Box Drawers, Desk and Storage Drawers and File Drawers

Dimension Specifications



Note: Holes other than those shown may be in the slide member at King Slide's option and may change without notice.

Specific hole ○ ↗ ▲

Item No.	Total Length mm (inch)	Slide Travel mm (inch)	Loading Capacity kg (lb) / pair	Holes Position mm (inch)						
				A	B	C	D	E	F	G
3J52-300	300.0 (11.81)	285.0 (11.22)	16.0 (35.0)	87.0 (3.42) ▲	—	—	—	96.0 (3.78)	—	—
3J52-350	350.0 (13.78)	345.0 (13.58)	18.0 (40.0)	128.0 (5.04)	215.0 (08.47) ▲	—	—	128.0 (5.04)	—	—
3J52-400	400.0 (15.75)	400.0 (15.75)	20.0 (45.0)	128.0 (5.04)	256.0 (10.08)	—	—	128.0 (5.04)	192.0 (07.56)	—
3J52-450	450.0 (17.72)	450.0 (17.72)	23.0 (50.0)	128.0 (5.04)	320.0 (12.60)	—	—	128.0 (5.04)	256.0 (10.08)	—
3J52-500	500.0 (19.69)	500.0 (19.69)	23.0 (50.0)	128.0 (5.04)	224.0 (08.82)	352 (13.86)	—	128.0 (5.04)	256.0 (10.08)	—
3J52-550	550.0 (21.65)	550.0 (21.65)	20.0 (45.0)	128.0 (5.04)	224.0 (08.82)	384 (15.12)	—	128.0 (5.04)	224.0 (08.82)	320 (12.60)
3J52-600	600.0 (23.62)	600.0 (23.62)	18.0 (40.0)	128.0 (5.04)	256.0 (10.08)	384 (15.12)	448.0 (17.64)	128.0 (5.04)	224.0 (08.82)	352 (13.86)

