



Headed Guide Bushes to DIN 9831/ISO 9448-6 Steel, with bronze coated internal bore



Empty rectangular box for text or information.



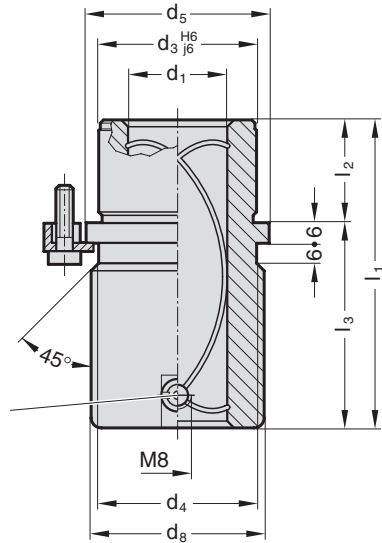
Large empty rounded rectangular box for text or information.



2081.81.
2081.84.
2081.85.

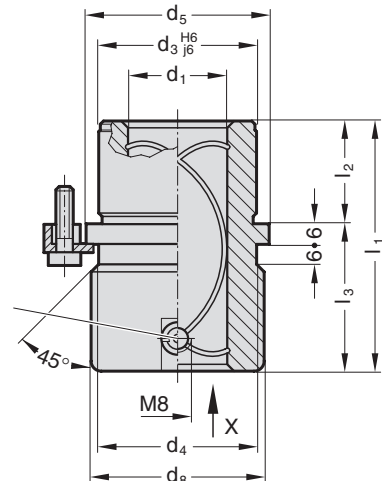
Headed Guide Bushes to DIN 9831/ISO 9448-6, Steel, with bronze coated internal bore

2081.81.



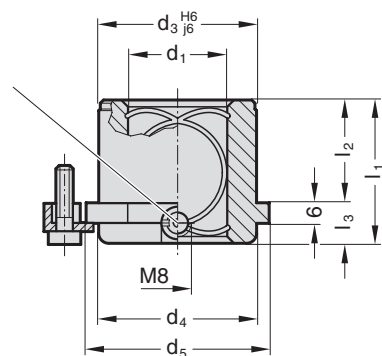
Grease nipple
with thread
DIN 3405 - A M8×1

2081.84.



Grease nipple
with thread
DIN 3405 - A M8×1

2081.85.

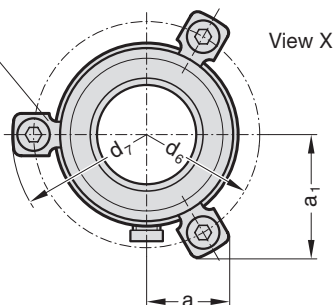


Grease nipple
with thread
DIN 3405 - A M8×1

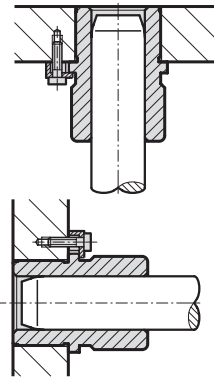
207.45

Order no. for replacement parts

Screw clamp
with cap screws
M6 × 20 similar
DIN 6912,
head Ø13,
(four clamps for size
Ød₁ = 38 mm and over)



Mounting Examples



Note:

Headed Guide Bushes are to be held in H6-retainer bores. Three screw clamps are provided for fixing; sizes d₁ = 38 mm and over have four.

Guide pairing:

We recommend the use of guide pillars from pairing class .20/.30
Notes on Sliding- and Ball Bearing Guides: see catalogue page D7.
Guide Pillars: see catalogue pages D12, D15, D16, D17, D19, D21.
These guide bushes are supplied complete with clamps and low-head socket cap screws similar DIN 6912, head Ø 13.

Material: 1.0503 induction hardened to 500+100 HV 10.

Execution: Bronze coated internal bore.
Diameter d₃ and collar face precision ground.

Ordering code (example):

Headed guide bush = 2081.81.
d₁ = 40 mm = 040
Order no = 2081.81.040

2081.81.

d ₁	19	20	24	25	30	32	38	40	48	50	60	63	80
tol.	+0,012	+0,012	+0,012	+0,015	+0,015	+0,015	+0,015	+0,015	+0,015	+0,018	+0,018	+0,018	+0,018
	+0,003	+0,003	+0,004	+0,004	+0,004	+0,004	+0,004	+0,004	+0,005	+0,005	+0,005	+0,005	+0,005
d ₃	32	40	48	58	70	85	105						
d ₄	32	40	48	58	70	85	105						
d ₅	40	48	56	66	80	95	118						
d ₆	52	60	67	77	91	106	129						
d ₇	64,7	72,7	79,7	89,7	103,7	118,7	141,7						
d ₈	39	46	53	63	77	92	115						
a	20,7	22,65	24,4	35,3	40,2	45,5	54,5						
a ₁	30	33,4	36,4	35,3	40,2	45,5	54,5						
l ₁	59	79	93	108	127	150	150						
l ₂	23	23	30	37	47	60	60						
l ₃	36	56	63	71	80	90	90						

2081.84.

d ₁	19	20	24	25	30	32	38	40	48	50	60	63	80
tol.	+0,012	+0,012	+0,012	+0,015	+0,015	+0,015	+0,015	+0,015	+0,015	+0,018	+0,018	+0,018	+0,018
	+0,003	+0,003	+0,004	+0,004	+0,004	+0,004	+0,004	+0,004	+0,005	+0,005	+0,005	+0,005	+0,005
l ₁	43	59	75	82	97	116	120						
l ₂	23	23	30	37	47	60	60						
l ₃	20	36	45	45	50	56	60						

2081.85.

d ₁	19	20	24	25	30	32	38	40	48	50	60	63	80
tol.	+0,012	+0,012	+0,012	+0,015	+0,015	+0,015	+0,015	+0,015	+0,015	+0,018	+0,018	+0,018	+0,018
	+0,003	+0,003	+0,004	+0,004	+0,004	+0,004	+0,004	+0,004	+0,005	+0,005	+0,005	+0,005	+0,005
l ₁	35	35	42	52	65	80	80						
l ₂	23	23	30	37	47	60	60						
l ₃	12	12	12	15	18	20	20						



FIBRO GmbH



Standard Parts

Postfach 1120
D-74851 Hassmersheim

August-Läpple-Weg
D-74855 Hassmersheim

Phone +49 62 66-73-0*
Fax +49 62 66-73-139

e-mail: info@fibro.de
[http://www.fibro.de /com](http://www.fibro.de/com)



Indexing Tables

Postfach 1120
D-74183 Weinsberg

Weidachstrasse 41 – 43
D-74189 Weinsberg

Phone +49 71 34-73-0*
Fax +49 71 34-73-120

e-mail: info@fibro.de
<http://www.fibro.de /com>



Automation+Robotics

Postfach 1120
D-74851 Hassmersheim

August-Läpple-Weg
D-74855 Hassmersheim

Phone +49 62 66-73-0*
Fax +49 62 66-73-213

e-mail: info@fibro.de
<http://www.fibro.de /com>



FIBRO SARL

BP no 129
93172 Bagnolet Cedex

19/21, rue Jean Lolive
93170 Bagnolet

Téléphone 01 43 62 18 81
Télécopieur 01 48 59 17 47

e-mail: info@fibro.fr
<http://www.fibro.fr>



FIBRO Inc.

P. O. Box 5924
Rockford, IL 61125

139 Harrison Avenue
Rockford, IL 61104

Phone 815-229 1300
Fax 815-226 1765

e-mail: info@fibroinc.com
<http://www.fibro.com>



FIBRO ASIA Pte.Ltd.

121 Genting Lane
2nd floor
Singapore 349572

Phone +65-846 33 03
Fax +65-846 33 02

e-mail: fibro@pacific.net.sg
<http://www.fibro.com>